



US00D747421S

(12) **United States Design Patent**
Connor, Jr.

(10) **Patent No.:** **US D747,421 S**
(45) **Date of Patent:** **** Jan. 12, 2016**

(54) **COMPONENT FOR A TOY CONSTRUCTION SET**

(71) Applicant: **Michael James Connor, Jr.**, San Diego, CA (US)

(72) Inventor: **Michael James Connor, Jr.**, San Diego, CA (US)

(**) Term: **14 Years**

(21) Appl. No.: **29/497,089**

(22) Filed: **Jul. 21, 2014**

(51) **LOC (10) Cl.** **21-01**

(52) **U.S. Cl.**
USPC **D21/501**

(58) **Field of Classification Search**
USPC D21/333, 373, 386, 389, 404, 468, 470, D21/471, 475, 484-505; 446/69, 85, 446/102-128; 434/167, 208, 259, 403; 273/153, 156, 160; D3/304, 314; D24/101; D9/640; 220/23.4; 40/720
CPC A63H 33/04; A63H 33/06; A63H 33/062; A63H 33/08; A63H 33/084; A63H 33/088; A63F 9/12; A63F 9/1224

See application file for complete search history.

(56) **References Cited**

U.S. PATENT DOCUMENTS

3,882,630	A *	5/1975	Bianco	446/106
4,182,072	A *	1/1980	Much	446/115
D394,465	S *	5/1998	Schmidt	D21/501
5,826,394	A *	10/1998	Barton et al.	52/592.1
D403,028	S *	12/1998	Barton et al.	D21/486
D581,986	S *	12/2008	Evitt	D20/43
D600,291	S *	9/2009	Christensen et al.	D21/501
D610,628	S *	2/2010	Christensen et al.	D21/502
D689,956	S *	9/2013	Chan	D21/501
2002/0115374	A1 *	8/2002	Lavender	446/85

* cited by examiner

Primary Examiner — Cynthia M Chin

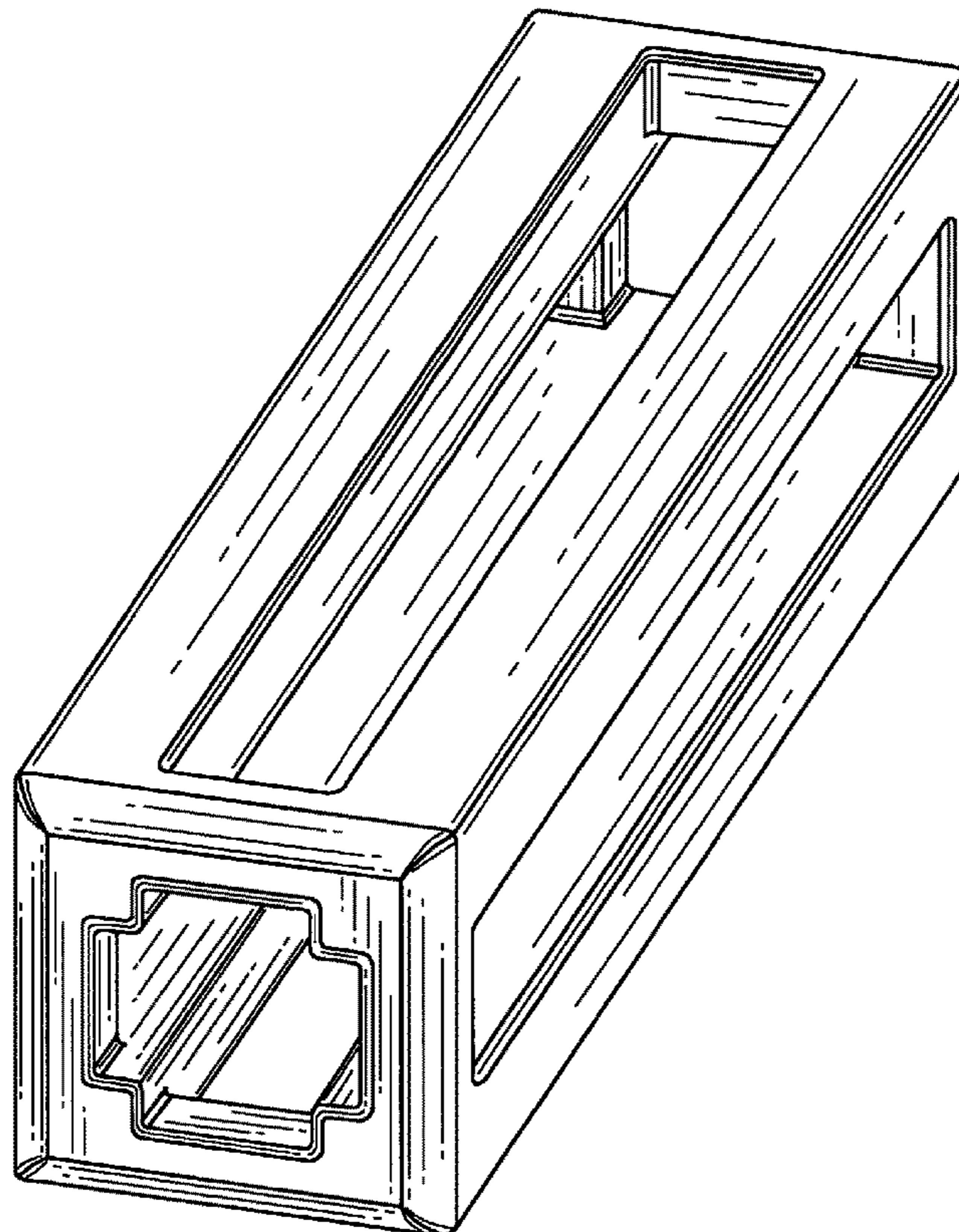
(57) **CLAIM**

The ornamental design for a component for a toy construction set, as shown and described.

DESCRIPTION

FIG. 1 is a perspective view of a component for a toy construction set; FIG. 2 is a front view of the component for a toy construction set of FIG. 1, the rear view being identical; and FIG. 3 is a first side view of the component for a toy construction set of FIG. 1, the second side view being identical; and, FIG. 4 is a top view of the component for a toy construction set of FIG. 1, the bottom view being identical.

1 Claim, 4 Drawing Sheets



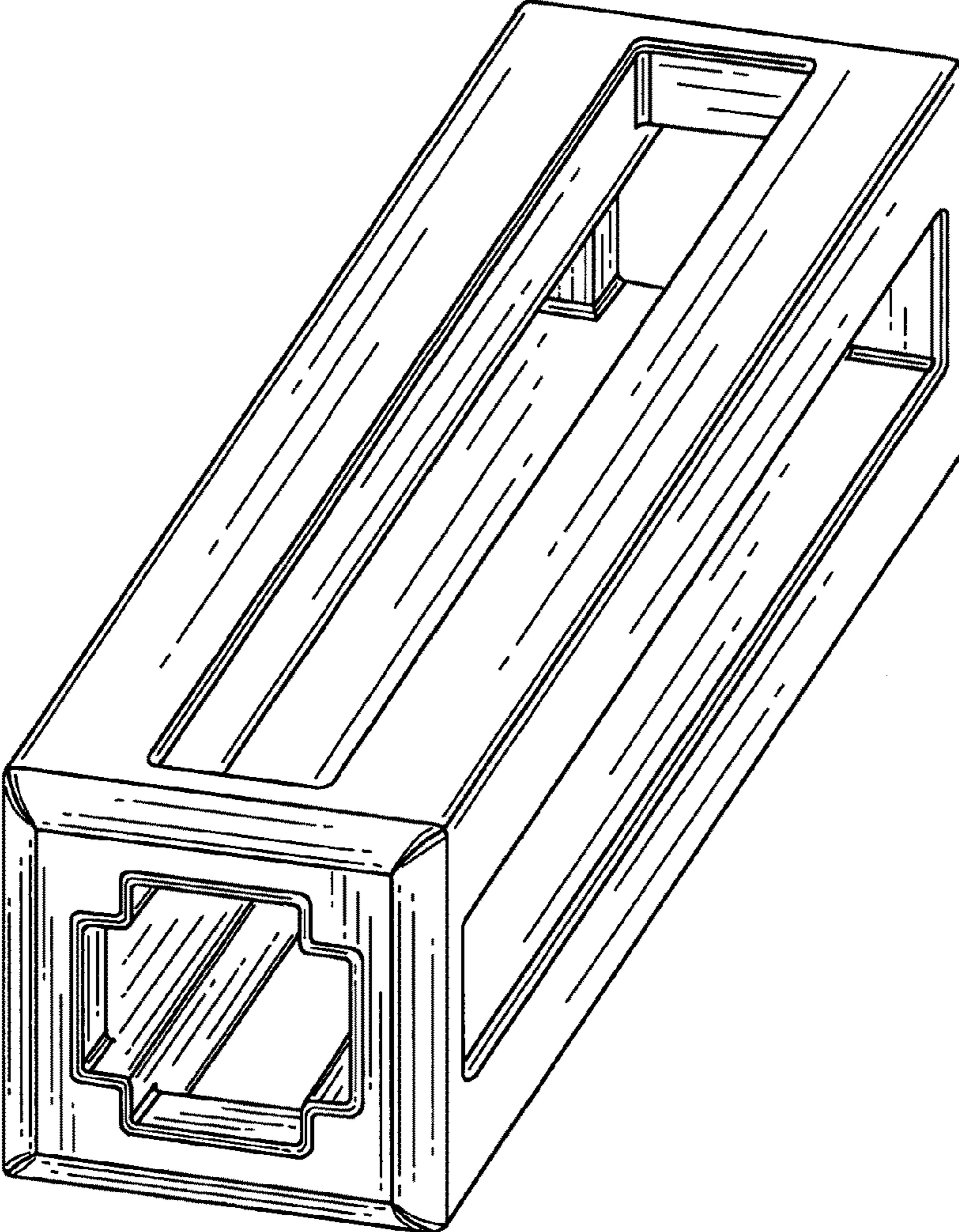


Fig. 1

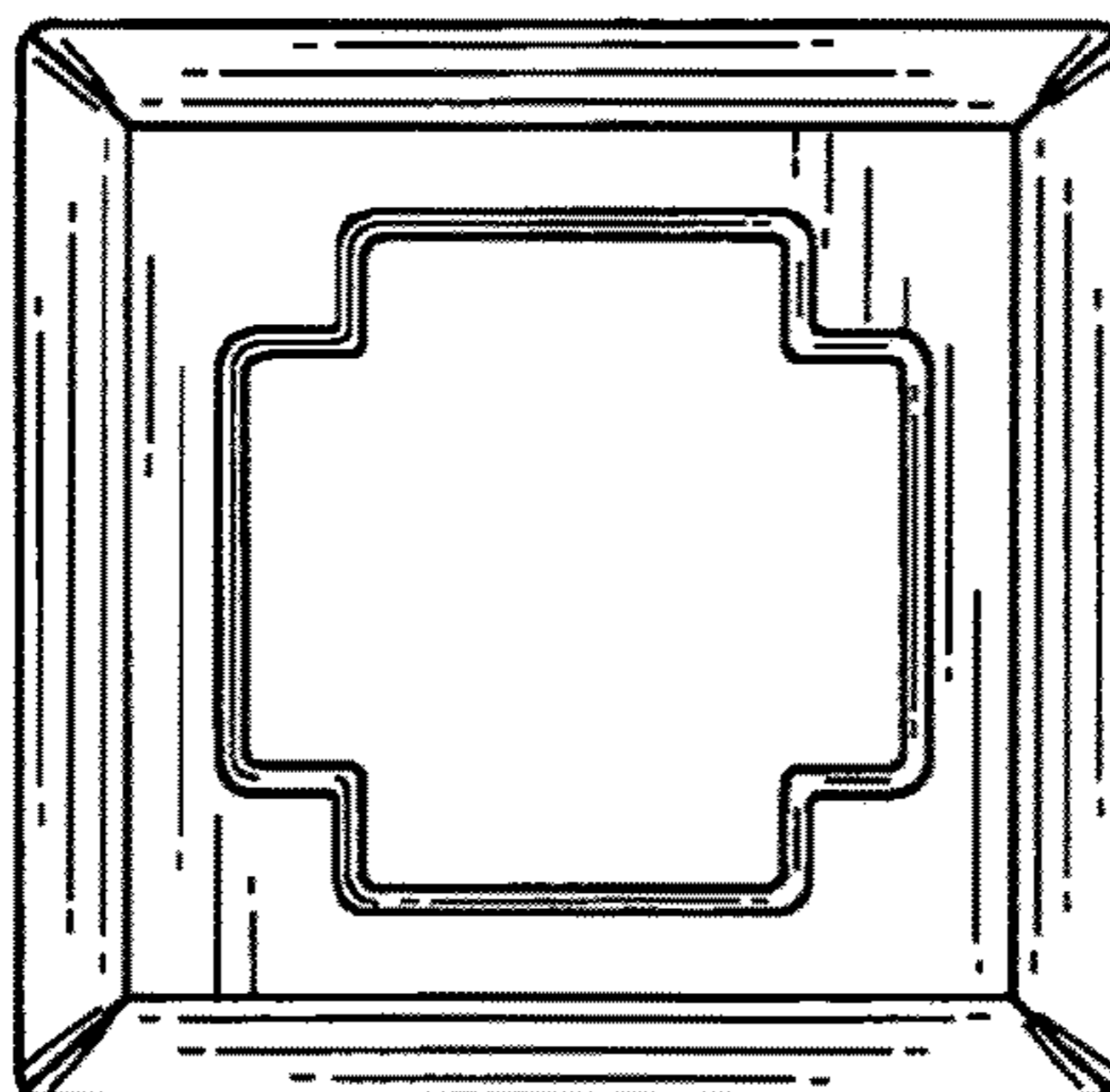


Fig. 2

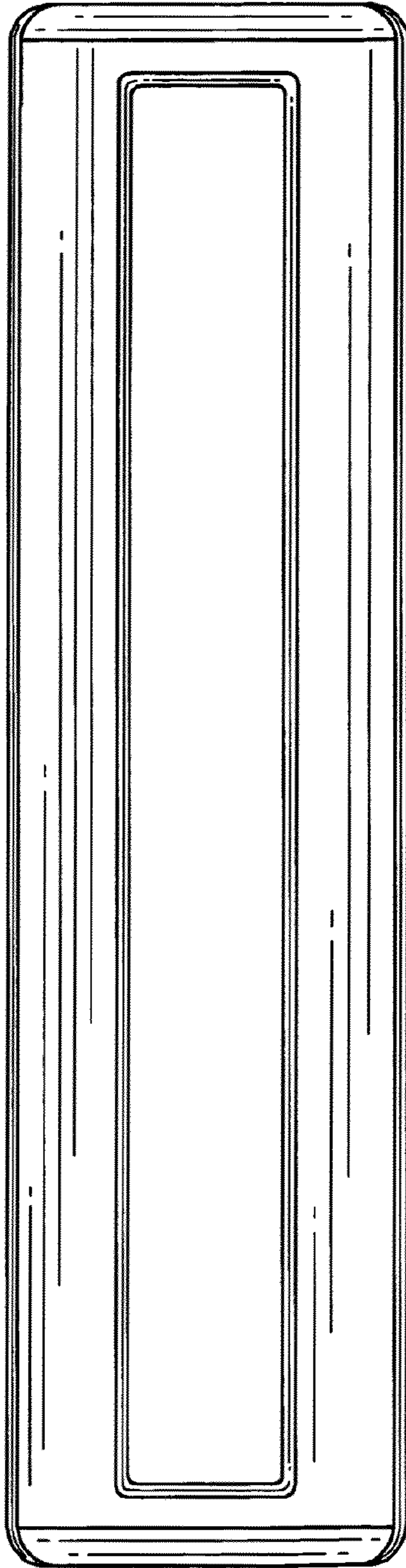


Fig. 3

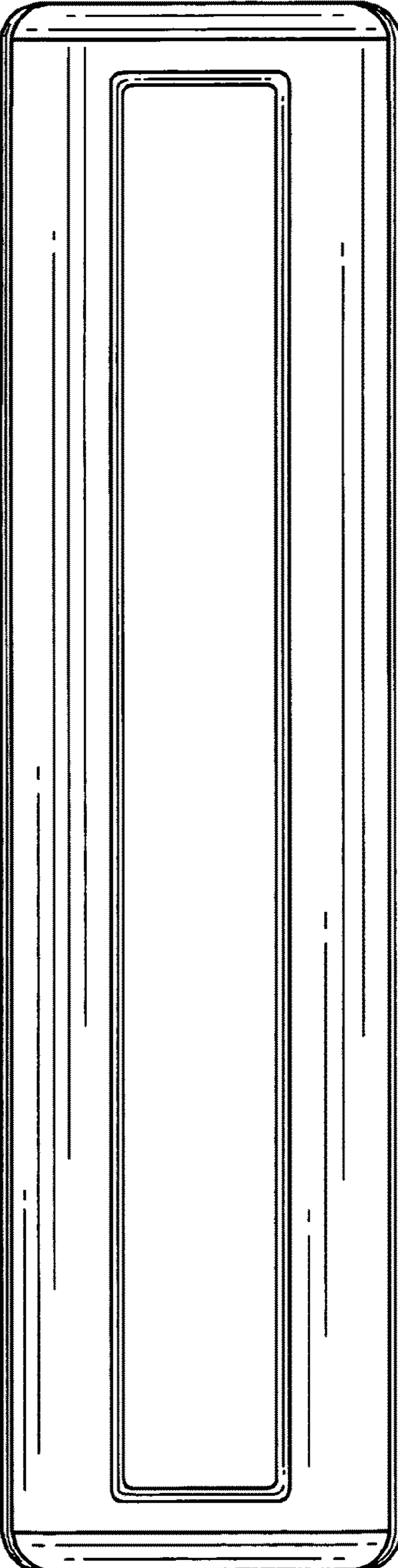


Fig. 4