



US00D747419S

(12) **United States Design Patent**
Côté et al.

(10) **Patent No.:** **US D747,419 S**
(45) **Date of Patent:** **** Jan. 12, 2016**

- (54) **CONSTRUCTION SET ELEMENT**
- (71) Applicant: **MEGA Brands Inc.**, Montreal (CA)
- (72) Inventors: **Geneviève Côté**, St-Constant (CA);
François Hamel, Montreal (CA)
- (73) Assignee: **MEGA Brands Inc.**, Montreal, Quebec (CA)
- (**) Term: **14 Years**
- (21) Appl. No.: **29/481,212**
- (22) Filed: **Feb. 3, 2014**
- (51) **LOC (10) Cl.** **21-01**
- (52) **U.S. Cl.**
USPC **D21/484**
- (58) **Field of Classification Search**
USPC D21/483, 484-505; D7/631; D14/239,
D14/252, 253, 447; D19/65, 86; D8/394,
D8/395
CPC A63H 33/00; A63H 33/04; A63H 33/06;
A63H 33/08; A63H 33/10; A63H 33/12;
A63H 33/14; A63F 9/08; A63F 9/12; G09B
1/36
See application file for complete search history.

- D534,588 S * 1/2007 Nuttall D19/65
- D549,090 S * 8/2007 Feuerzeig D8/394
- D651,072 S 12/2011 Boucher-Gagne et al.
- D657,662 S 4/2012 Boucher-Gagne et al.

(Continued)

OTHER PUBLICATIONS

Web page printout from Ikea (<https://web.archive.org/web/20130221050250/http://www.ikea.com/gb/en/catalog/products/30235969>), Rymlig napkin holder, Article No. 302.359.69, 1 page, published Feb. 21, 2013.

(Continued)

Primary Examiner — Cynthia M Chin

(74) *Attorney, Agent, or Firm* — Plumsea Law Group, LLC

(57) **CLAIM**

The ornamental design for a construction set element, as shown and described.

DESCRIPTION

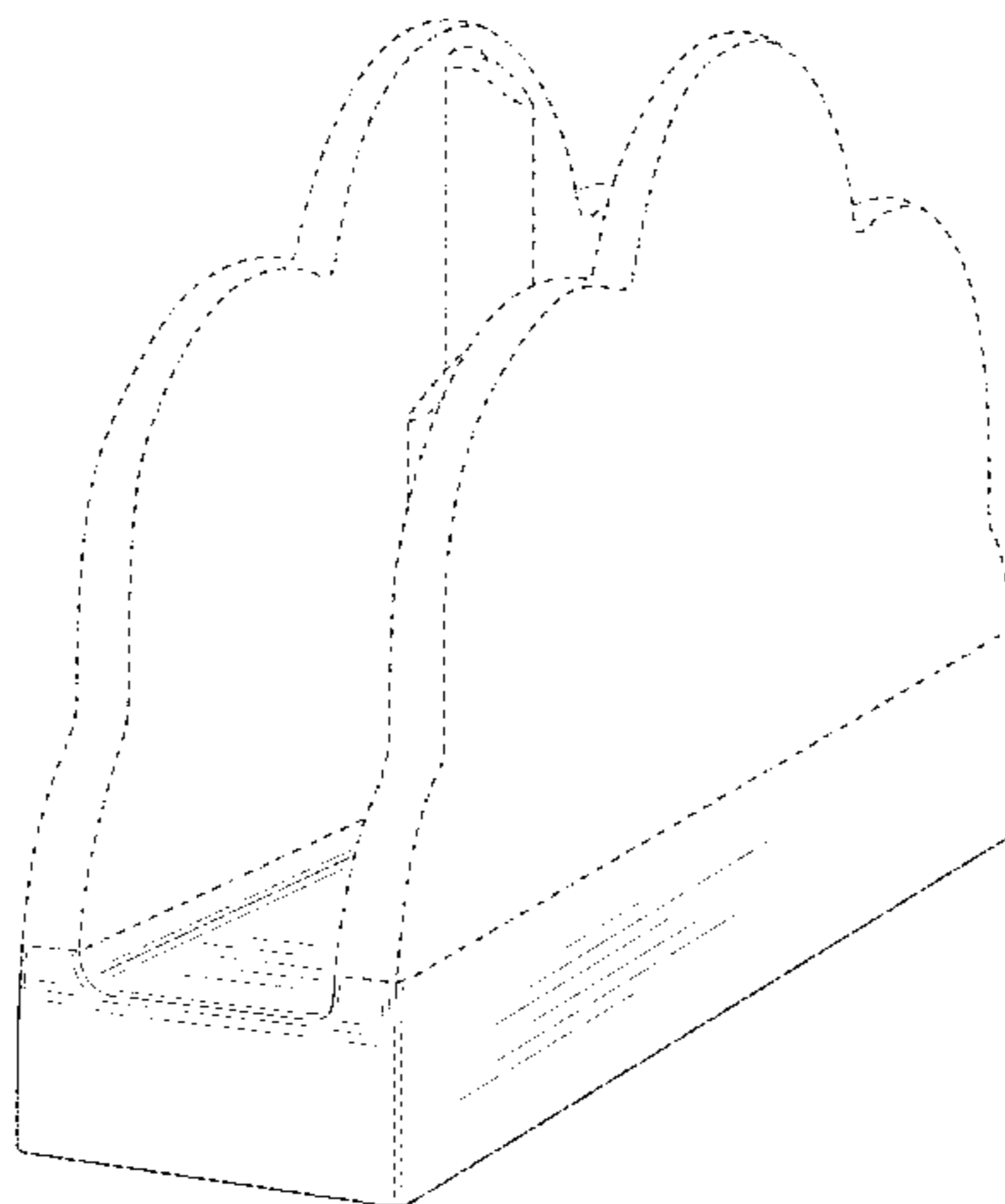
FIG. 1 is a top rear perspective view of a construction set element showing the new design;
 FIG. 2 is a top front perspective view of the construction set element of FIG. 1;
 FIG. 3 is a front side elevational view of the construction set element of FIG. 1;
 FIG. 4 is a rear side elevational view of the construction set element of FIG. 1;
 FIG. 5 is a right side elevational view of the construction set element of FIG. 1;
 FIG. 6 is a left side elevational view of the construction set element of FIG. 1;
 FIG. 7 is a top plan view of the construction set element of FIG. 1; and,
 FIG. 8 is a bottom plan view of the construction set element of FIG. 1.
 The broken lines and unshaded areas form no part of the claimed design.

1 Claim, 8 Drawing Sheets

(56) **References Cited**

U.S. PATENT DOCUMENTS

- 4,185,410 A 1/1980 Kristiansen
- D311,224 S 10/1990 Olsen
- D311,938 S 11/1990 Andersen
- D312,099 S * 11/1990 Andersen D21/503
- D314,405 S 2/1991 Pedersen et al.
- D362,694 S 9/1995 Sorensen
- D363,095 S 10/1995 Voldmester
- D369,528 S * 5/1996 Brooks D7/631
- D476,043 S 6/2003 Manville
- D480,200 S * 9/2003 Sprague D99/29
- D492,727 S * 7/2004 Nuttall D19/65
- D533,227 S * 12/2006 Nuttall D19/65



(56)

References Cited

U.S. PATENT DOCUMENTS

D657,663 S	4/2012	Boucher-Gagne et al.	
D657,664 S	4/2012	Boucher-Gagne et al.	
D658,048 S	4/2012	Boucher-Gagne et al.	
D658,049 S	4/2012	Boucher-Gagne et al.	
D658,050 S	4/2012	Boucher-Gagne et al.	
D658,051 S	4/2012	Boucher-Gagne et al.	
D658,052 S	4/2012	Boucher-Gagne et al.	
D659,525 S	5/2012	Boucher-Gagne et al.	
D659,526 S	5/2012	Boucher-Gagne et al.	
D659,527 S	5/2012	Boucher-Gagne et al.	
8,205,885 B2	6/2012	Latour et al.	
D713,838 S *	9/2014	Andre	D14/253

OTHER PUBLICATIONS

Web page printout from Warehouse 23 (<https://web.archive.org/web/20070620203118/http://www.warehouse23.com/item.html?id=SJG5104D>), Cardboard Heroes Bases, stock No. SJG5104D, 2 pages, published Jun. 20, 2007.

Web page printout from Blankdice (https://web.archive.org/web/20120602021434/http://www.blankdice.co.uk/Board_game_accessories/23), Board Game Accessories, 2 pages, published Jun. 2, 2012.

Notice of Allowance issued Jul. 23, 2014 in Design U.S. Appl. No. 29/481,193.

Web page printout from Ikea (<http://www.ikea.com/gb/en/catalog/products/302359691>), Rymlig napkin holder, Article No. 302.359.69, 2 pages, Jan. 24, 2014, (Published Feb. 21, 2013 as stated in applicant IDS Aug. 18, 2014).

Web page printout from Warehouse 23 (<http://www.warehouse23.com/item.html?id=SJG5104D>), Cardboard Heroes Bases, Stock No. SJG5104D, 2 pages, Jan. 24, 2014, (Published Jun. 20, 2007 as stated in applicant IDS Aug. 18, 2014).

Web page printout from Blankdice (http://blankdice.co.uk/Board_game_accessories/23/), Board Game Accessories, 6 pages, Jan. 24, 2014, (Published Jun. 2, 2012 as stated in applicant IDS Aug. 18, 2014).

Notification of Examination issued Nov. 27, 2014 in Chinese Design Application No. 201430178158.9, and English translation thereof.

Response to Notification of Examination filed Apr. 1, 2015 in Chinese Design Application No. 201430178158.9, and English translation thereof.

Notification of Allowance and Notification of Registration issued Apr. 13, 2015 in Chinese Design Application No. 201430178158.9, and English translations thereof.

* cited by examiner

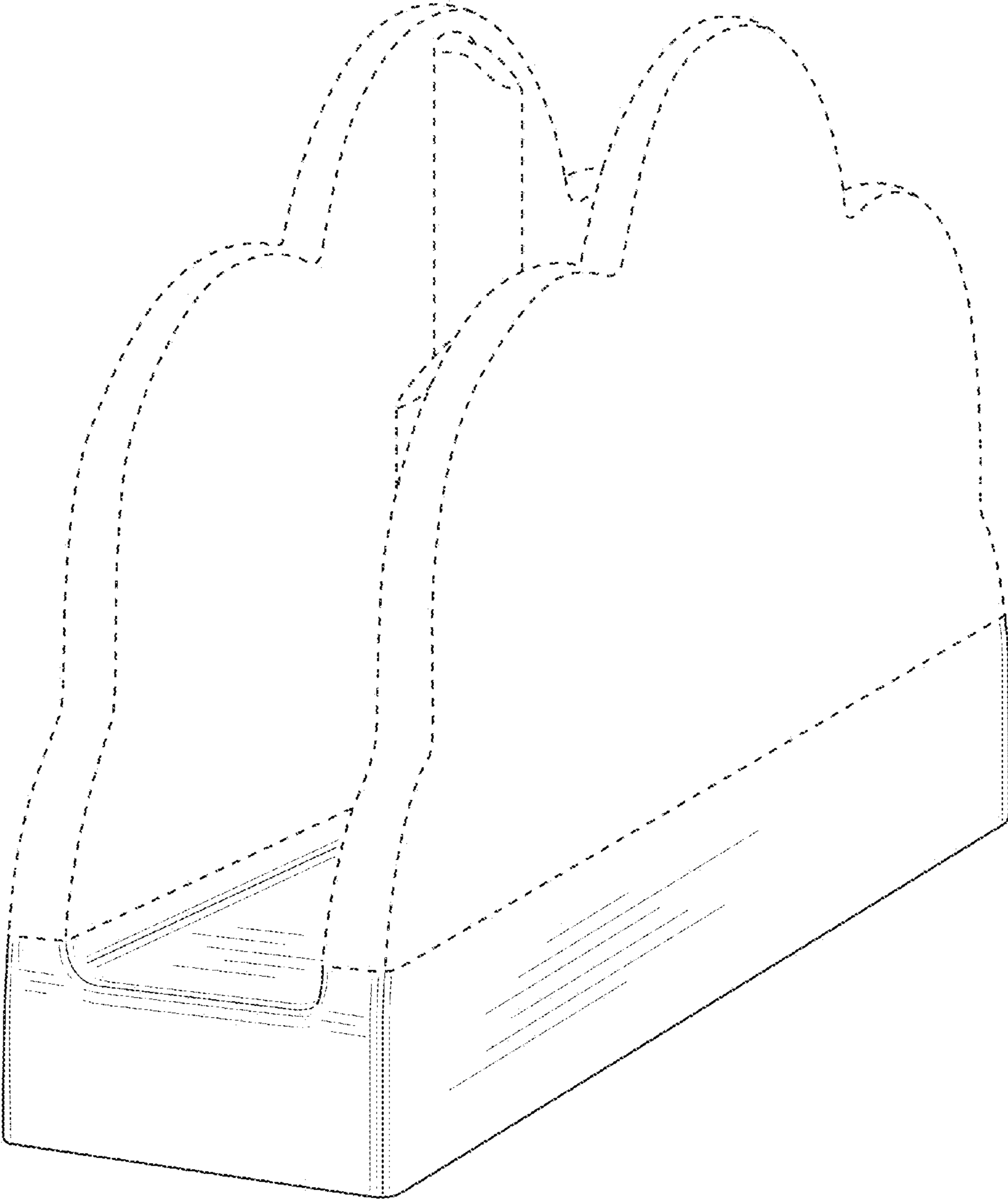


FIG. 1

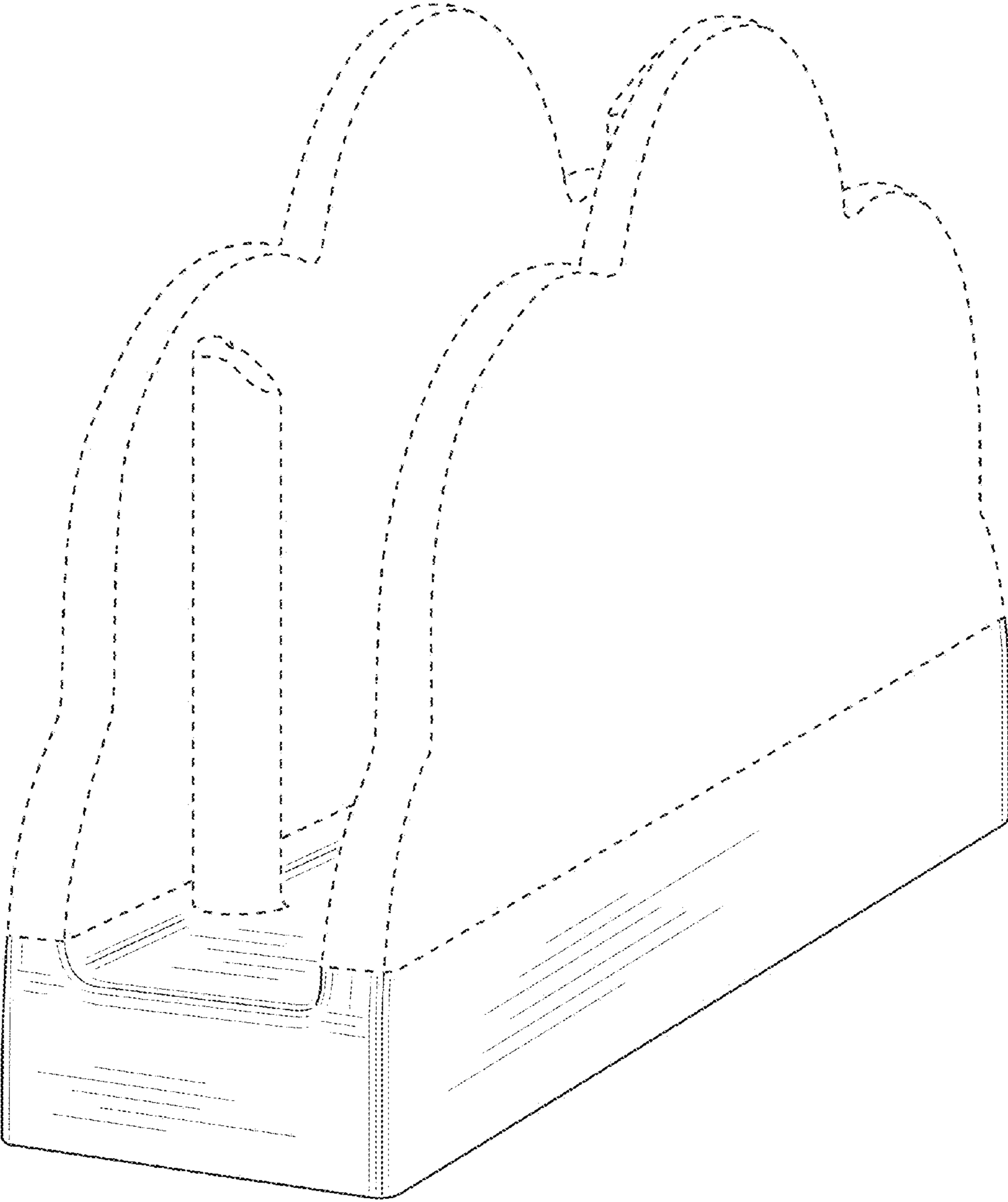


FIG. 2

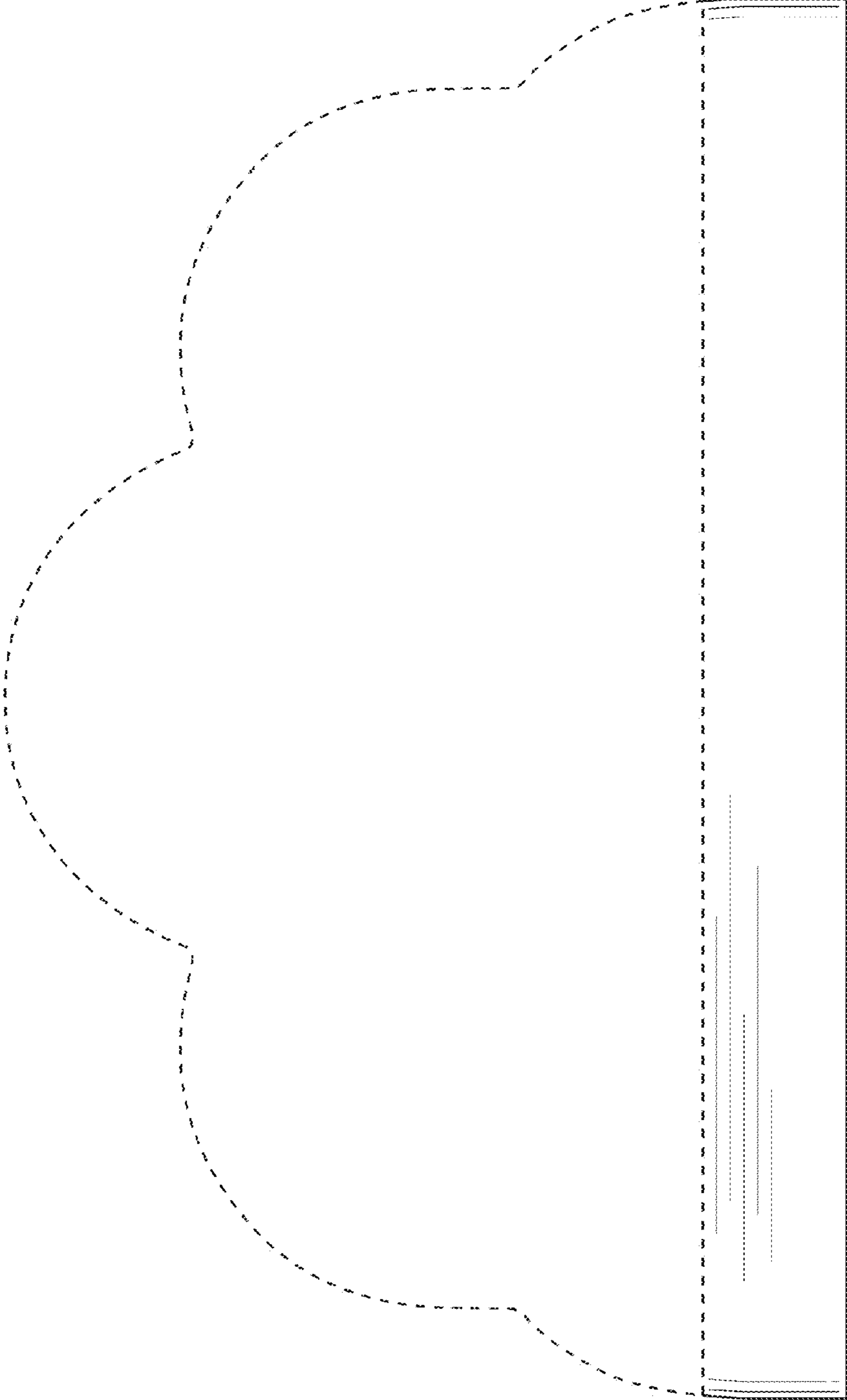


FIG. 3

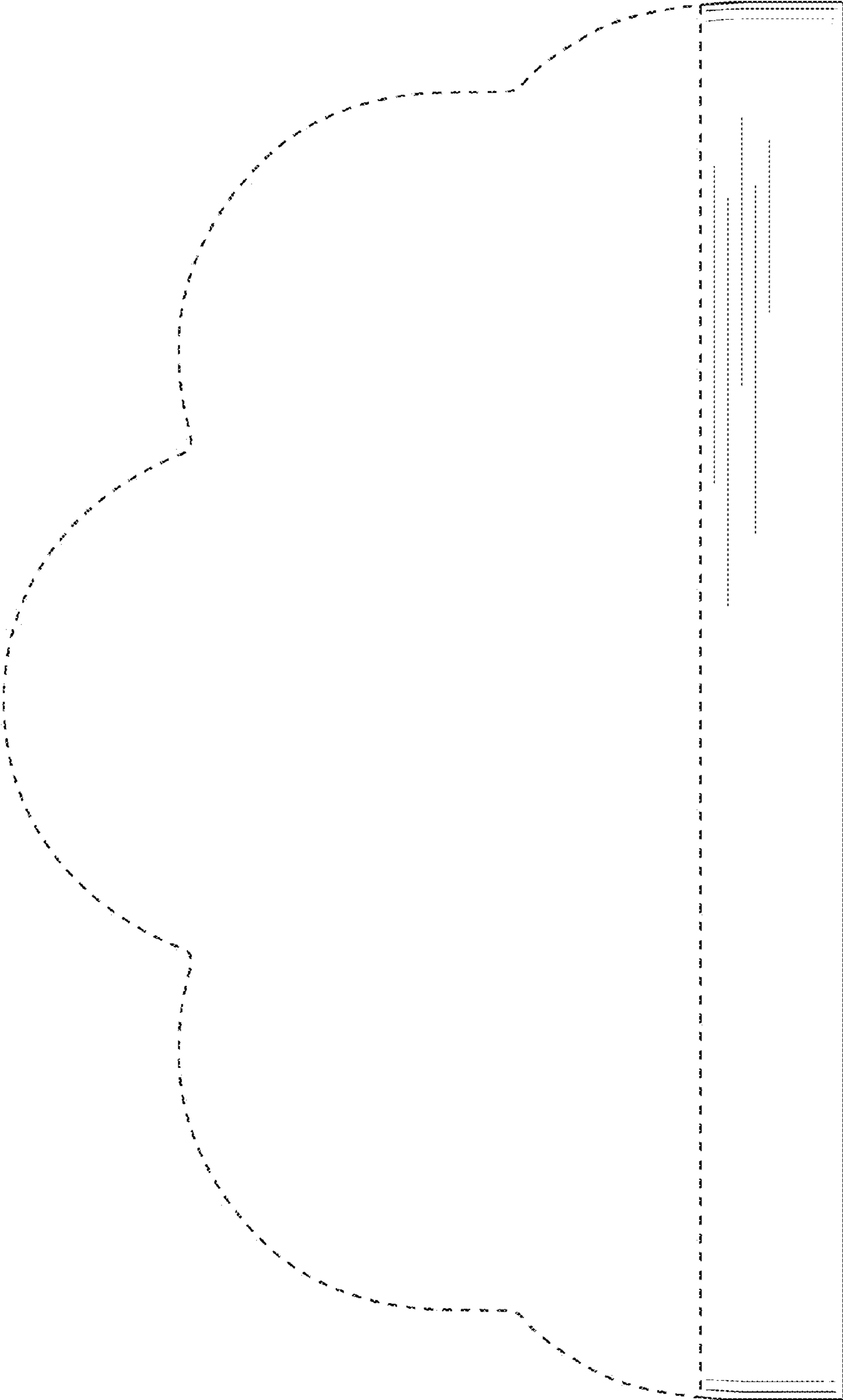


FIG. 4

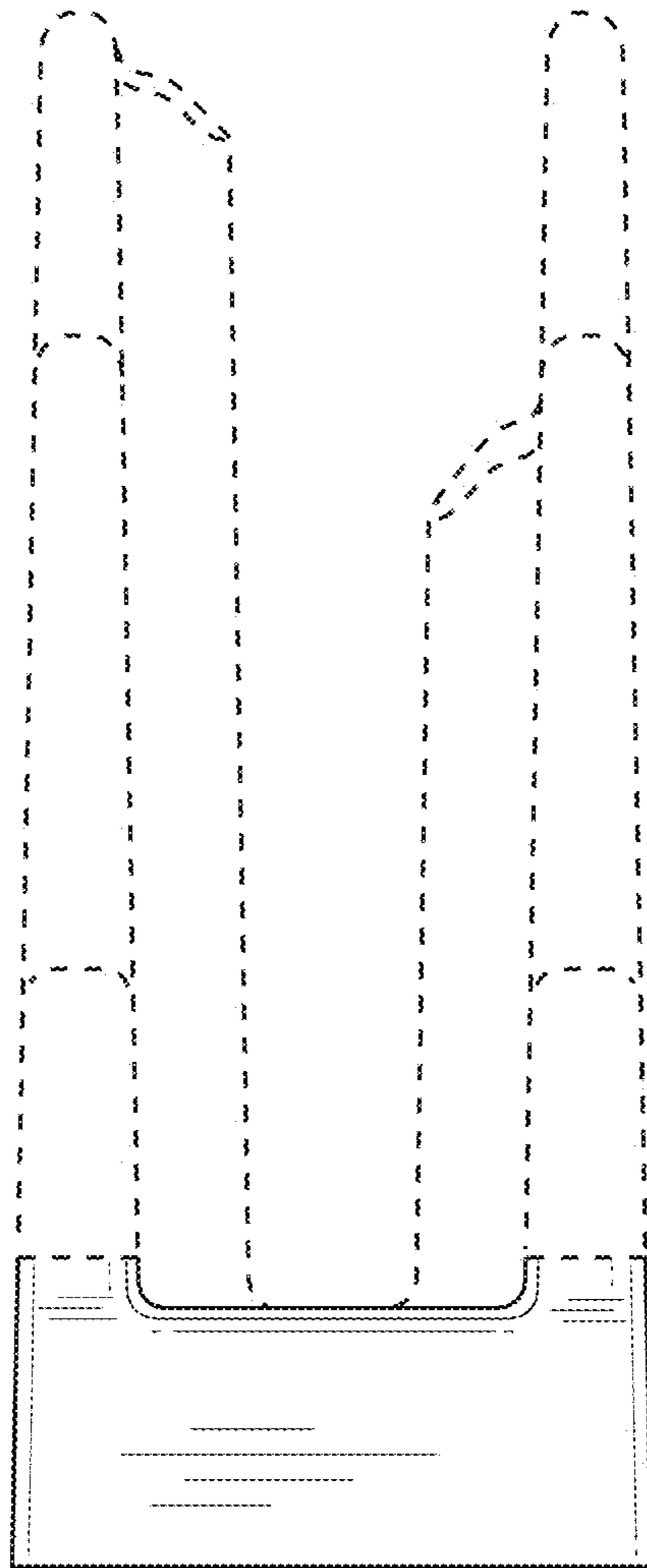


FIG. 5

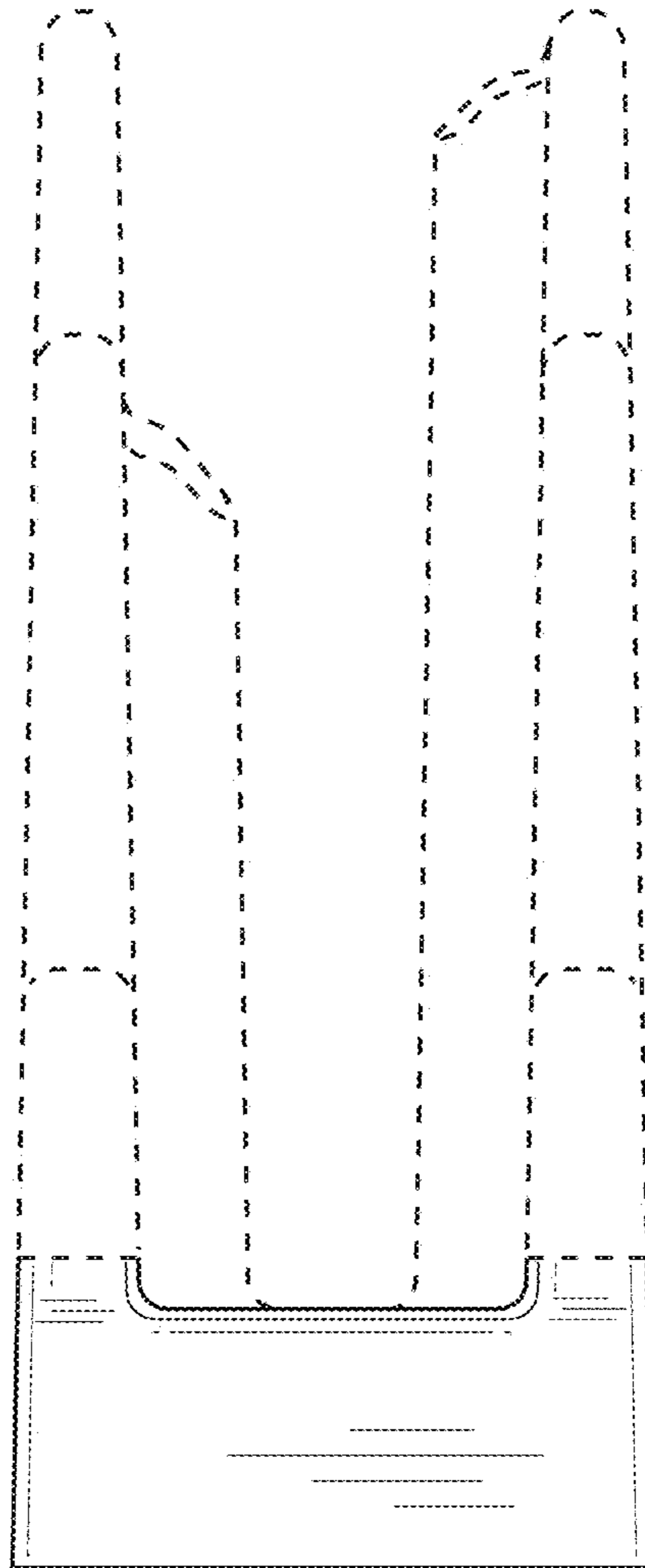


FIG. 6

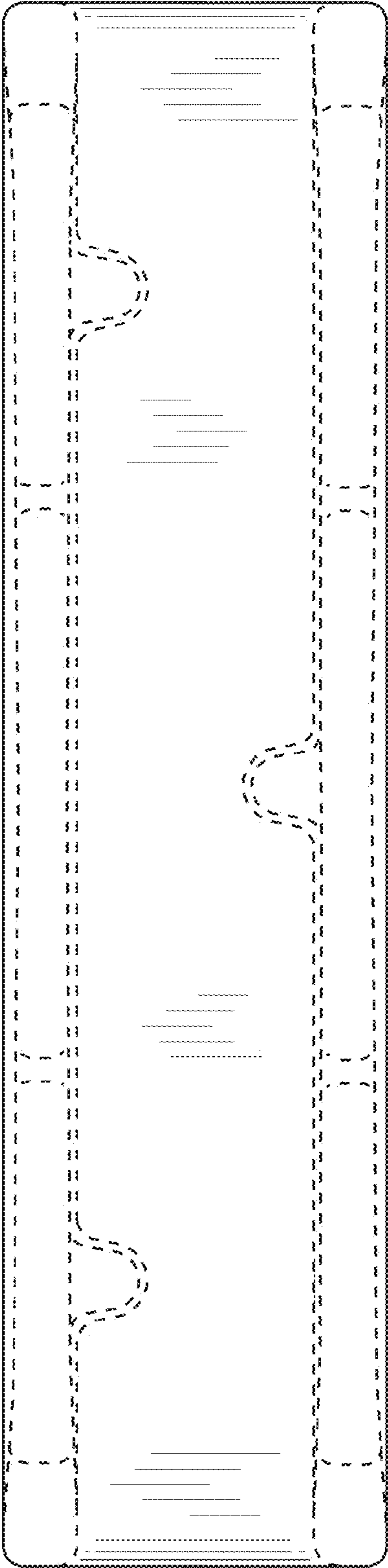


FIG. 7

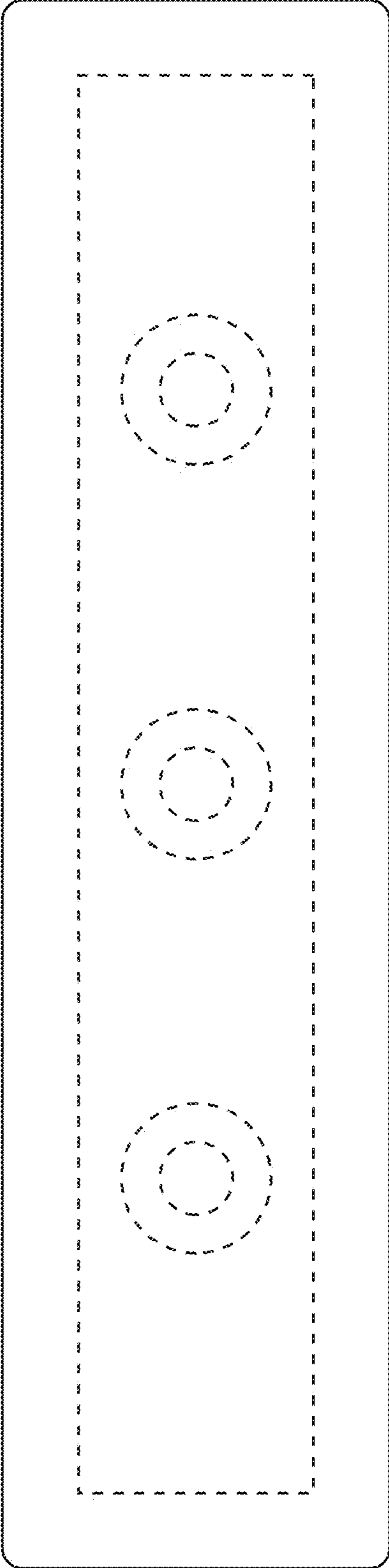


FIG. 8