



US00D747417S

(12) **United States Design Patent**  
**Cho et al.**

(10) **Patent No.:** **US D747,417 S**  
(45) **Date of Patent:** **\*\* Jan. 12, 2016**

(54) **ELECTRONIC LEARNING DEVICE**

(71) Applicant: **LG Electronics Inc.**, Seoul (KR)

(72) Inventors: **Yoonyoung Cho**, Gyeonggi-do (KR);  
**Youngwon Jeong**, Gyeonggi-do (KR)

(73) Assignee: **LG Electronics Inc.**, Seoul (KR)

(\*\*) Term: **14 Years**

(21) Appl. No.: **29/494,739**

(22) Filed: **Jun. 24, 2014**

(30) **Foreign Application Priority Data**

Dec. 26, 2013 (KR) ..... 30-2013-0065499

(51) **LOC (10) Cl.** ..... **21-01**

(52) **U.S. Cl.**  
USPC ..... **D21/324; D21/333; D21/328**

(58) **Field of Classification Search**  
USPC ..... D21/324, 328, 333, 385, 477, 566;  
D14/399-402, 412, 414, 416, 432;  
273/148 B, 449, 441, 442; 463/1,  
463/29-35, 46, 47; 345/156, 161; 434/45,  
434/46, 112, 113, 224, 161-165; D19/59.8  
CPC ..... A63F 13/00; A63F 13/02; A63F 9/00;  
G09G 9/00

See application file for complete search history.

(56) **References Cited**

U.S. PATENT DOCUMENTS

4,959,017	A *	9/1990	Thompson et al.	.....	434/110
5,137,457	A *	8/1992	Howard et al.	.....	434/201
5,139,423	A *	8/1992	McCormack et al.	.....	434/201
D428,920	S *	8/2000	Chan	.....	D14/327
D546,895	S *	7/2007	Chan	.....	D21/330
D625,295	S *	10/2010	Nogueira et al.	.....	D14/218
D631,870	S *	2/2011	Nikiforov et al.	.....	D14/218
D632,281	S *	2/2011	Hoehn et al.	.....	D14/218
D639,784	S *	6/2011	Murayama et al.	.....	D14/218
8,297,070	B2 *	10/2012	Pryor	.....	62/259.3

\* cited by examiner

*Primary Examiner* — Prabhakar Deshmukh

(74) *Attorney, Agent, or Firm* — Morgan, Lewis & Bockius LLP

(57) **CLAIM**

The ornamental design for an electronic learning device, as shown and described.

**DESCRIPTION**

FIG. 1 is a perspective view of an electronic learning device showing our new design;  
FIG. 2 is a front view thereof;  
FIG. 3 is a rear view thereof;  
FIG. 4 is a left side view thereof;  
FIG. 5 is a right side view thereof;  
FIG. 6 is a top plan view thereof; and,  
FIG. 7 is a bottom plan view thereof.  
The broken lines indicate unclaimed portions and form no part of the claimed design.

**1 Claim, 7 Drawing Sheets**

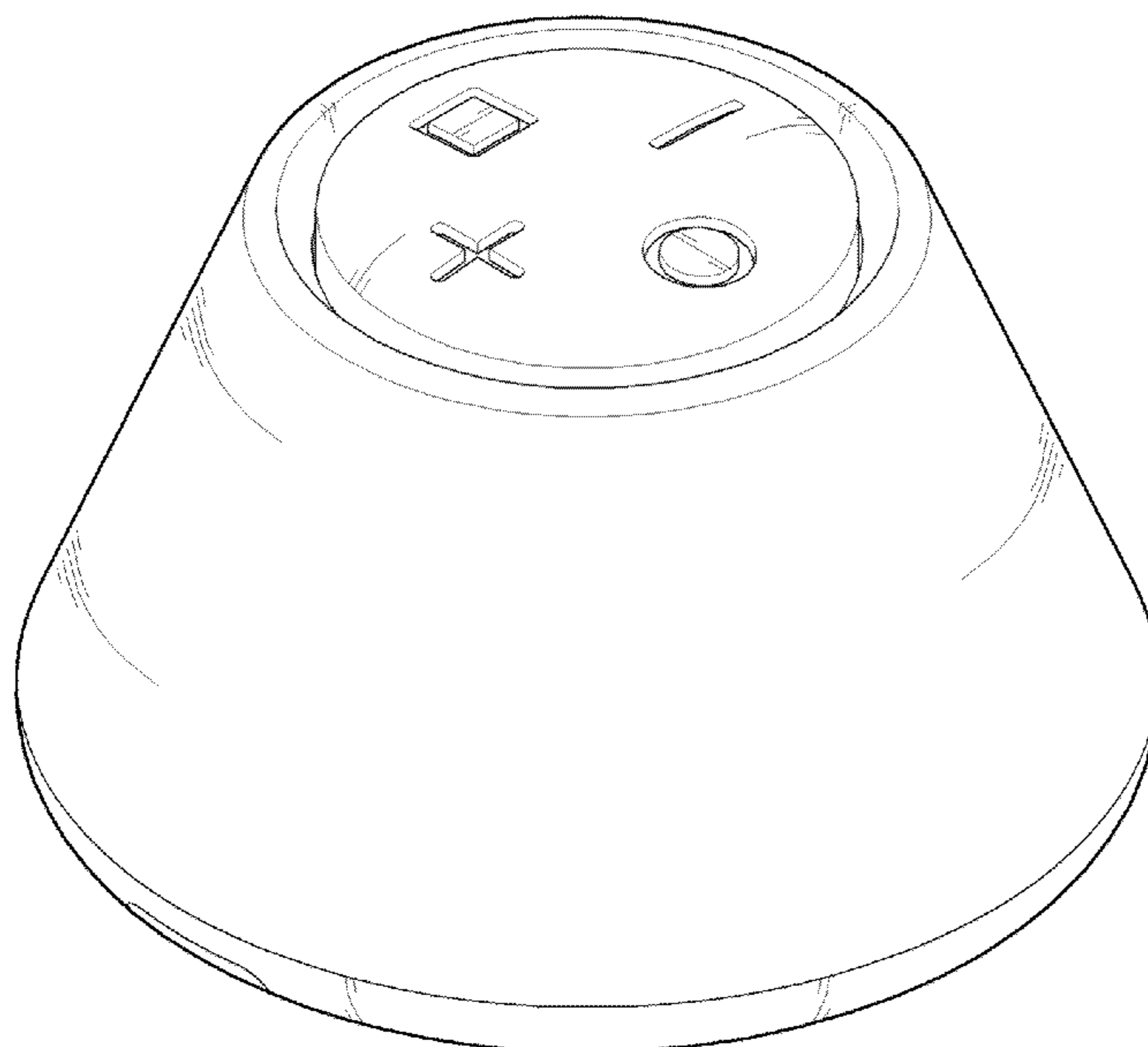


FIG. 1

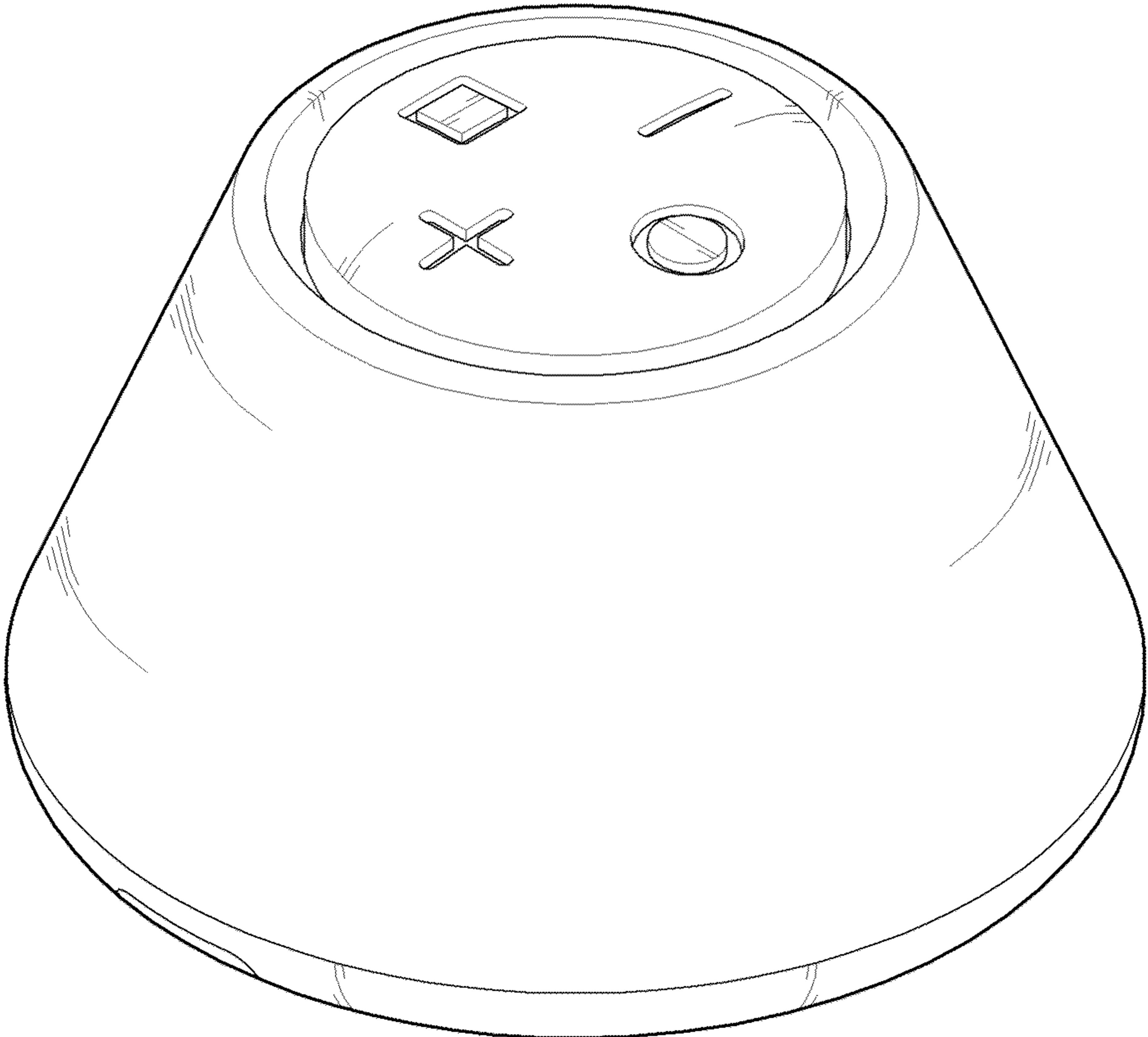


FIG. 2

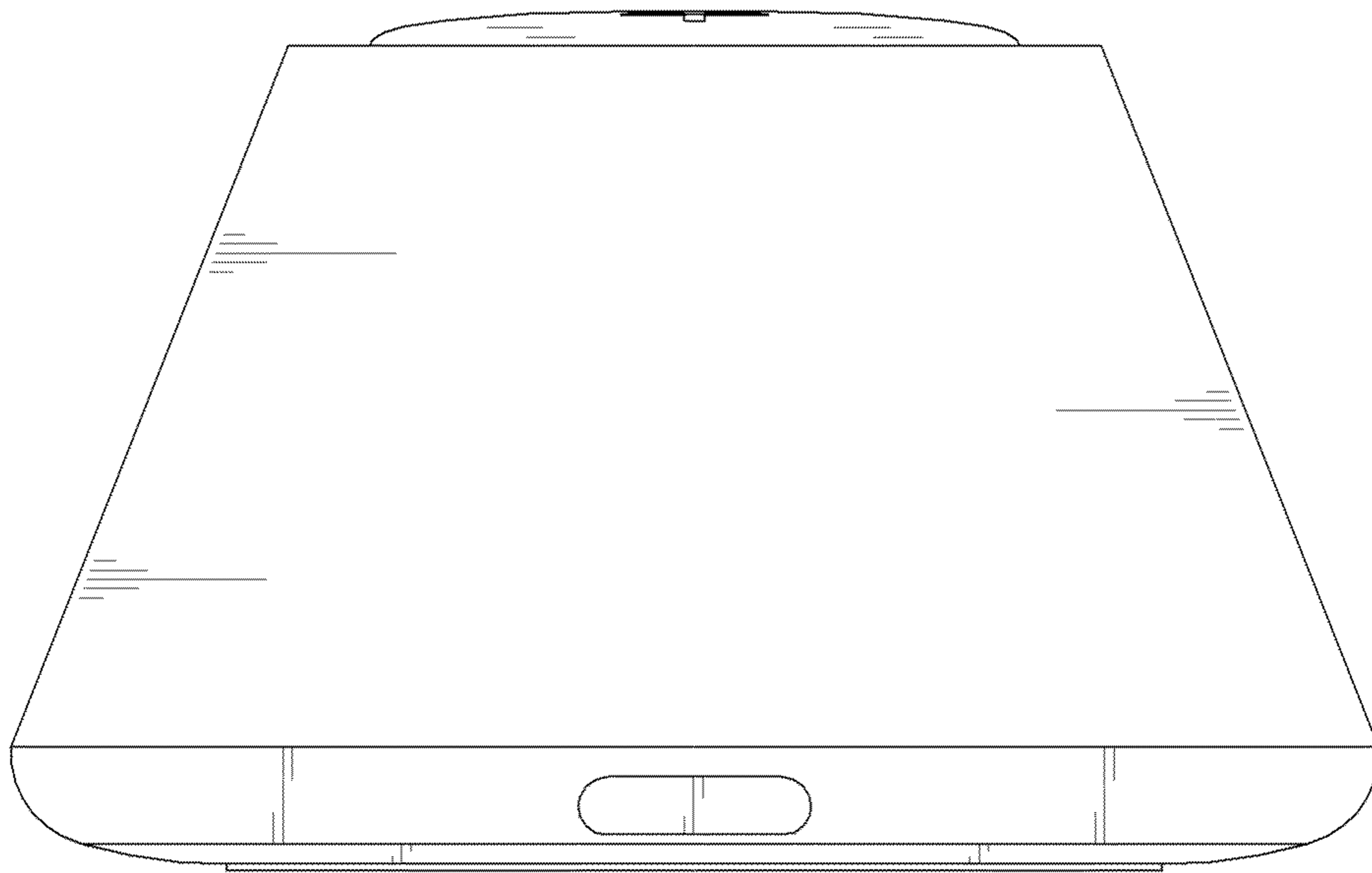


FIG. 3

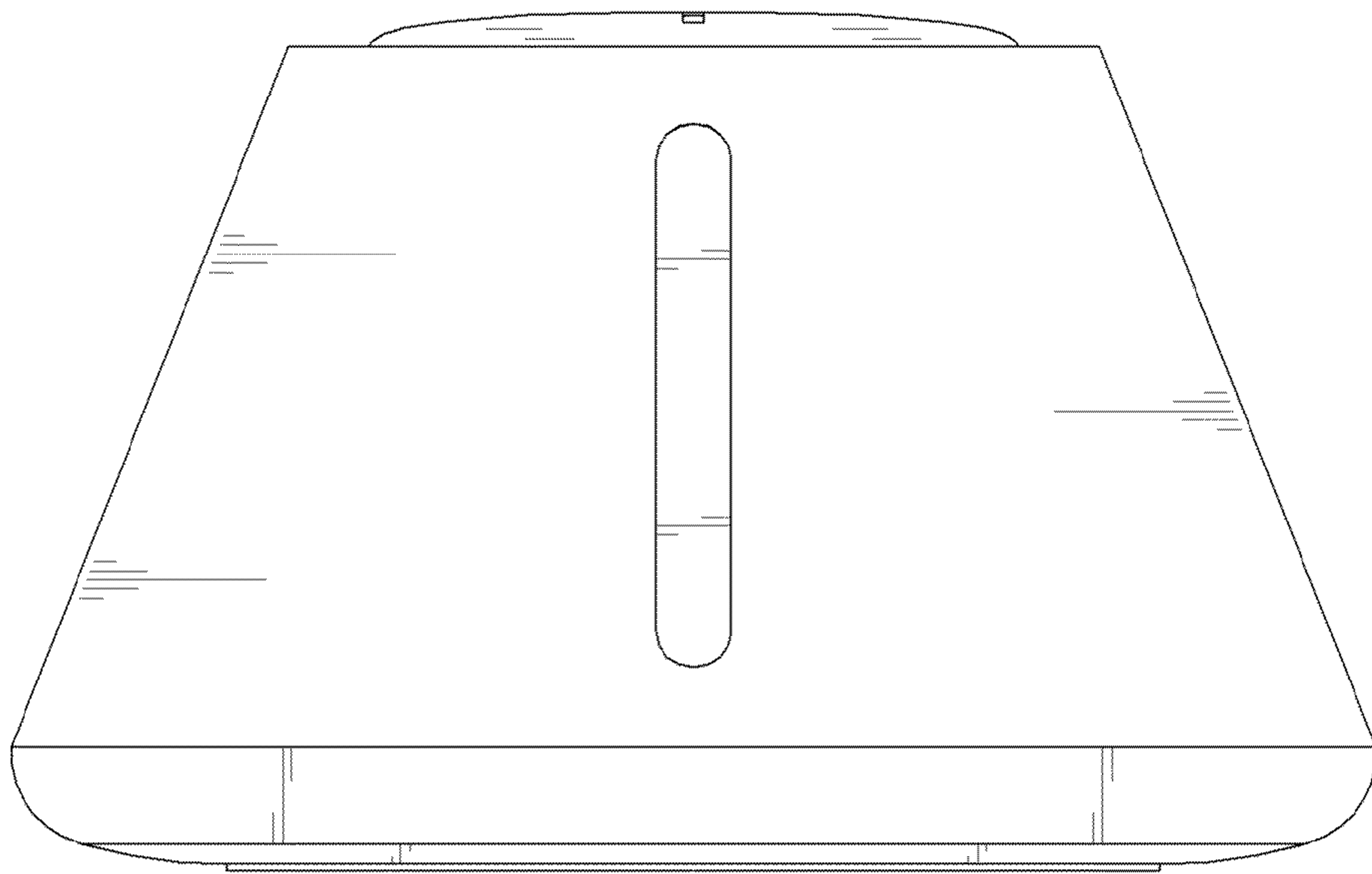


FIG. 4

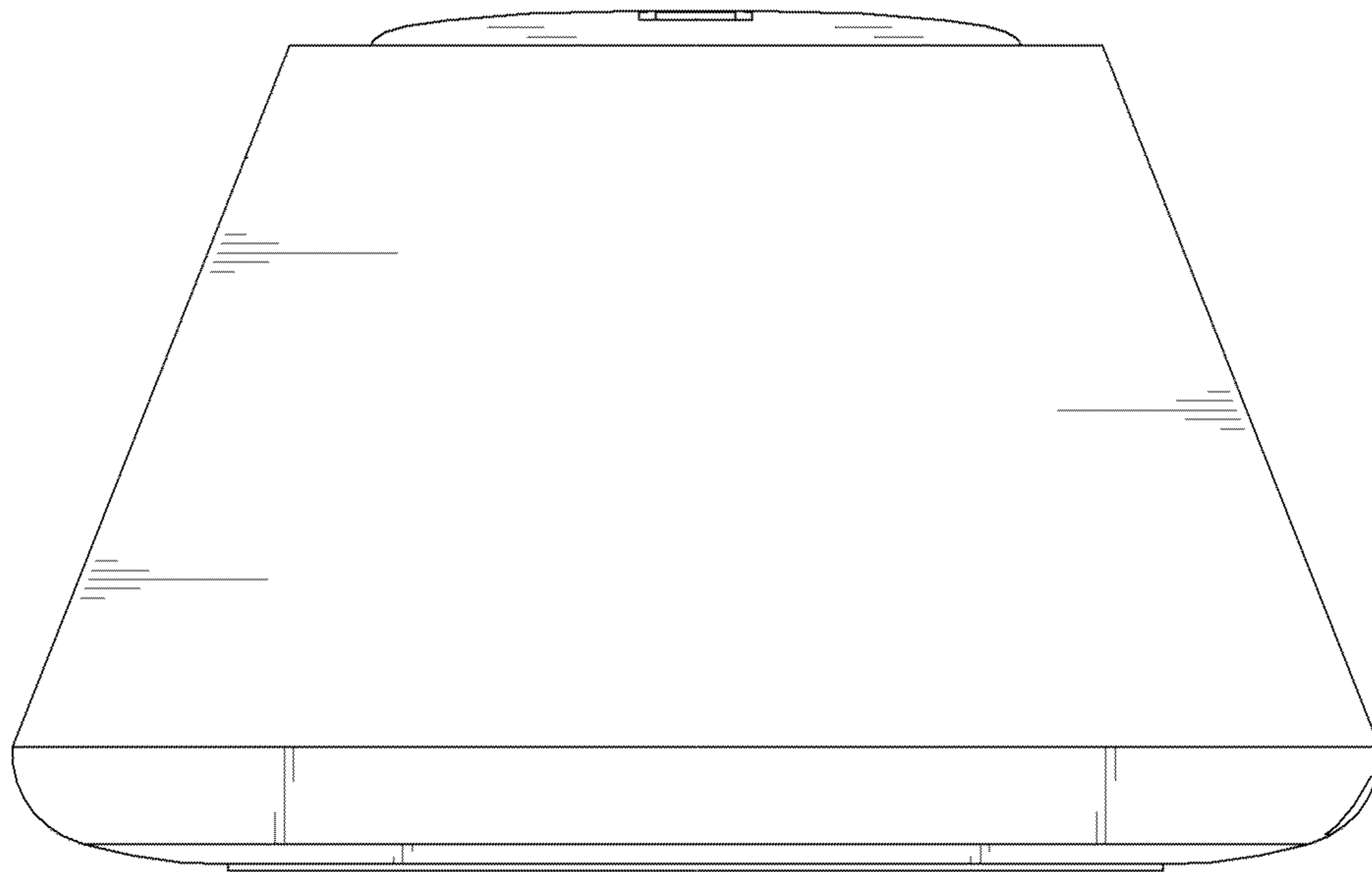


FIG. 5

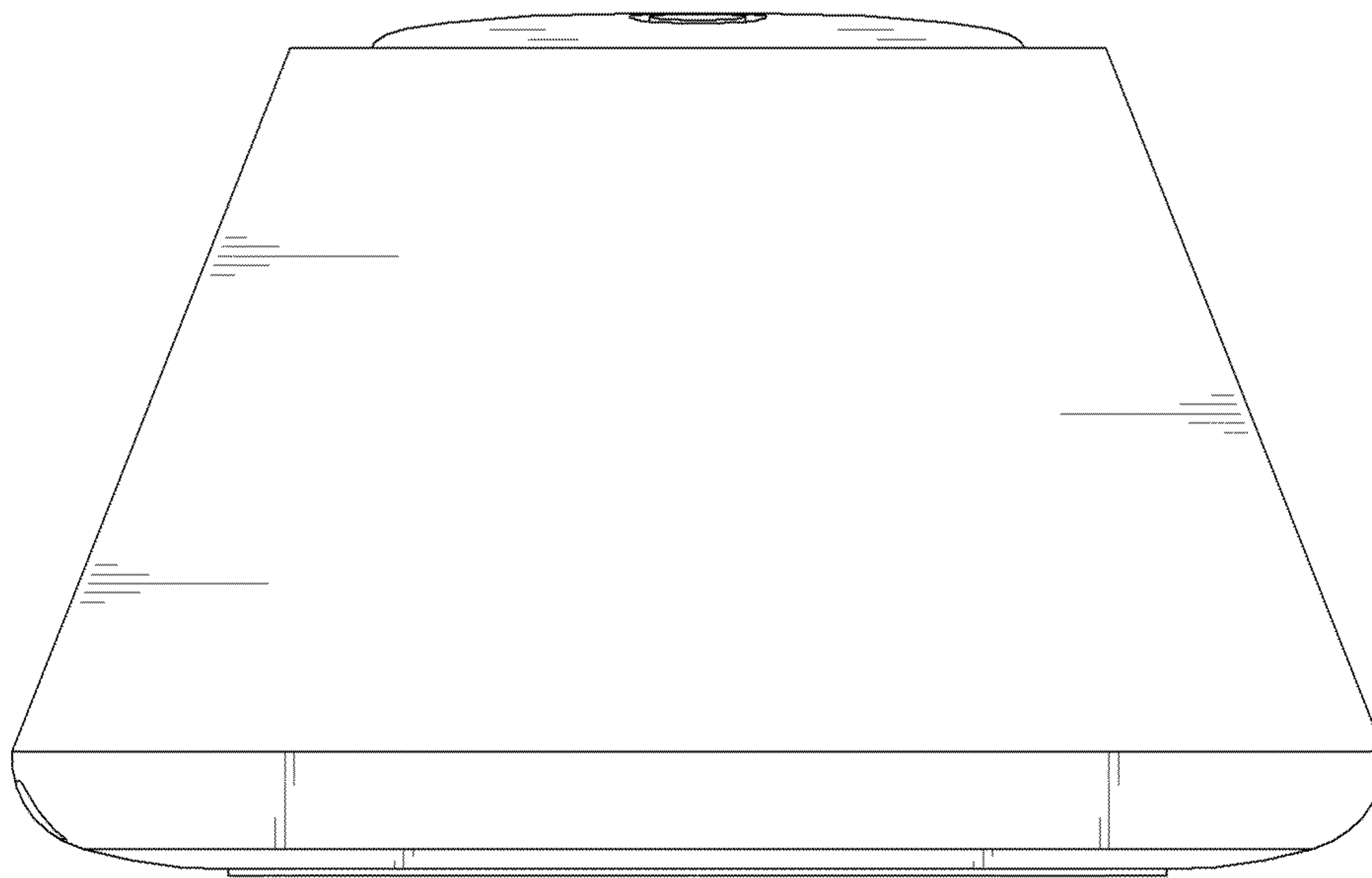


FIG. 6

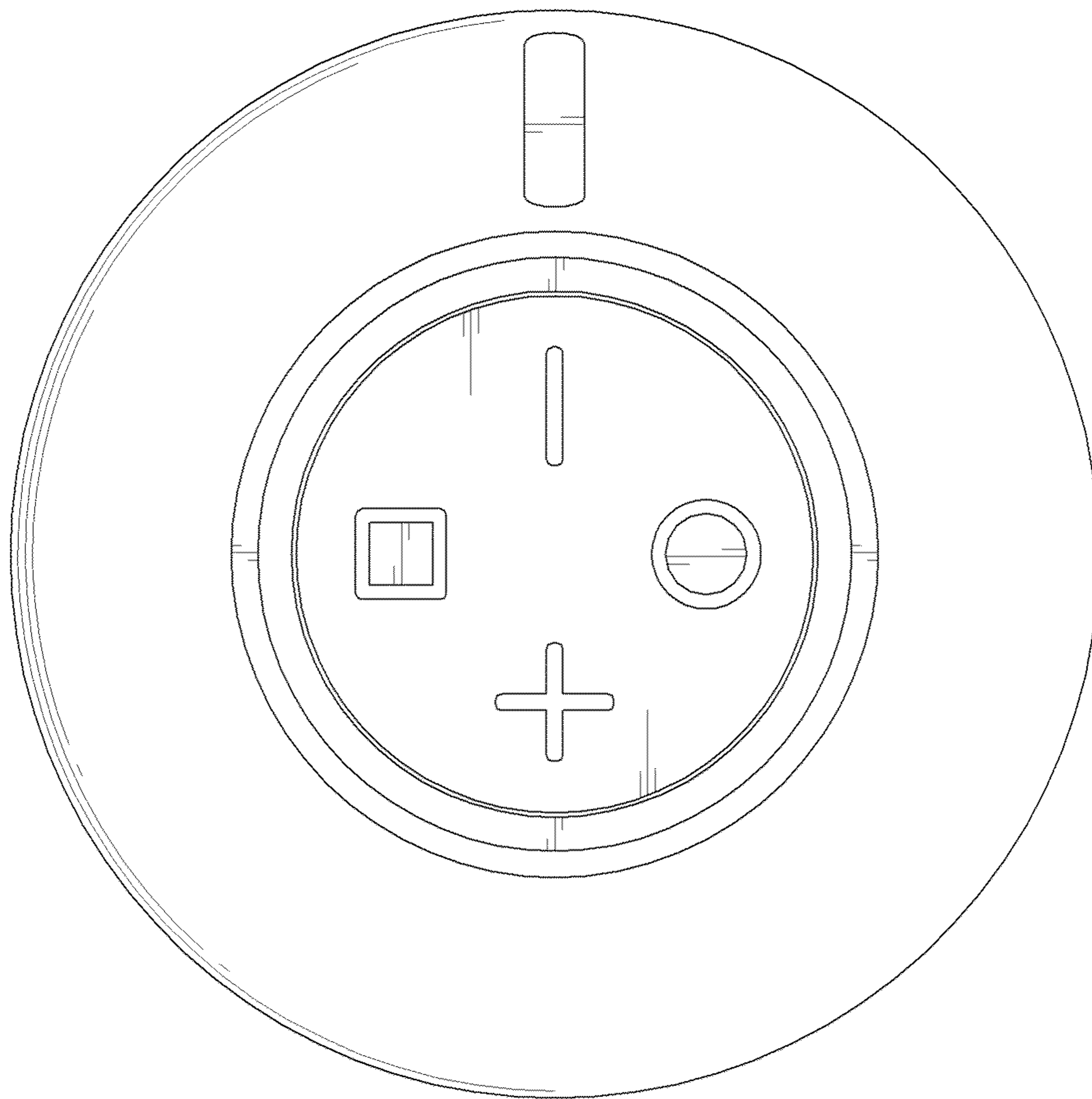


FIG. 7

