



US00D747415S

(12) **United States Design Patent**
O'Sullivan et al.

(10) **Patent No.:** **US D747,415 S**

(45) **Date of Patent:** **** Jan. 12, 2016**

(54) **FROZEN CONFECTIONERY VENDING MACHINE**

G07F 11/62; G07F 11/165; G07F 13/00;
G07F 13/10; G07F 17/42

See application file for complete search history.

(71) Applicants: **Jeremiah O'Sullivan**, Lewisburg, WV (US); **Melissa A. Nelson**, Hawley, PA (US); **Matthew F. Perry**, Atlanta, GA (US); **Melissa K. O'Sullivan**, Lewisburg, WV (US); **Alexander S. Farley**, Mississauga (CA)

(56) **References Cited**

U.S. PATENT DOCUMENTS

D316,728 S *	5/1991	Koch	D20/8
D358,427 S *	5/1995	Gobindram	D20/1
D362,689 S *	9/1995	Goldman et al.	D20/1
D391,608 S *	3/1998	Fink et al.	D20/8
D460,489 S *	7/2002	Dickson	D20/5
D624,778 S *	10/2010	Meldrum et al.	D7/307
D638,476 S *	5/2011	Hoffman et al.	D20/1
D696,350 S *	12/2013	d'Amore et al.	D20/1

* cited by examiner

Primary Examiner — Mary Ann Calabrese

(74) *Attorney, Agent, or Firm* — Venable LLP; Steven J. Schwarz

(72) Inventors: **Jeremiah O'Sullivan**, Lewisburg, WV (US); **Melissa A. Nelson**, Hawley, PA (US); **Matthew F. Perry**, Atlanta, GA (US); **Melissa K. O'Sullivan**, Lewisburg, WV (US); **Alexander S. Farley**, Mississauga (CA)

(57) **CLAIM**

The ornamental design for a frozen confectionery vending machine, as shown and described.

(**) Term: **14 Years**

(21) Appl. No.: **29/476,086**

(22) Filed: **Dec. 10, 2013**

(51) **LOC (10) Cl.** **20-01**

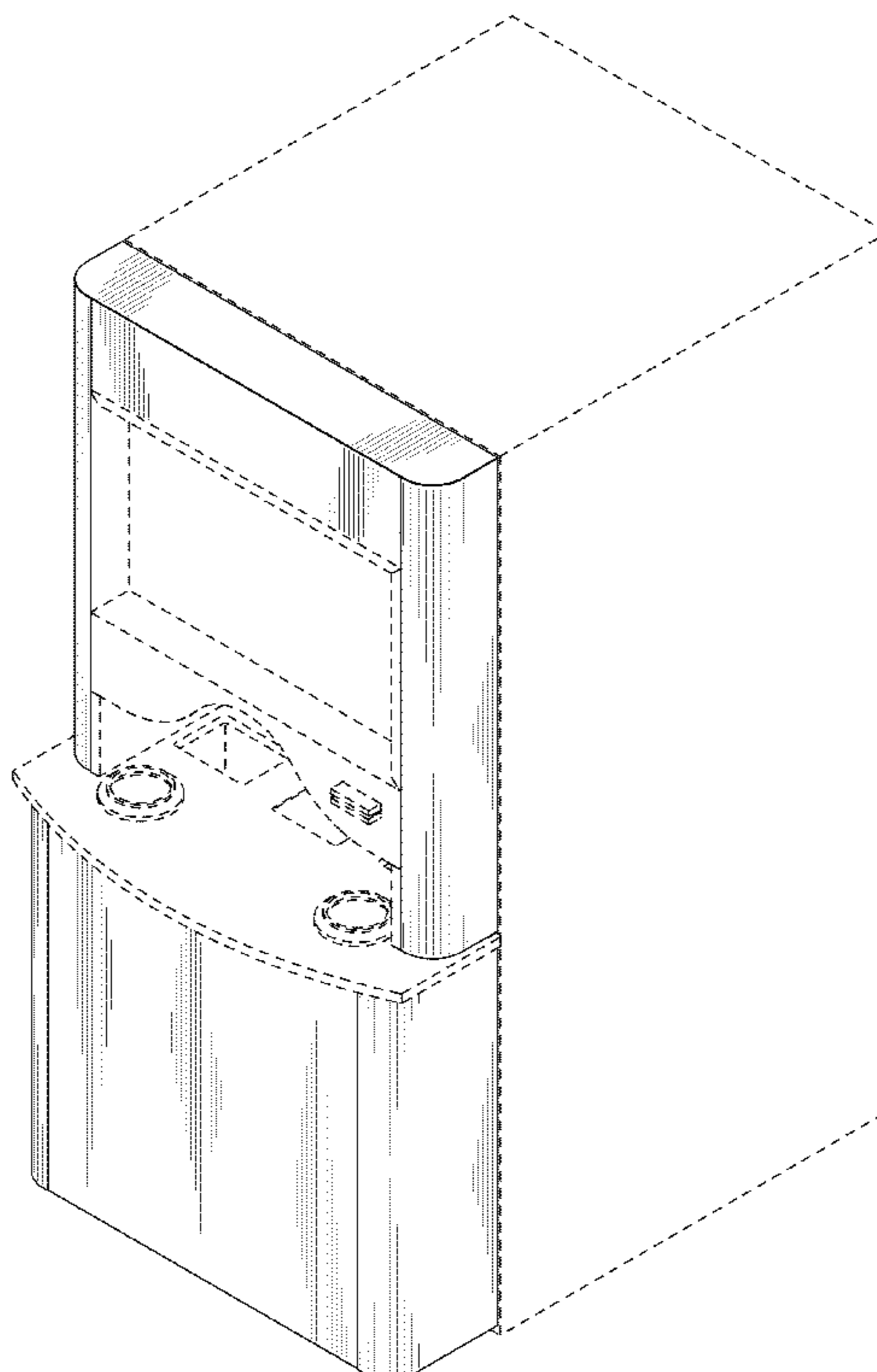
(52) **U.S. Cl.**
USPC **D20/8**

(58) **Field of Classification Search**
USPC D20/1-9; D99/28; D6/515;
D7/305-312; D15/89
CPC G07F 9/00; G07F 9/02; G07F 9/026;
G07F 9/06; G07F 11/00; G07F 11/007;
G07F 11/02; G07F 11/06; G07F 11/10;
G07F 11/24; G07F 11/21; G07F 11/38;

DESCRIPTION

FIG. 1 is a perspective view of a frozen confectionery vending machine according to a first embodiment of the present invention;
FIG. 2 is a left side view thereof;
FIG. 3 is a front view thereof;
FIG. 4 is a right side view thereof;
FIG. 5 is a rear view thereof; and,
FIG. 6 is a top view thereof.

1 Claim, 4 Drawing Sheets



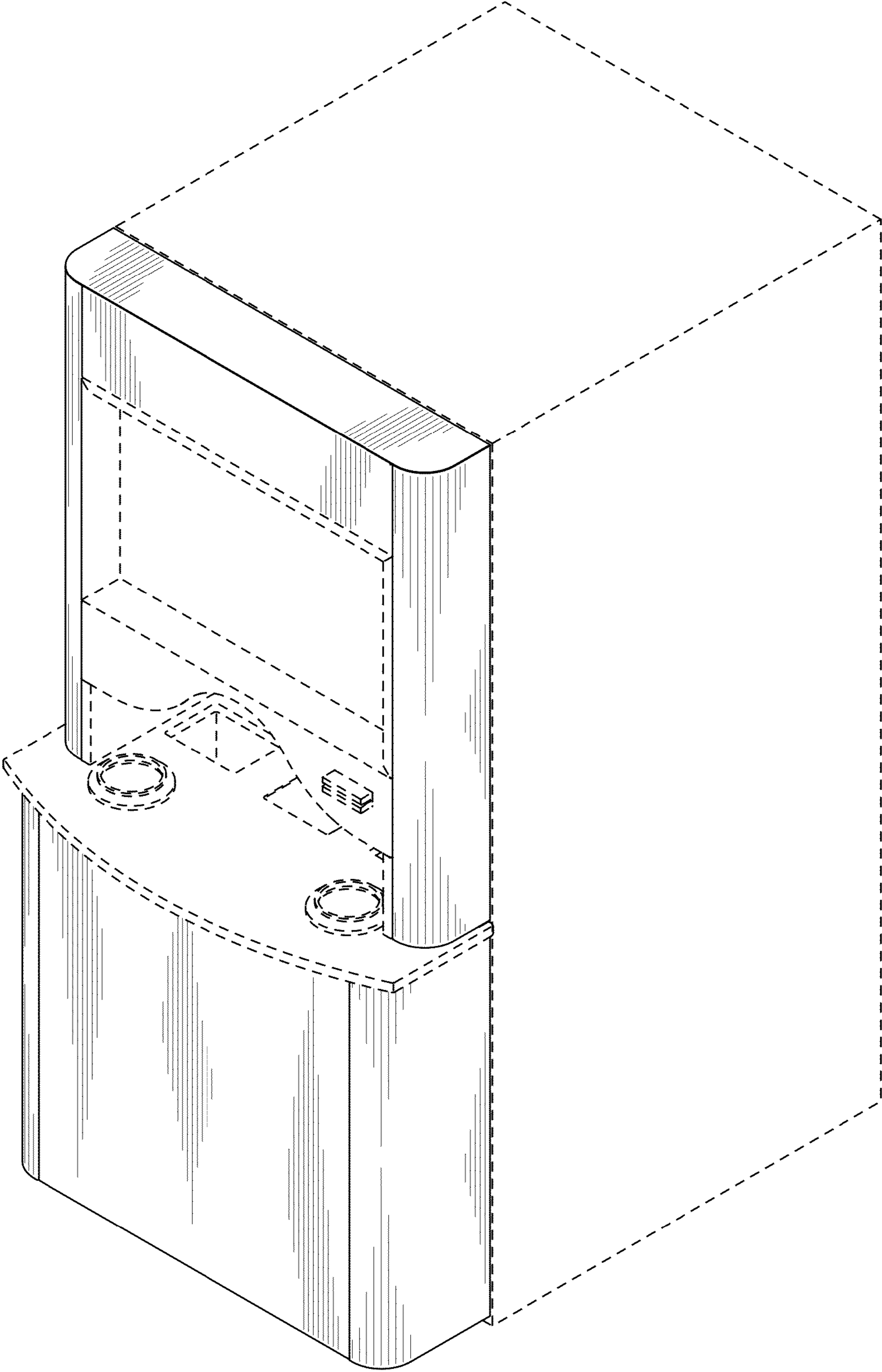


FIG. 1

FIG. 3

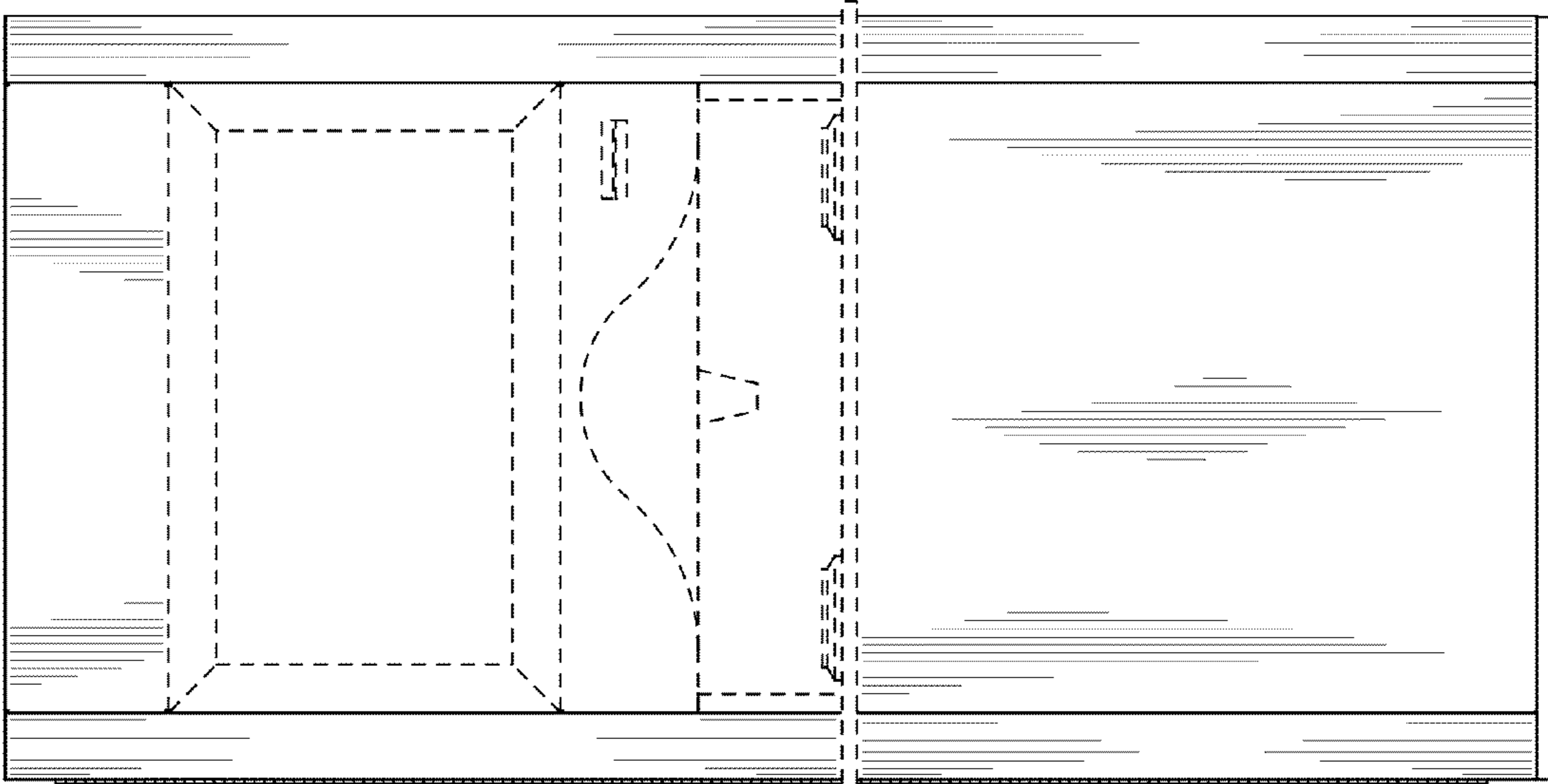


FIG. 2

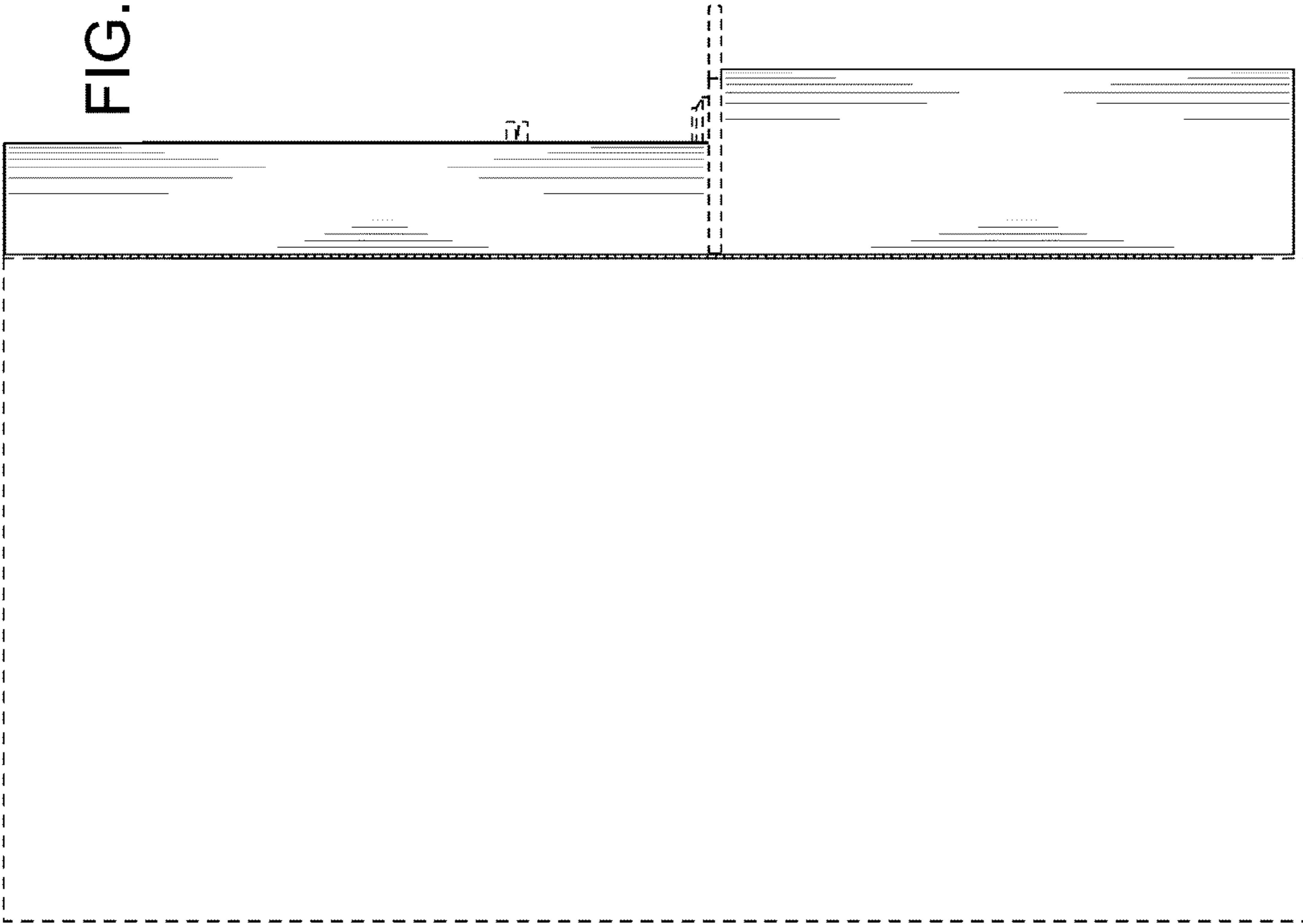


FIG. 5

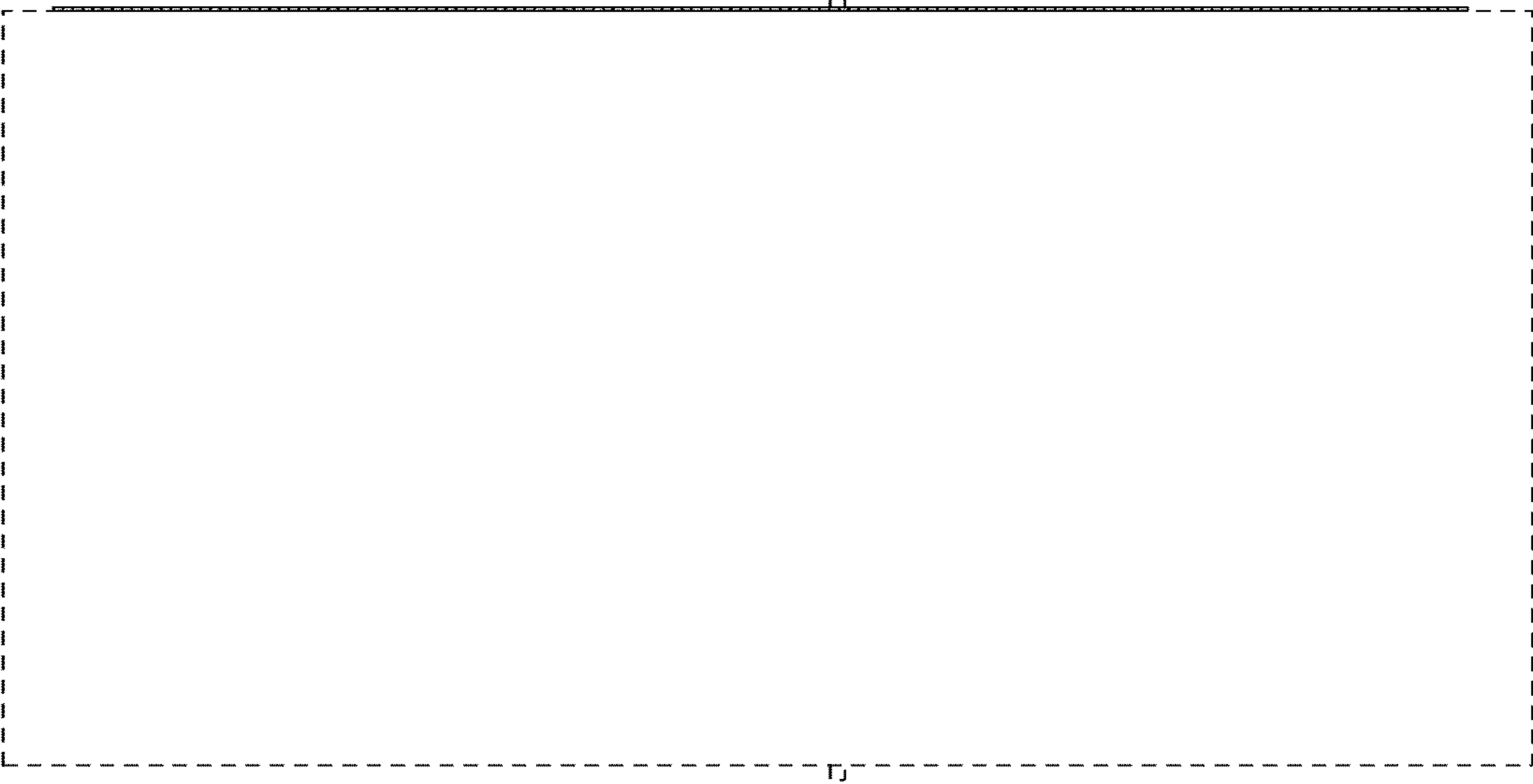
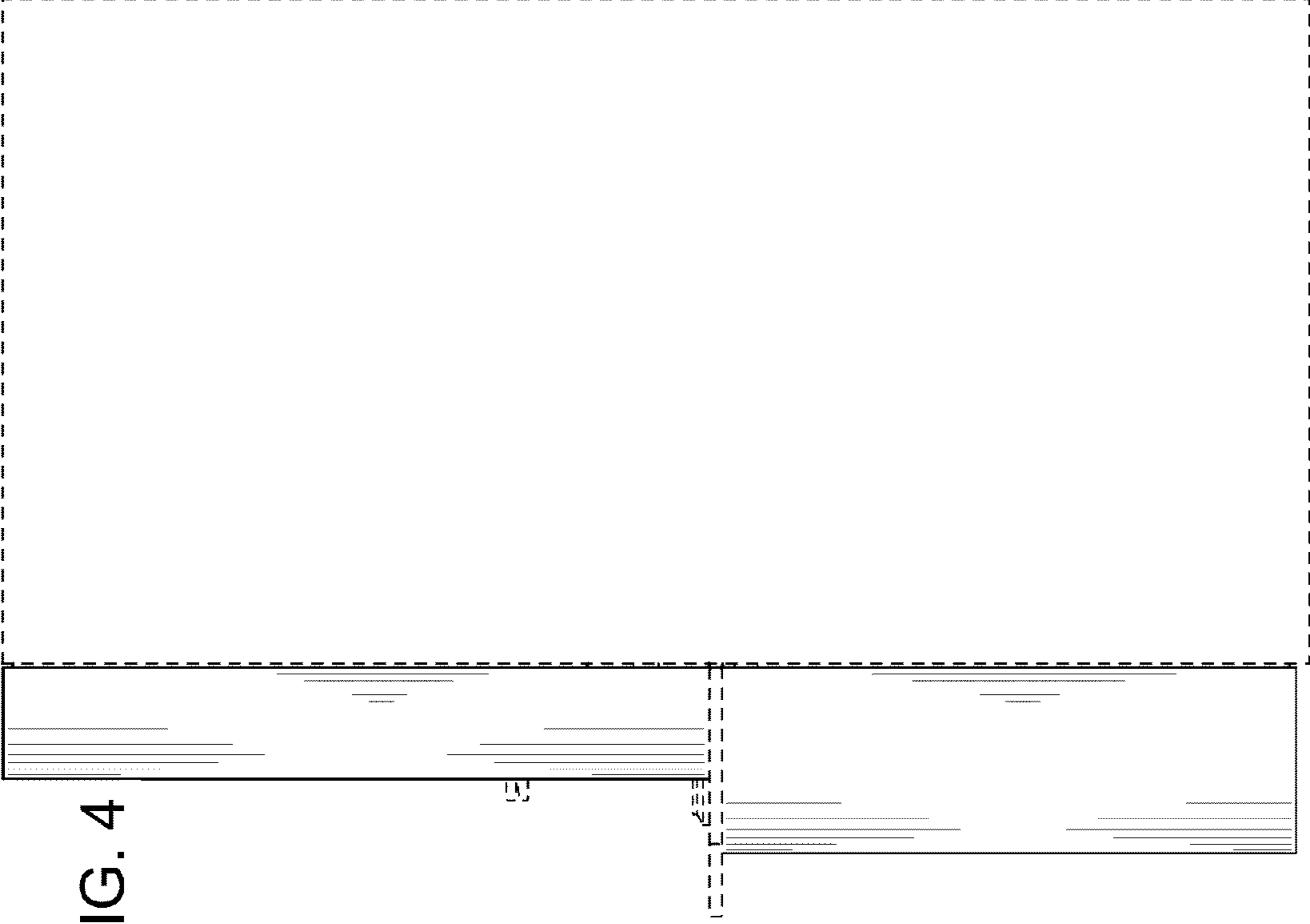


FIG. 4



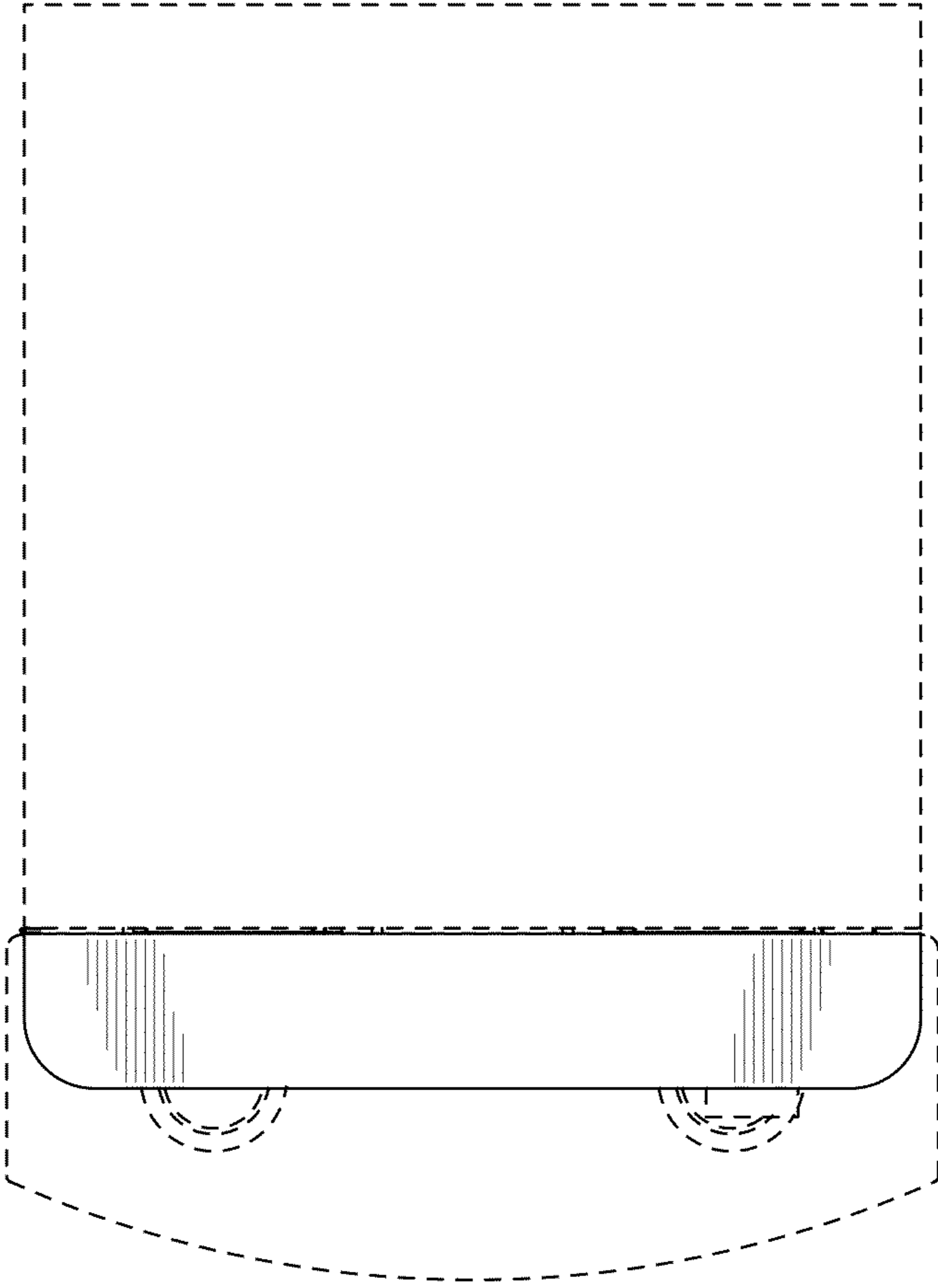


FIG. 6