



US00D747414S

(12) **United States Design Patent**
Chen et al.

(10) **Patent No.:** **US D747,414 S**
(45) **Date of Patent:** **** Jan. 12, 2016**

(54) **BEVERAGE MACHINE**

(56) **References Cited**

(71) Applicant: **Hisense Ronshen (Guangdong) Refrigerator Co., Ltd.**, Guangdong (CN)
(72) Inventors: **Jia Chen**, Guangdong (CN); **Xiang Wu**, Guangdong (CN); **Xianhui Xu**, Guangdong (CN)

U.S. PATENT DOCUMENTS

D185,148	S	*	5/1959	Wilmette	D20/1
6,397,126	B1	*	5/2002	Nelson	700/236
D597,605	S	*	8/2009	Davis	D20/1
D716,093	S	*	10/2014	Jakeman et al.	D7/306
D728,026	S	*	4/2015	Broen et al.	D20/1
D728,027	S	*	4/2015	Plakas et al.	D20/1
2009/0277604	A1	*	11/2009	Kang et al.	165/56
2011/0301749	A1	*	12/2011	Hammonds et al.	700/232
2012/0330461	A1	*	12/2012	Doom	700/232

(**) Term: **14 Years**

* cited by examiner

(21) Appl. No.: **29/499,618**

Primary Examiner — Mary Ann Calabrese

(22) Filed: **Aug. 18, 2014**

(74) *Attorney, Agent, or Firm* — Prakash Nama; Global IP Services, PLLC

(30) **Foreign Application Priority Data**

Feb. 19, 2014 (CN) 2014 3 0029991

(51) **LOC (10) Cl.** **20-01**

(57) **CLAIM**

(52) **U.S. Cl.**

The ornamental design for a beverage machine, as shown.

USPC **D20/1; D7/307; D7/308**

(58) **Field of Classification Search**

DESCRIPTION

USPC D20/1-9; D99/28; D6/512, 515, 517; D7/305-312; D15/89

CPC G07F 9/00; G07F 9/02; G07F 9/026;

G07F 9/06; G07F 11/00; G07F 11/007;

G07F 11/02; G07F 11/06; G07F 11/10;

G07F 11/24; G07F 11/21; G07F 11/38;

G07F 11/62; G07F 11/165; G07F 13/00;

G07F 13/10; G07F 17/42

FIG. 1 is a front elevational view of the beverage machine showing my new design;

FIG. 2 is a left side view thereof;

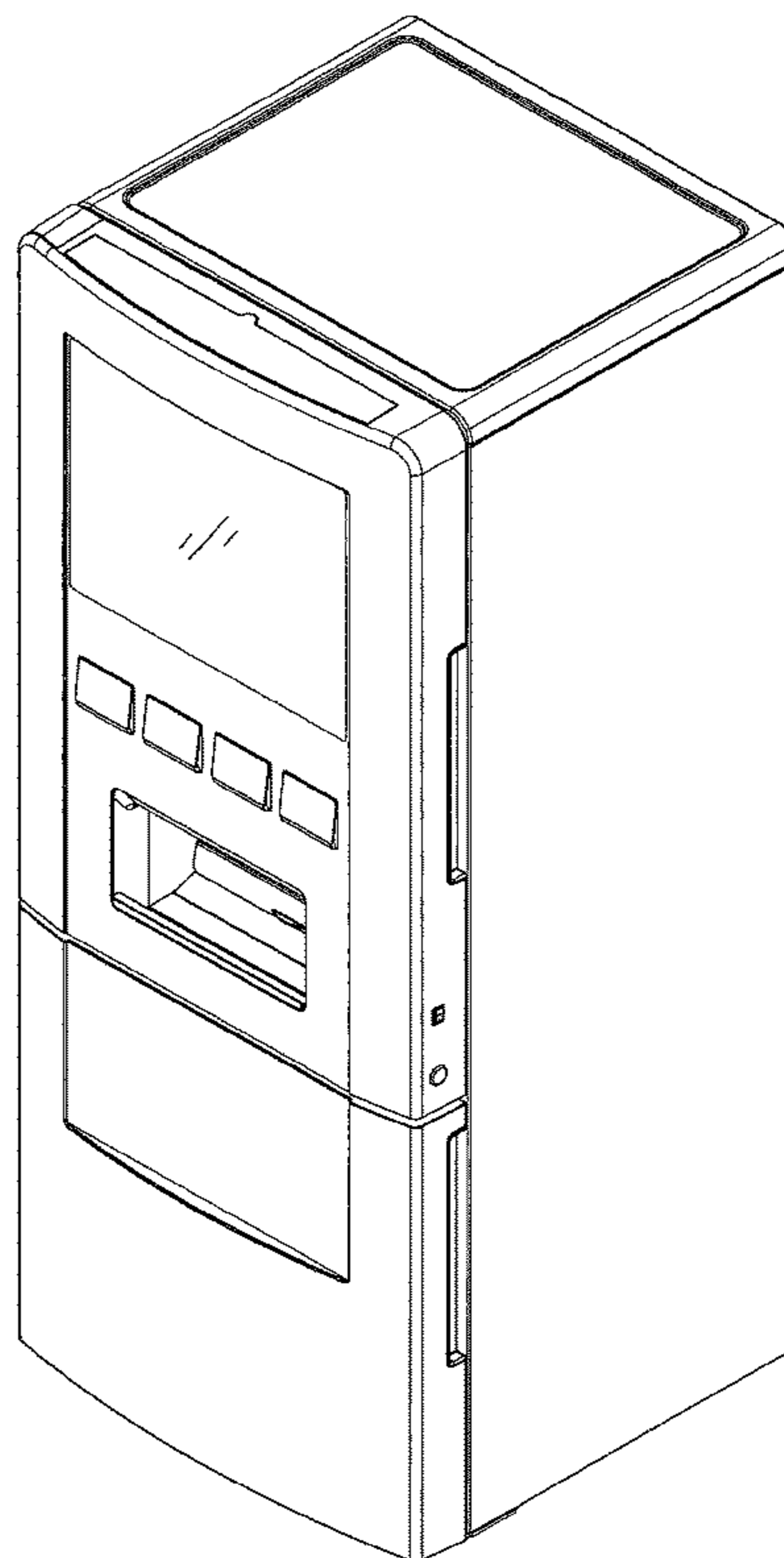
FIG. 3 is a right side view thereof;

FIG. 4 is a top plan view thereof; and,

FIG. 5 is a perspective view thereof.

See application file for complete search history.

1 Claim, 5 Drawing Sheets



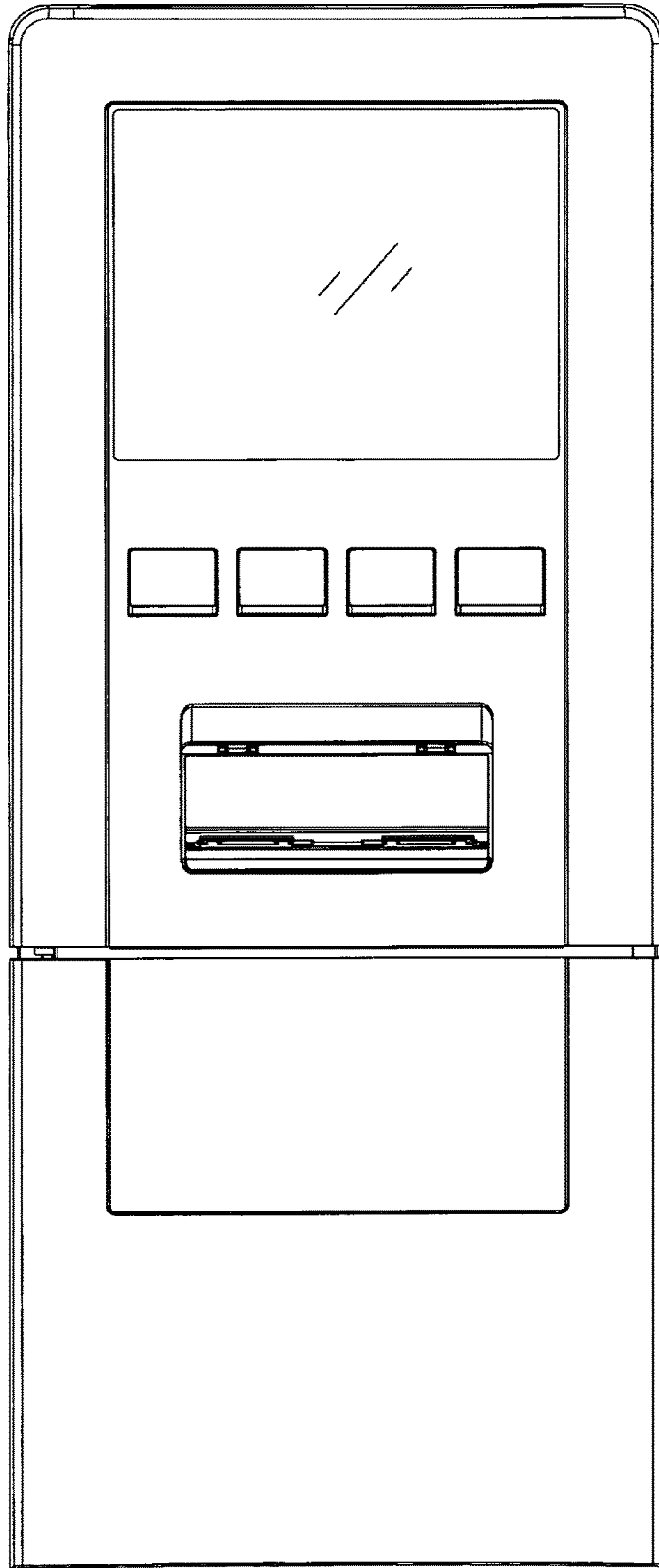


FIG. 1

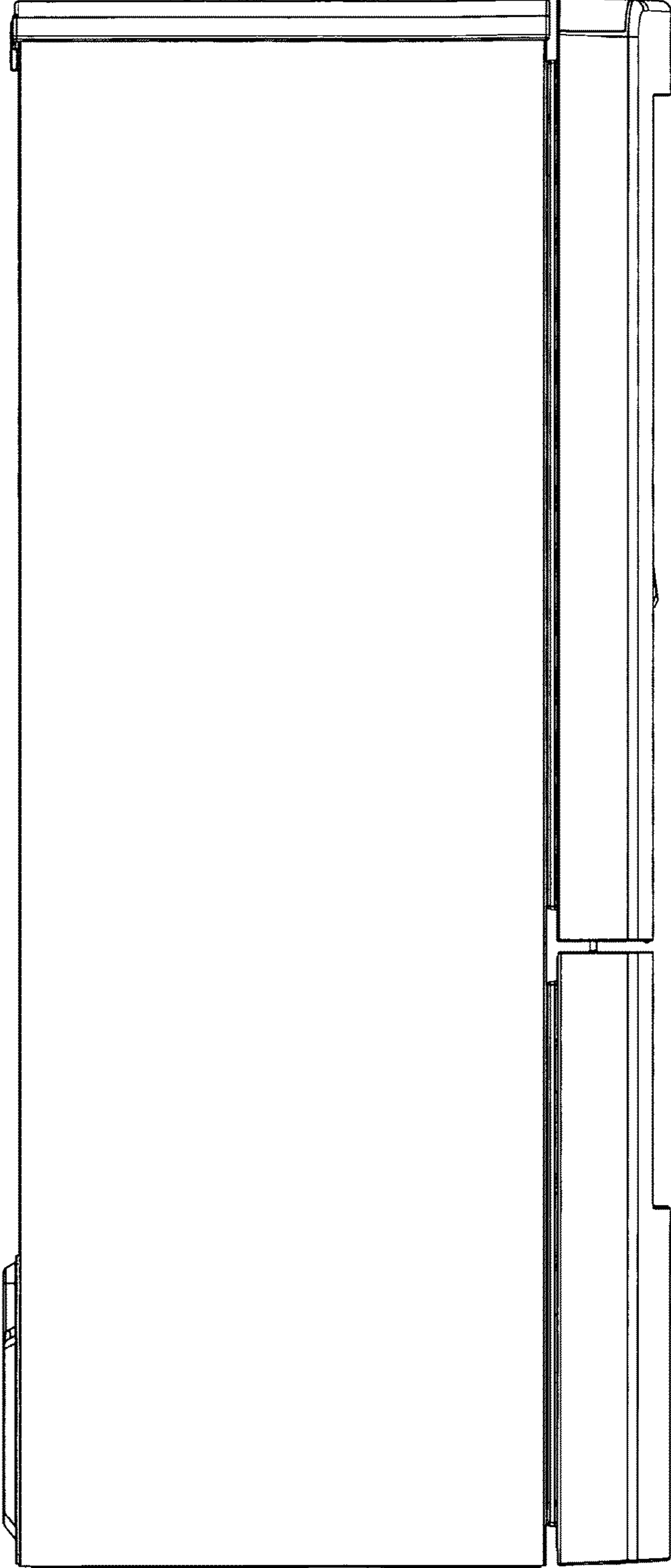


FIG. 2

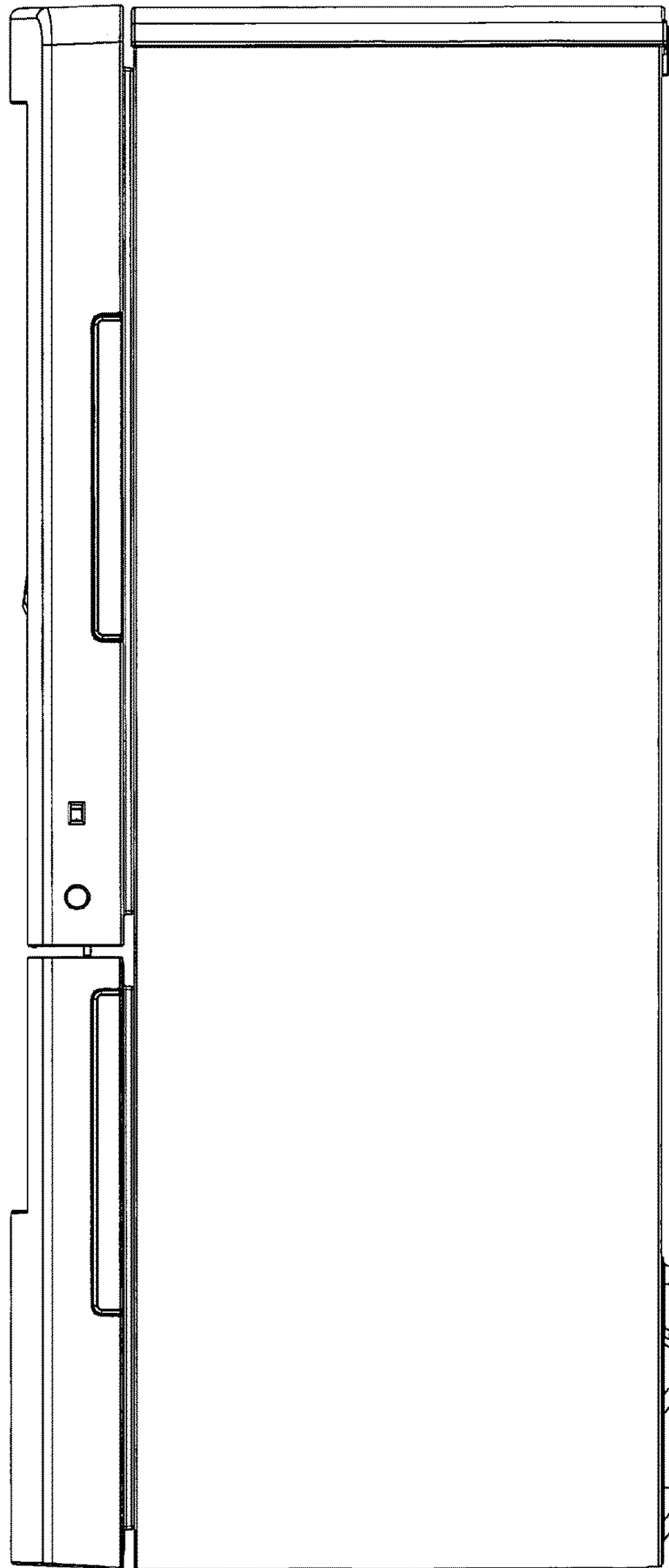


FIG. 3

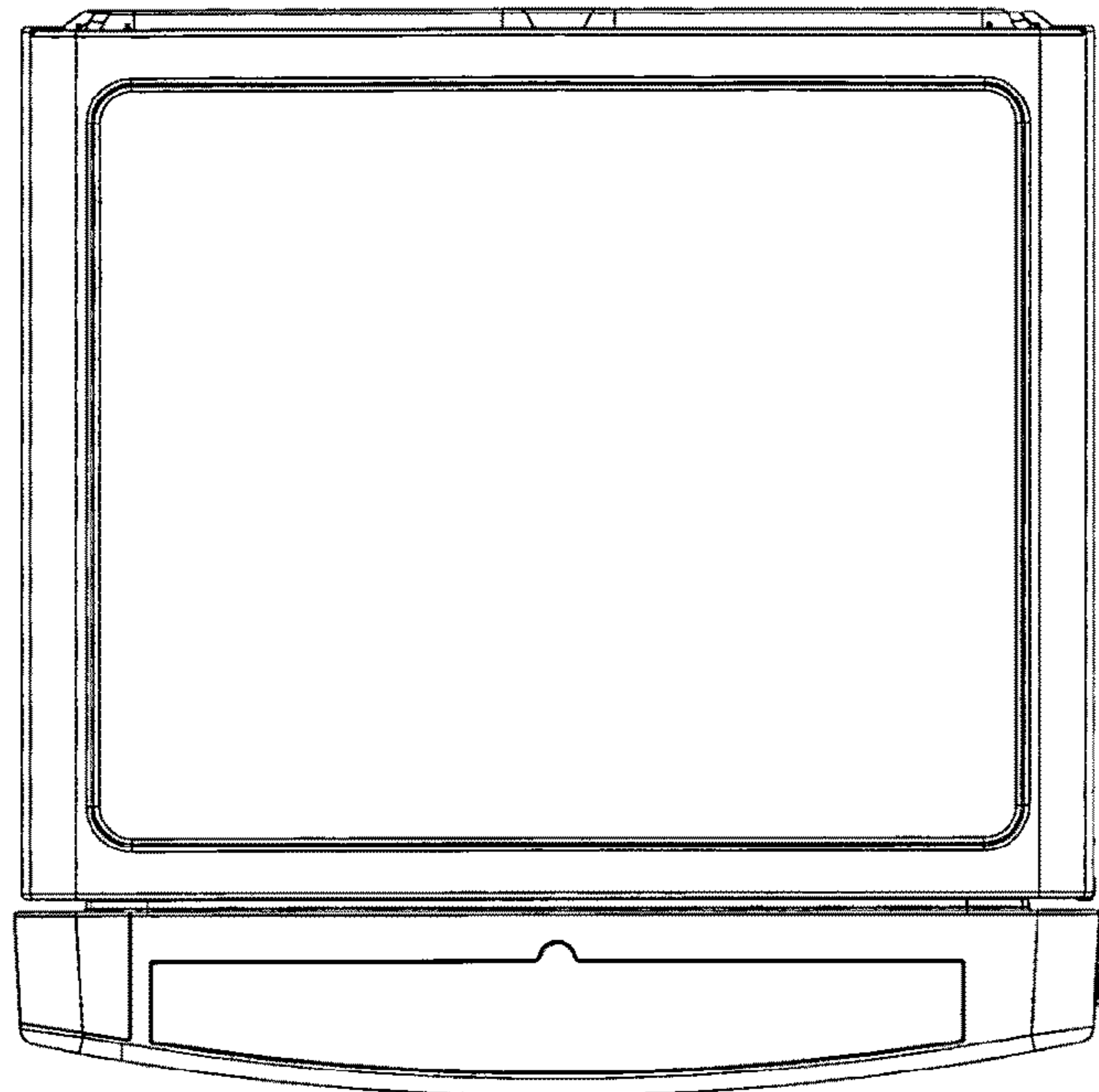


FIG. 4

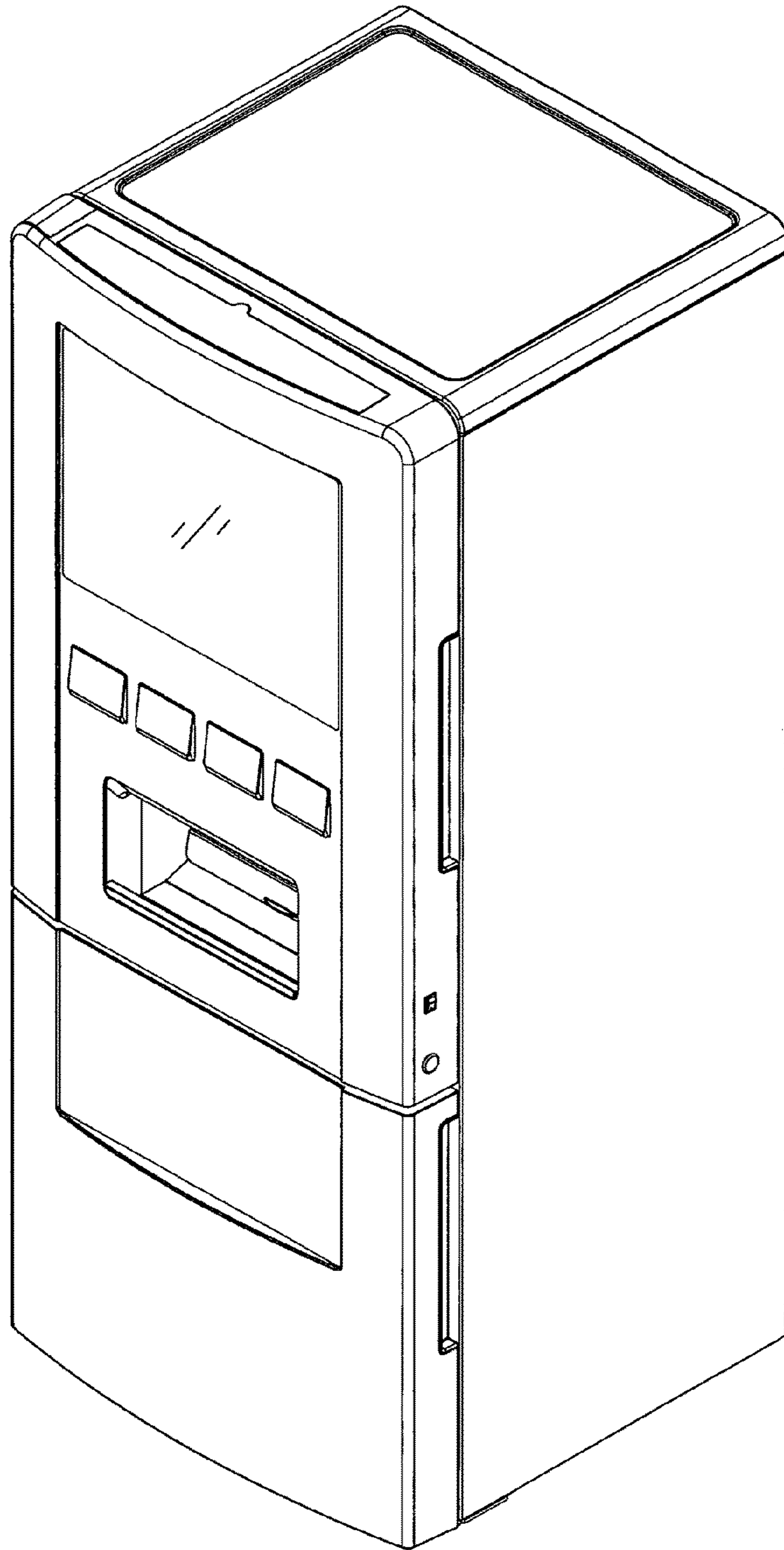


FIG. 5