



US00D747411S

(12) **United States Design Patent**  
**Olschan et al.**

(10) **Patent No.:** **US D747,411 S**

(45) **Date of Patent:** **\*\* Jan. 12, 2016**

(54) **COMPASS**

(71) Applicant: **Acme United Corporation**, Fairfield, CT (US)

(72) Inventors: **Brian S. Olschan**, Madison, CT (US);  
**Sarah A. Albano**, Fairfield, CT (US);  
**Siu-Leung Tang**, Hong Kong (CN)

(73) Assignee: **Acme United Corporation**, Fairfield, CT (US)

(\*\*) Term: **14 Years**

(21) Appl. No.: **29/512,385**

(22) Filed: **Dec. 18, 2014**

(51) **LOC (10) Cl.** ..... **19-06**

(52) **U.S. Cl.**  
USPC ..... **D19/38**

(58) **Field of Classification Search**  
USPC ..... D19/101, 108, 37, 38; 33/27.02, 558.5  
CPC ..... B43L 9/02; B43L 9/06; B43L 9/14;  
B43L 9/16; B43L 9/20; B43L 9/24  
See application file for complete search history.

(56) **References Cited**

**U.S. PATENT DOCUMENTS**

814,453	A *	3/1906	Kern	33/558.5
D91,522	S *	2/1934	Hochman	D19/38
2,066,147	A *	12/1936	Hassenfeld	33/27.02
2,080,917	A *	5/1937	Hochman	33/27.02
2,187,519	A *	1/1940	Meilner	33/27.02
2,582,585	A *	1/1952	De Cesaris	33/27.02
2,764,816	A *	10/1956	De Cesaris	33/27.02
4,858,326	A *	8/1989	Warwicker	33/27.02
5,090,127	A *	2/1992	Shapiro et al.	33/27.02
D356,114	S *	3/1995	Chang	D19/38
6,039,492	A *	3/2000	Chen	401/195
D451,140	S *	11/2001	Shapiro	D19/38
D453,530	S *	2/2002	Bardet	D19/38

D469,804	S *	2/2003	Bardet	D19/38
D477,844	S *	7/2003	Shapiro	D19/38
D504,912	S *	5/2005	Racamier et al.	D19/38
D504,913	S *	5/2005	Racamier et al.	D19/38
D505,451	S *	5/2005	Racamier et al.	D19/38
D554,181	S *	10/2007	Shapiro	D19/38
8,042,278	B2 *	10/2011	Luttgens	33/27.02
D714,864	S *	10/2014	Farnworth et al.	D19/38
2003/0079354	A1 *	5/2003	McLean et al.	33/27.033

\* cited by examiner

*Primary Examiner* — Elizabeth Albert

(74) *Attorney, Agent, or Firm* — Alix, Yale & Ristas, LLP

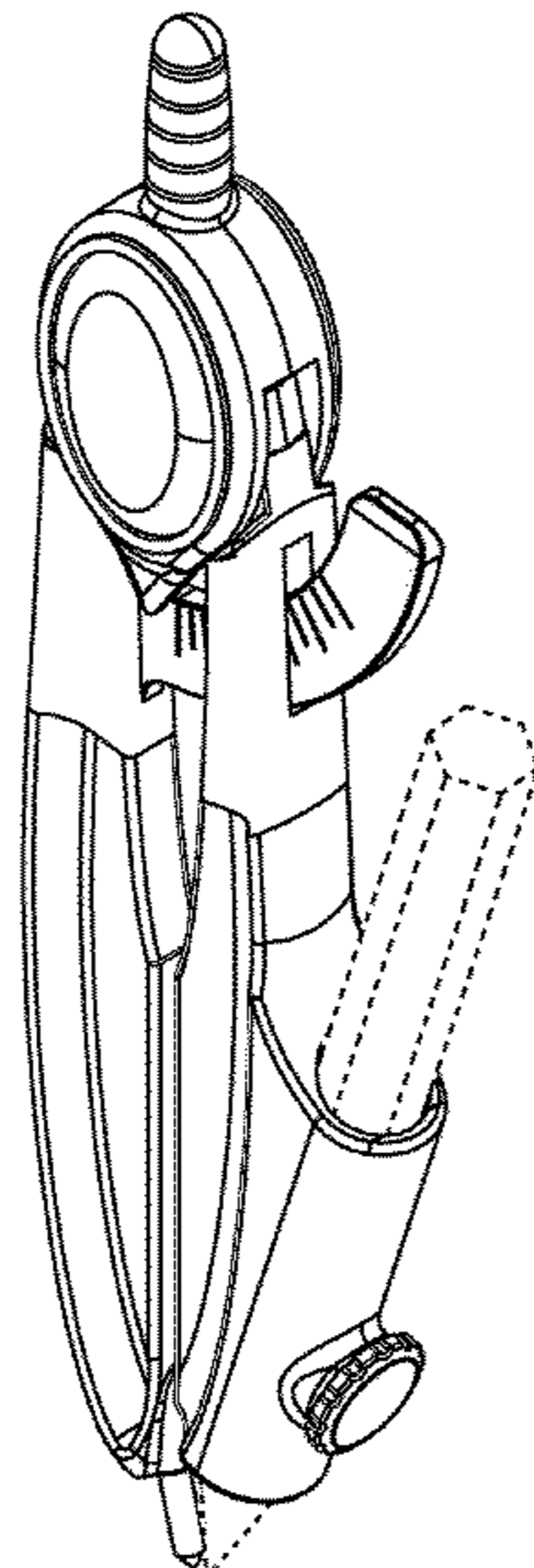
(57) **CLAIM**

The ornamental design for a compass, as shown and described.

**DESCRIPTION**

FIG. 1 is a perspective view of the compass in a folded configuration showing the new design;  
 FIG. 2 is a front view thereof;  
 FIG. 3 is a rear view thereof;  
 FIG. 4 is a right side view thereof;  
 FIG. 5 is a left side view thereof;  
 FIG. 6 is a top plan view thereof;  
 FIG. 7 is a bottom plan view thereof;  
 FIG. 8 is a perspective view of the compass in an expanded configuration;  
 FIG. 9 is a front view thereof;  
 FIG. 10 is a rear view thereof;  
 FIG. 11 is a right side view thereof;  
 FIG. 12 is a left side view thereof;  
 FIG. 13 is a top plan view thereof; and,  
 FIG. 14 is a bottom plan view thereof.  
 The broken lines in the drawings are included to show portions of the compass and a pencil that form no part of the claimed design.

**1 Claim, 10 Drawing Sheets**



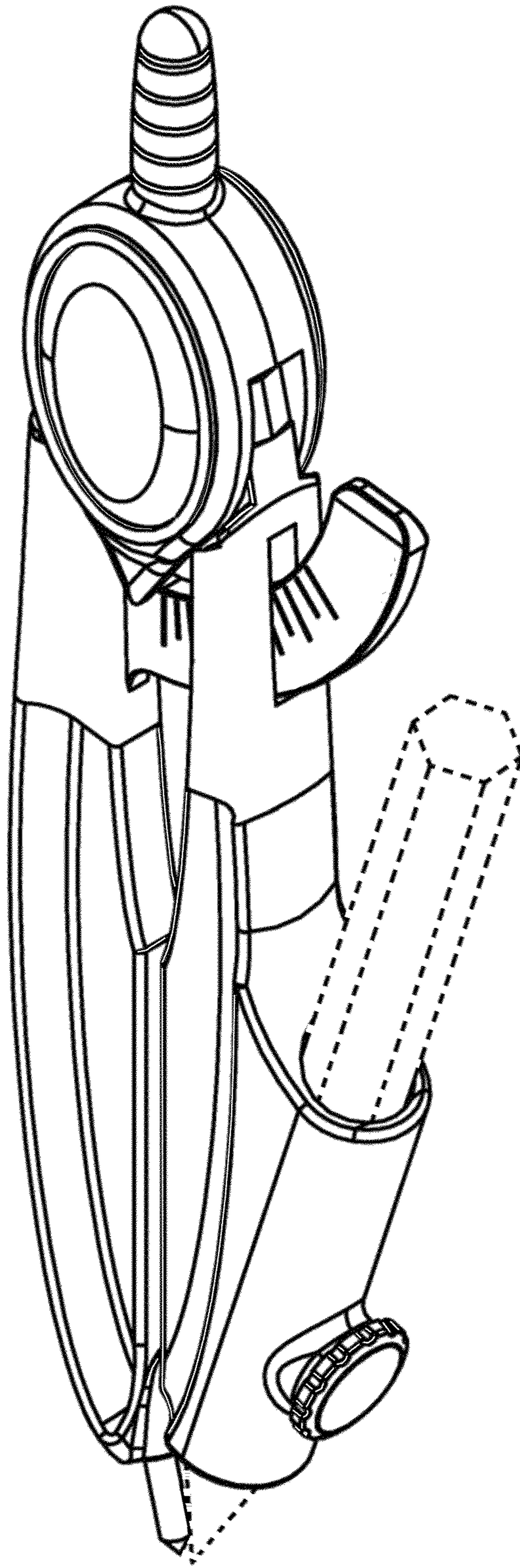


FIG. 1



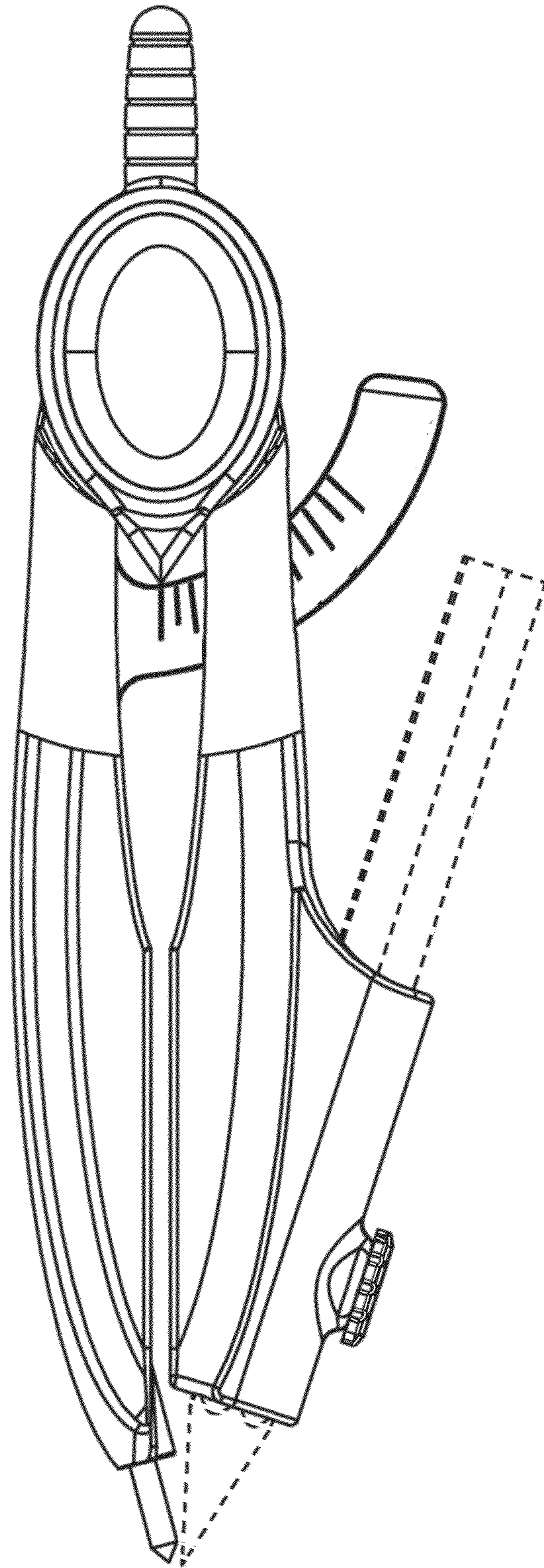


FIG. 2

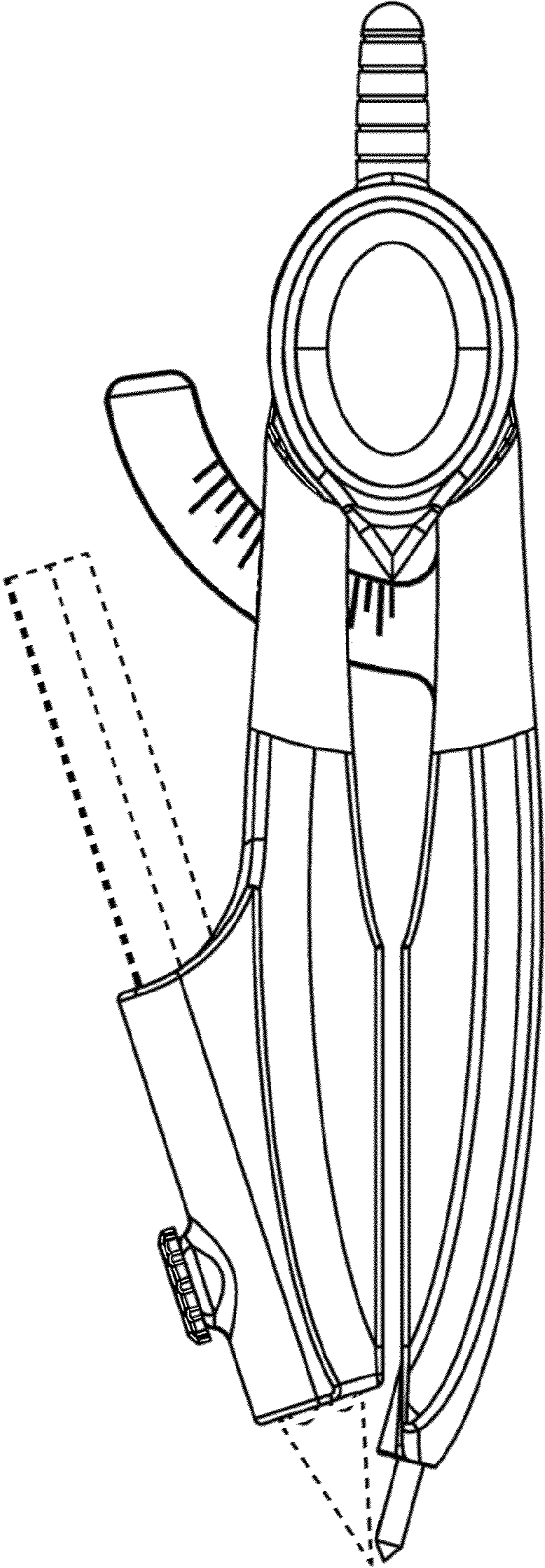


FIG. 3



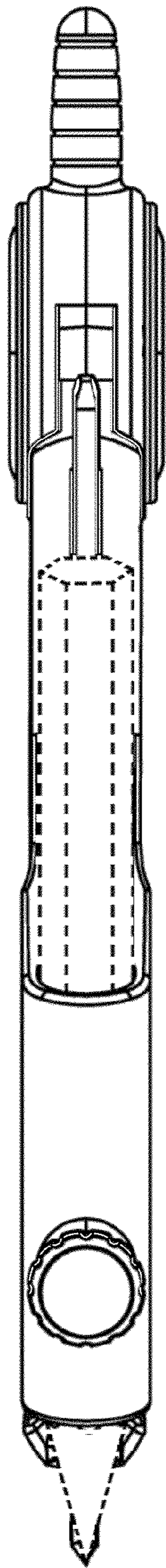


FIG. 4

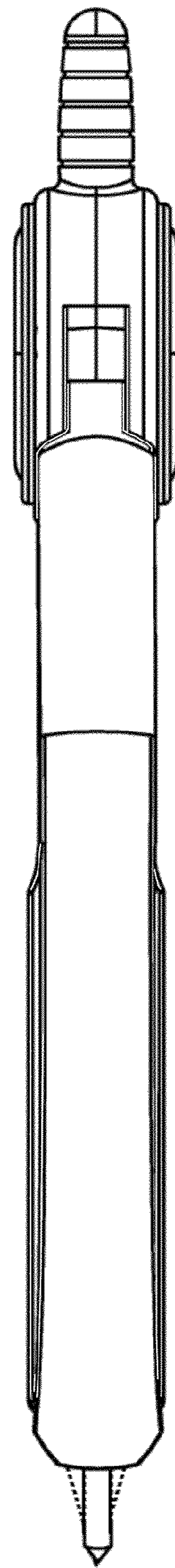


FIG. 5

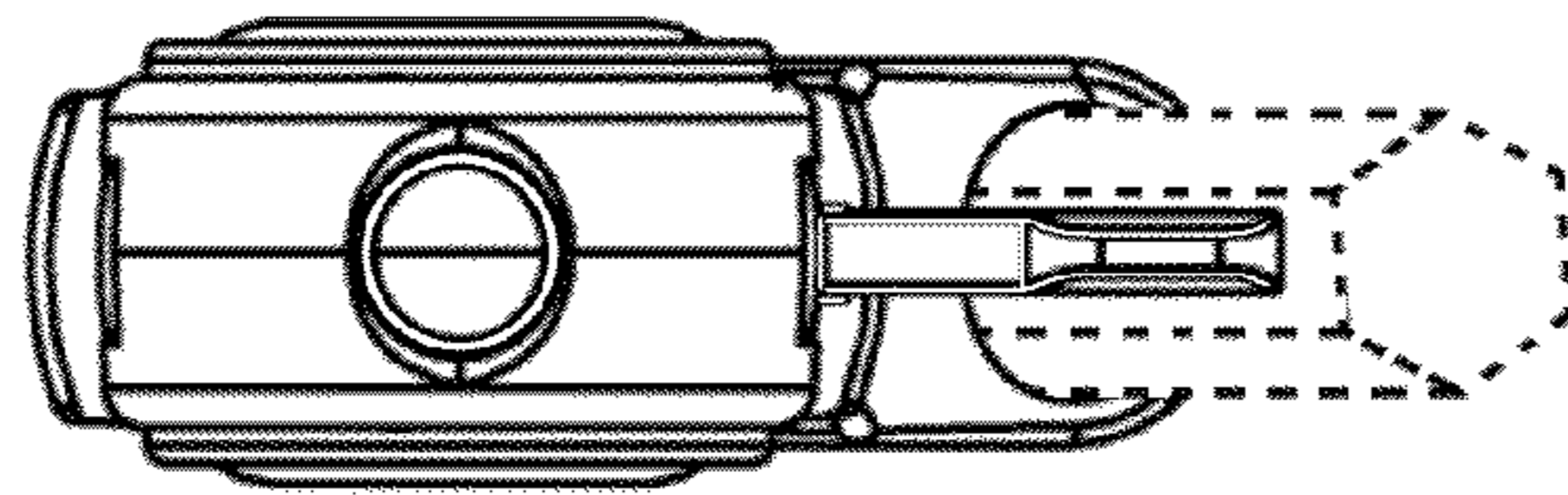


FIG. 6

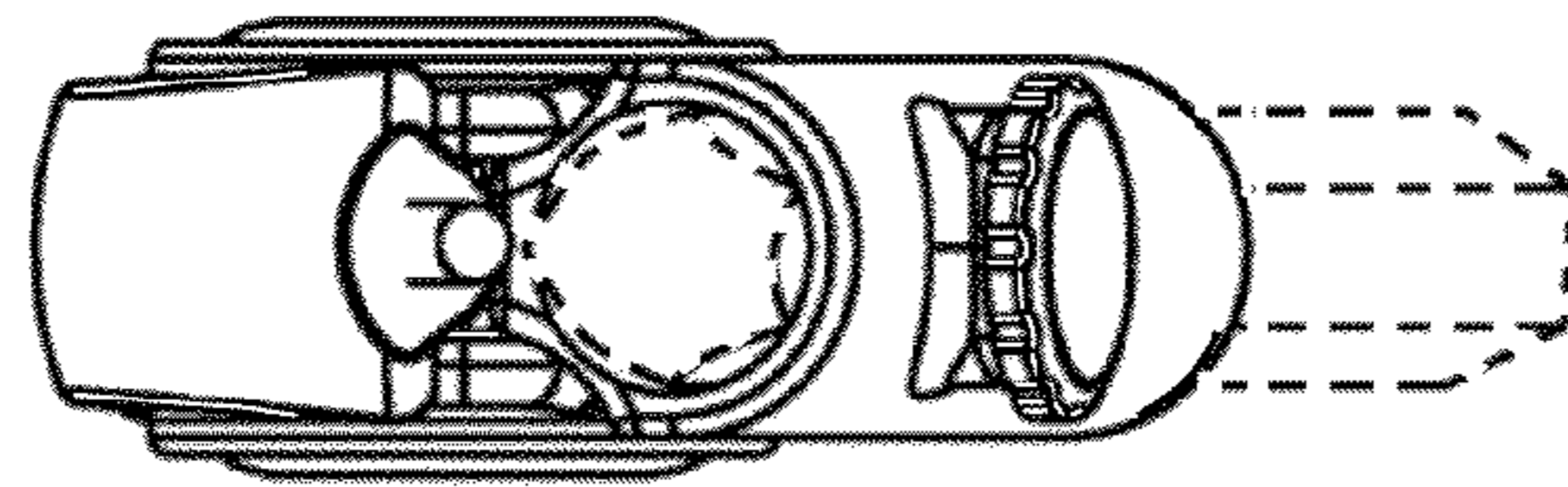


FIG. 7

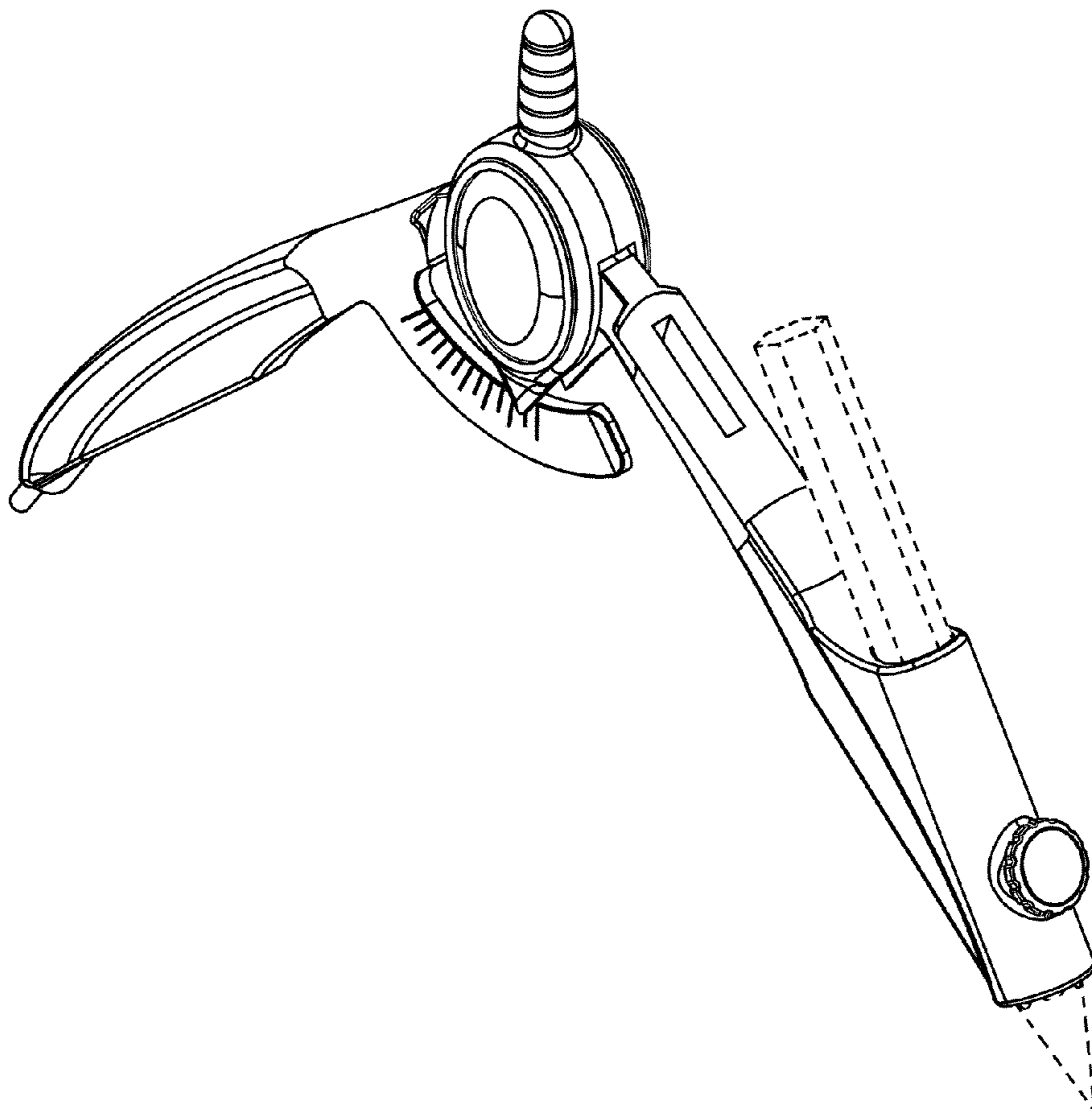


FIG. 8

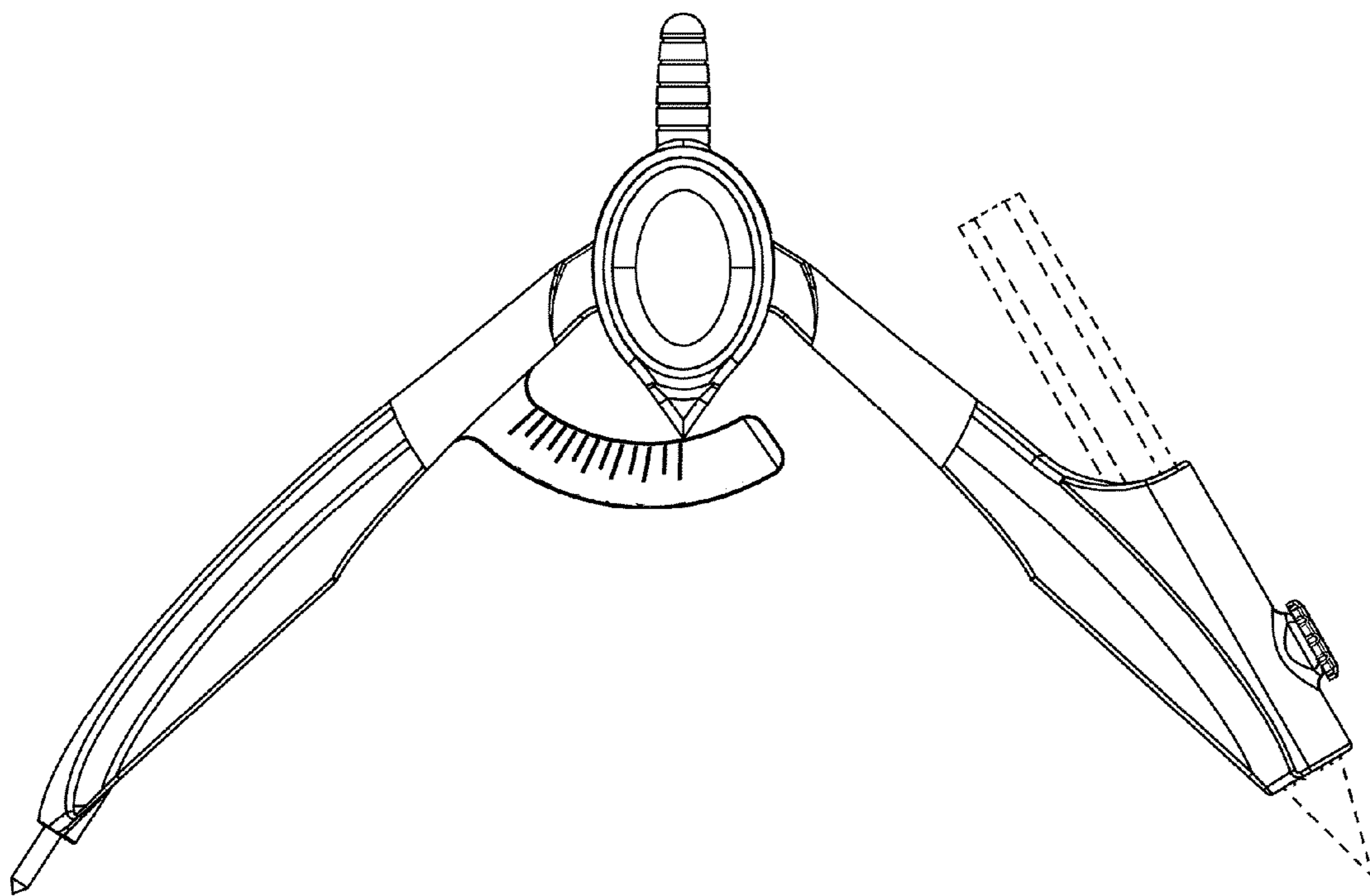


FIG. 9



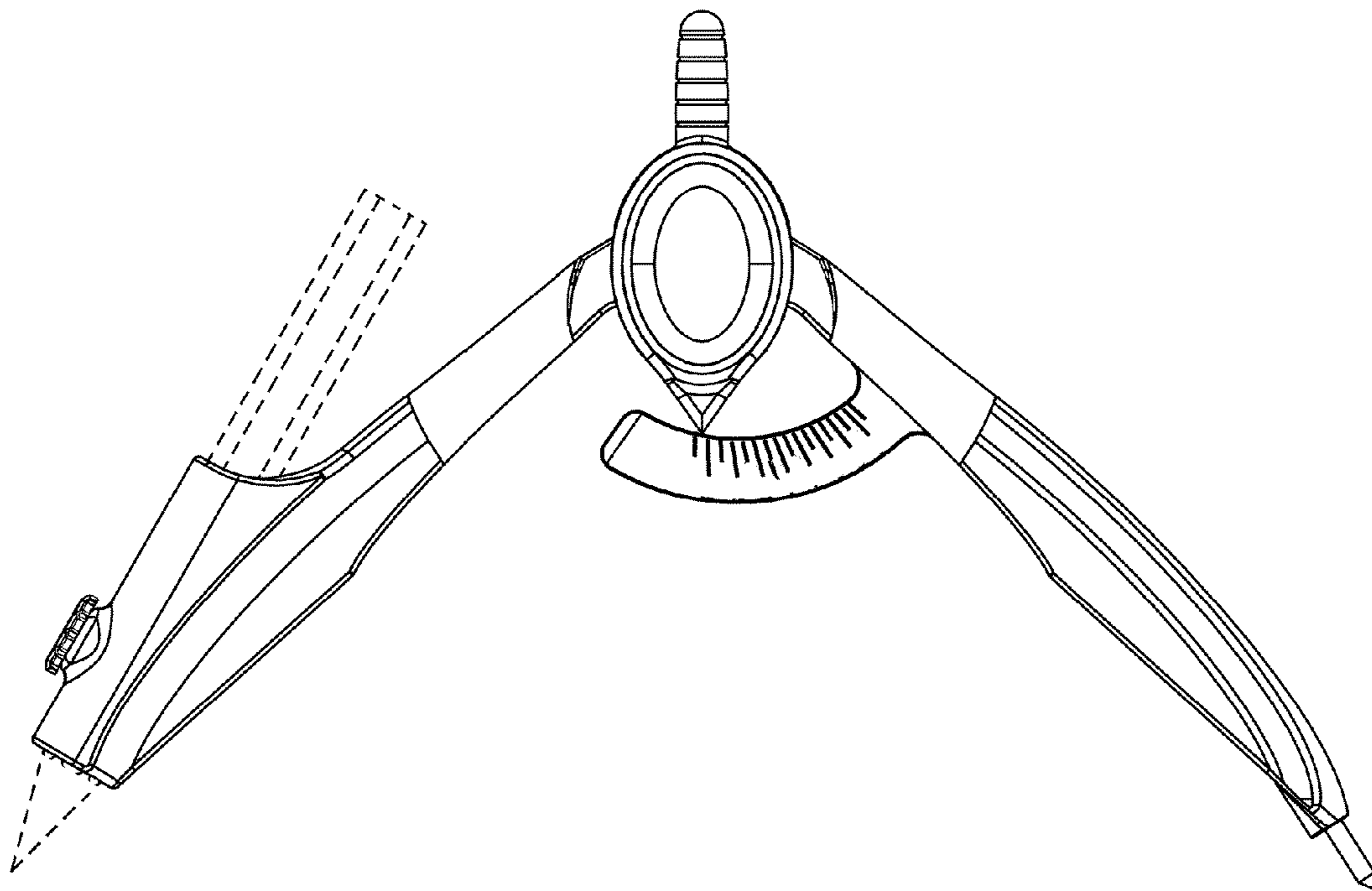


FIG. 10

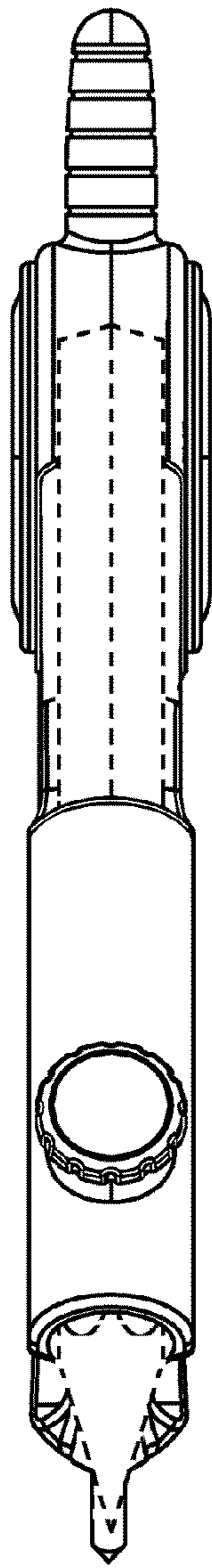


FIG. 11

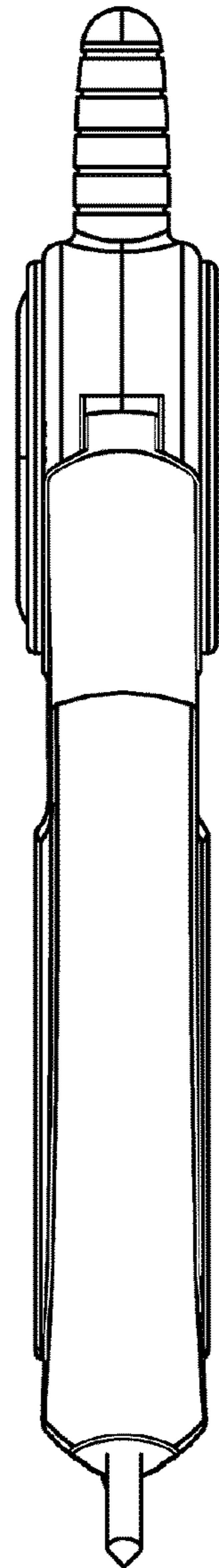


FIG. 12

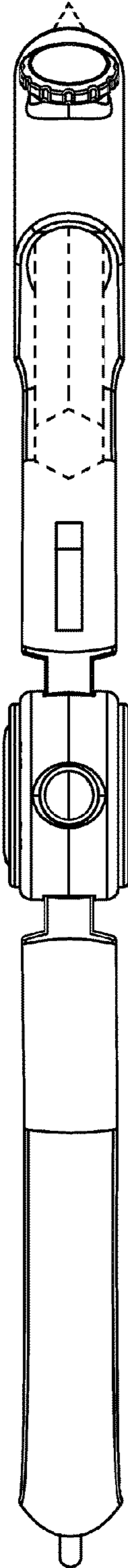


FIG. 13

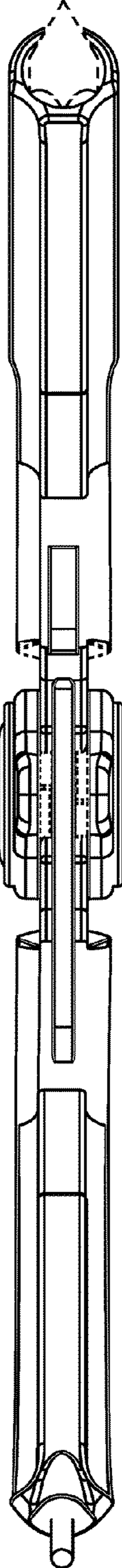


FIG. 14