



US00D747406S

(12) **United States Design Patent**
Sweet et al.

(10) **Patent No.:** **US D747,406 S**
(45) **Date of Patent:** **** Jan. 12, 2016**

(54) **SHREDDER**

FOREIGN PATENT DOCUMENTS

(71) Applicant: **Fellowes, Inc.**, Itasca, IL (US)
(72) Inventors: **Christopher David Sweet**, Chicago, IL (US); **Shawn Michael Applegate**, Wood Dale, IL (US)

EM 000614136-0001 * 12/2006
EM 002439810-0001 * 7/2014
EM 002439810-0002 * 7/2014
EM 002439810-0003 * 7/2014

(73) Assignee: **FELLOWES, INC.**, Itasca, IL (US)

OTHER PUBLICATIONS

(**) Term: **14 Years**

Guys Gab. <URL: <http://www.guysgab.com/fellowes-automax-shredder-revolutionizing-the-way-you-shred/>>. Apr. 1, 2014. Fellowes AutoMax Shredder.*

(21) Appl. No.: **29/468,834**

YouTube. <URL: https://www.youtube.com/watch?t=30&v=Obk7HIP_o_0>. Nov. 26, 2014. Fellowes AutoMax Auto Feed Shredders.*

(22) Filed: **Nov. 22, 2013**

* cited by examiner

(51) **LOC (10) Cl.** **18-04**

Primary Examiner — Bridget L Eland

(52) **U.S. Cl.**

Assistant Examiner — Lauren McVey

USPC **D18/34.5**

(58) **Field of Classification Search**

(74) *Attorney, Agent, or Firm* — Pillsbury Winthrop Shaw Pittman LLP

USPC D18/34.3, 34.4, 34.5, 34.6, 34.9;
D23/356, 359, 360, 364; 241/100, 236,
241/30, 36

CPC B02C 18/00; B02C 18/0007; B02C
2018/164; B02C 2018/168; B02C 2018/0015

(57) **CLAIM**

The ornamental design for a shredder, as shown and described.

See application file for complete search history.

(56) **References Cited**

DESCRIPTION

U.S. PATENT DOCUMENTS

D286,051 S * 10/1986 Nakano D18/53
D299,148 S * 12/1988 Nishibori D18/19
D602,073 S * 10/2009 Holderfield D18/34.5
D615,123 S * 5/2010 Graves D18/34.5
D616,923 S * 6/2010 Kim D18/34.5
D616,924 S * 6/2010 Kim D18/34.5
D683,439 S * 5/2013 Choi D23/364
D695,337 S * 12/2013 Choi D18/34.5
D705,860 S * 5/2014 Zhou D18/34.5
D724,654 S * 3/2015 Labat D18/34.5
2009/0014565 A1 * 1/2009 Matlin B02C 18/0007
241/222
2010/0327091 A1 * 12/2010 Ko B02C 18/0007
241/25
2012/0018554 A1 * 1/2012 Seo B02C 18/0007
241/101.2

FIG. 1 is a front perspective view of a shredder showing our new design;

FIG. 2 is a front elevational view thereof;

FIG. 3 is a rear elevational view thereof;

FIG. 4 is a left side view thereof;

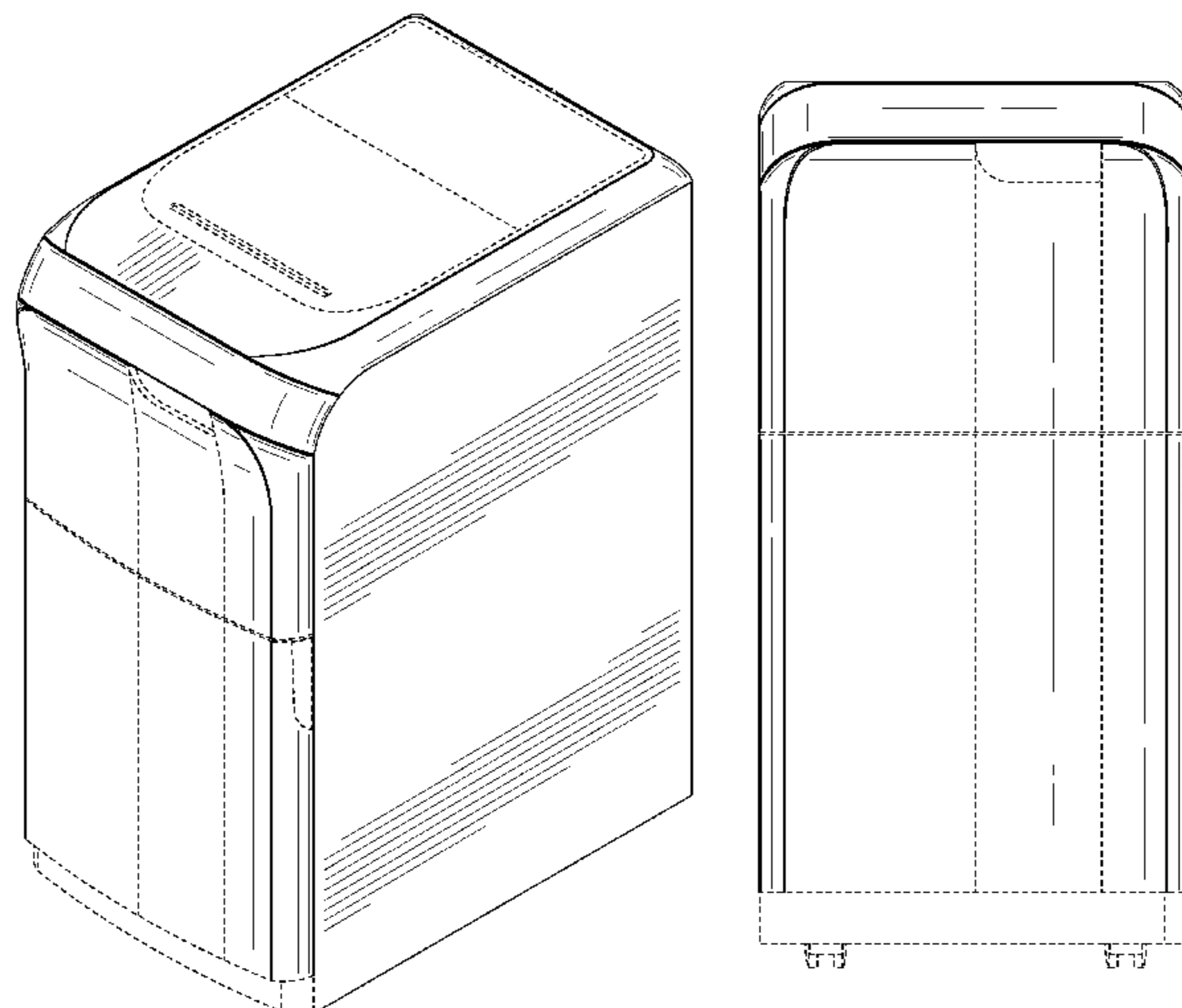
FIG. 5 is a right side view thereof;

FIG. 6 is a top plan view thereof; and,

FIG. 7 is bottom plan view thereof.

The broken lines immediately adjacent to the shaded areas, encompassing unshaded regions, represent unclaimed boundaries of the claimed design while all other broken lines are directed to environment and are for illustrative purposes only; the broken lines form no part of the claimed design.

1 Claim, 7 Drawing Sheets



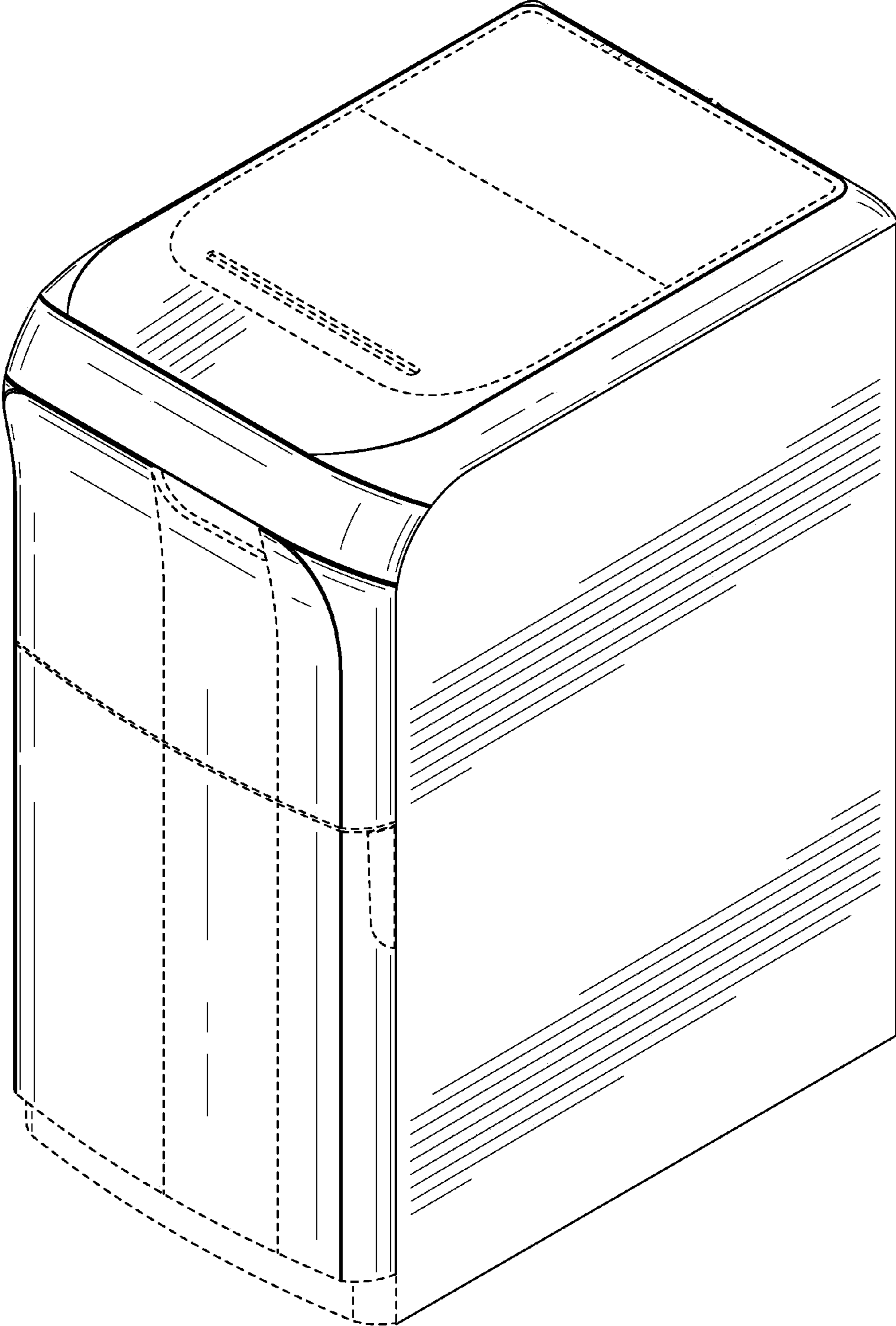


FIG. 1

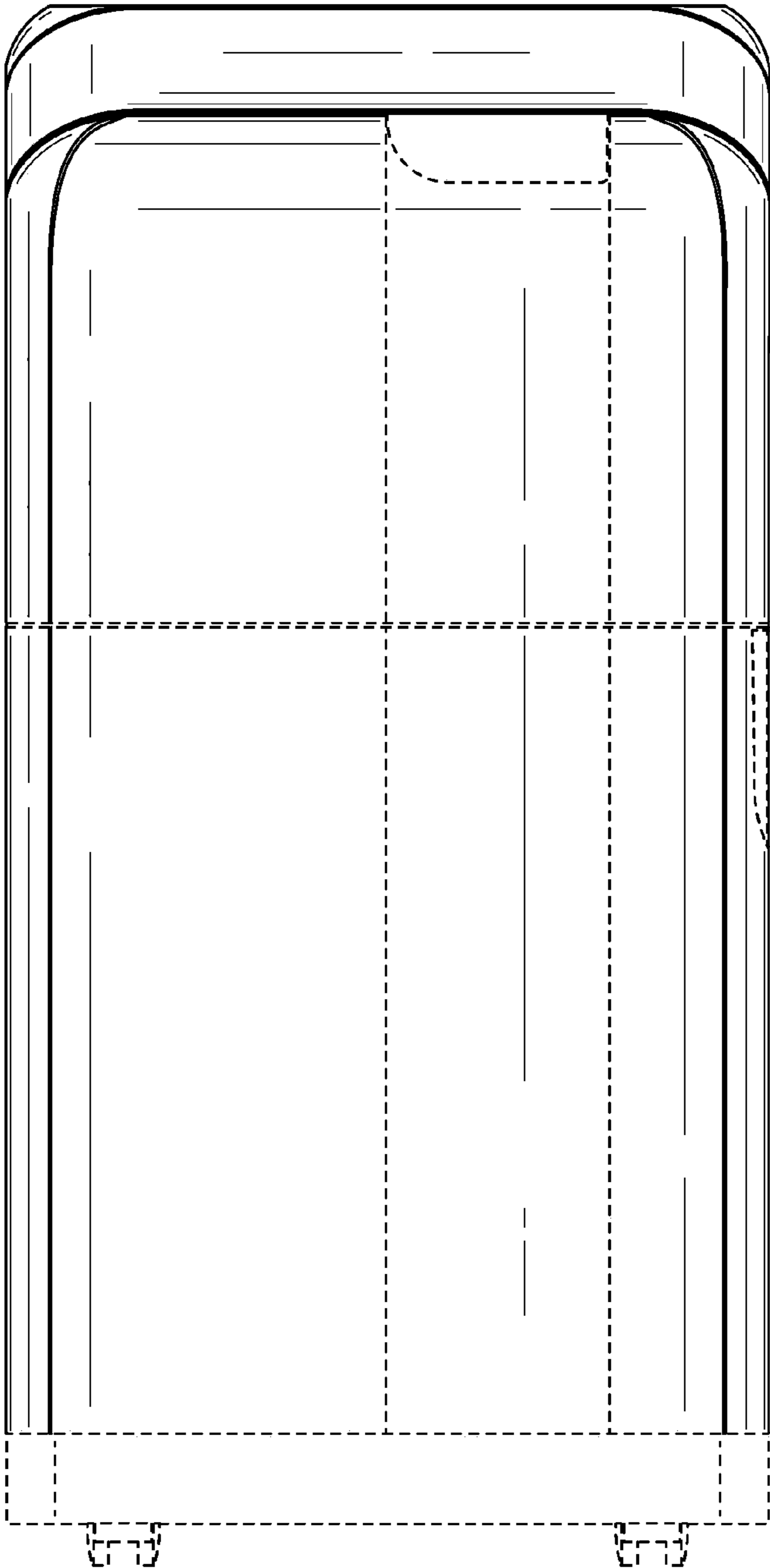


FIG. 2

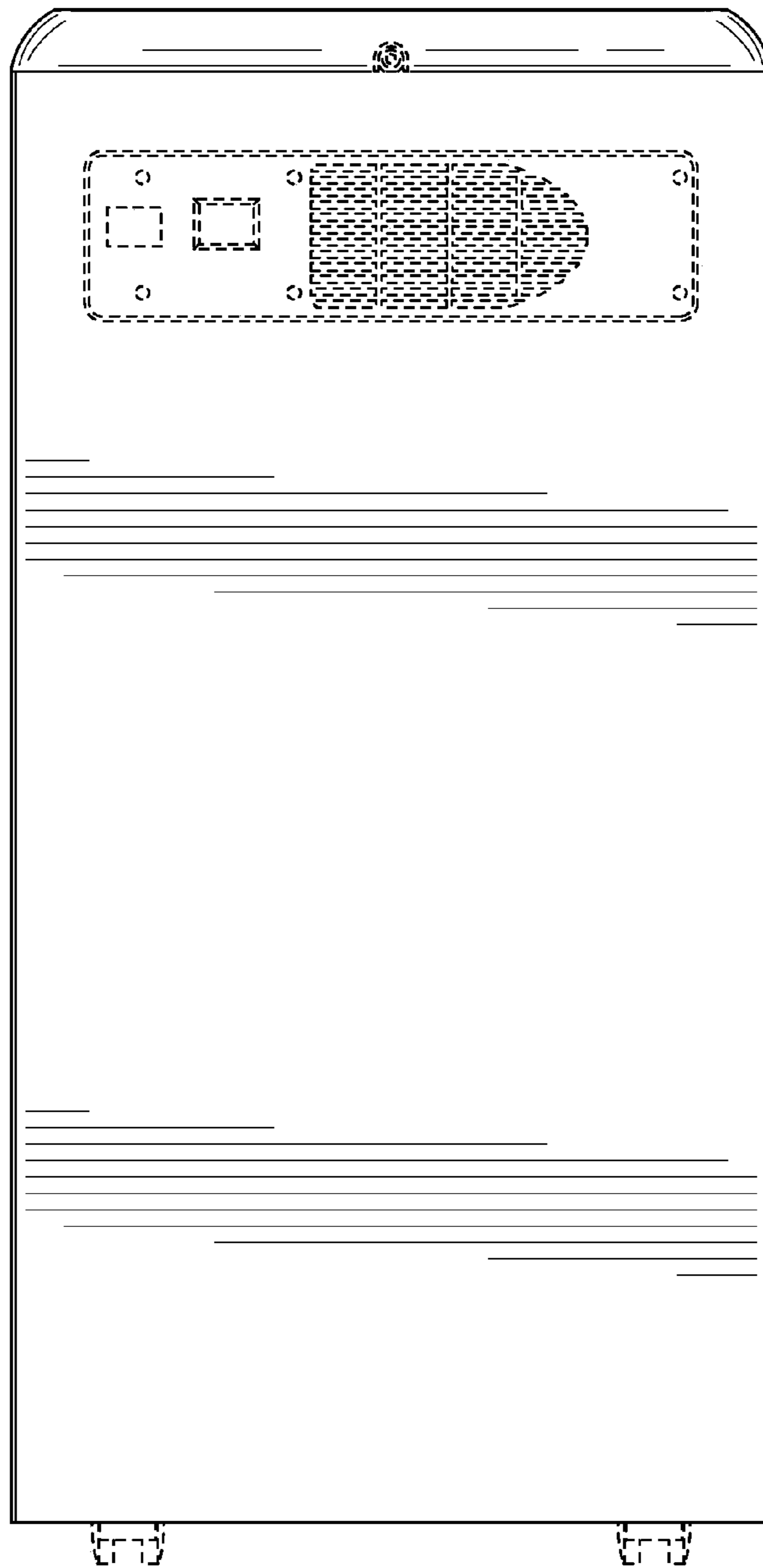


FIG. 3

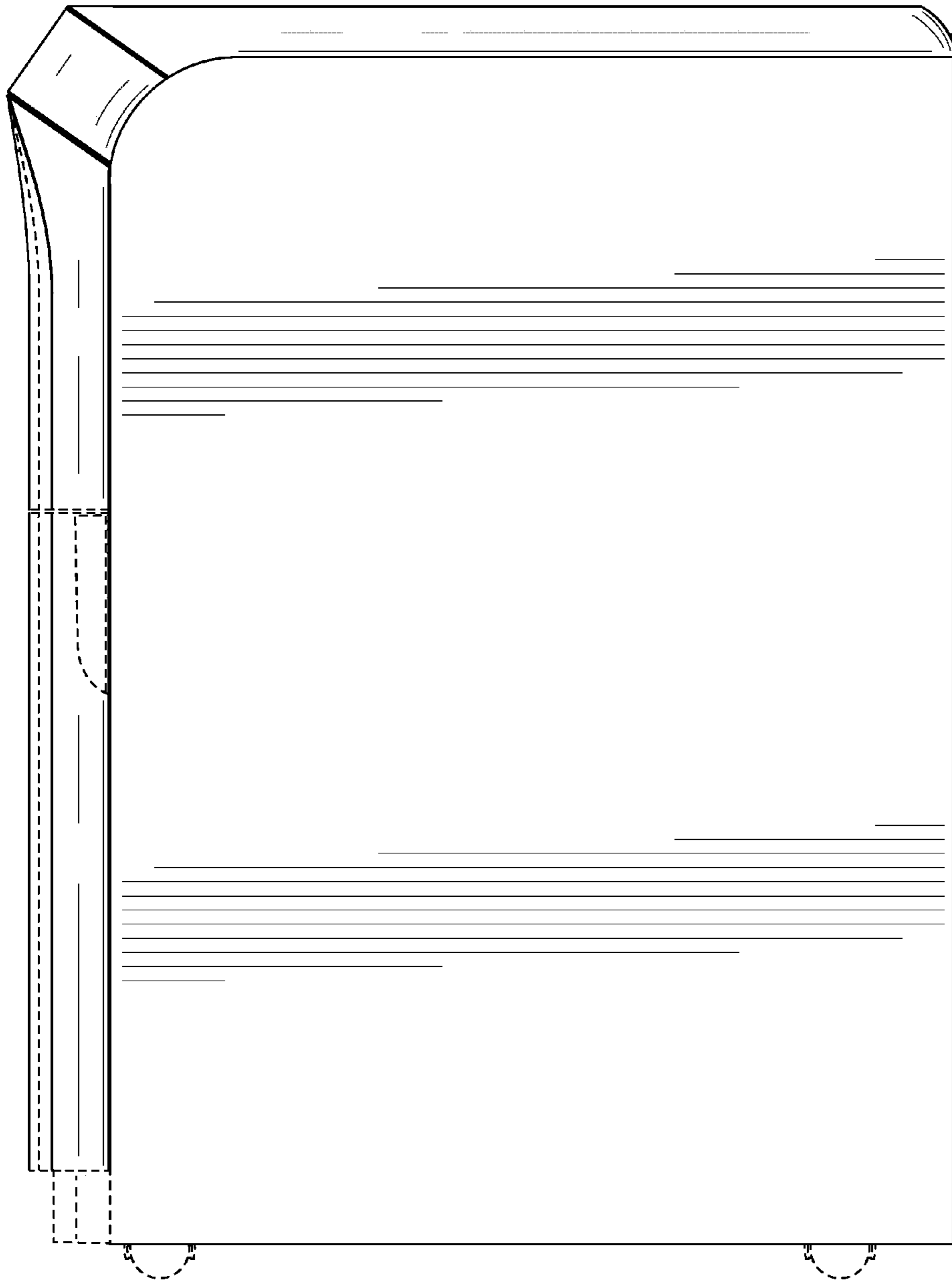


FIG. 4

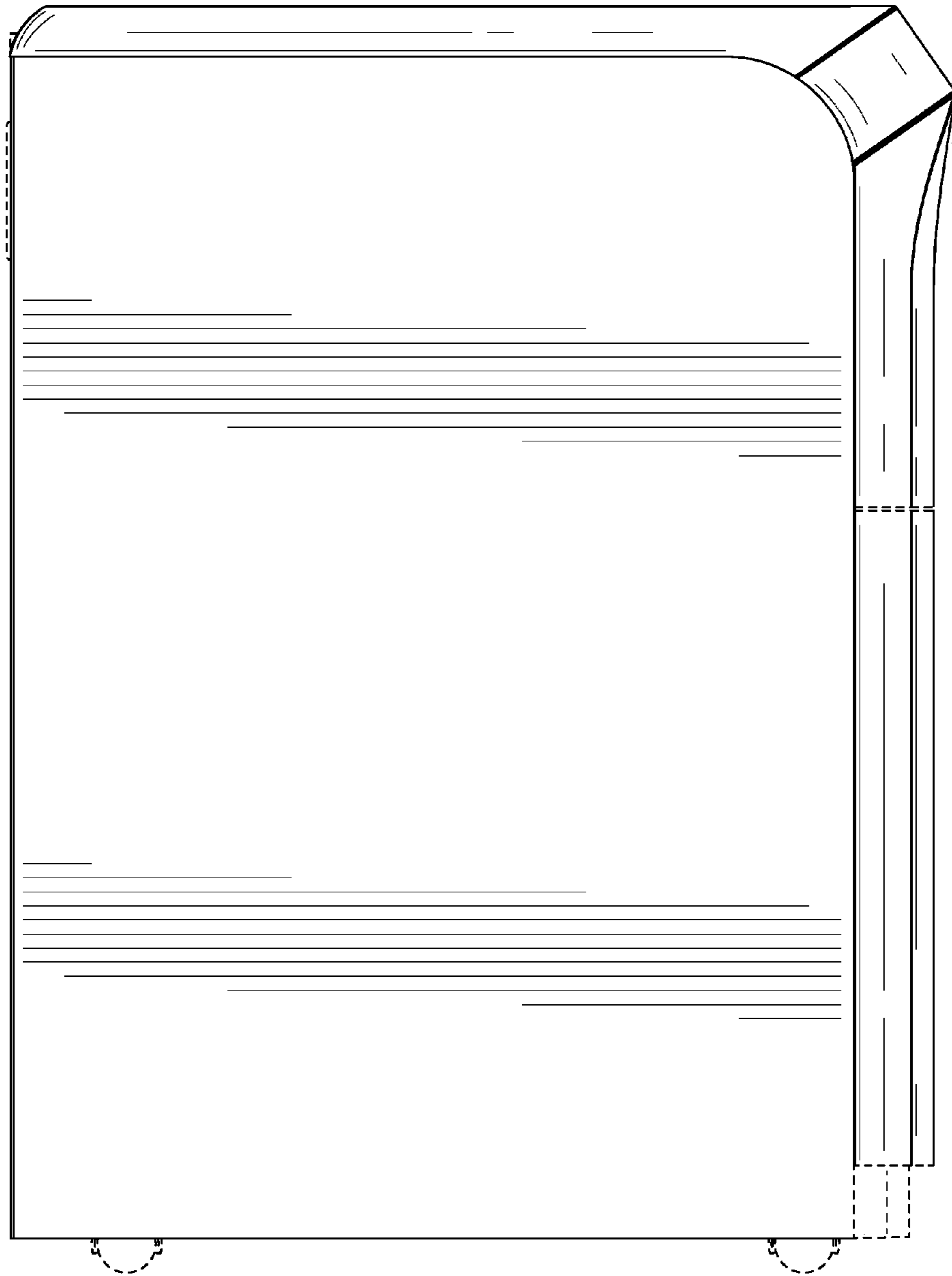


FIG. 5

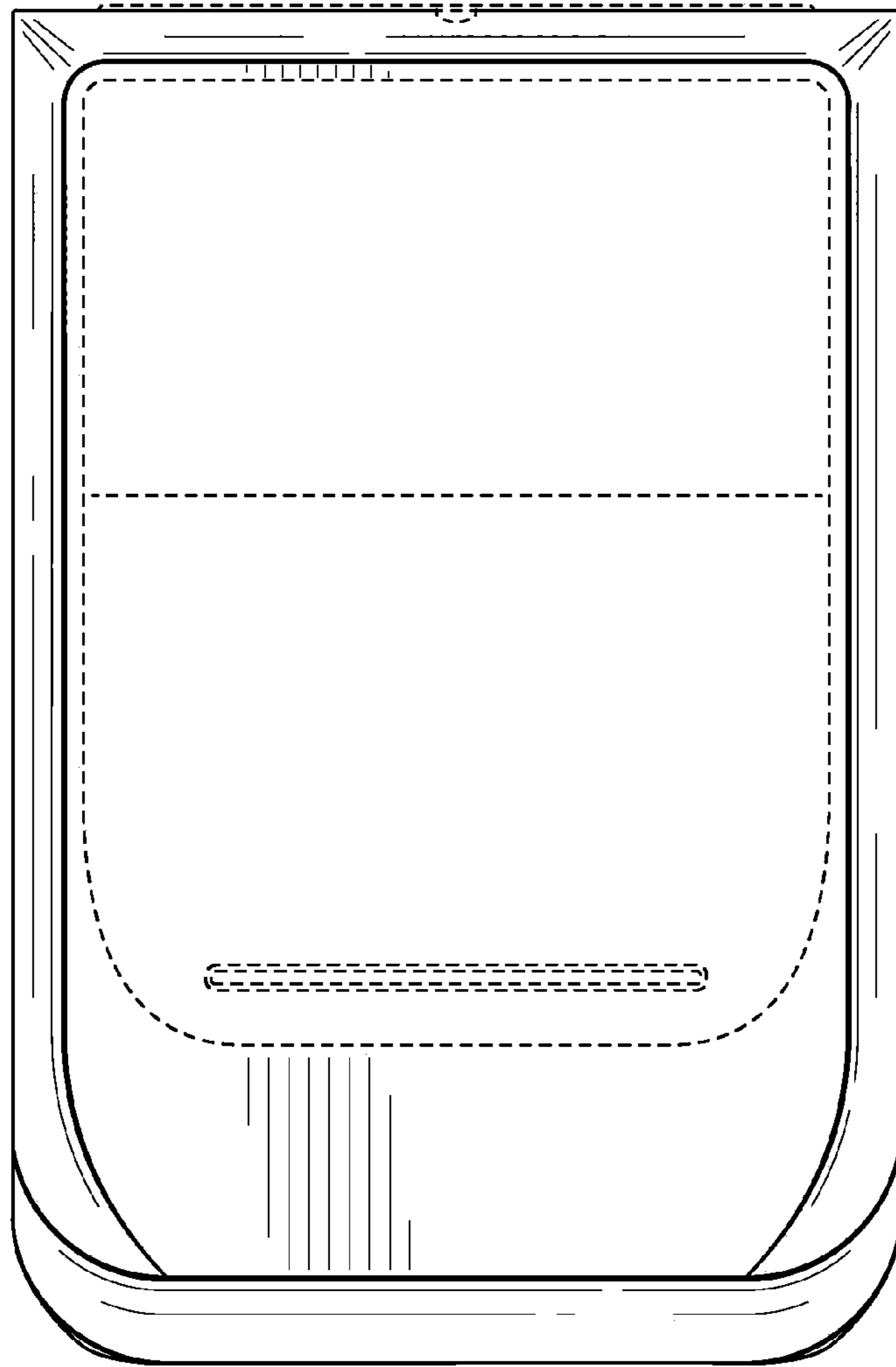


FIG. 6

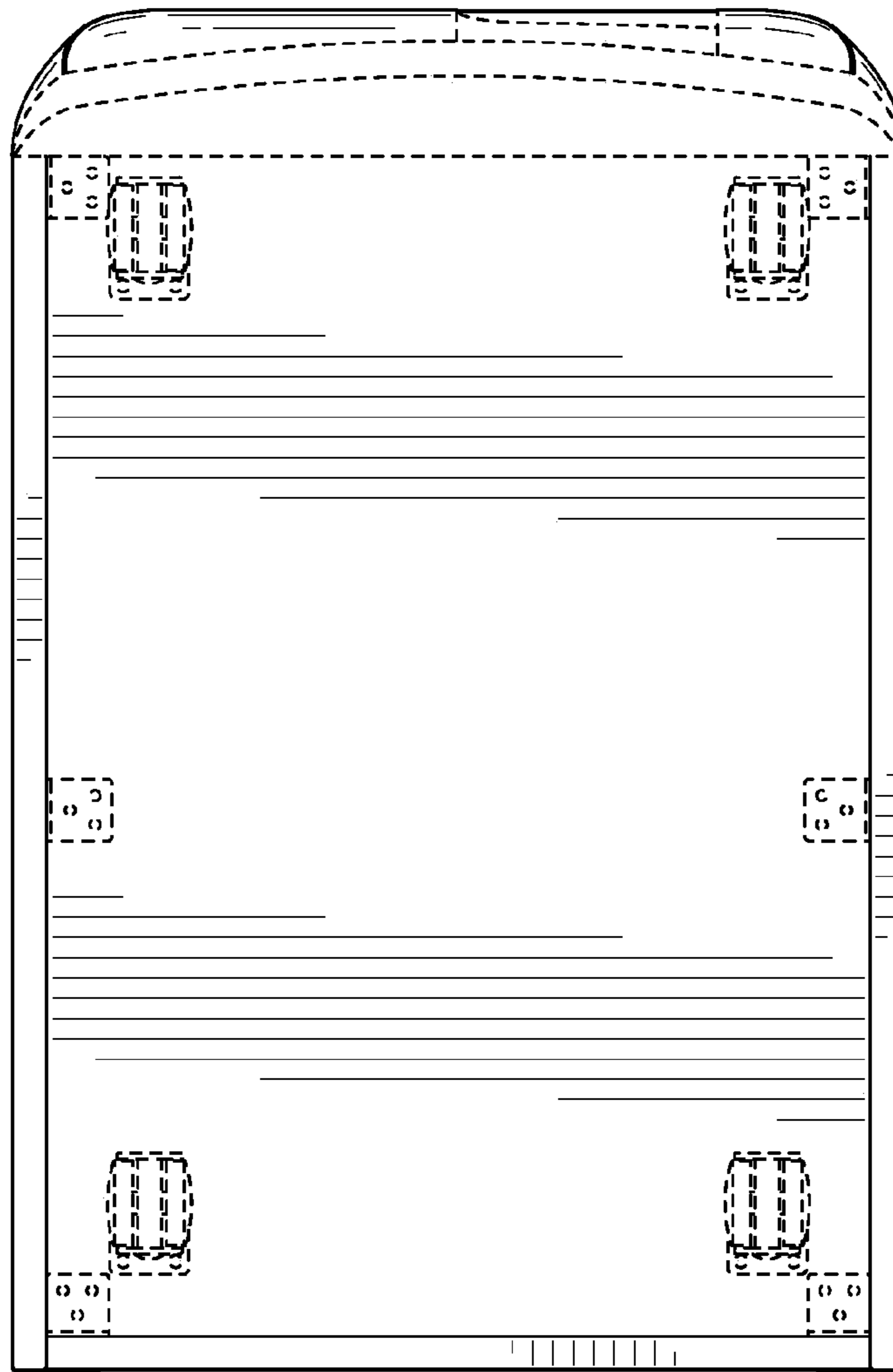


FIG. 7