



US00D747405S

(12) **United States Design Patent**
Shih

(10) **Patent No.:** **US D747,405 S**
(45) **Date of Patent:** **** Jan. 12, 2016**

(54) **SELF-INKING STAMP**
(71) Applicant: **Sun Same Enterprises Co., Ltd.**, Tainan (TW)
(72) Inventor: **Wen-Jer Shih**, Tainan (TW)
(73) Assignee: **Sun Same Enterprises, Co., Ltd.**, Tainan (TW)

D545,353 S * 6/2007 Treml D18/15
D568,381 S * 5/2008 Shih D18/15
7,389,727 B2 * 6/2008 Faber B41K 1/40
101/103
D583,857 S * 12/2008 Shih D18/15
D584,340 S * 1/2009 Lee D18/15
D585,087 S * 1/2009 Shih D18/15
D732,106 S * 6/2015 Faber D18/15

(**) Term: **14 Years**

(21) Appl. No.: **29/473,226**

(22) Filed: **Nov. 20, 2013**

(51) **LOC (10) Cl.** **19-02**

(52) **U.S. Cl.**
USPC **D18/15**

(58) **Field of Classification Search**
USPC D18/15, 16, 17, 18, 50; D19/65-68, 70,
D19/71; 101/104, 333, 334, 327, 328, 405,
101/406; 108/264, 268
CPC B41K 1/00; B41K 1/006; B41K 1/02;
B41K 1/08; B41K 1/40; B41K 1/42; B41K
1/52; B41K 1/54; B41K 1/56
See application file for complete search history.

(56) **References Cited**

U.S. PATENT DOCUMENTS

D451,945 S * 12/2001 MacNeil D18/15
D452,262 S * 12/2001 MacNeil D18/15
D493,191 S * 7/2004 Sculler D18/15
D493,192 S * 7/2004 Sculler D18/15
D518,087 S * 3/2006 Shih D18/15
D538,840 S * 3/2007 Shih D18/15

FOREIGN PATENT DOCUMENTS

CN 302815777 * 5/2014

* cited by examiner

Primary Examiner — Bridget L Eland

Assistant Examiner — Lauren McVey

(74) *Attorney, Agent, or Firm* — The Weintraub Group, P.L.C.

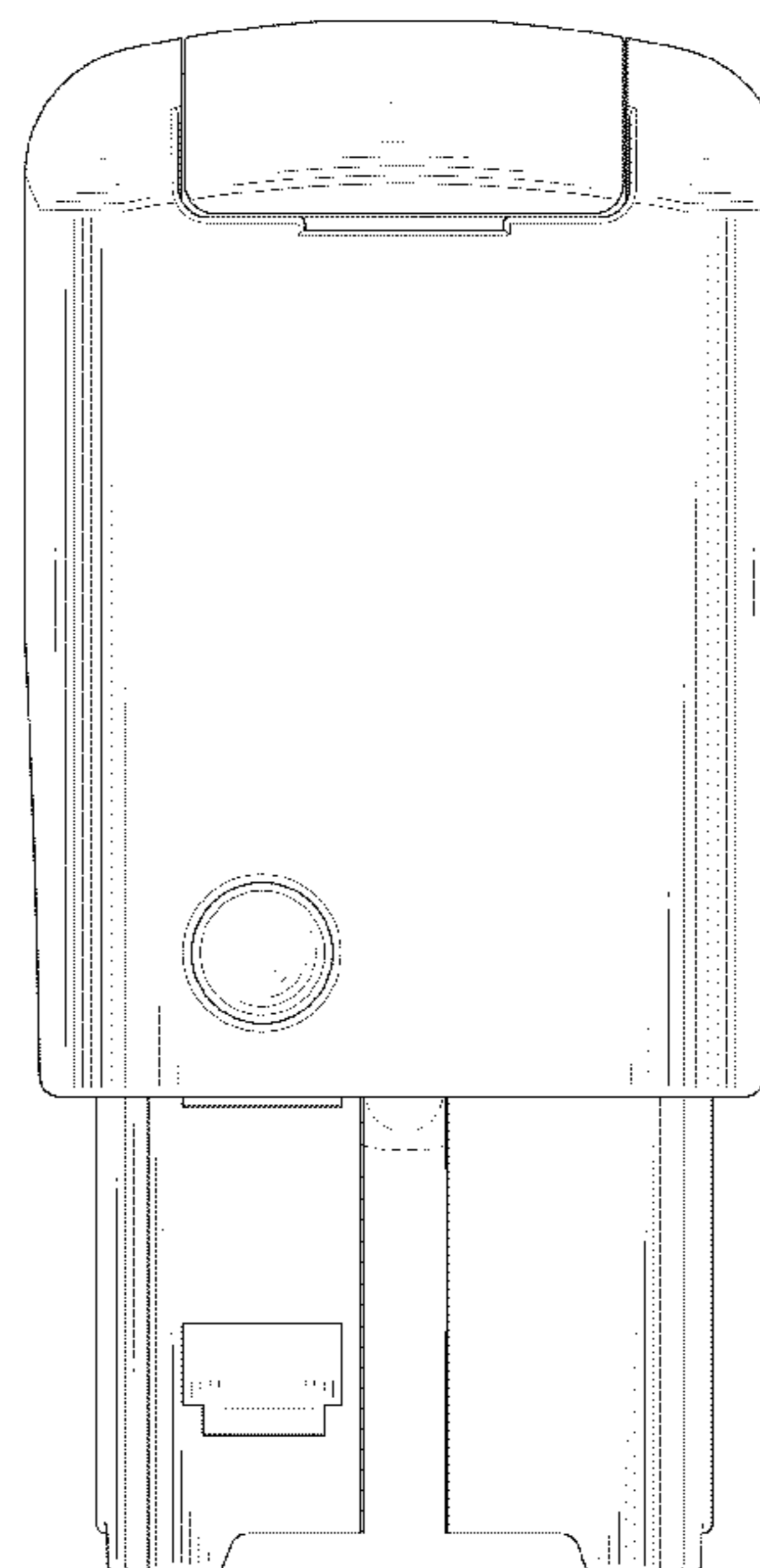
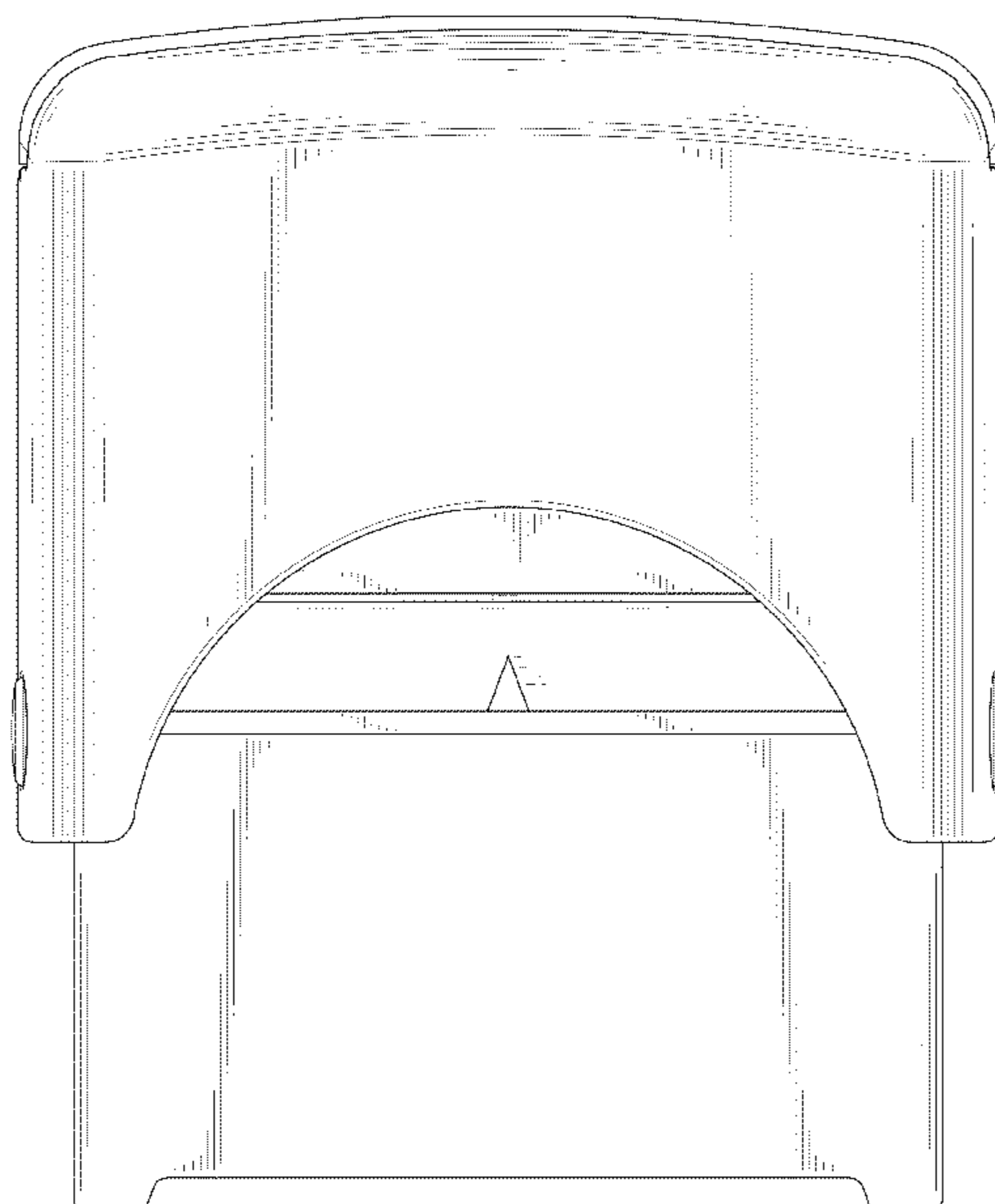
(57) **CLAIM**

The ornamental design for a self-inking stamp, as shown and described.

DESCRIPTION

FIG. 1 is a perspective view of a self-inking stamp showing my new design;
FIG. 2 is a front view thereof;
FIG. 3 is a rear view thereof;
FIG. 4 is a left side view thereof;
FIG. 5 is a right side view thereof;
FIG. 6 is a top view thereof;
FIG. 7 is a bottom view thereof; and,
FIG. 8 is another perspective view thereof.
The broken lines shown in the views are directed to environment; the broken lines form no part of the claimed design.

1 Claim, 8 Drawing Sheets



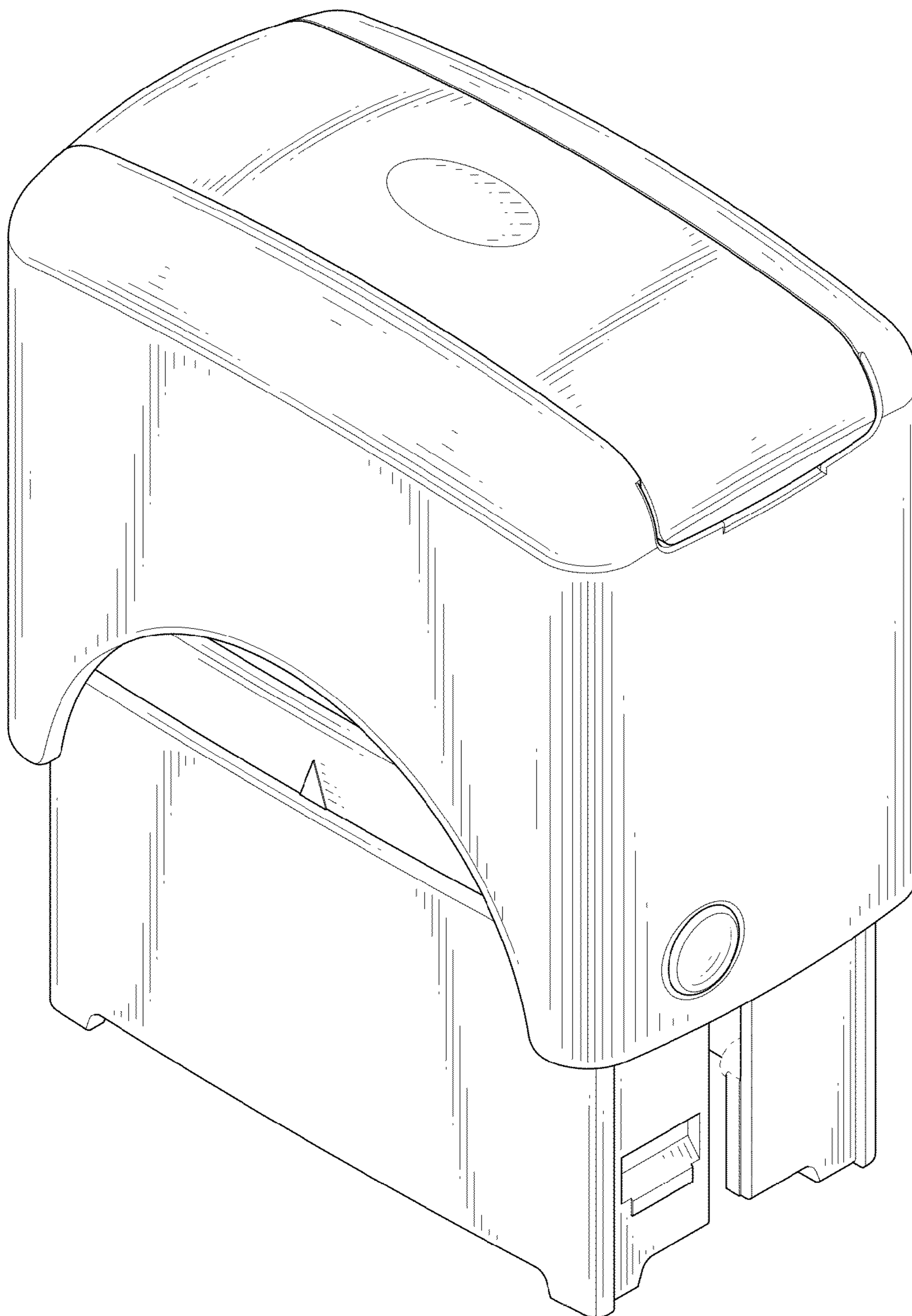


FIG.1

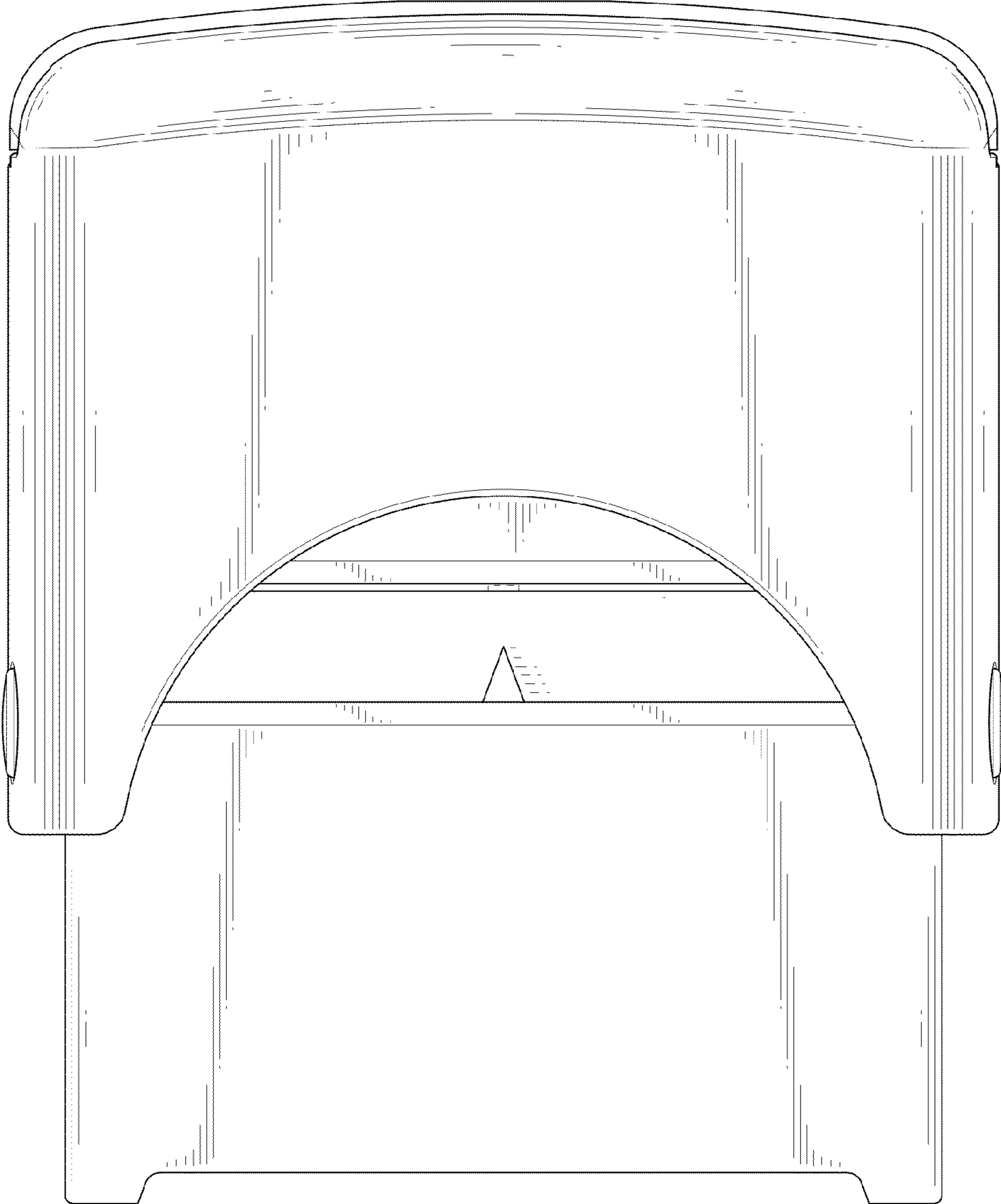


FIG. 2

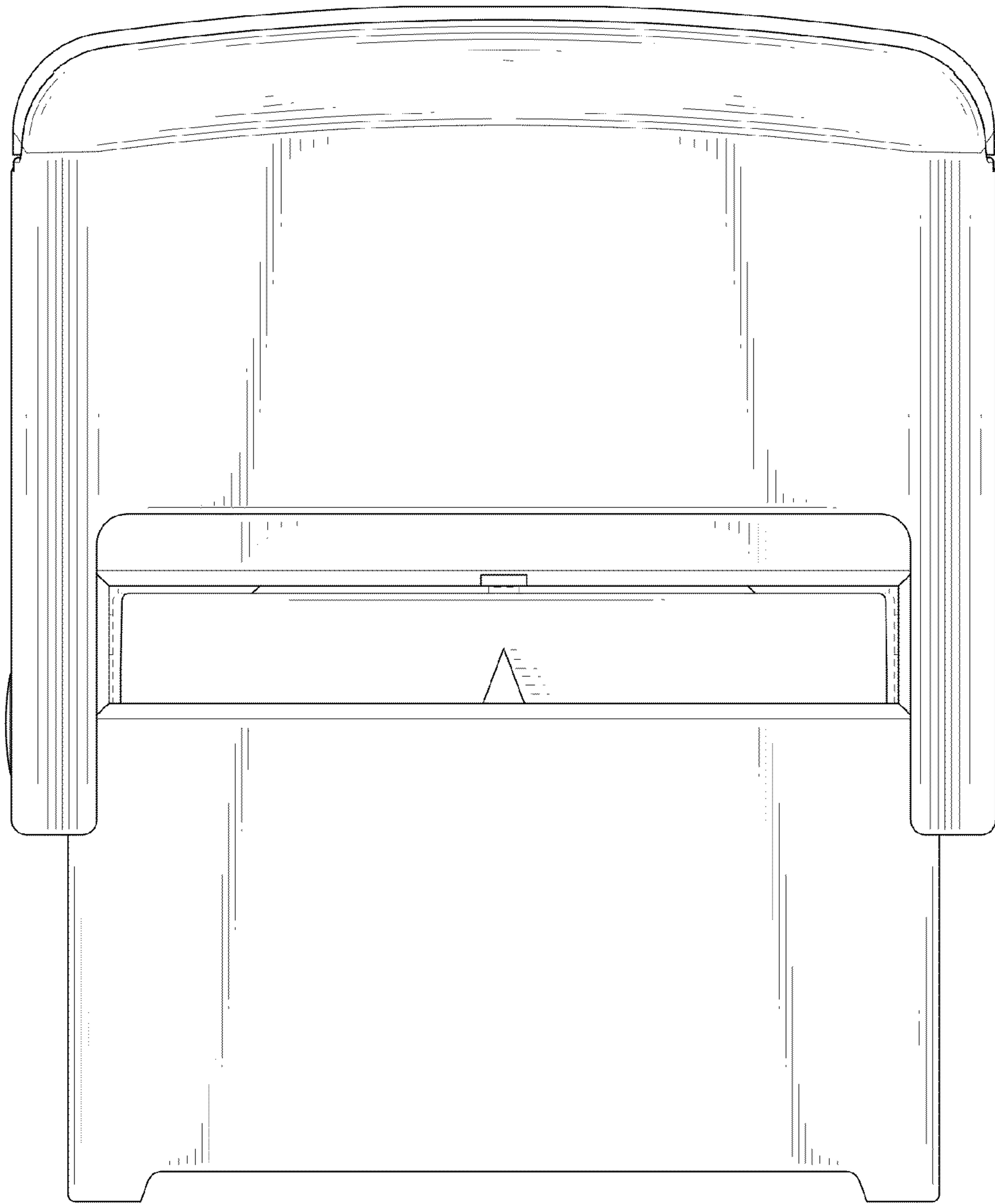


FIG. 3

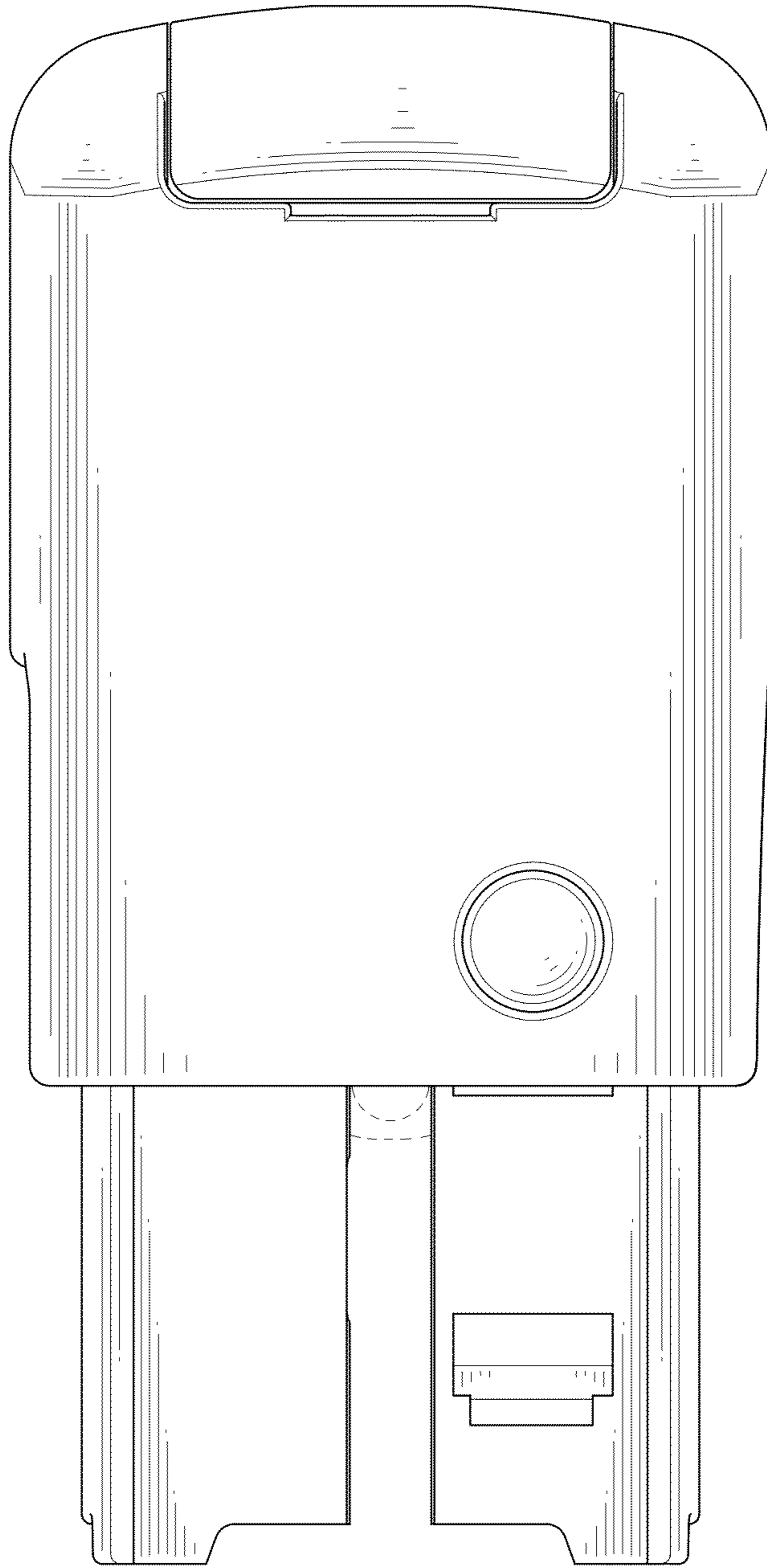


FIG.4

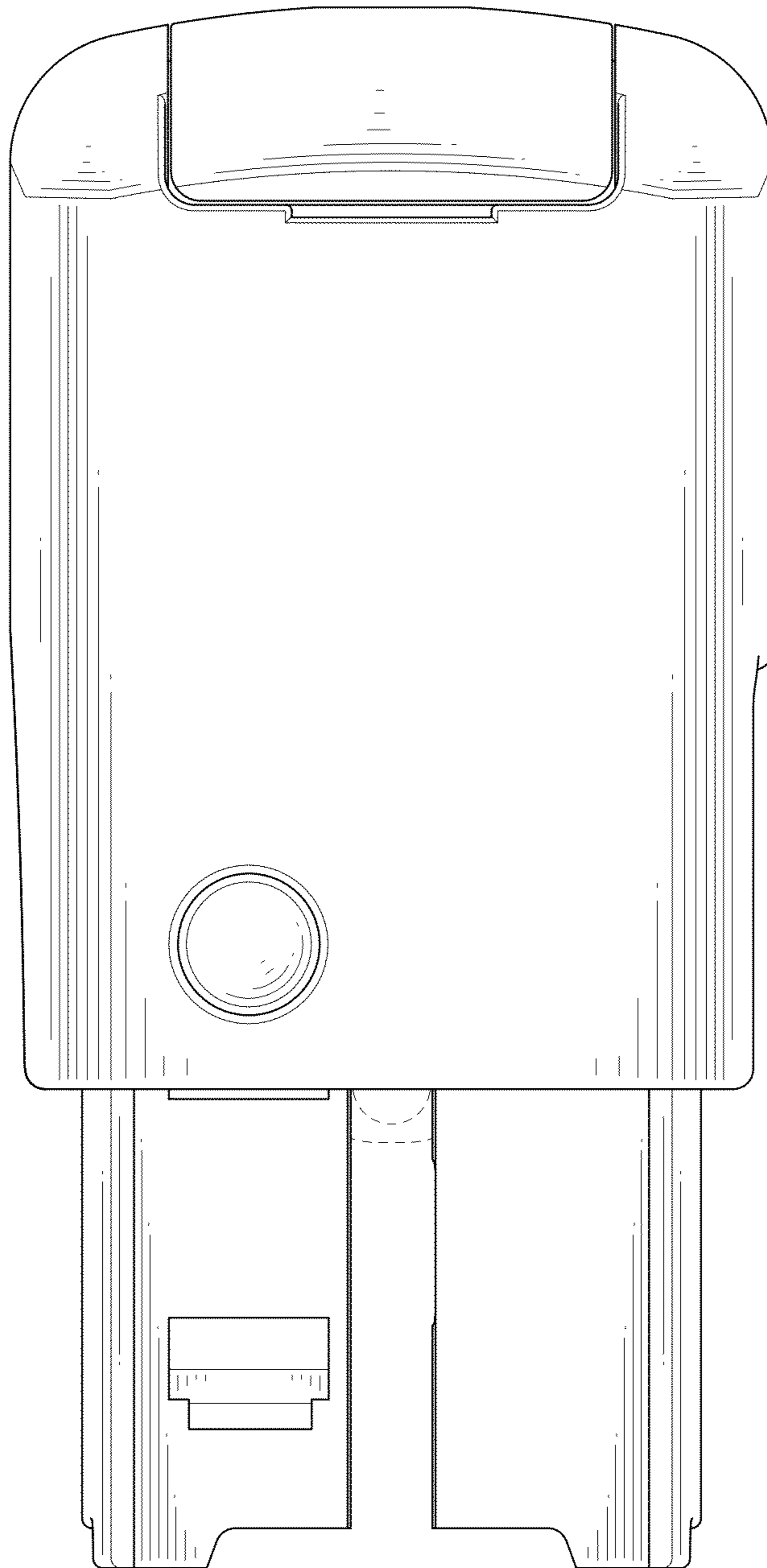


FIG.5

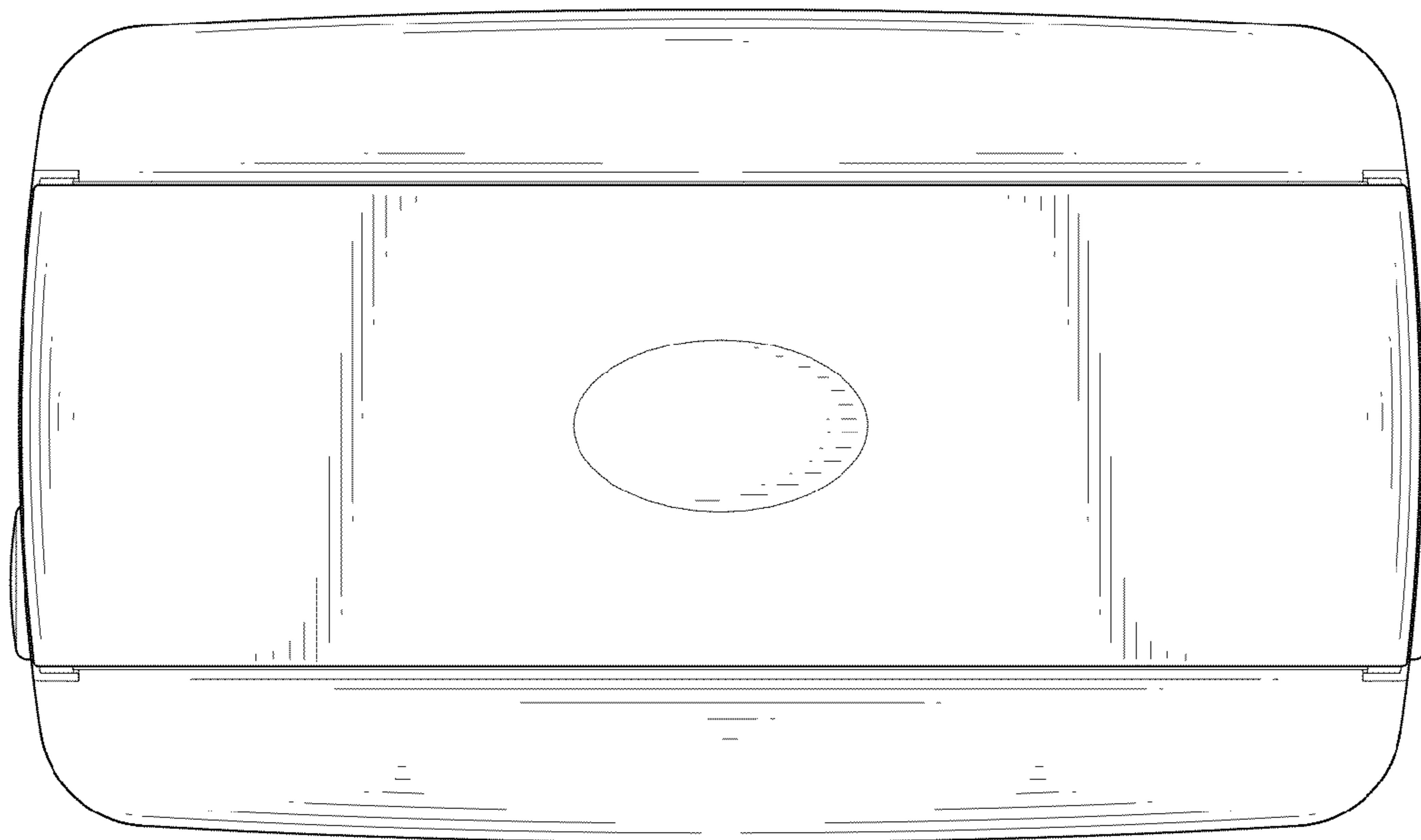


FIG.6

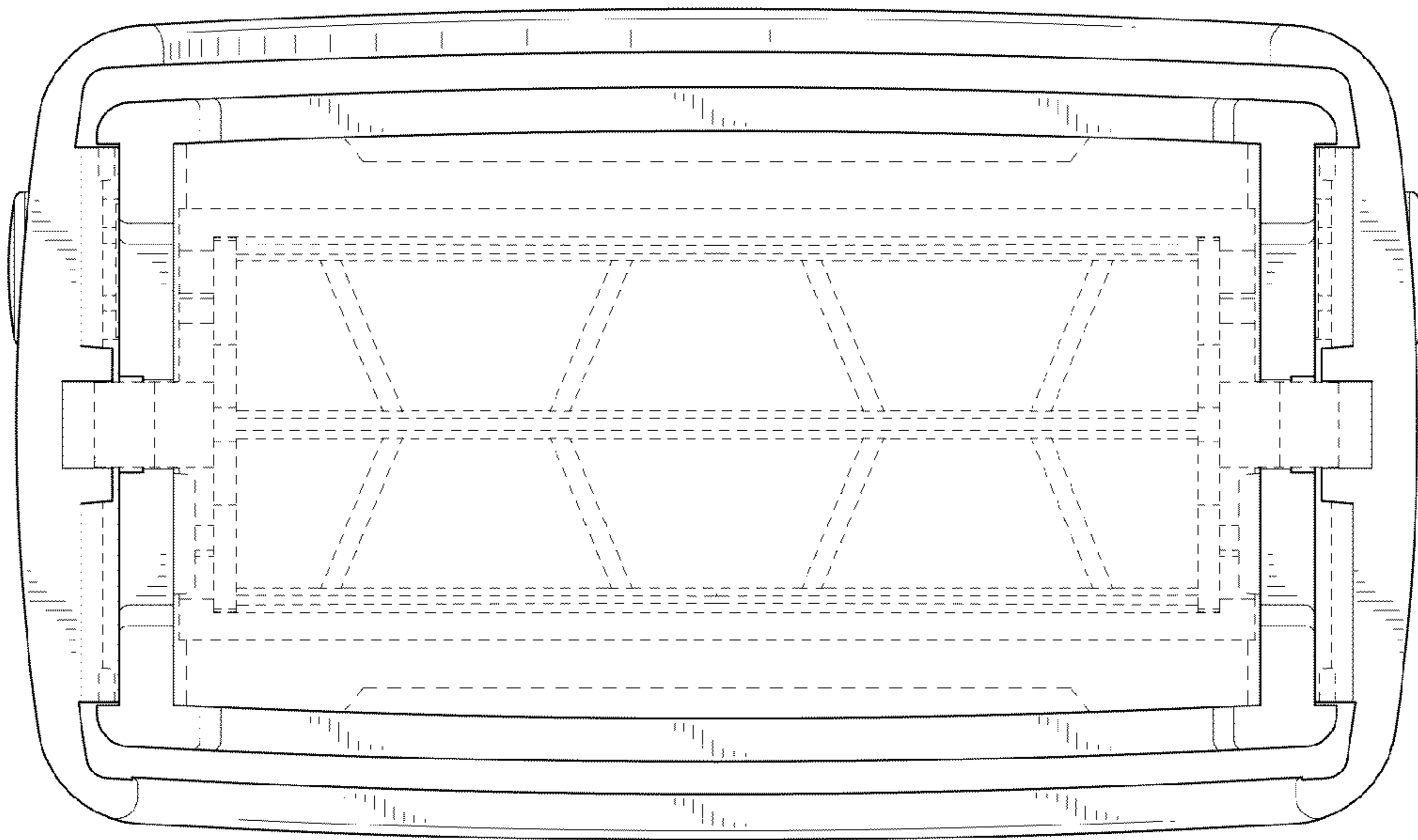


FIG.7

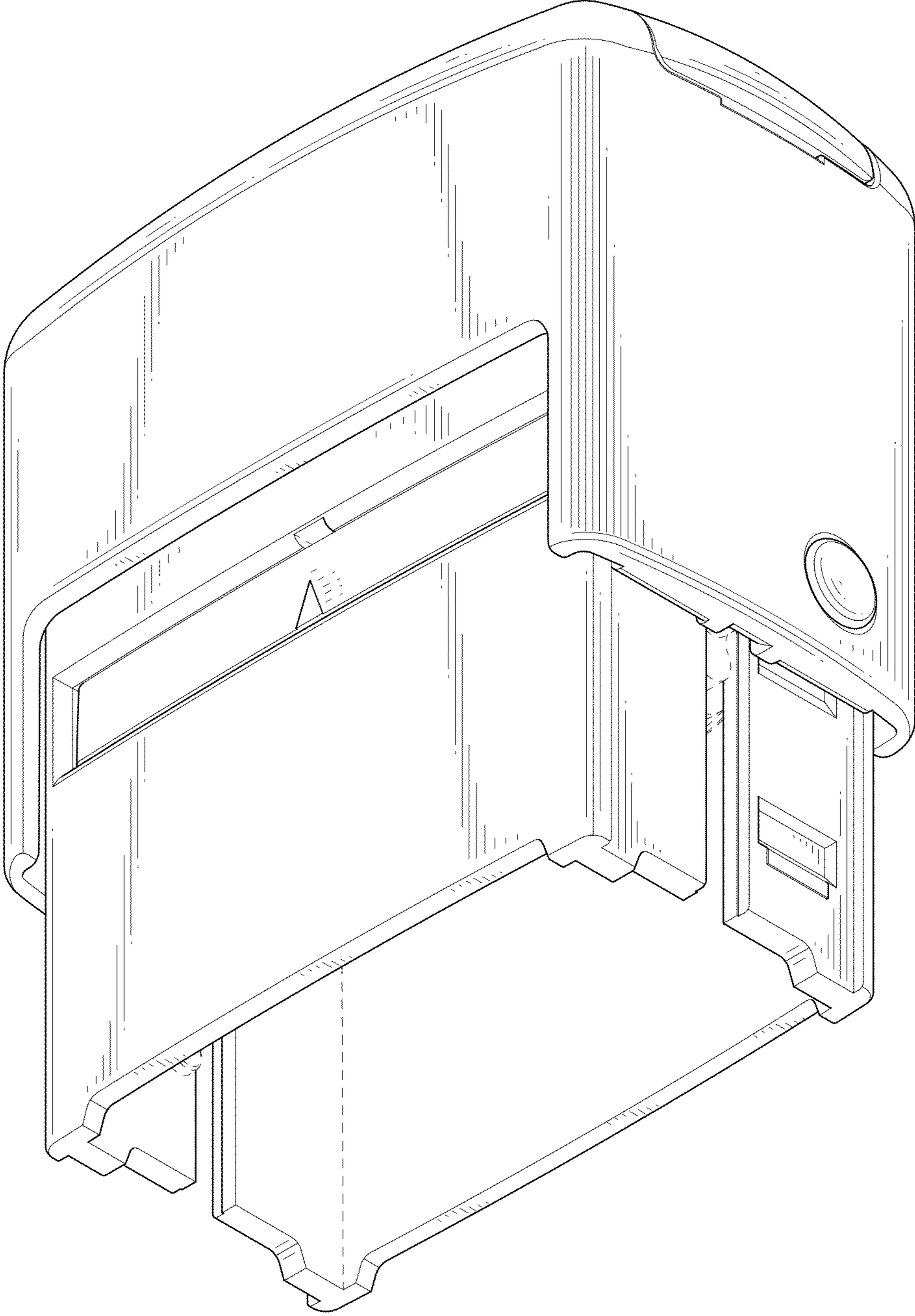


FIG.8