



US00D747404S

(12) **United States Design Patent**
Selmer

(10) **Patent No.:** **US D747,404 S**
(45) **Date of Patent:** **** Jan. 12, 2016**

(54) **MOUTHPIECE FOR SAXOPHONE**

(71) Applicant: **Jerome Selmer**, Paris (FR)

(72) Inventor: **Jerome Selmer**, Paris (FR)

(73) Assignee: **HENRI SELMER PARIS**, Paris (FR)

(**) Term: **14 Years**

(21) Appl. No.: **29/460,630**

(22) Filed: **Jul. 12, 2013**

(30) **Foreign Application Priority Data**

Jan. 15, 2013 (EM) 002167205

(51) **LOC (10) Cl.** **17-02**

(52) **U.S. Cl.**
USPC **D17/13**

(58) **Field of Classification Search**
USPC D17/10, 13, 99; 84/380 R-383 R,
84/385 R-385 A; 984/141
CPC G10D 9/043; G10D 7/06; G10D 7/066;
G10D 7/08; G10D 9/02
See application file for complete search history.

(56) **References Cited**

U.S. PATENT DOCUMENTS

425,521	A *	4/1890	Renzenbrink	84/383 R
706,557	A *	8/1902	Heckel	84/382
1,085,684	A *	2/1914	Hershey	84/383 R
1,506,363	A *	8/1924	Chiron et al.	84/383 R
D139,025	S *	10/1944	Runyon, Jr.	D17/13
D156,847	S *	1/1950	Runyon, Jr.	D17/13
2,494,231	A *	1/1950	Dunn	84/383 R
4,308,781	A *	1/1982	McGuerty	84/383 R
4,372,190	A *	2/1983	McGuerty	84/383 R
5,018,425	A *	5/1991	Rovner	84/383 R
D343,633	S *	1/1994	Guardala et al.	D17/13
D411,565	S *	6/1999	Lee	D17/10

D419,586	S *	1/2000	Kuo	D17/10
8,217,248	B1 *	7/2012	Feliciano	84/383 R
2005/0072623	A1 *	4/2005	Rovner	181/21

(Continued)

FOREIGN PATENT DOCUMENTS

CN	301084221	*	12/2009
EM	000823752-0001	*	11/2007

(Continued)

OTHER PUBLICATIONS

Amazon.com: Selmer S-80 C* Mouthpiece for Alto Saxophone, review date Nov. 4, 2005, online, http://www.amazon.com/Selmer-S-80-Mouthpiece-Saxophone-S402C1/dp/B0002E1IW8/ref=cm_cr_pr_pdt_img_top?ie=UTF8, [site visited Apr. 2, 2015 12:53:48 PM].*

(Continued)

Primary Examiner — John Windmuller

Assistant Examiner — John R Yeh

(74) *Attorney, Agent, or Firm* — Patricia Wilczynski Brozek

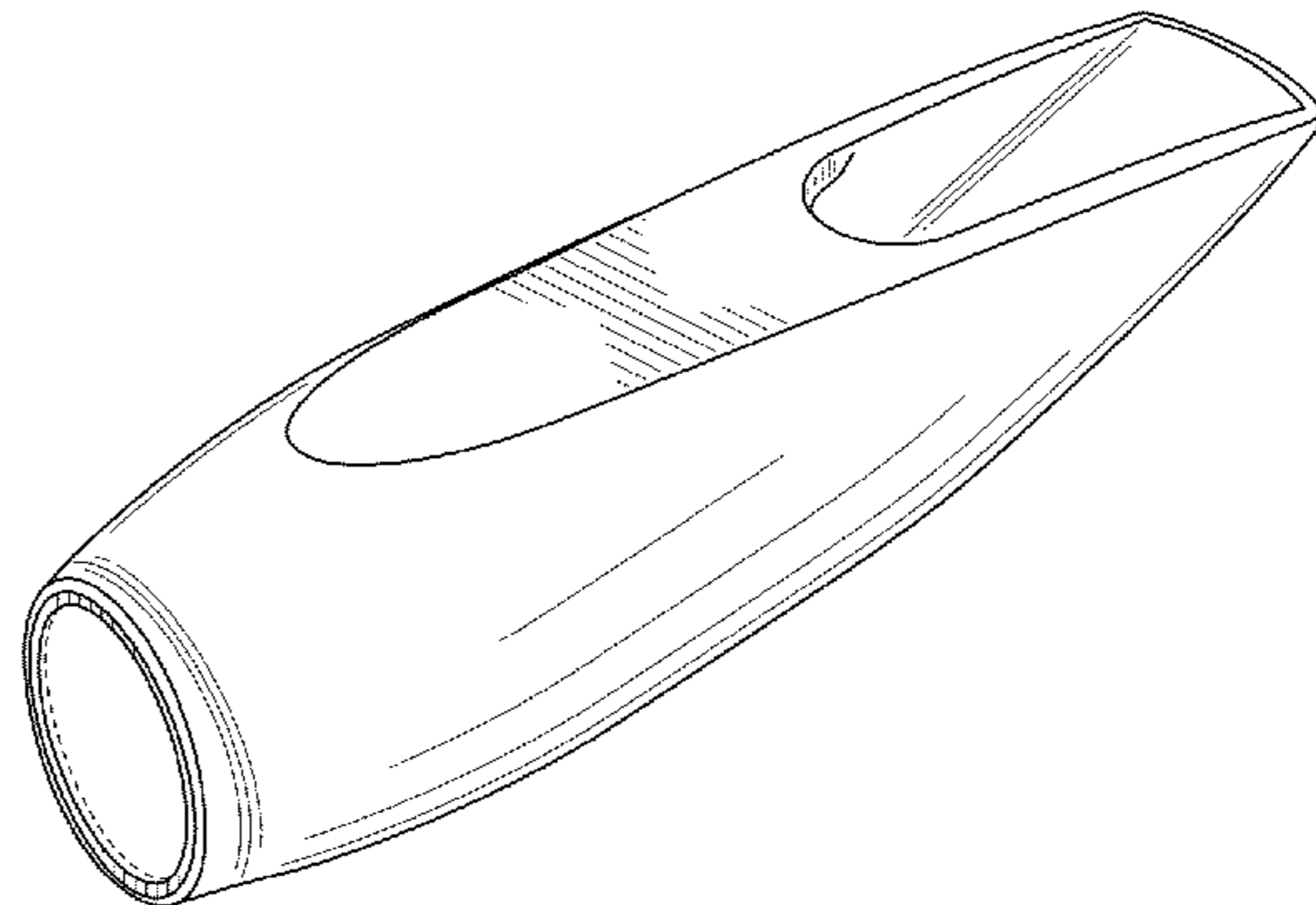
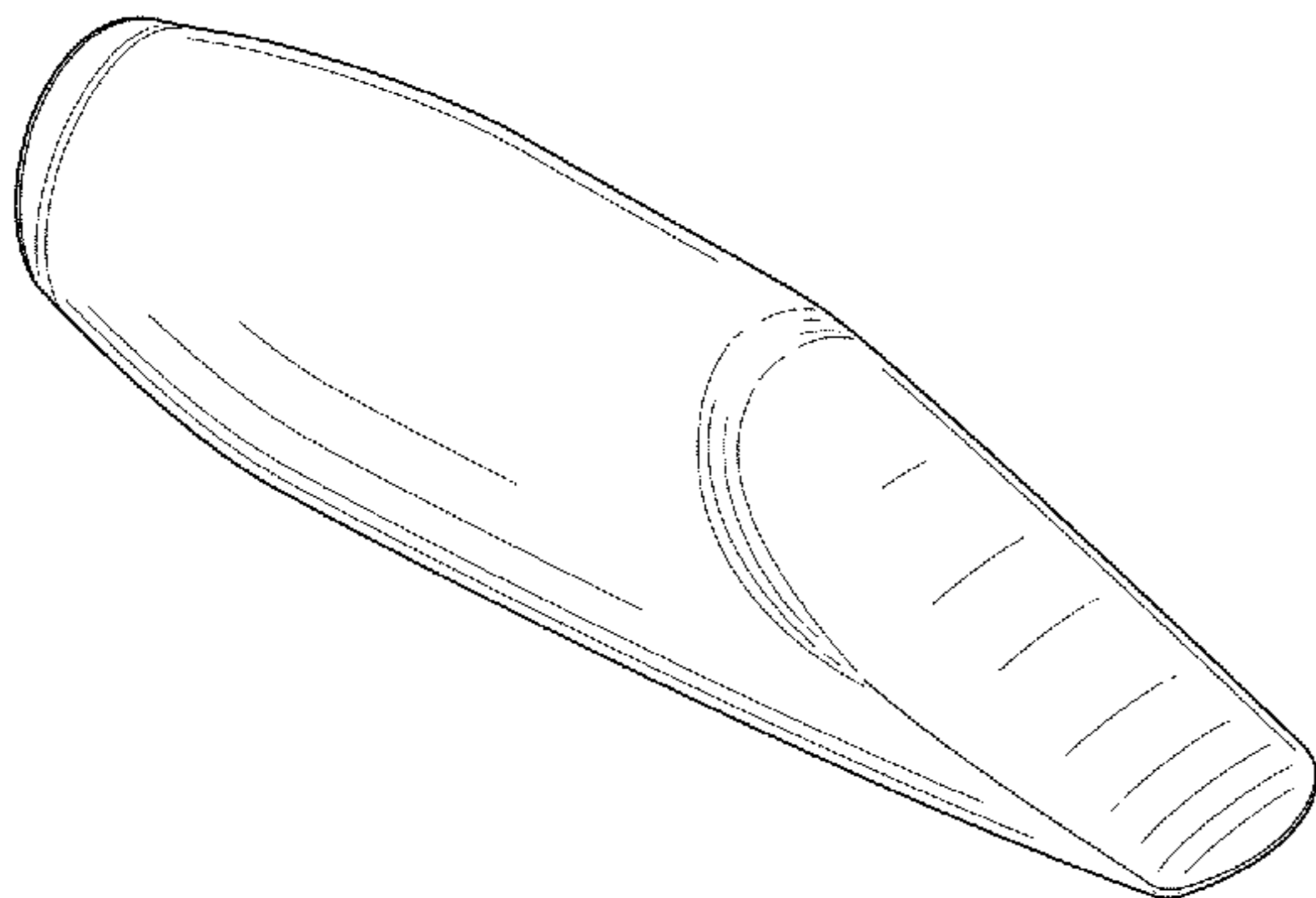
(57) **CLAIM**

The ornamental design for a mouthpiece for saxophone, substantially as shown and described.

DESCRIPTION

FIG. 1 is a front view of a mouthpiece for saxophone showing my new design;
FIG. 2 is a right view thereof, the left view being a mirror image thereof;
FIG. 3 is a back view thereof;
FIG. 4 is a top view thereof;
FIG. 5 is a bottom view thereof;
FIG. 6 is a perspective view of the back thereof; and,
FIG. 7 is a perspective view of the front thereof.
The broken lines are included for purposes of illustrating portions of the mouthpiece for saxophone that form no part of the claimed design.

1 Claim, 2 Drawing Sheets



(56)

References Cited

U.S. PATENT DOCUMENTS

2009/0217799 A1 * 9/2009 Rovner 84/383 R
2014/0305279 A1 * 10/2014 Russell 84/380 R

FOREIGN PATENT DOCUMENTS

FR 921529-001 * 6/1992
JP D1375452 * 12/2009

OTHER PUBLICATIONS

Amazon.com: Selmer S412190 Selmer S90 Alto Saxophone Mouth-
piece, review date 11/32/2010, online, <http://www.amazon.com/>

Selmer-5412190-Alto-Saxophone-Mouthpiece/dp/B0002IKXTS/
ref=sr_1_8?s=musical-instruments&ie=UTF8&qid=1427993703
&sr=1-8, [site visited Apr. 2, 2015 12:57:11 PM].*
How to Select a Runyon Mouthpiece, flyer copyright 2000, online,
<http://www.saxgourmet.com/runyon/mouthpiece.pdf>, site visited
Apr. 2, 2015.*
Maybe the application mouthpiece, Selmer Paris Concept Alto Sax
Mouthpiece | Musician's Friend, review date Dec. 16, 2014, <http://www.musiciansfriend.com/woodwinds/selmer-paris-concept-alto-sax-mouthpiece>, [site visited Apr. 2, 2015 12:45:38 PM].*
Vandoren V5 Jazz Alto Saxophone Mouthpiece | Musician's Friend,
review date Dec. 31, 2011, <http://www.musiciansfriend.com/woodwinds/vandoren-v5-jazz-alto-saxophone-mouthpiece>, [site visited
Apr. 2, 2015 12:48:30 PM].*

* cited by examiner

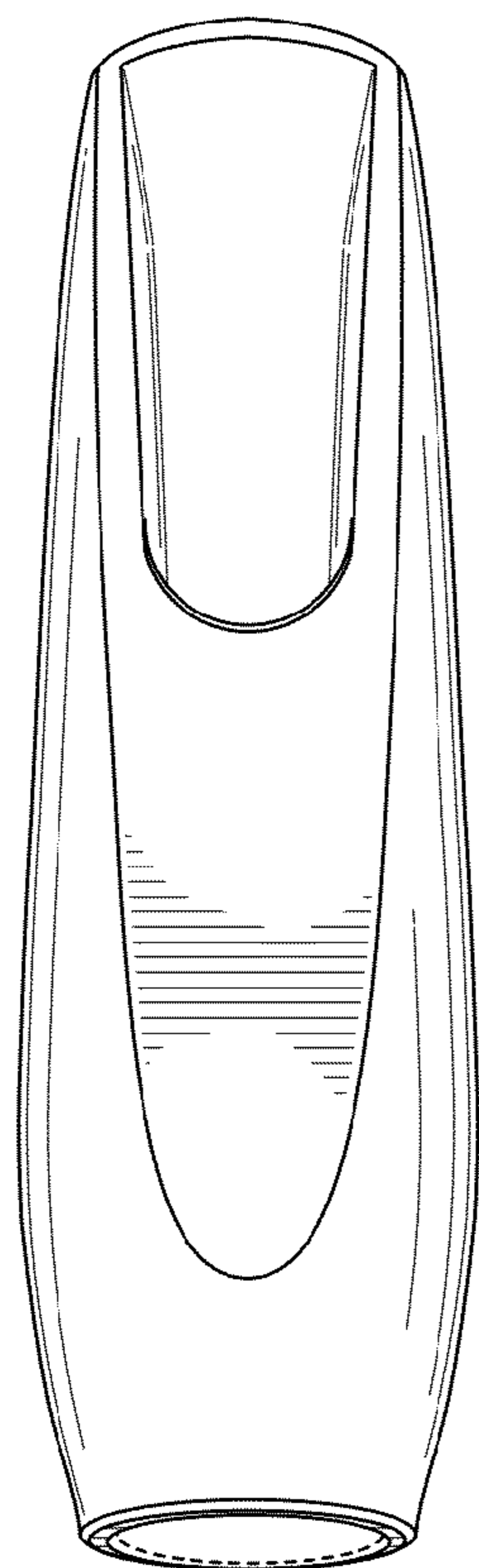


FIG. 1



FIG. 2

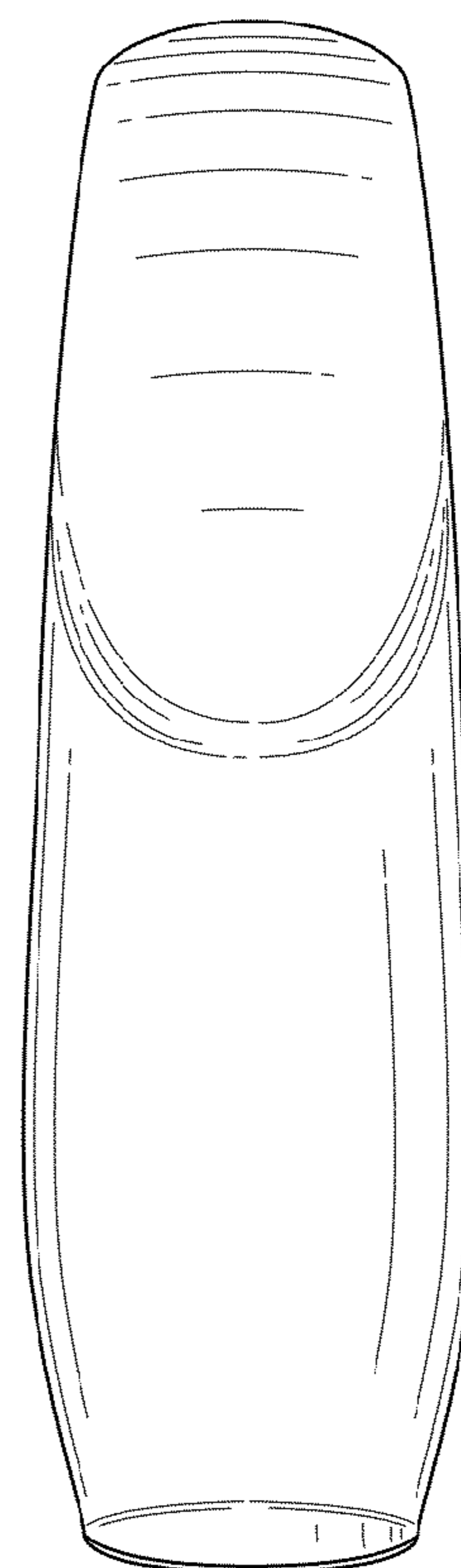


FIG. 3

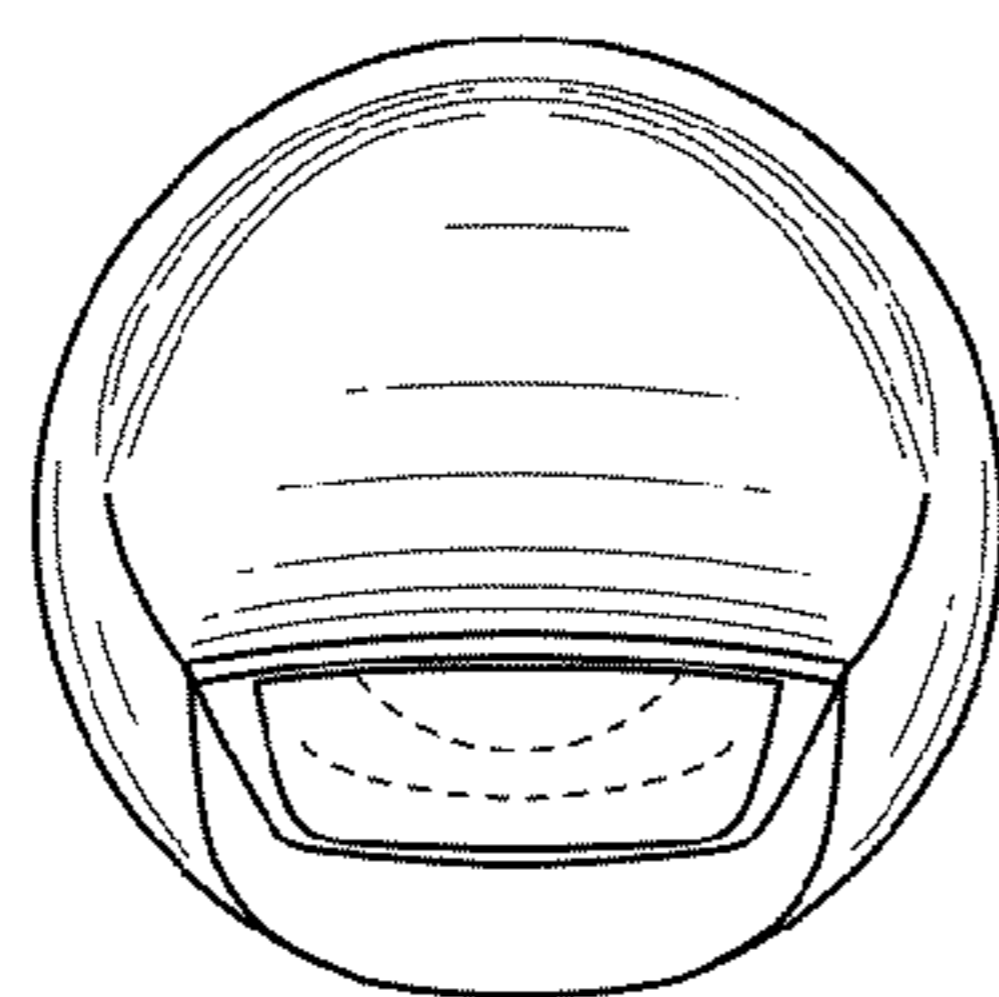


FIG. 4

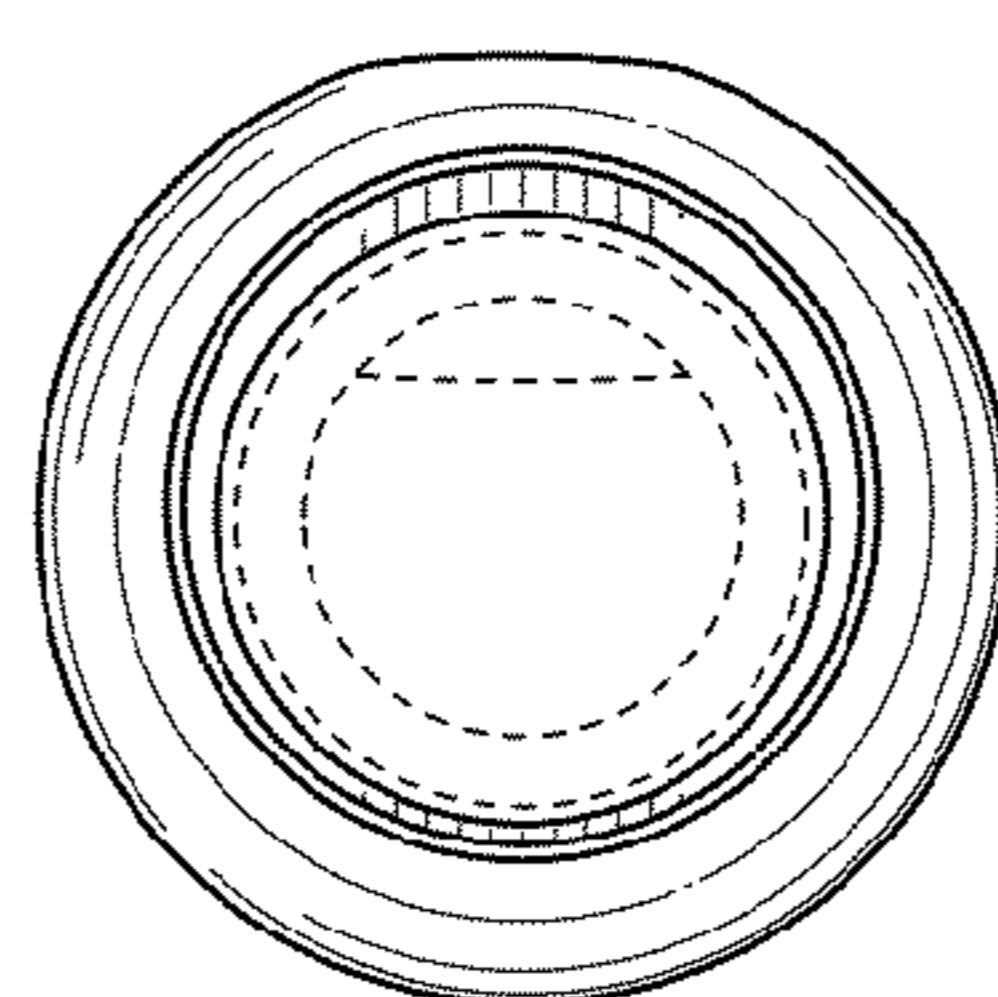


FIG. 5

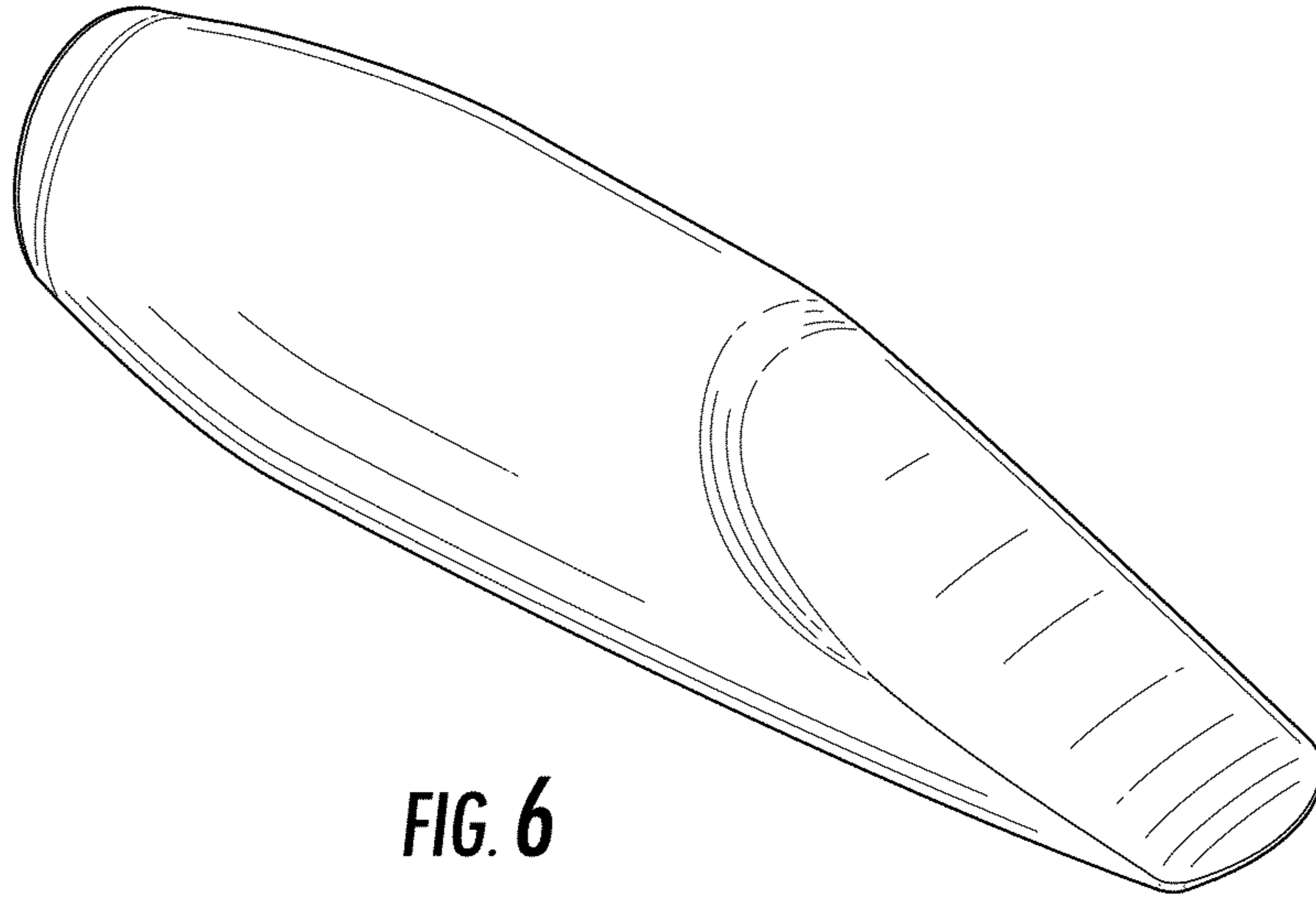


FIG. 6

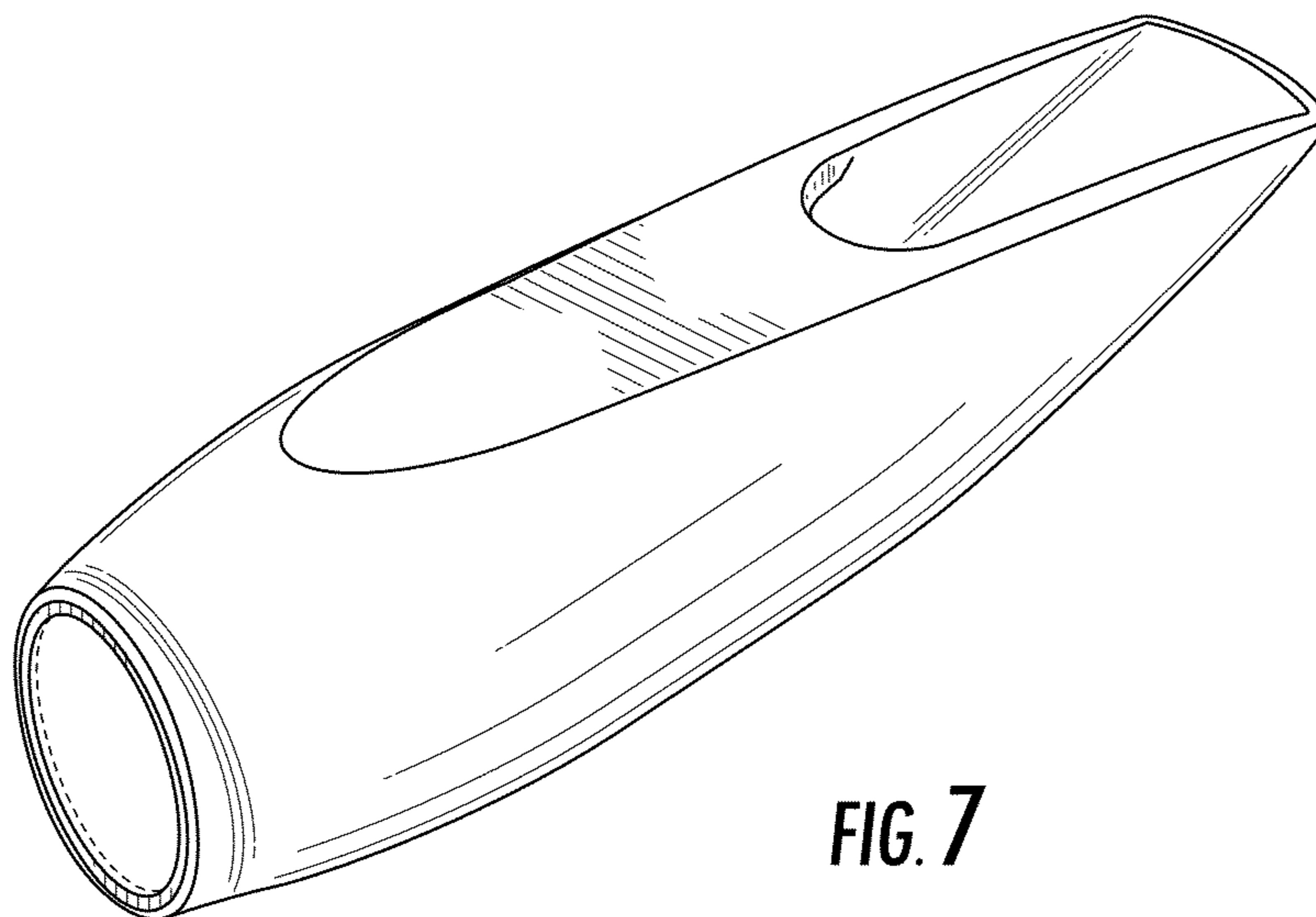


FIG. 7