



US00D747399S

(12) **United States Design Patent**
Stump et al.

(10) **Patent No.:** **US D747,399 S**
(45) **Date of Patent:** **** Jan. 12, 2016**

- (54) **EXTENDIBLE CAMERA HANDLE**
- (71) Applicants: **John Stump**, Santa Barbara, CA (US);
Michael Shepard, Santa Barbara, CA (US)
- (72) Inventors: **John Stump**, Santa Barbara, CA (US);
Michael Shepard, Santa Barbara, CA (US)
- (73) Assignee: **XShot, Inc**, Santa Barbara, CA (US)
- (**) Term: **14 Years**
- (21) Appl. No.: **29/499,963**
- (22) Filed: **Aug. 20, 2014**
- (51) **LOC (10) Cl.** **16-05**
- (52) **U.S. Cl.**
USPC **D16/243**
- (58) **Field of Classification Search**
USPC D16/205, 211, 214, 218-220, 237-250,
D16/302, 303
CPC G03B 15/041-15/0436; G03B
17/561-17/568; G03B 21/20-21/2066; F16M
11/10; F16M 11/14; F16M 11/26; F16M
11/28; F16M 11/38; F16M 13/00; F16M
13/04
See application file for complete search history.

- D544,123 S * 6/2007 Galli D26/49
- D546,865 S * 7/2007 Rietveld et al. D16/242
- D580,474 S * 11/2008 Lee et al. D16/242
- D590,867 S * 4/2009 Schenone et al. D16/242
- D678,387 S 3/2013 Stump et al.
- D730,429 S * 5/2015 Anari et al. D16/243

* cited by examiner

Primary Examiner — Susan Bennett Hattan
Assistant Examiner — Vy Koenig

(74) *Attorney, Agent, or Firm* — QuickPatents; Kevin Prince

(57) **CLAIM**
We claim the ornamental design for an extendible camera handle, as shown and described.

DESCRIPTION

FIG. 1 is a bottom perspective view of an extendible camera handle, showing a first embodiment of our new design in an retracted configuration;

FIG. 2 is a front perspective view of FIG. 1;

FIG. 3 is a rear perspective view of FIG. 1;

FIG. 4 is a left-side devotional view of FIG. 1;

FIG. 5 is a right-side elevational view of FIG. 1;

FIG. 6 is a front elevational view of FIG. 1;

FIG. 7 is a rear elevational view of FIG. 1;

FIG. 8 is a top plan view of FIG. 1;

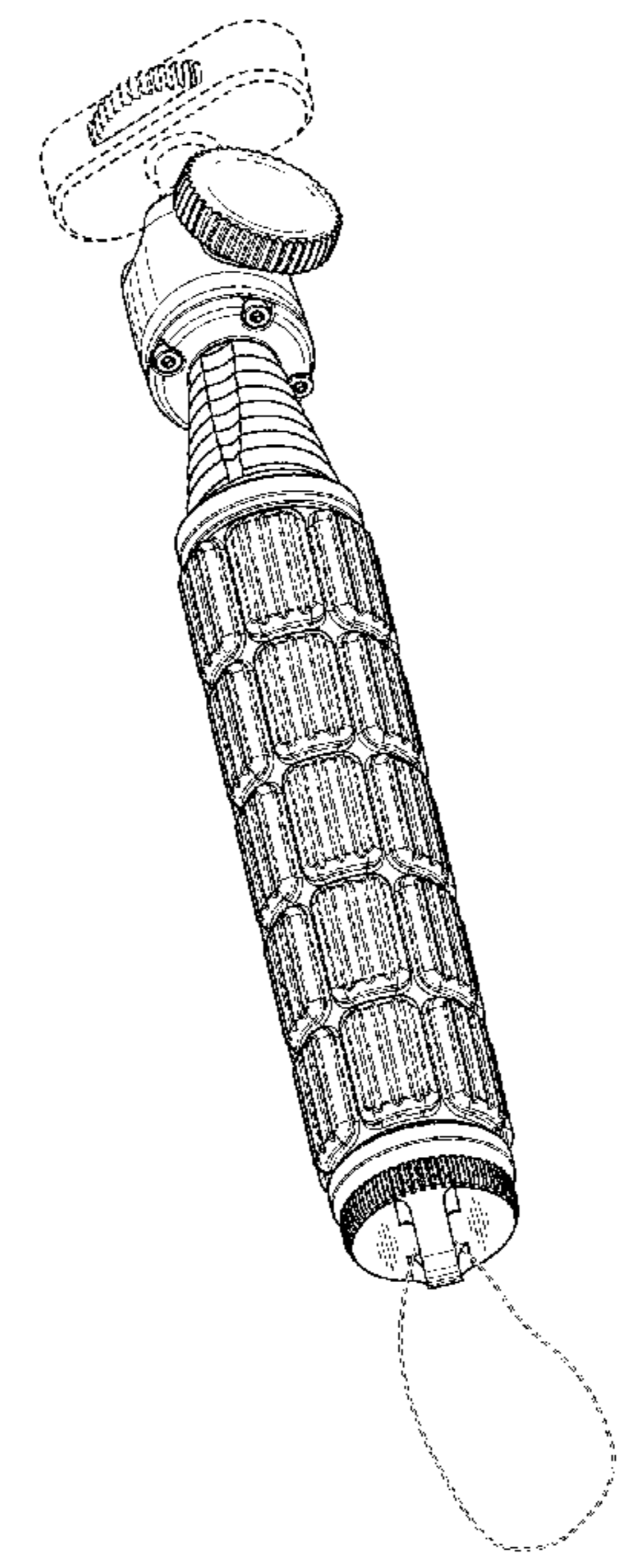
FIG. 9 is a bottom plan view of FIG. 1; and,

FIG. 10 is a perspective view of the first embodiment in an extended configuration.

The broken lines in the figures showing a head mechanism and chain depict environmental matter and form no part of the claimed design.

1 Claim, 5 Drawing Sheets

- (56) **References Cited**
U.S. PATENT DOCUMENTS
D222,118 S * 9/1971 Nakatani D16/244
D523,981 S * 6/2006 Galli D26/37



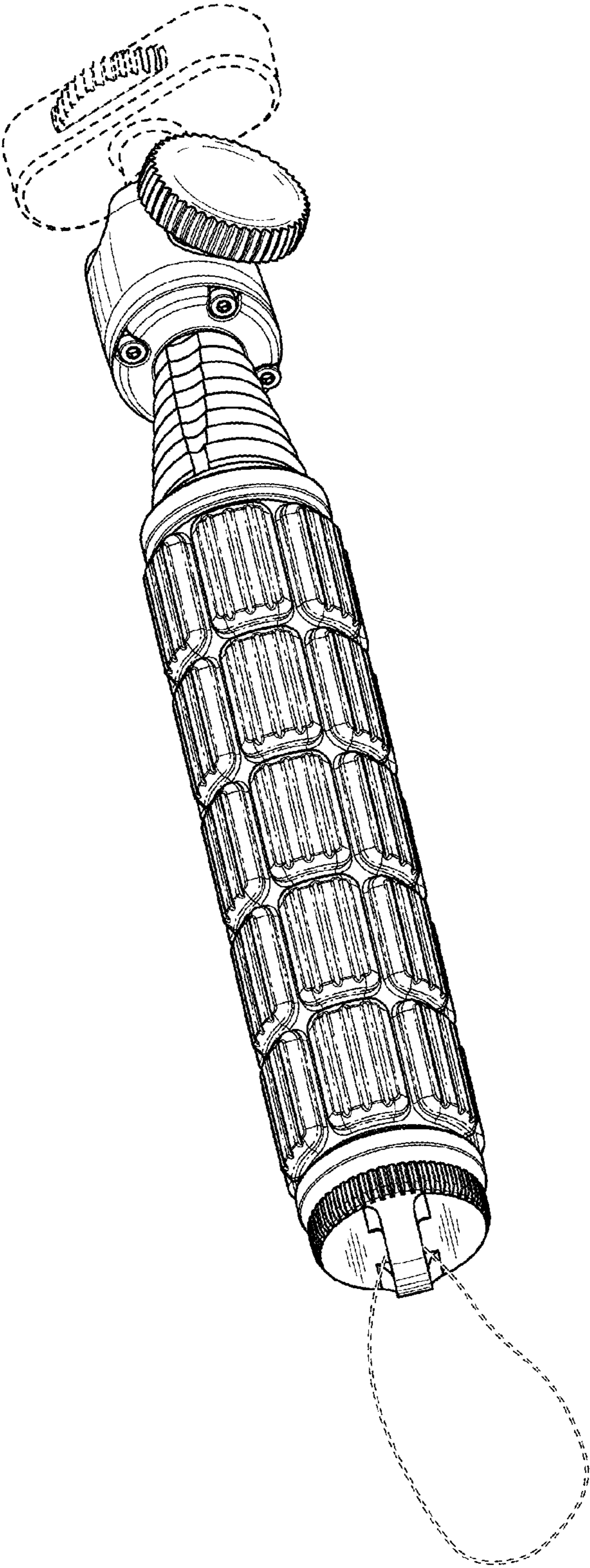


FIG. 1

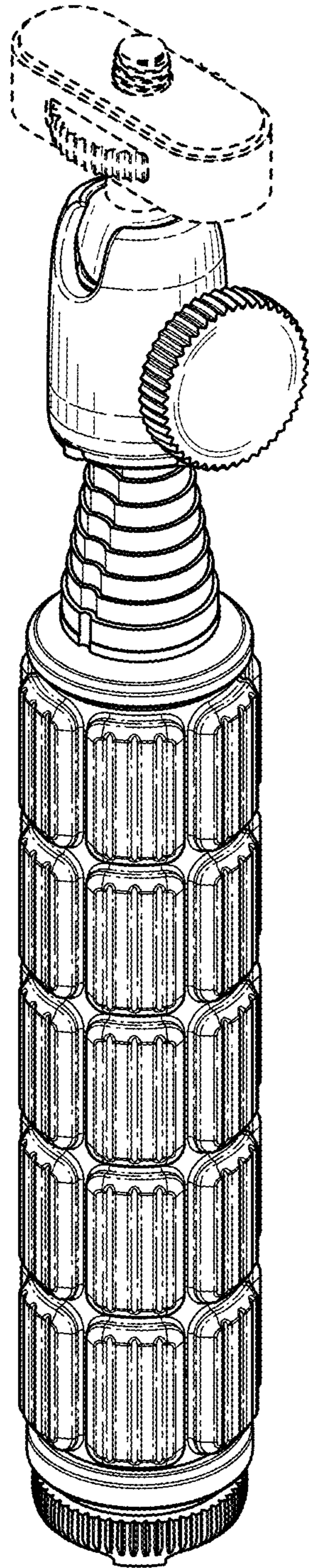


FIG. 2

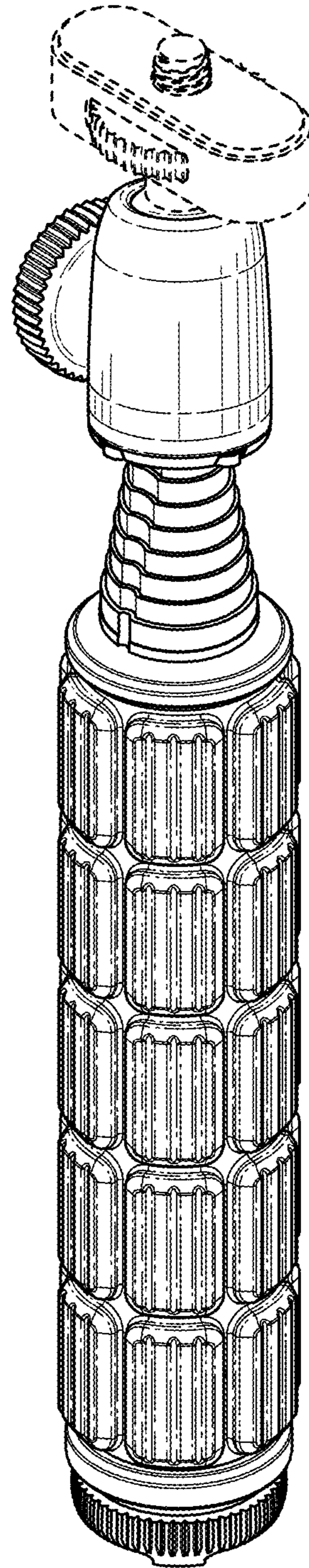


FIG. 3

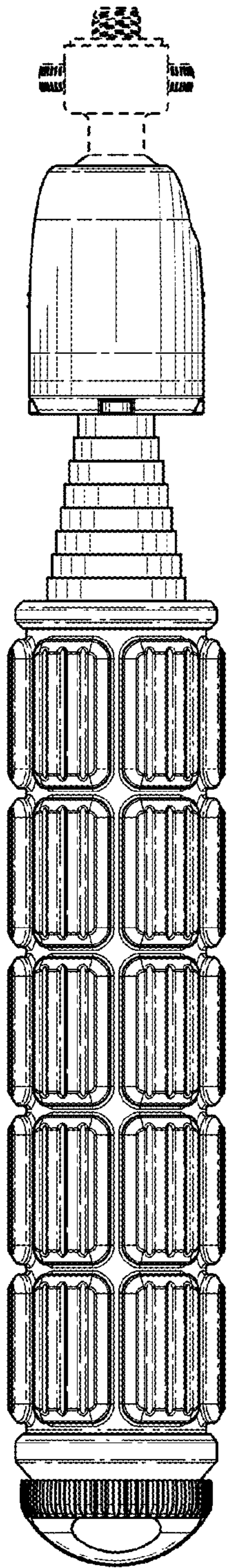


FIG. 4

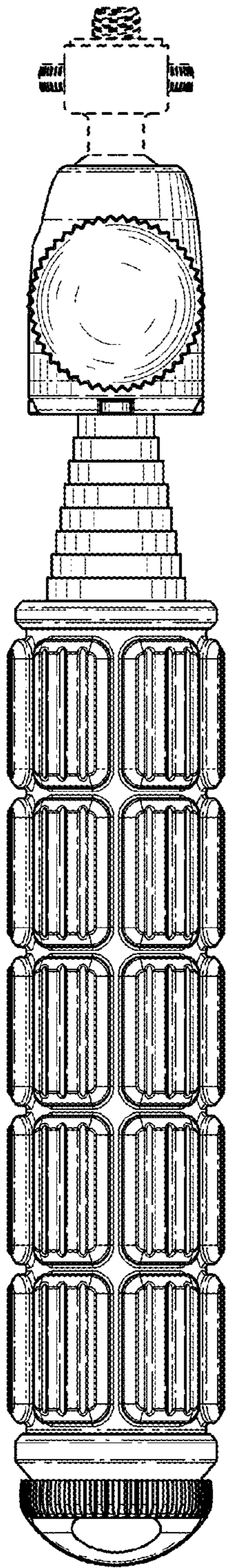


FIG. 5

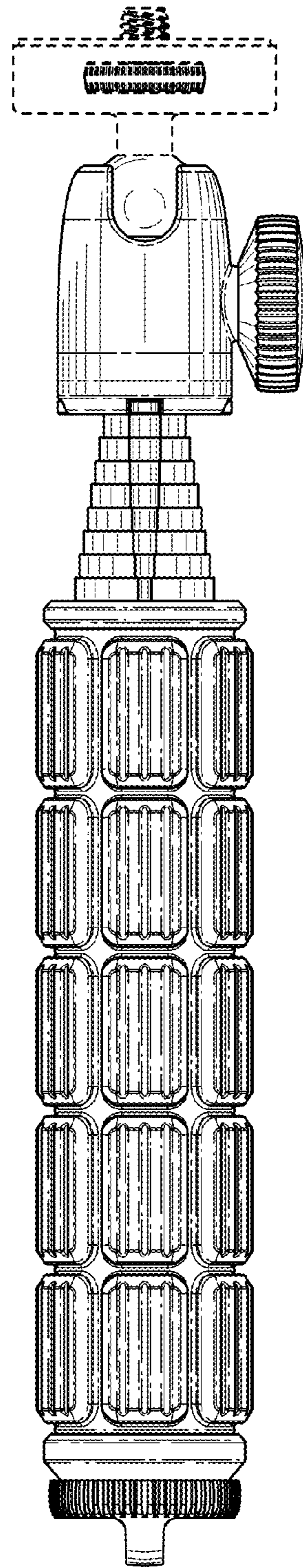


FIG. 6

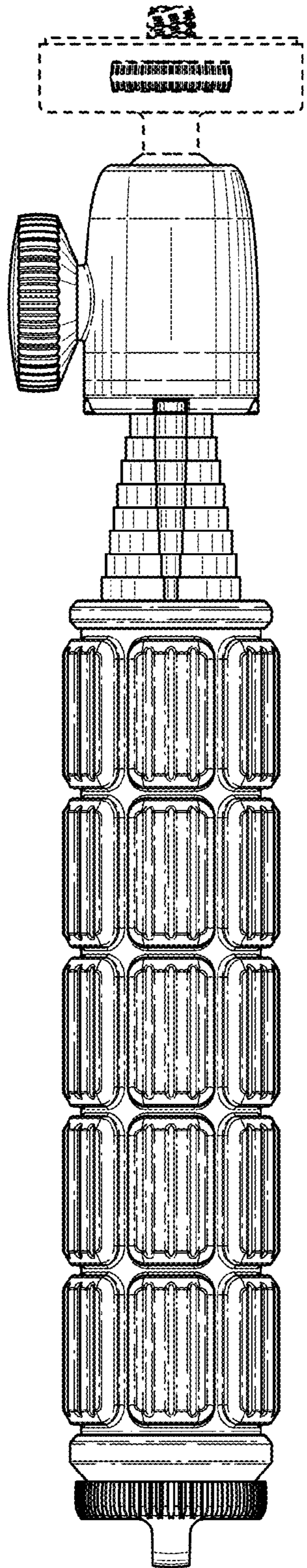


FIG. 7

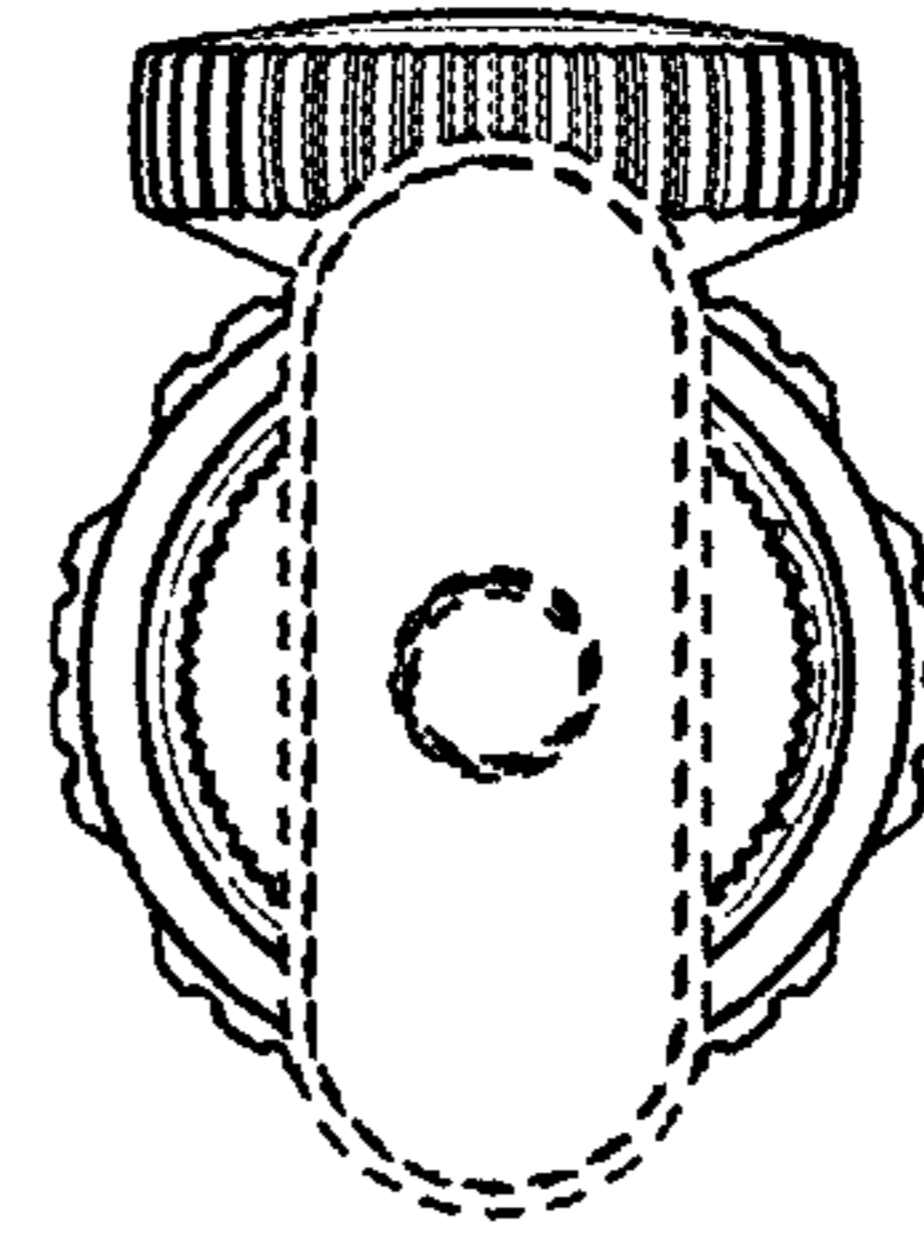


FIG. 8

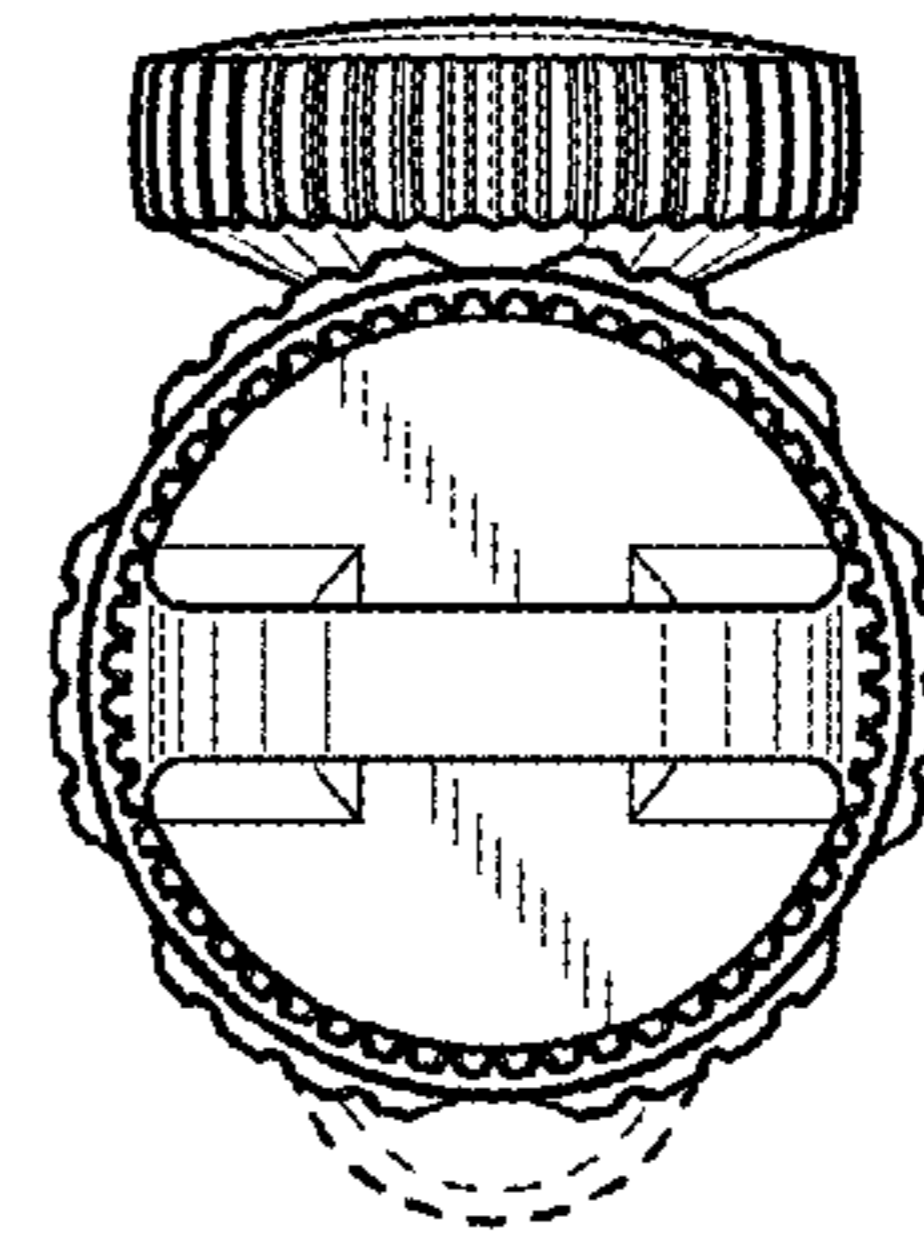


FIG. 9

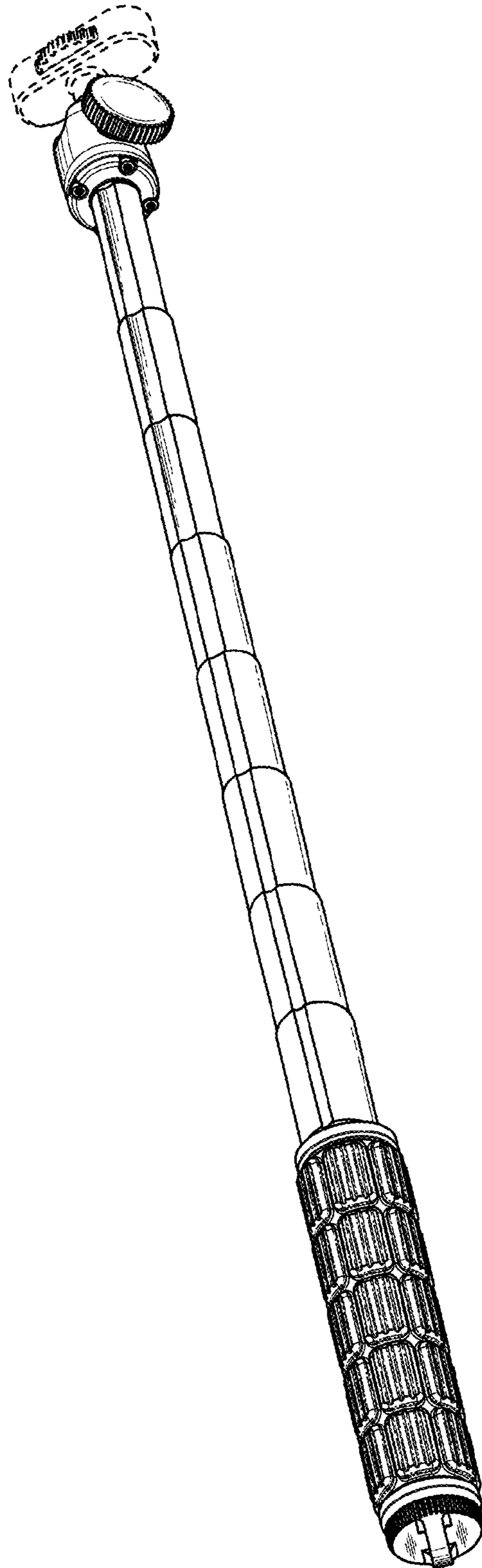


FIG. 10