

US00D747398S

(12) **United States Design Patent**  
**Lee et al.**

(10) **Patent No.:** **US D747,398 S**  
(45) **Date of Patent:** **\*\* Jan. 12, 2016**

(54) **PORTABLE BATTERY-OPERATED  
PHOTOGRAPHY LIGHT WITH CAMERA  
AND TRIPOD MOUNTS**

(71) Applicants: **Hsiang-Yu Lee**, Kaohsiung (TW); **Brent John Siebenaler**, Redondo Beach, CA (US)

(72) Inventors: **Hsiang-Yu Lee**, Kaohsiung (TW); **Brent John Siebenaler**, Redondo Beach, CA (US)

(73) Assignee: **DiCon Fiberoptics, Inc.**, Richmond, CA (US)

(\*\*) Term: **14 Years**

(21) Appl. No.: **29/473,451**

(22) Filed: **Nov. 21, 2013**

(51) **LOC (10) Cl.** ..... **16-05**

(52) **U.S. Cl.**  
USPC ..... **D16/239**

(58) **Field of Classification Search**  
USPC ..... D16/134, 136, 213–219, 235, 237–245;  
D26/37, 38, 63  
CPC ..... G03B 17/02–17/04; G03B 17/14;  
G03B 17/56; G03B 17/561–17/568; G03B  
21/20–21/2066; G03B 15/041–15/0436;  
G02B 7/02–7/04; G02B 7/14; H04N  
5/2251–5/2254

See application file for complete search history.

(56) **References Cited**

U.S. PATENT DOCUMENTS

D437,438 S *	2/2001	Tang	.....	D26/63
D490,925 S *	6/2004	Wilmotte	.....	D26/63
D629,550 S *	12/2010	Sandell	.....	D26/63
D646,417 S *	10/2011	Wauters	.....	D26/63
D662,642 S *	6/2012	Huang et al.	.....	D26/74
D689,538 S *	9/2013	Sato	.....	D16/239
D699,378 S *	2/2014	DiLuciano	.....	D26/37

\* cited by examiner

*Primary Examiner* — Susan Bennett Hattan

*Assistant Examiner* — Vy Koenig

(57) **CLAIM**

The ornamental design for a portable battery-operated photography light with camera and tripod mounts, as shown and described.

**DESCRIPTION**

FIG. 1 is a front perspective view of the portable battery operated photography light with camera and tripod mounts.

FIG. 2 is a rear perspective view thereof. The broken oval line in FIG. 2 illustrates unclaimed structure.

FIG. 3 is a front view thereof.

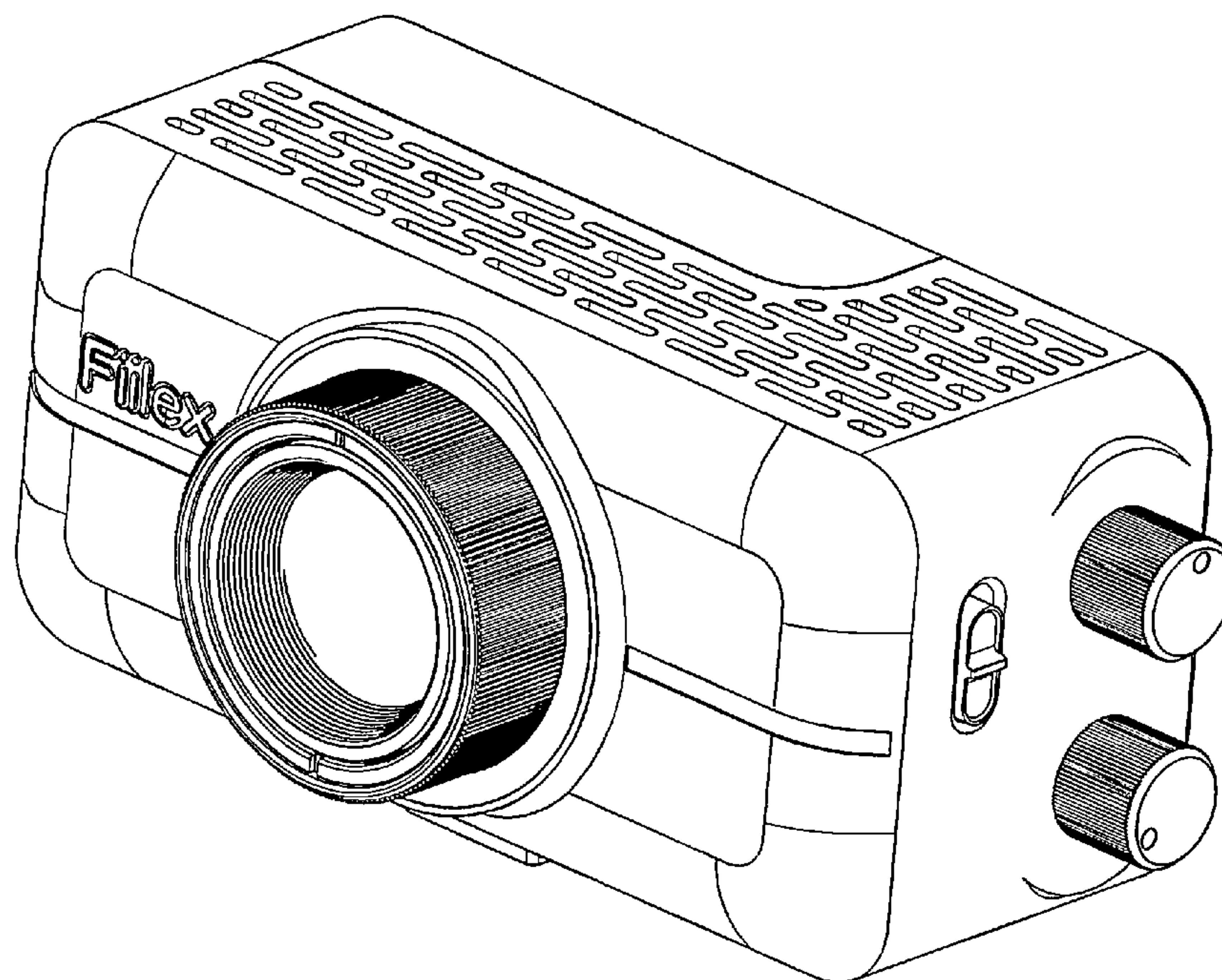
FIG. 4 is a rear view thereof. The broken circular lines in FIG. 4 illustrate unclaimed structure.

FIGS. 5 and 6 are side views thereof; and,

FIG. 7 is a top view thereof.

The broken lines in FIGS. 2 and 4 illustrate unclaimed structure. For information purposes, this unclaimed structure represents an electrical connector of circular shape on the rear face of the light, for insertion of a DC power connector and cord, associated with the light's external AC-to-DC power supply/adaptor, or external battery pack.

**1 Claim, 5 Drawing Sheets**



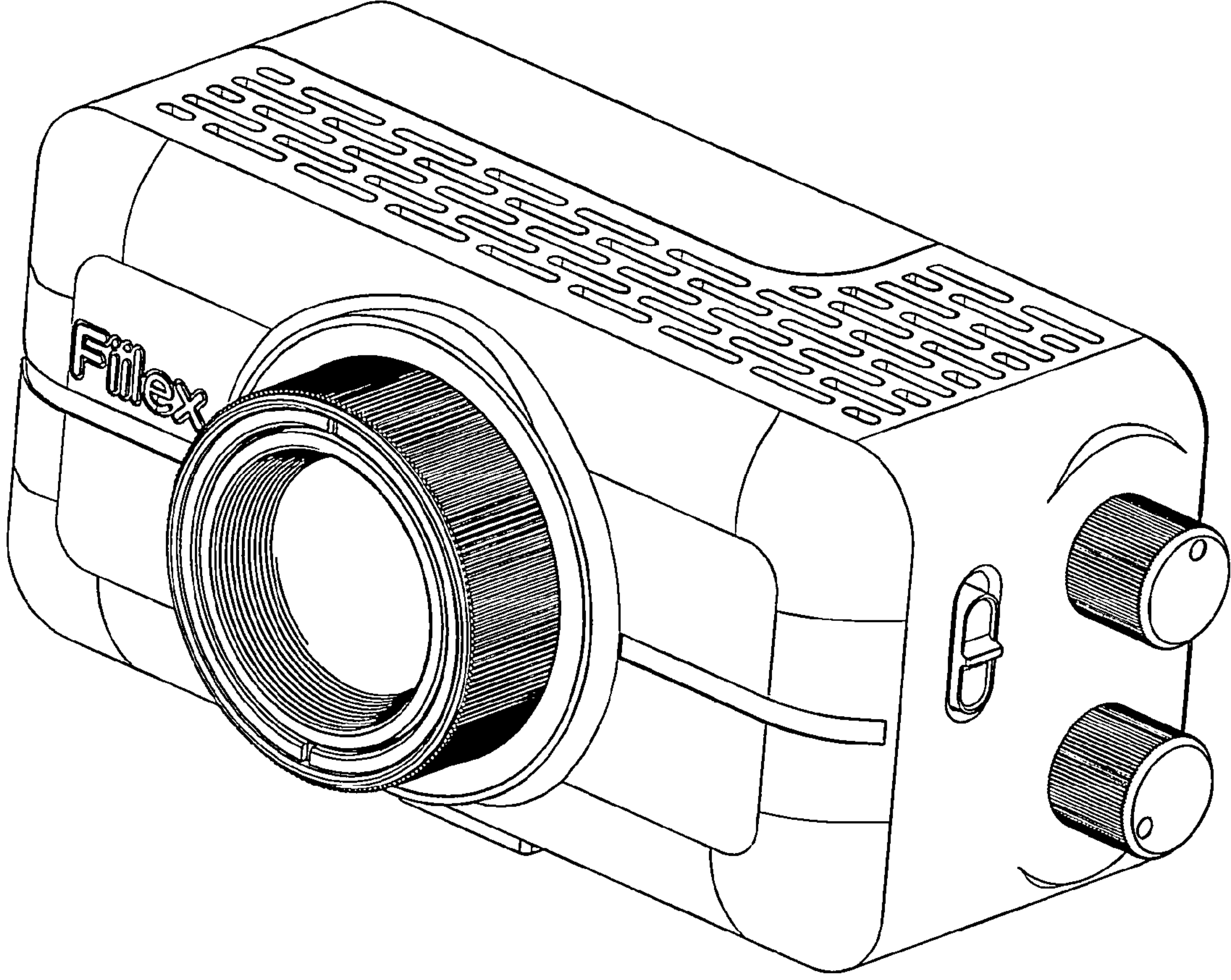


FIG. 1



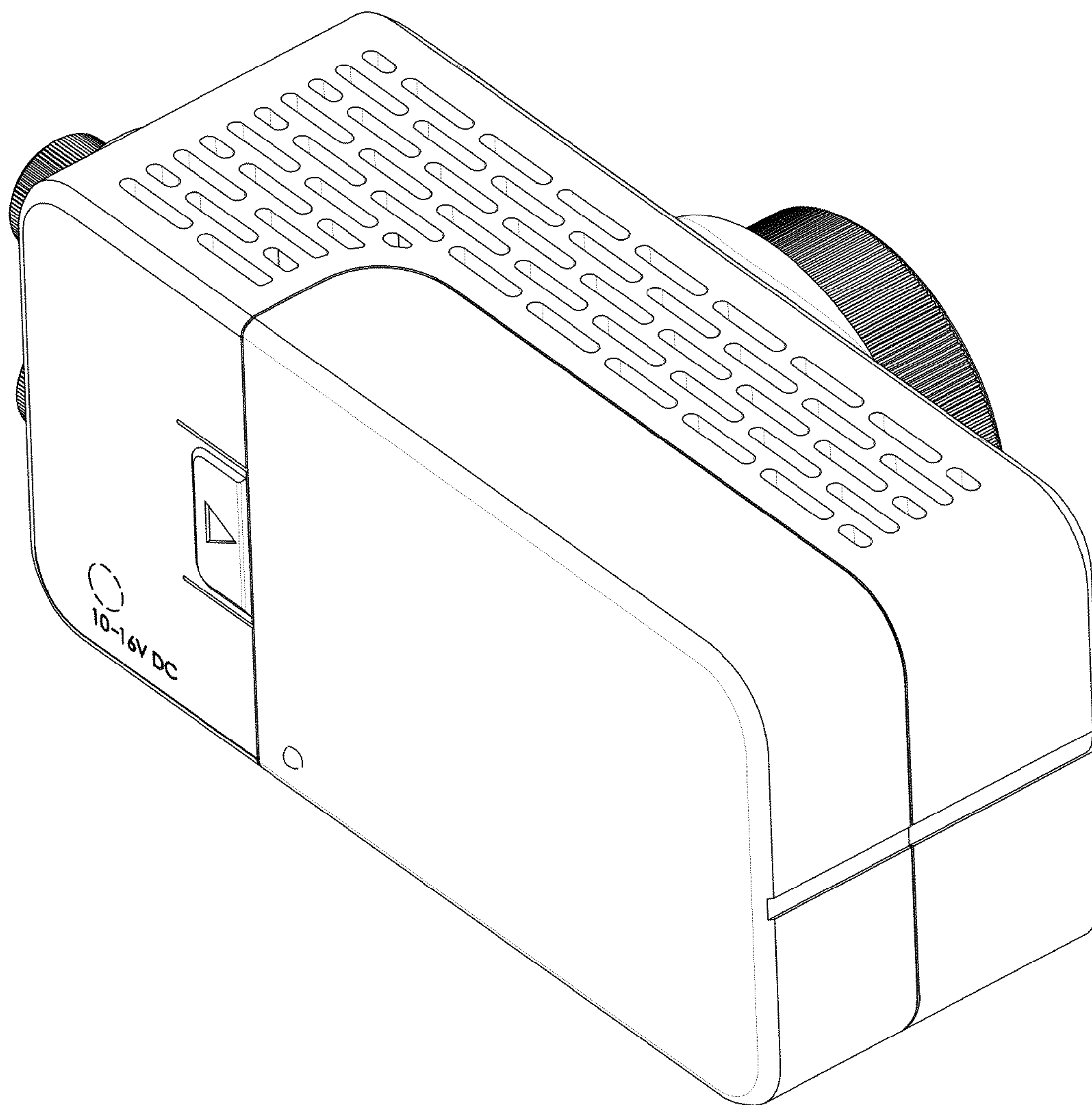


FIG. 2

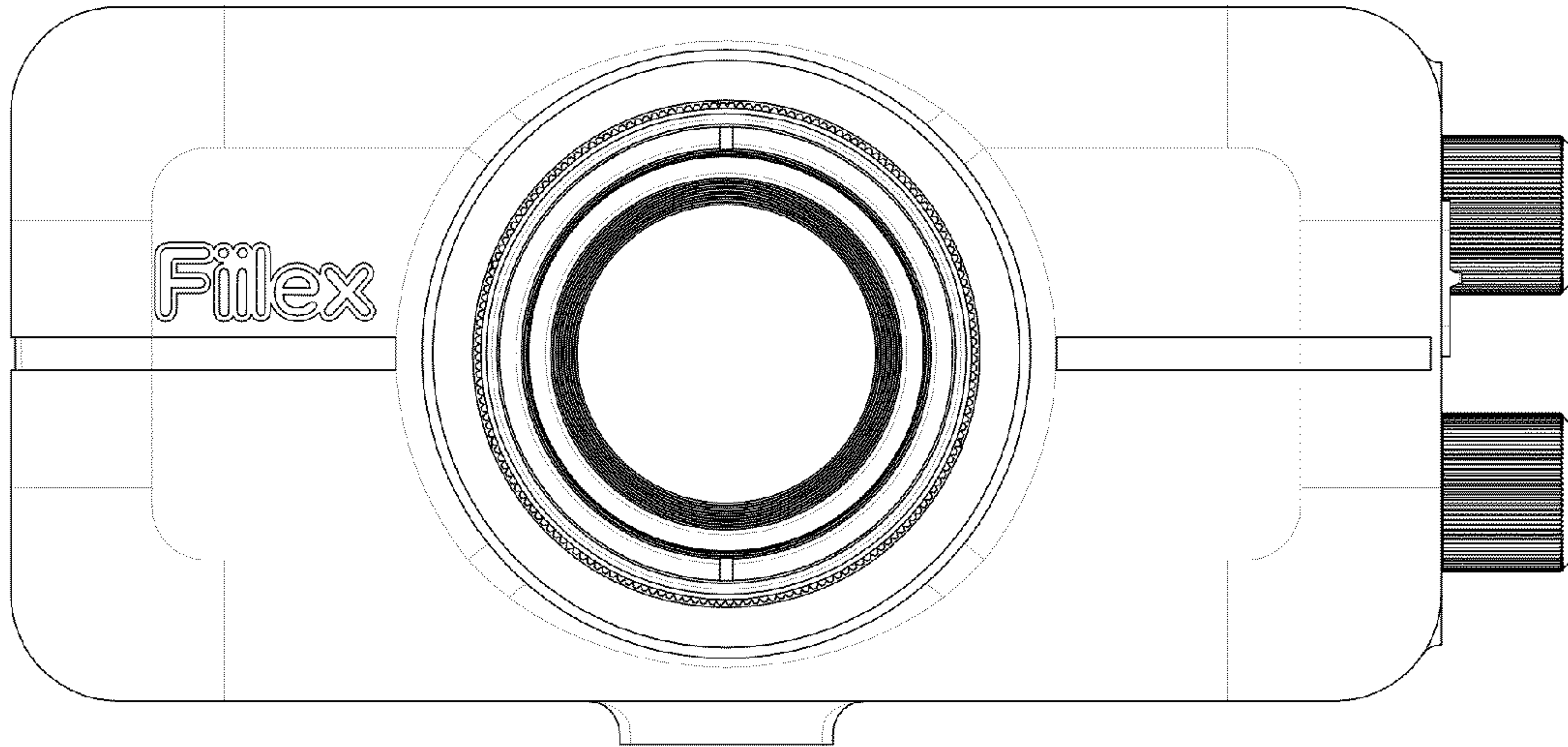


FIG. 3

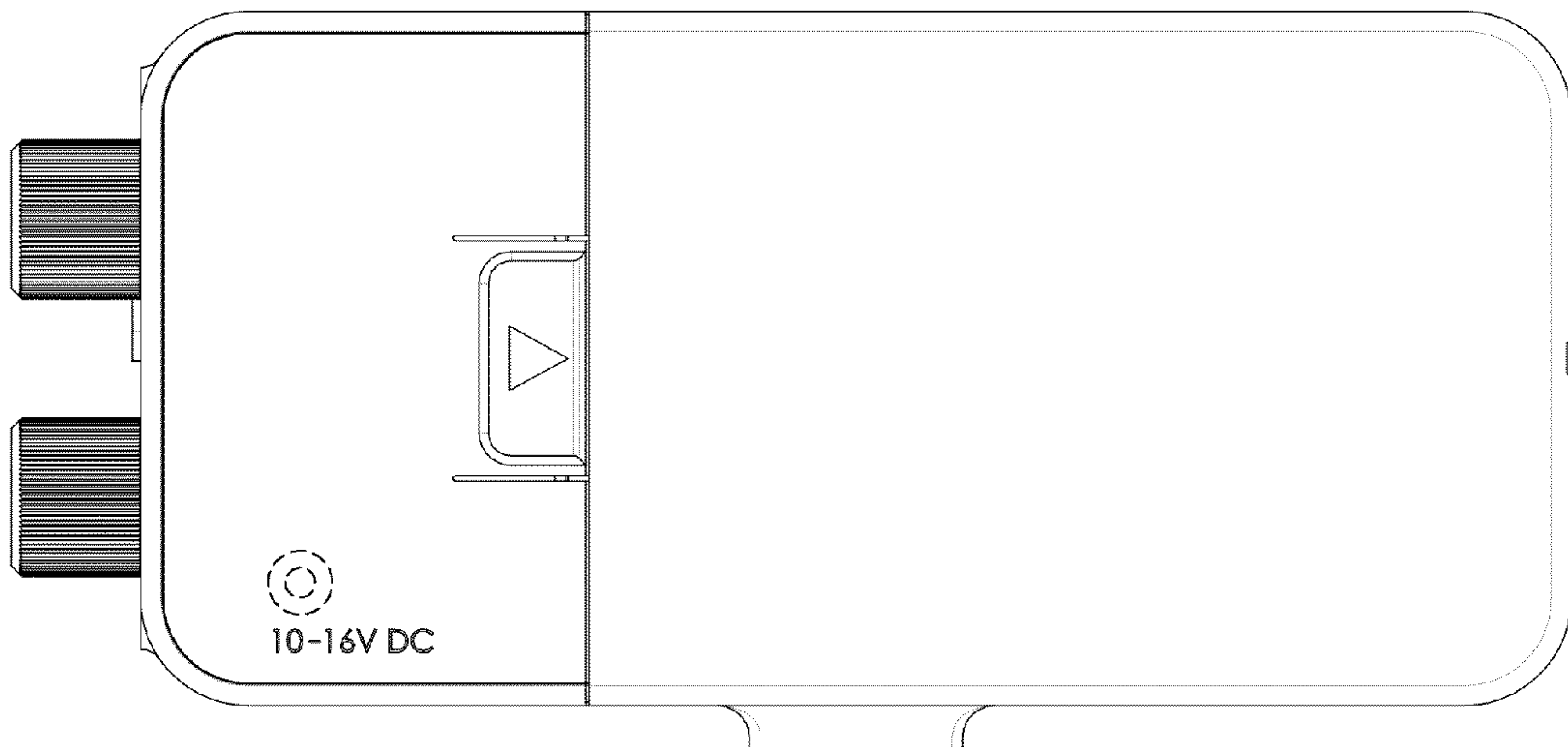


FIG. 4

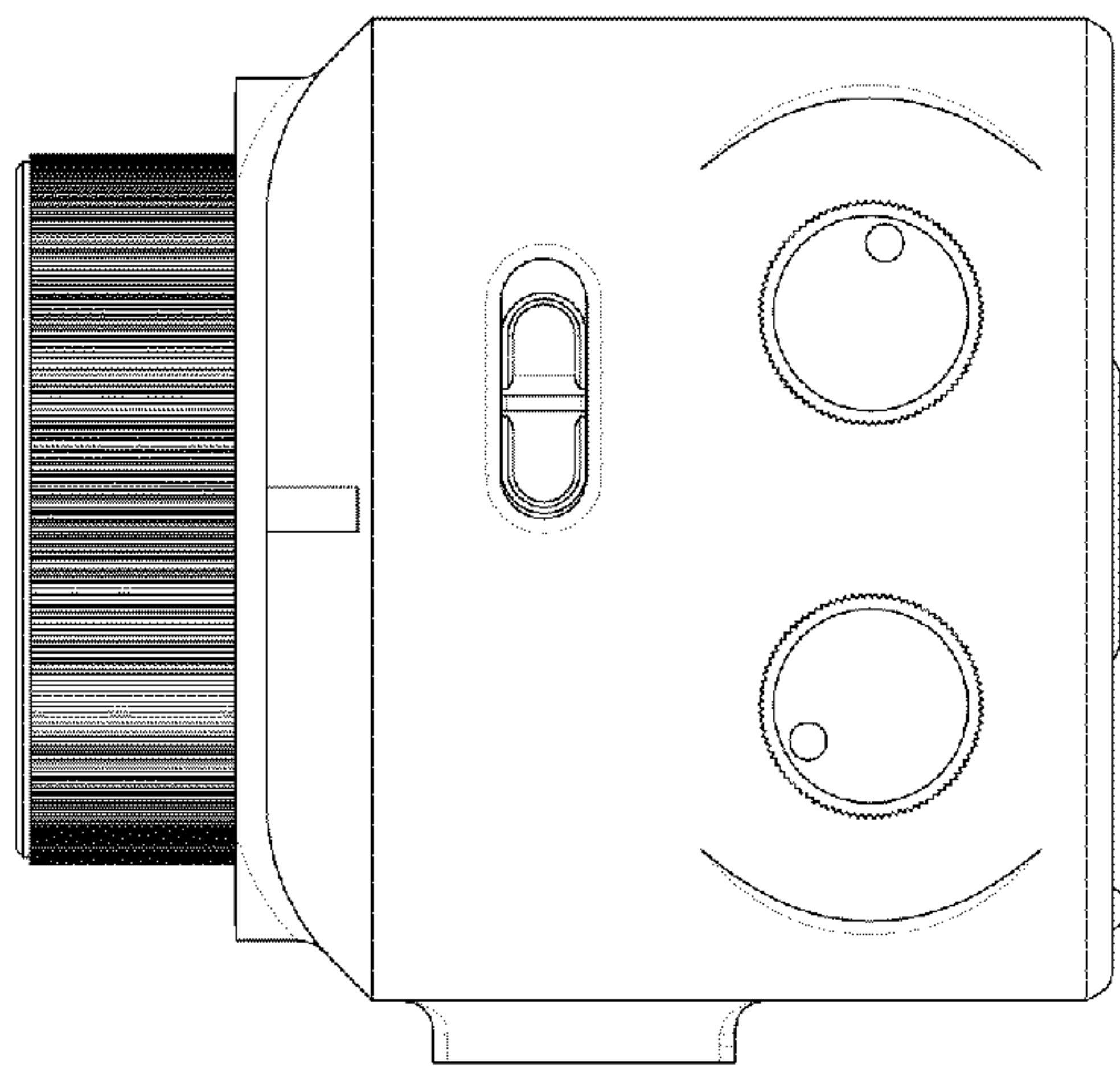


FIG. 5

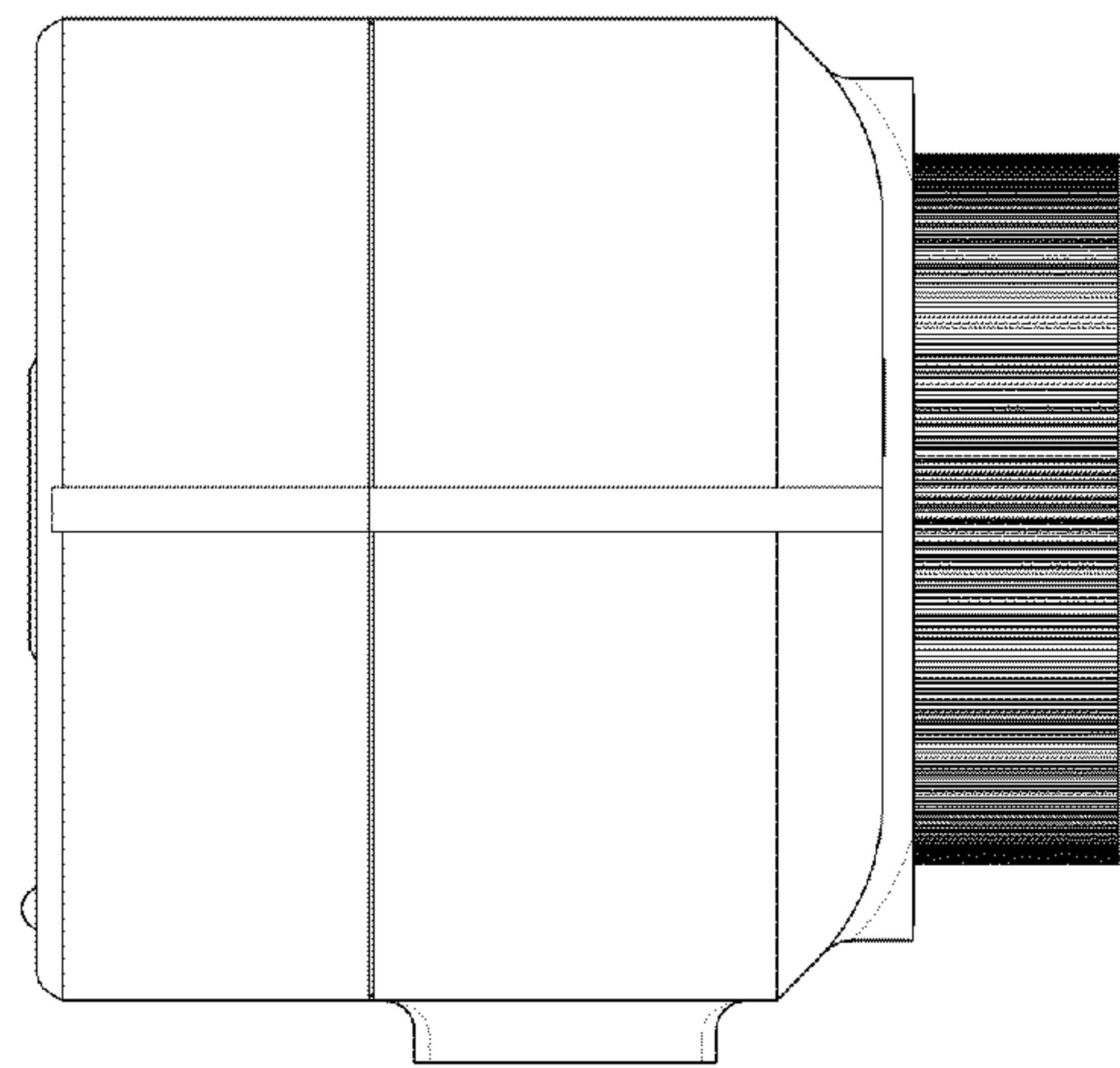


FIG. 6

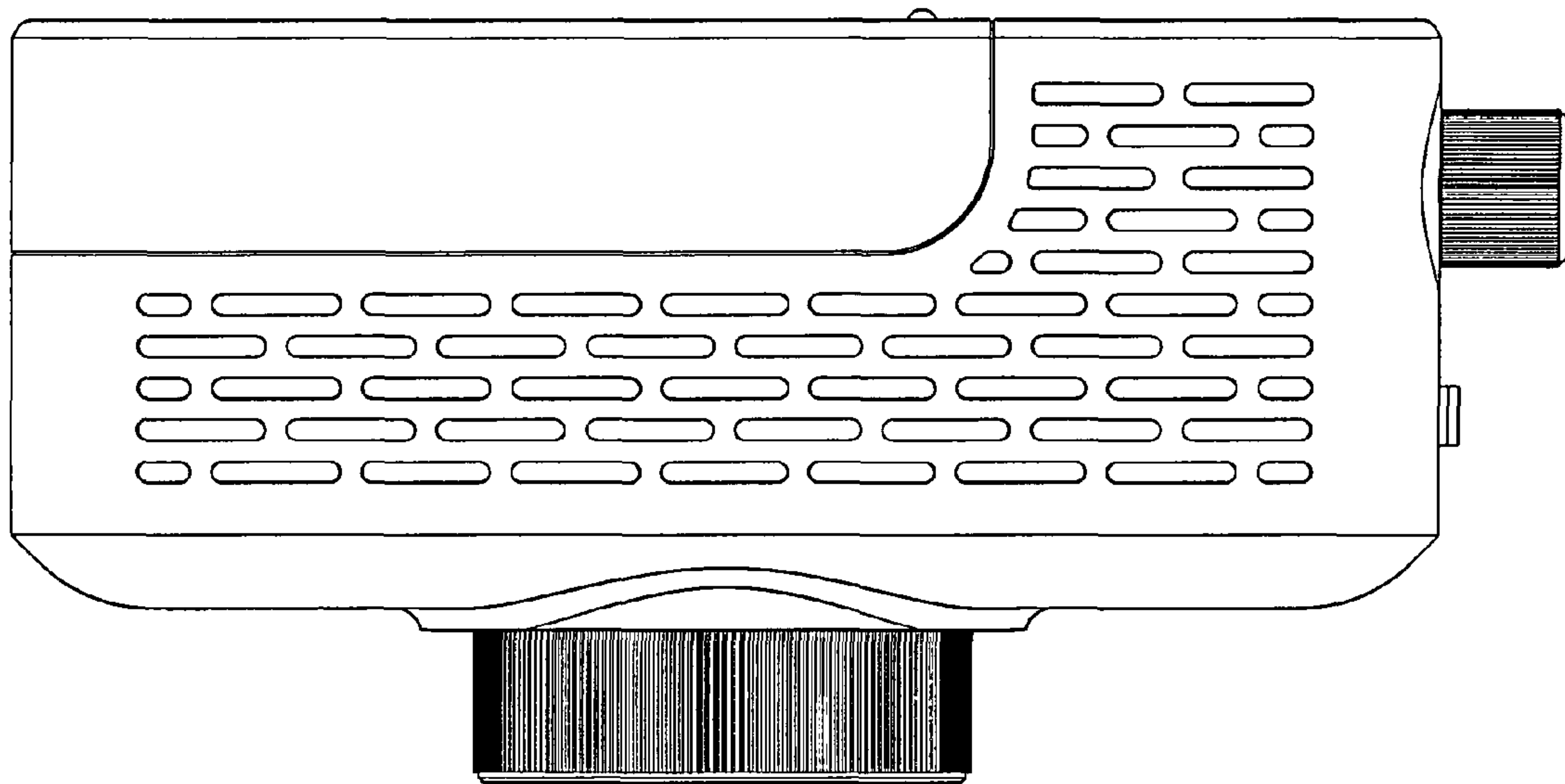


FIG. 7