



US00D747397S

(12) **United States Design Patent**
Go

(10) **Patent No.:** **US D747,397 S**
(45) **Date of Patent:** **** Jan. 12, 2016**

- (54) **STAND FOR PROJECTOR**
- (71) Applicant: **LG ELECTRONICS INC.**, Seoul (KR)
- (72) Inventor: **Jaesung Go**, Seoul (KR)
- (73) Assignee: **LG Electronics Inc.**, Seoul (KR)
- (**) Term: **14 Years**
- (21) Appl. No.: **29/516,147**
- (22) Filed: **Jan. 29, 2015**

D652,045 S * 1/2012 Hong D14/447
 D690,306 S * 9/2013 Malisse D14/447
 D741,397 S * 10/2015 Minn D16/244

* cited by examiner

Primary Examiner — Wan Laymon
 (74) *Attorney, Agent, or Firm* — Birch, Stewart, Kolasch & Birch, LLP

- (30) **Foreign Application Priority Data**
 Jul. 30, 2014 (KR) 30-2014-0037531
- (51) **LOC (10) Cl.** **16-02**
- (52) **U.S. Cl.**
 USPC **D16/235**
- (58) **Field of Classification Search**
 USPC D16/235, 242, 244; D8/349, 354, 373;
 D14/447; 353/119; 248/133, 136, 150,
 248/176.1, 176.3, 188.6, 274.1, 346.01,
 248/346.03, 919
 CPC G03B 21/30; G03B 17/561; F16M 11/04;
 F16M 11/18; F16M 11/2057; F16M 11/2064
 See application file for complete search history.

(57) **CLAIM**
 The ornamental design for a stand for projector, as shown and described.

DESCRIPTION

FIG. 1 is a front, right side, perspective view of a stand for projector showing our new design;
 FIG. 2 is a front view thereof;
 FIG. 3 is a rear view thereof;
 FIG. 4 is a left side view thereof;
 FIG. 5 is a right side view thereof;
 FIG. 6 is a top view thereof;
 FIG. 7 is a bottom view thereof;
 FIG. 8 is a front, right side, perspective view with the projector thereof;
 FIG. 9 is a front, right side, perspective view in a rotated state of ballhead with the projector thereof; and,
 FIG. 10 is a front, right side, perspective view in a folded state thereof.
 The broken lines indicate unclaimed portion of the article that form no part of the claimed design.

- (56) **References Cited**
 U.S. PATENT DOCUMENTS
 D623,679 S * 9/2010 Dittmer D16/235
 D624,949 S * 10/2010 Nakayama D16/235

1 Claim, 9 Drawing Sheets

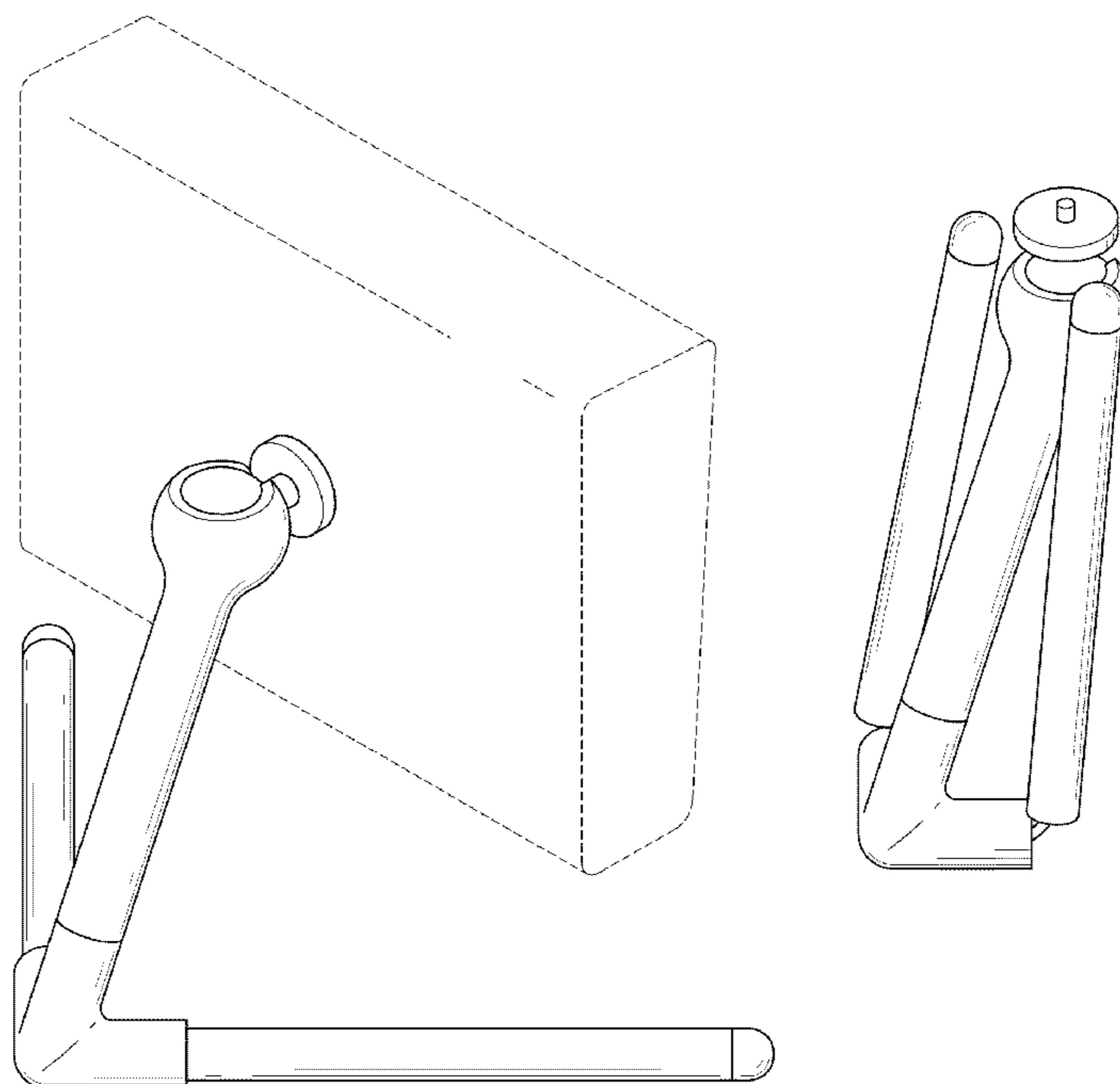


FIG. 1

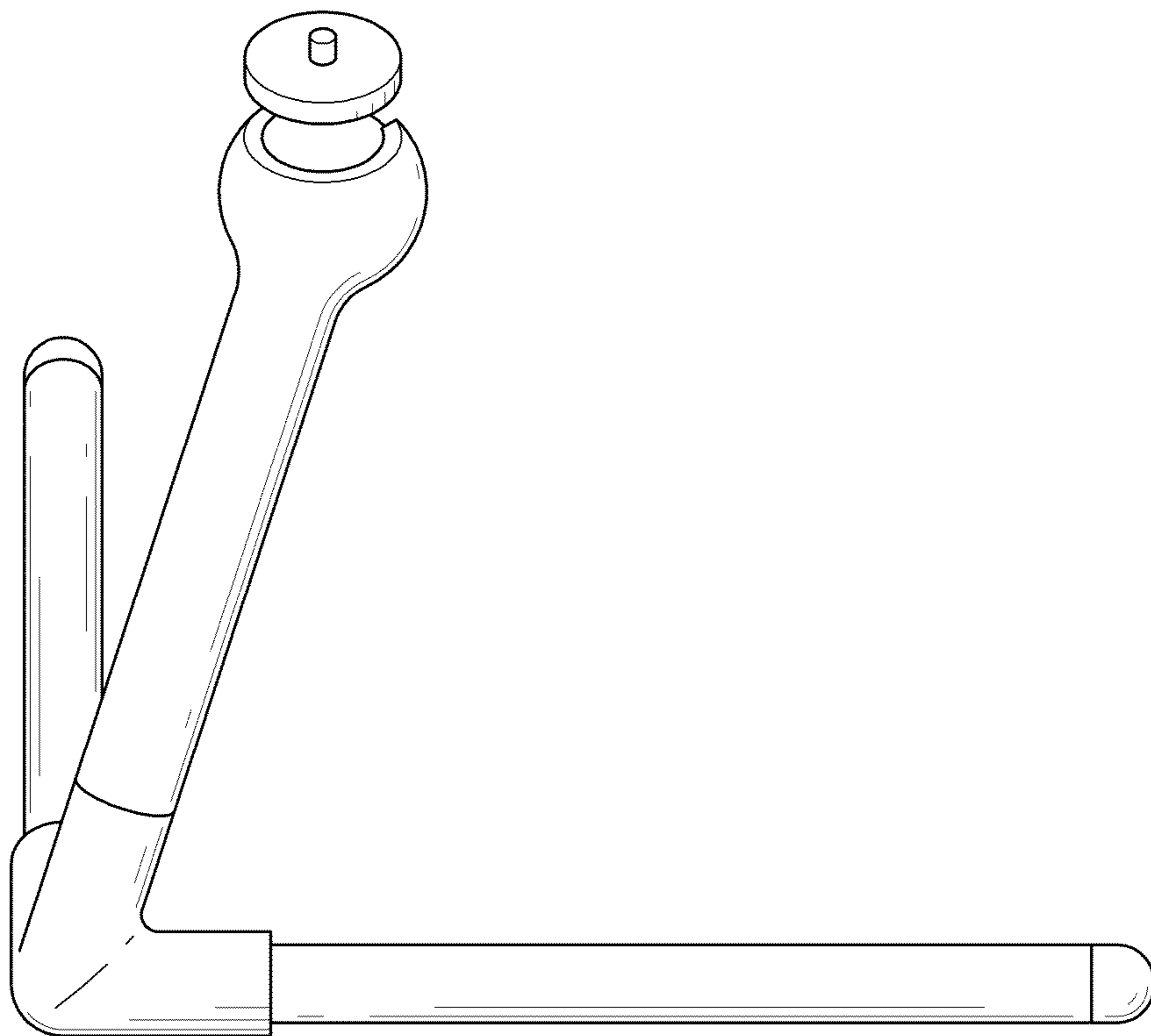


FIG. 2

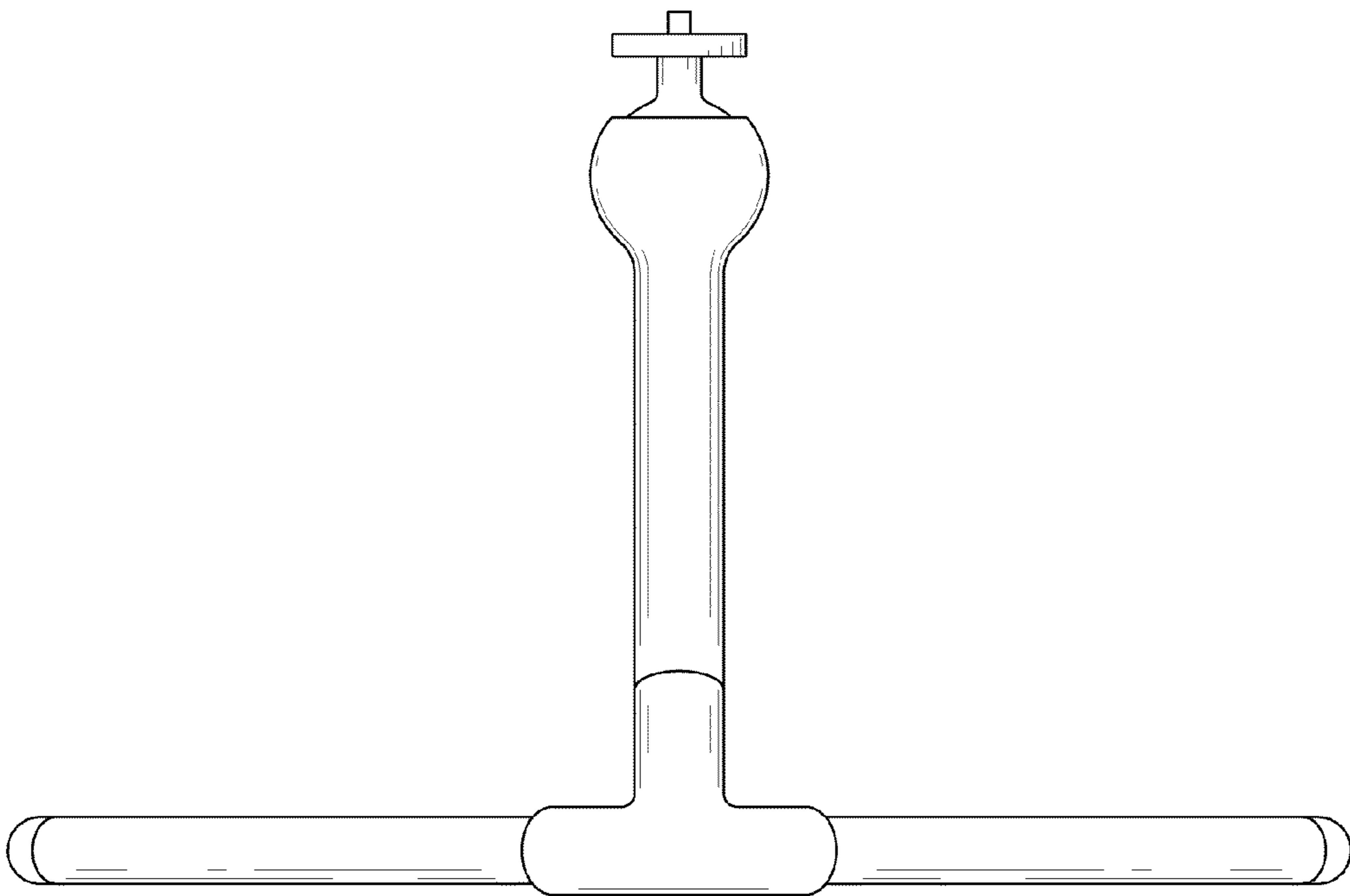


FIG. 3

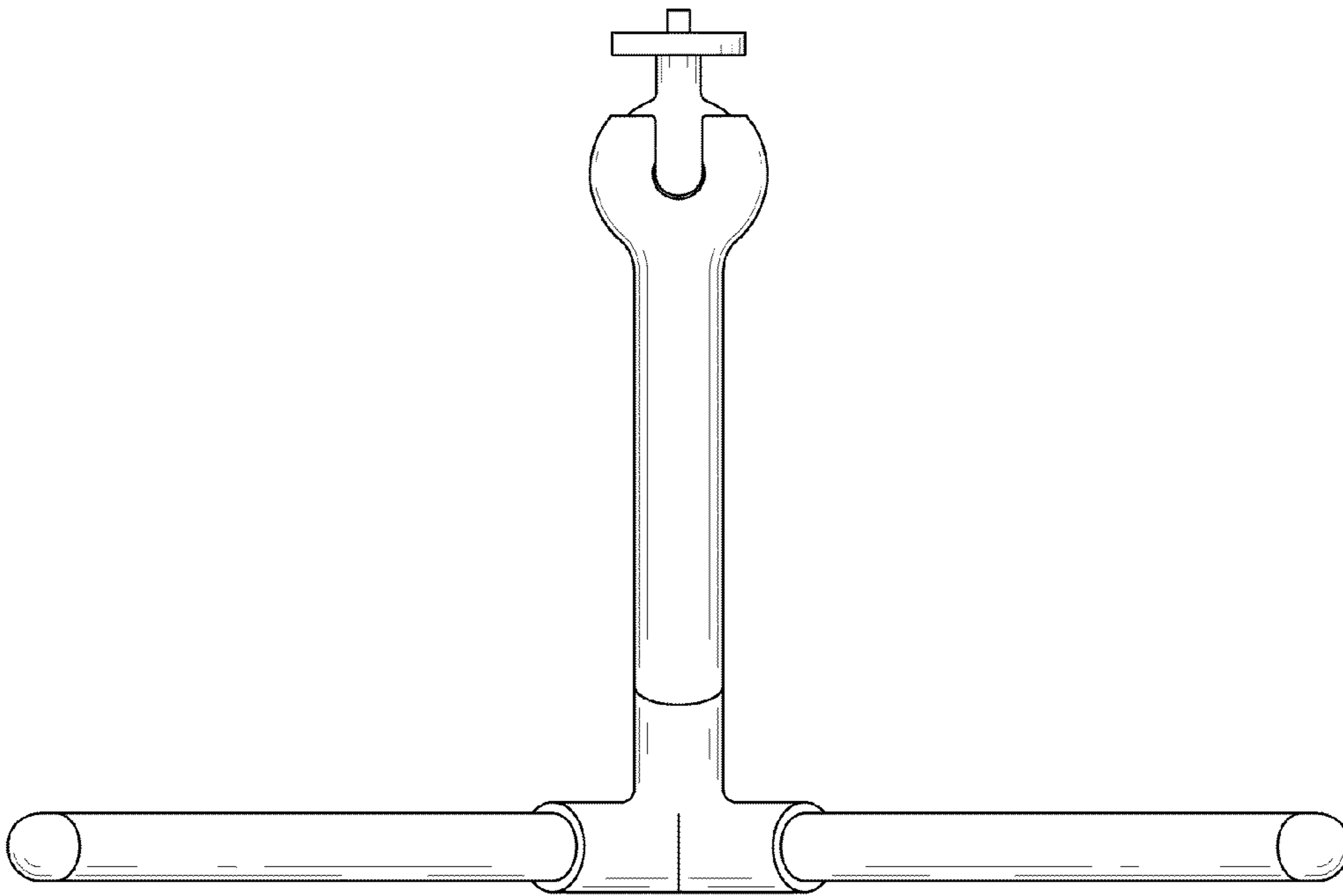


FIG. 4

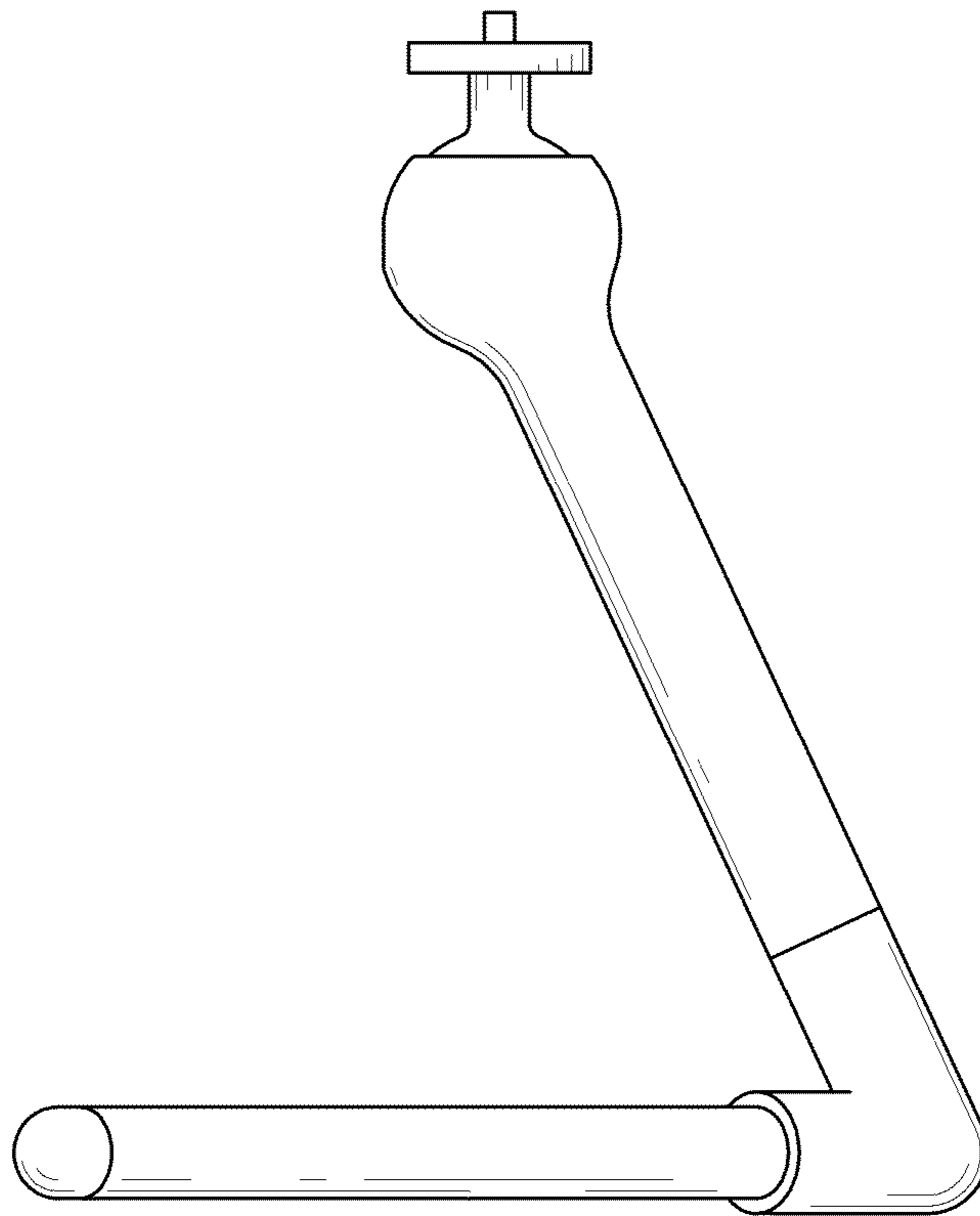


FIG. 5

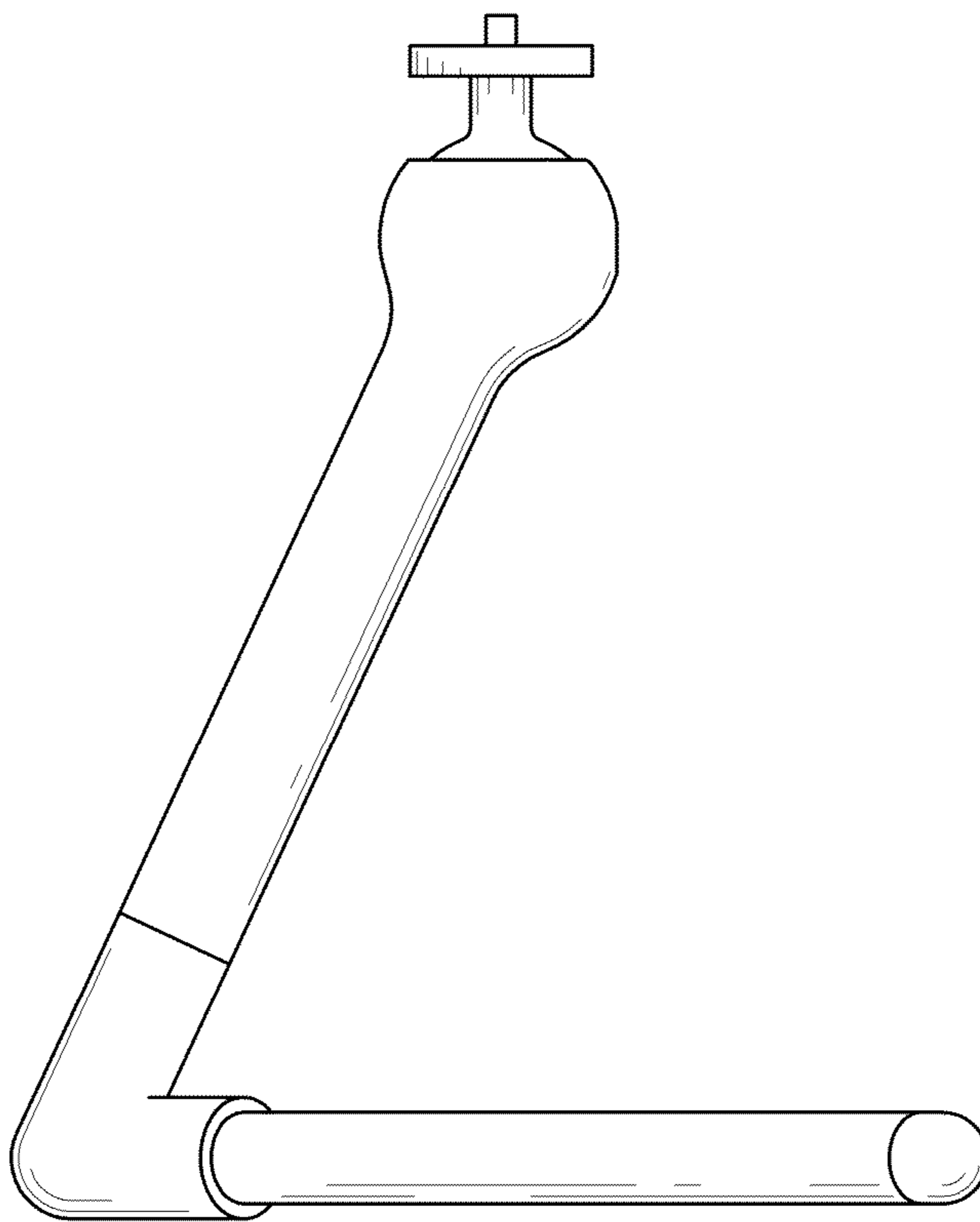


FIG. 6

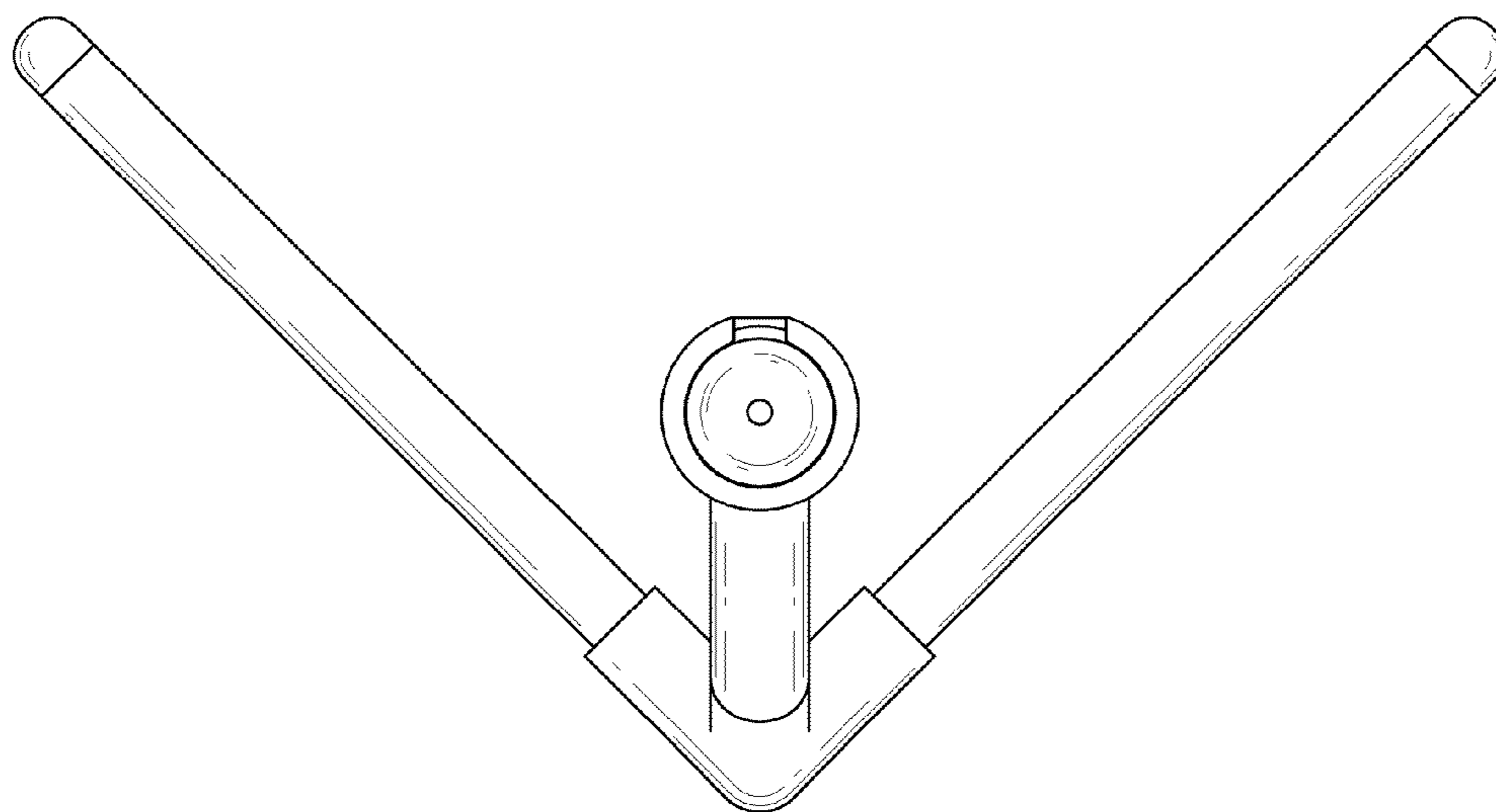


FIG. 7

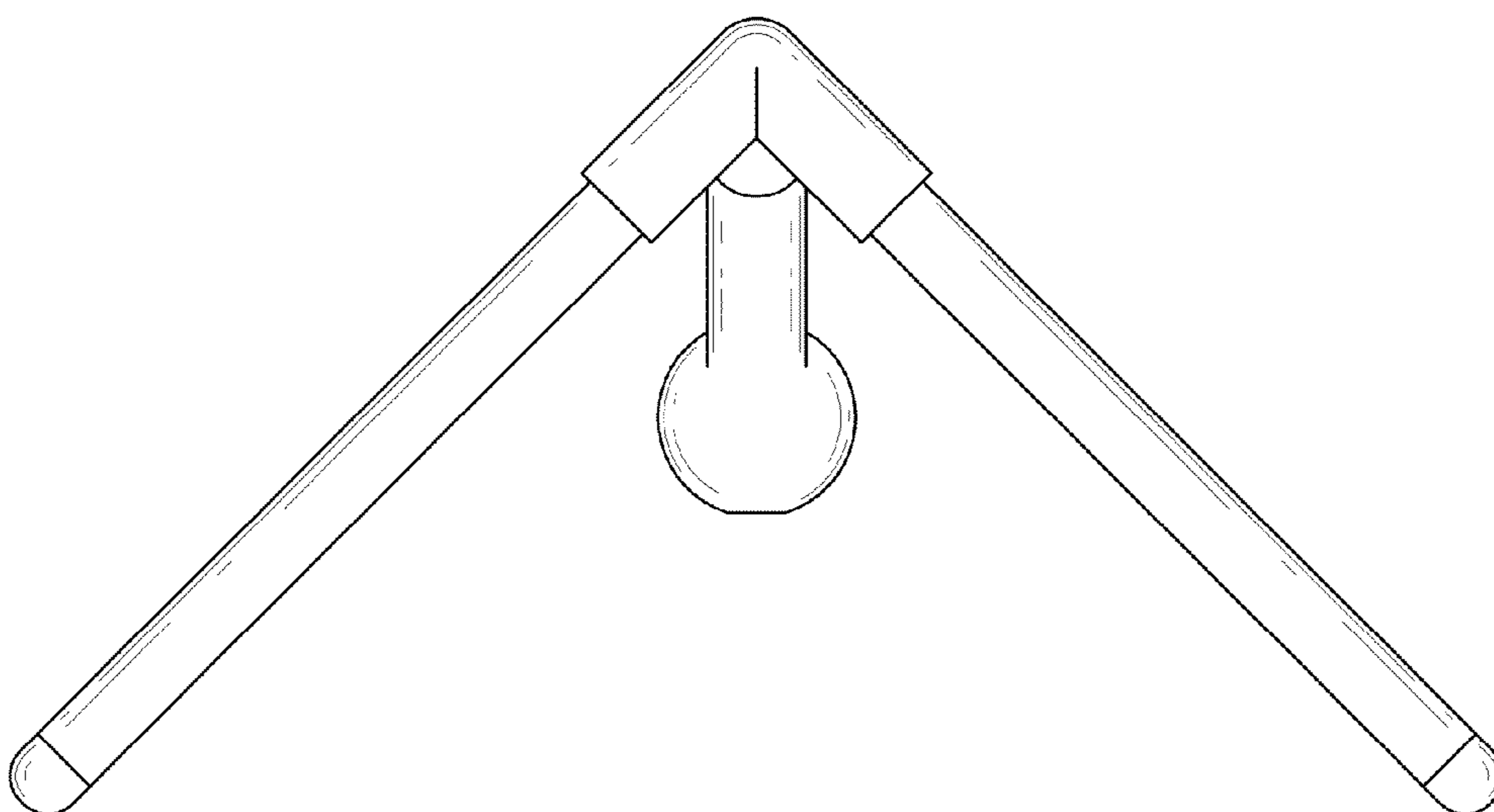


FIG. 8

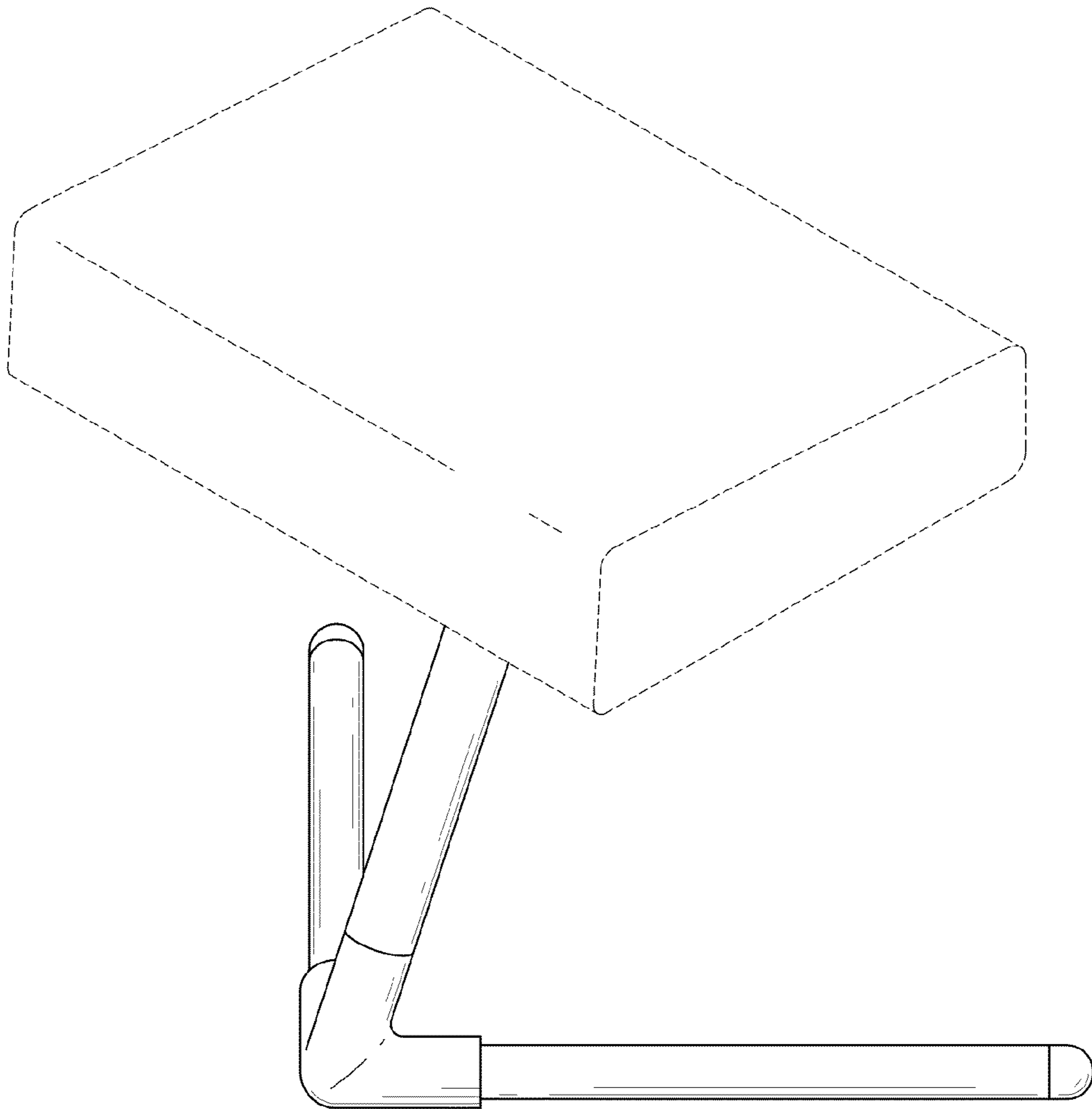


FIG. 9

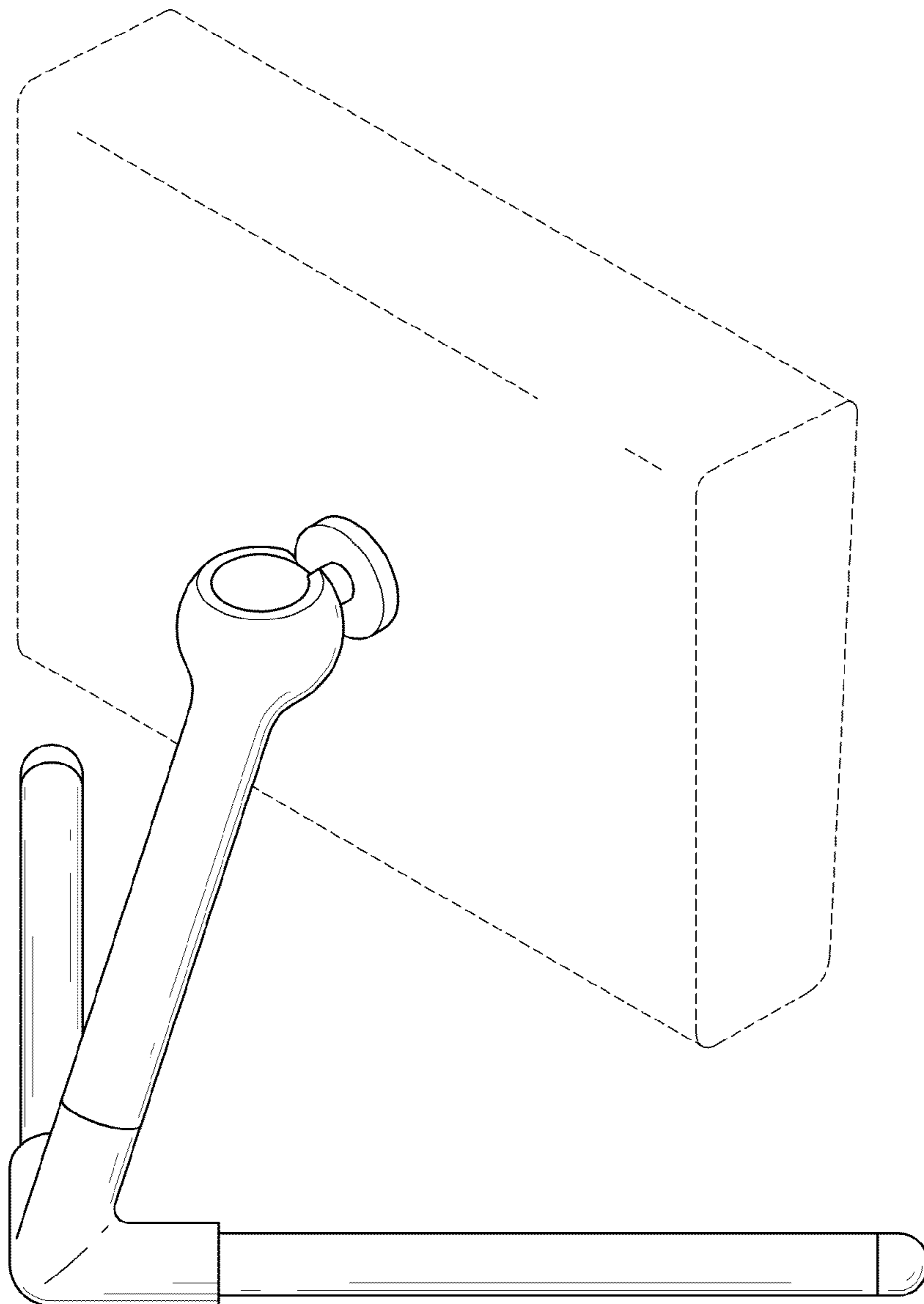


FIG. 10

