



US00D747396S

(12) **United States Design Patent**
Cho

(10) **Patent No.:** **US D747,396 S**

(45) **Date of Patent:** **** Jan. 12, 2016**

(54) **CAMERA**

(71) Applicant: **Samsung Electronics Co., Ltd.**,
Suwon-si, Gyeonggi-do (KR)

(72) Inventor: **Chang-Sin Cho**, Seoul (KR)

(73) Assignee: **SAMSUNG ELECTRONICS CO., LTD.** (KR)

(**) Term: **14 Years**

(21) Appl. No.: **29/509,169**

(22) Filed: **Nov. 14, 2014**

(30) **Foreign Application Priority Data**

May 15, 2014 (KR) 30-2014-0023938

(51) **LOC (10) Cl.** **16-05**

(52) **U.S. Cl.**
USPC **D16/219**

(58) **Field of Classification Search**
USPC D16/200, 202, 204, 218, 219;
348/373–376; 396/535–541
CPC . H04N 5/2251; H04N 5/2252; H04N 5/2253;
H04N 5/2254; H04N 2101/00

See application file for complete search history.

(56) **References Cited**

U.S. PATENT DOCUMENTS

D508,711	S *	8/2005	Suzuki	D16/202
D561,225	S *	2/2008	Miyahara	D16/219
7,646,426	B2 *	1/2010	Saiki	G06F 1/1626 348/373
D682,334	S *	5/2013	Inshik	D16/202
8,488,018	B2 *	7/2013	Maeda	G02B 15/177 348/374
D717,852	S *	11/2014	Kim	D16/202
D730,964	S *	6/2015	Jang	D16/202
2009/0295984	A1 *	12/2009	Kawai	H04N 5/2251 348/373

* cited by examiner

Primary Examiner — Adir Aronovich

(74) *Attorney, Agent, or Firm* — Cantor Colburn LLP

(57) **CLAIM**

The ornamental design for a camera, as shown and described.

DESCRIPTION

FIG. 1 is a front, top and right side prospective view of a camera showing my new design;
FIG. 2 is a front elevational view thereof;
FIG. 3 is a rear elevational view thereof;
FIG. 4 is a left side elevational view thereof;
FIG. 5 is a right side elevational view thereof;
FIG. 6 is top plan view thereof; and,
FIG. 7 is bottom plan view thereof.
The broken lines depict portions of the camera in which the design is embodied and form no part of the claimed design.

1 Claim, 3 Drawing Sheets

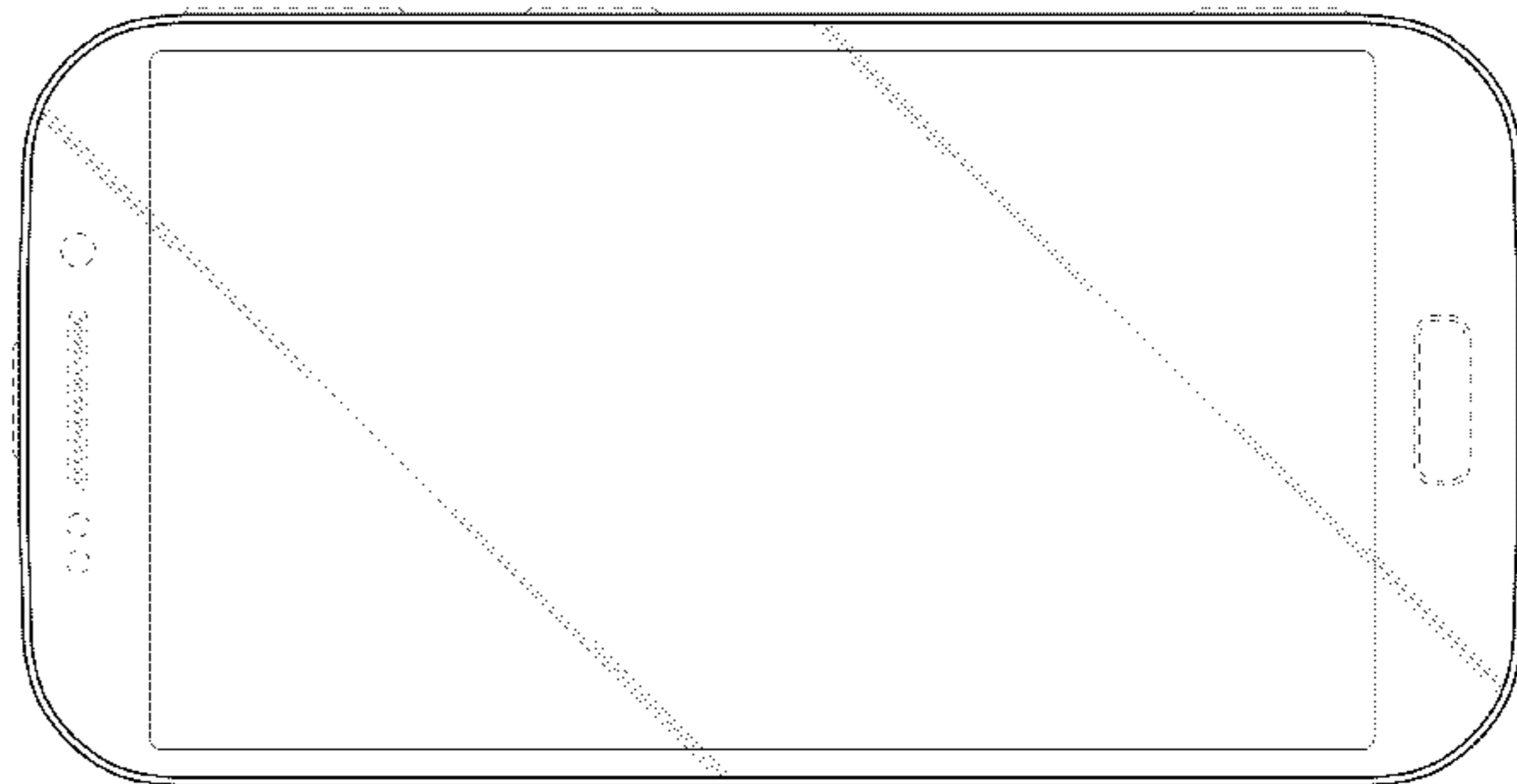
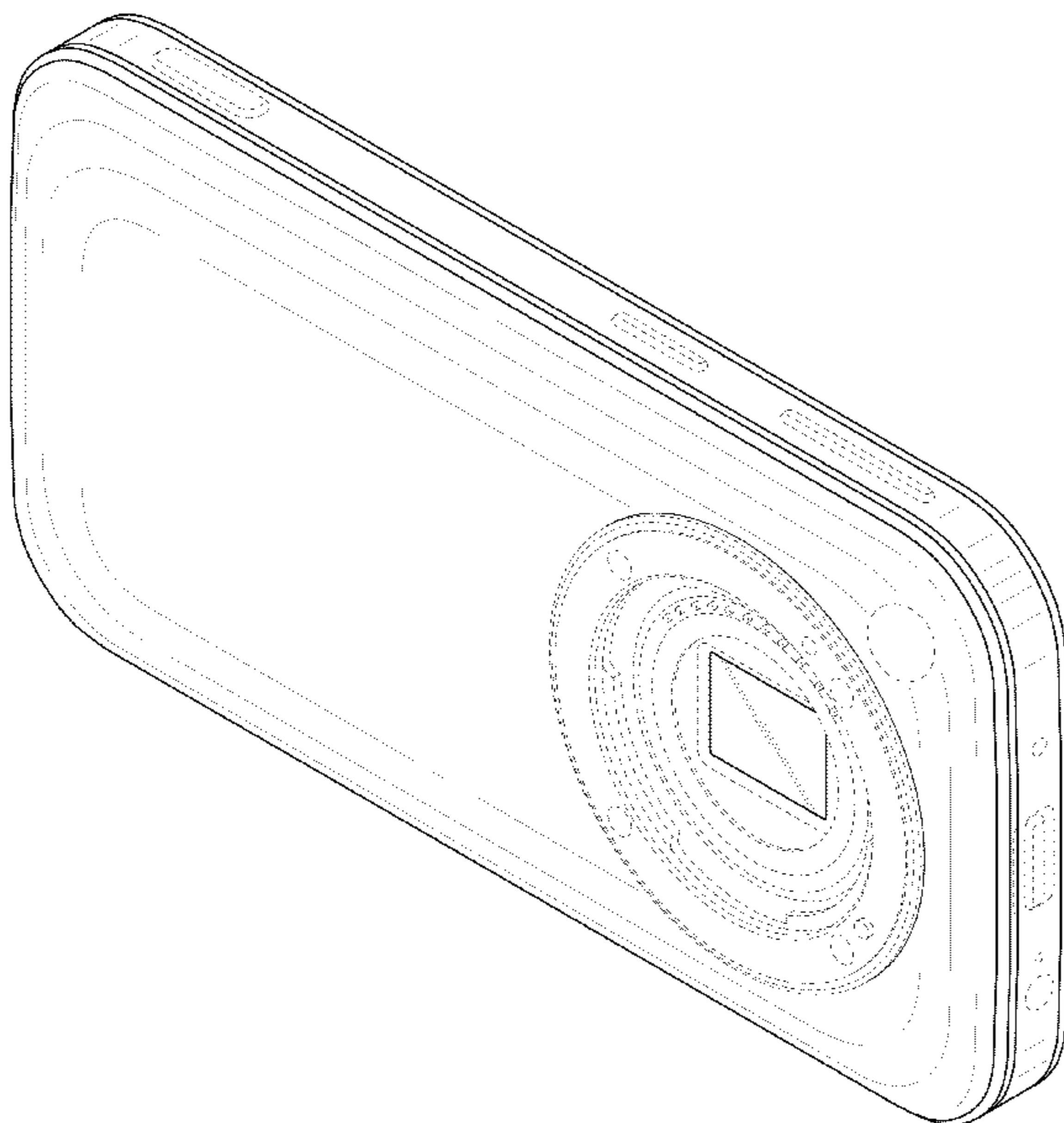


FIG.1

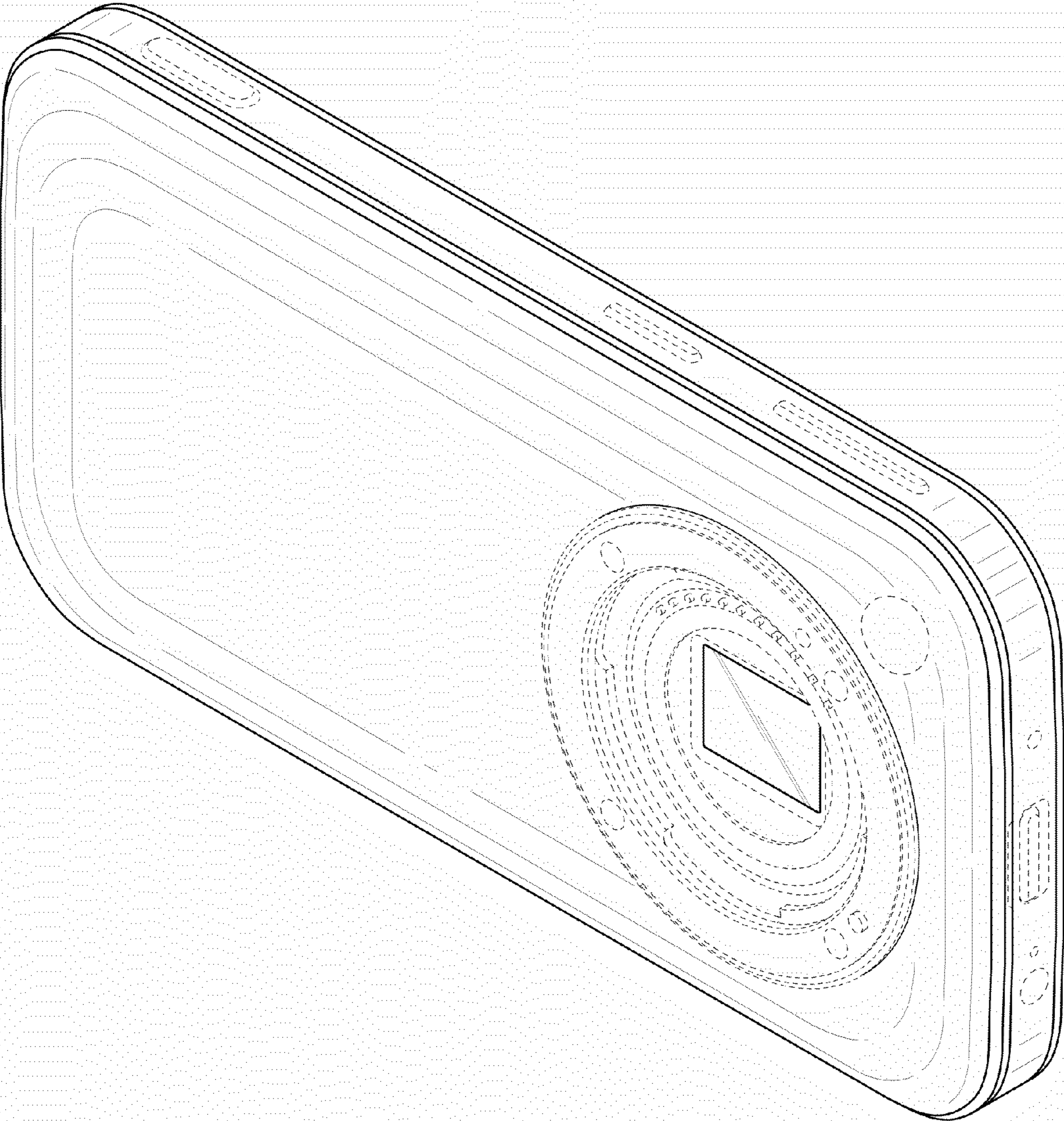


FIG.2

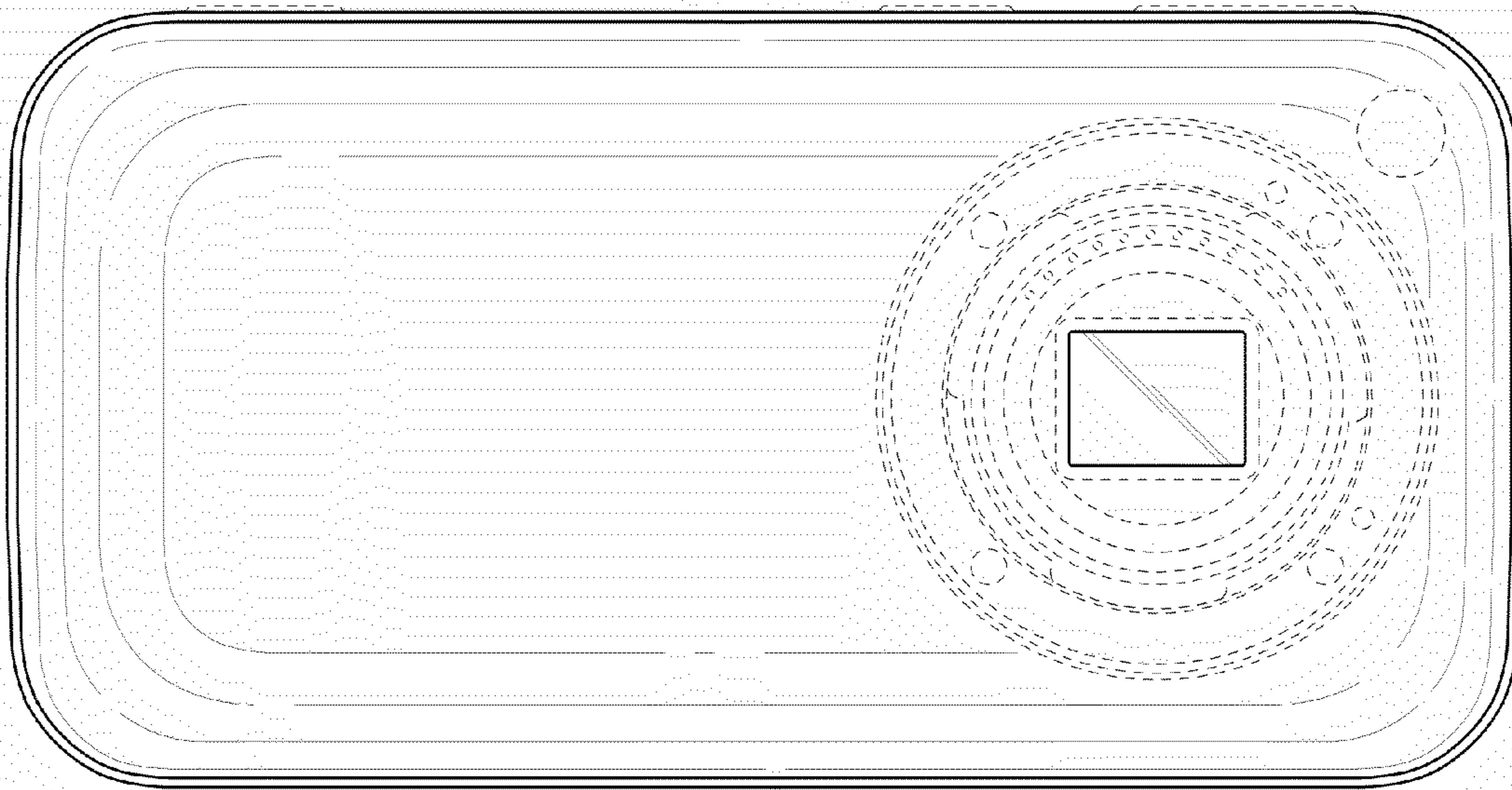


FIG.3

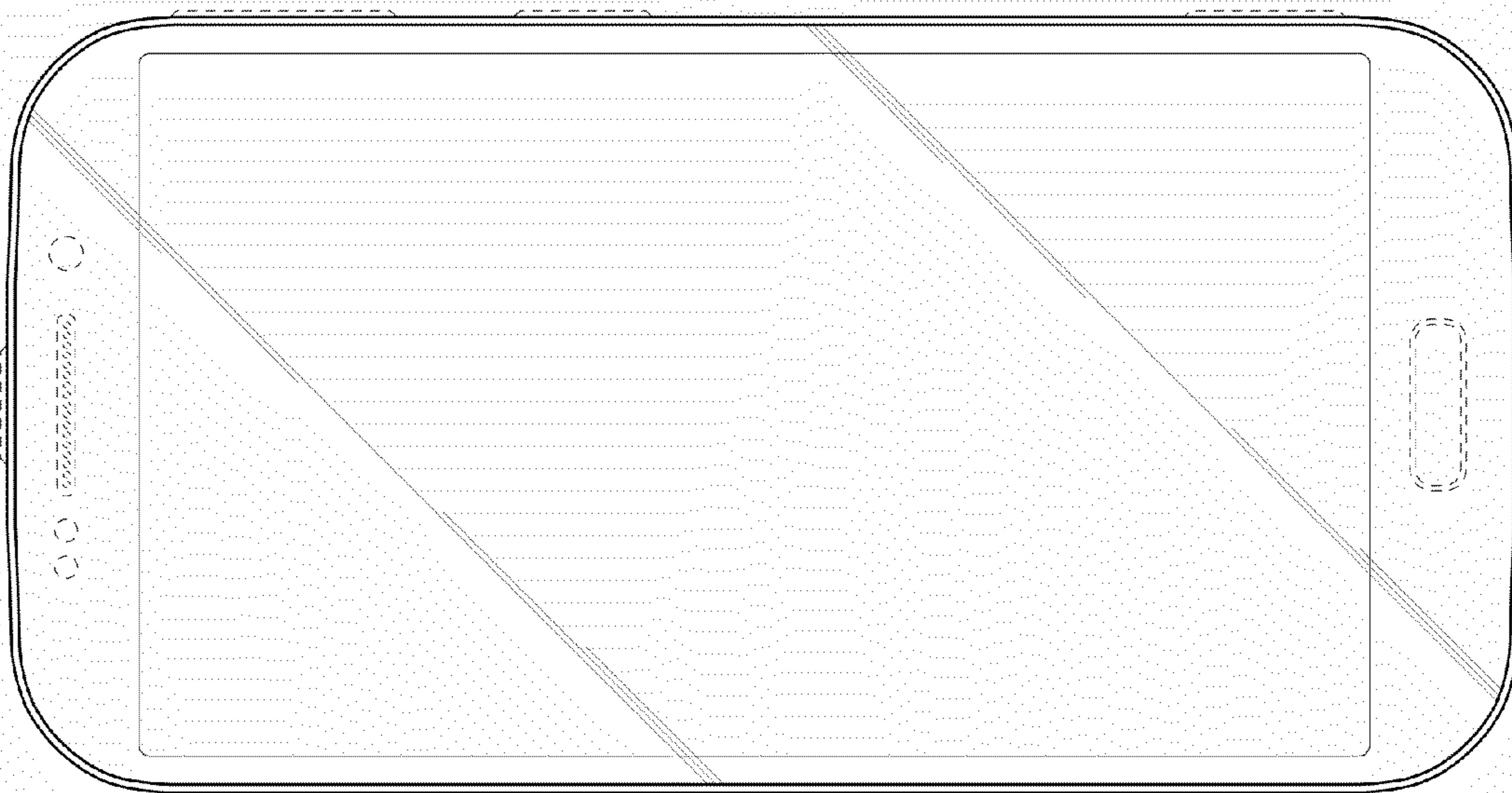


FIG.4



FIG.5

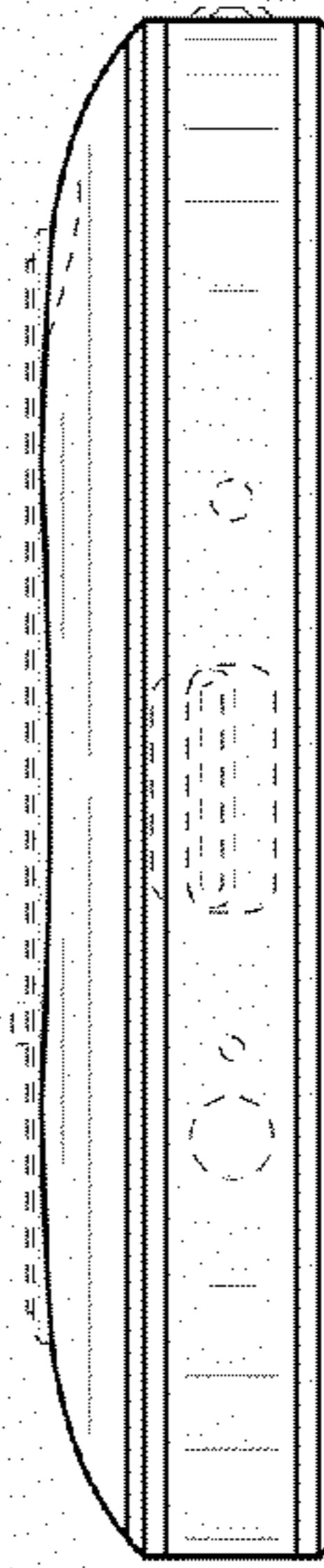


FIG.6

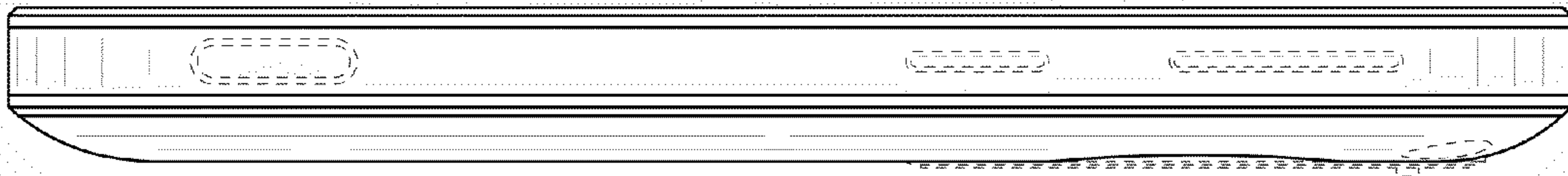


FIG.7

