



US00D747395S

(12) **United States Design Patent**
Soejima

(10) **Patent No.:** **US D747,395 S**
(45) **Date of Patent:** **** Jan. 12, 2016**

(54) **DIGITAL CAMERA**

(71) Applicant: **Nikon Corporation**, Tokyo (JP)

(72) Inventor: **Kenichi Soejima**, Yokohama (JP)

(73) Assignee: **Nikon Corporation**, Tokyo (JP)

(**) Term: **14 Years**

(21) Appl. No.: **29/498,355**

(22) Filed: **Aug. 1, 2014**

(30) **Foreign Application Priority Data**

Feb. 6, 2014 (JP) 2014-002415

(51) **LOC (10) Cl.** **16-05**

(52) **U.S. Cl.**
USPC **D16/219**

(58) **Field of Classification Search**
USPC D16/200, 202–206, 208, 212, 218, 219;
348/373–376; 396/535–541
CPC G03B 15/03; G03B 17/02; G03B 17/04;
G03B 17/56; G03B 19/04; H04N 5/2251;
H04N 5/2252; H04N 5/2253; H04N 5/2254;
H04N 2101/00

See application file for complete search history.

(56) **References Cited**

U.S. PATENT DOCUMENTS

D561,221 S * 2/2008 Ogura et al. D16/212
D561,223 S * 2/2008 Horikiri et al. D16/219
D561,224 S * 2/2008 Horikiri et al. D16/219

D561,226 S * 2/2008 Yoshida D16/219
D561,227 S * 2/2008 Yoshida D16/219
D561,229 S * 2/2008 Sato D16/219
D669,110 S * 10/2012 Noh D16/202
D695,810 S * 12/2013 Soejima D16/219
D700,924 S * 3/2014 Sasaki D16/202
D704,241 S * 5/2014 Muraki et al. D16/219
D723,086 S * 2/2015 Imamizu et al. D16/219
2006/0181639 A1 * 8/2006 Ueda et al. 348/376

* cited by examiner

Primary Examiner — Adir Aronovich

Assistant Examiner — Ramzi Almatrahi

(74) *Attorney, Agent, or Firm* — Wolf, Greenfield & Sacks, P.C.

(57) **CLAIM**

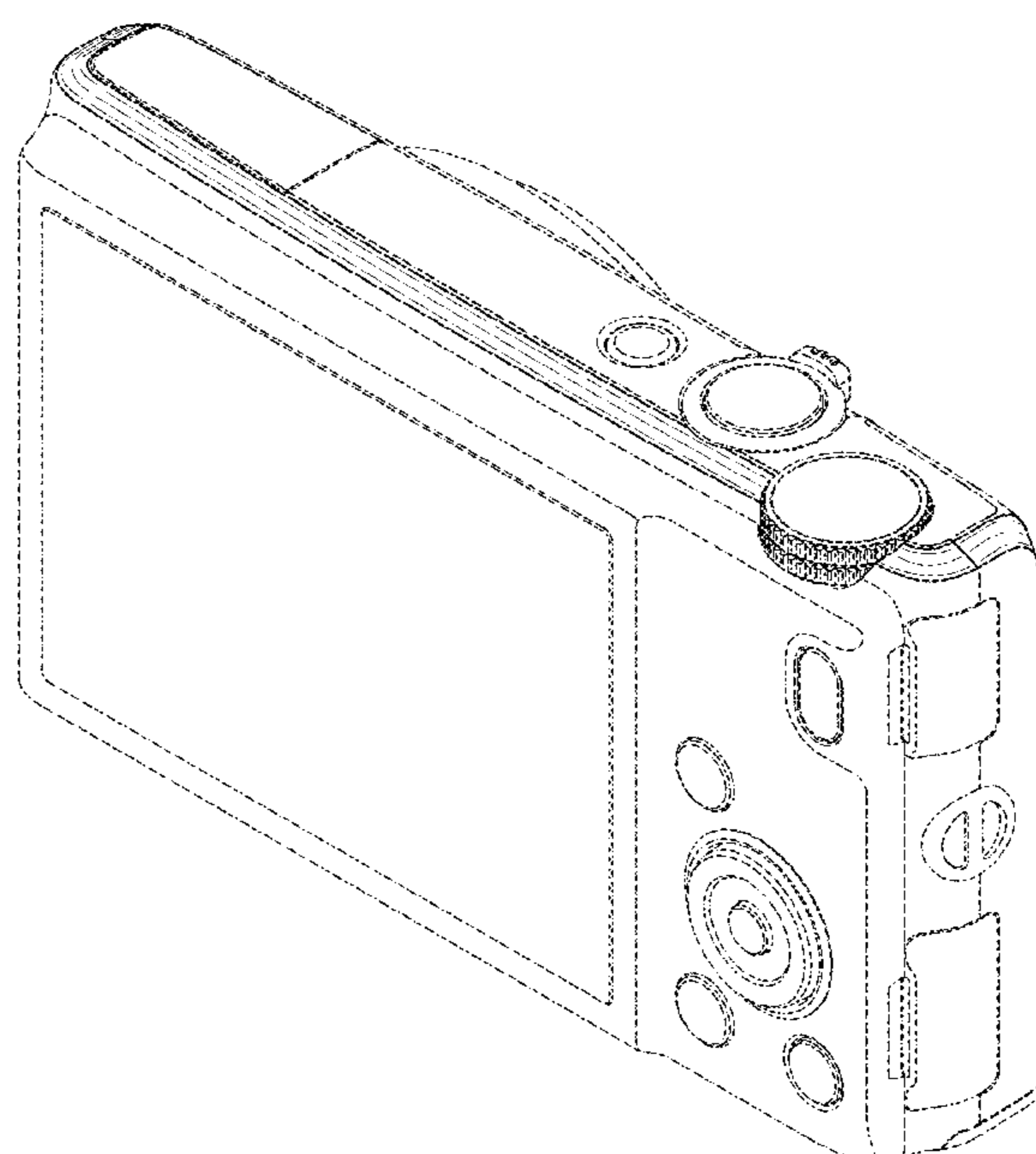
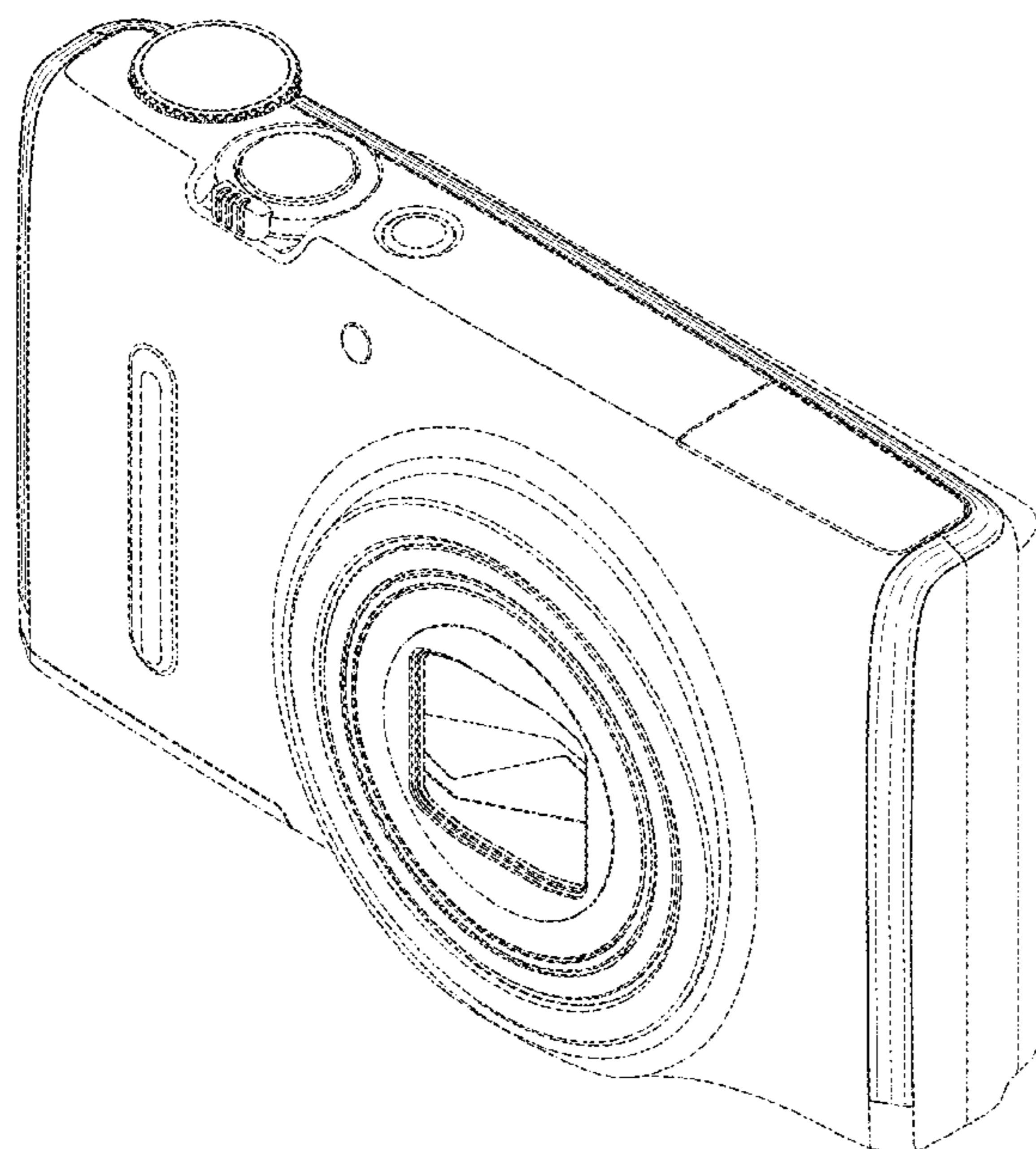
The ornamental design for a digital camera, as shown and described.

DESCRIPTION

FIG. 1 is a front, top and right side perspective view of a digital camera showing my new design;
FIG. 2 is a rear, top and left side perspective view thereof;
FIG. 3 is a front view thereof;
FIG. 4 is a rear view thereof;
FIG. 5 is a top plan view thereof;
FIG. 6 is a bottom plan view thereof;
FIG. 7 is a right side view thereof; and,
FIG. 8 is a left side view thereof.

The broken lines depict portions of a digital camera in which the design is embodied and form no part of the claimed design. Additionally, the dot-dashed lines define the boundary of the claim and form no part of the claimed design.

1 Claim, 8 Drawing Sheets



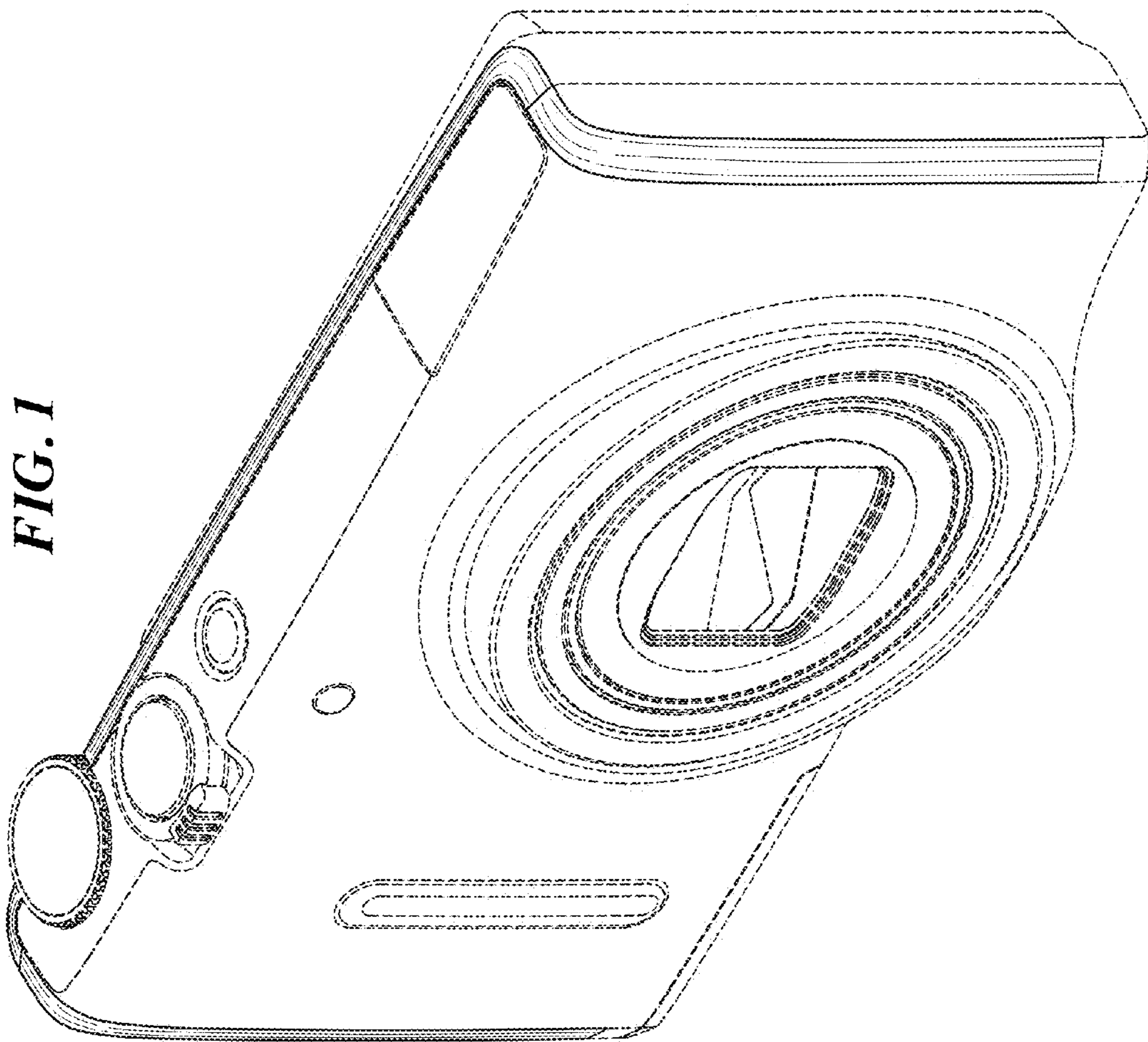


FIG. 1

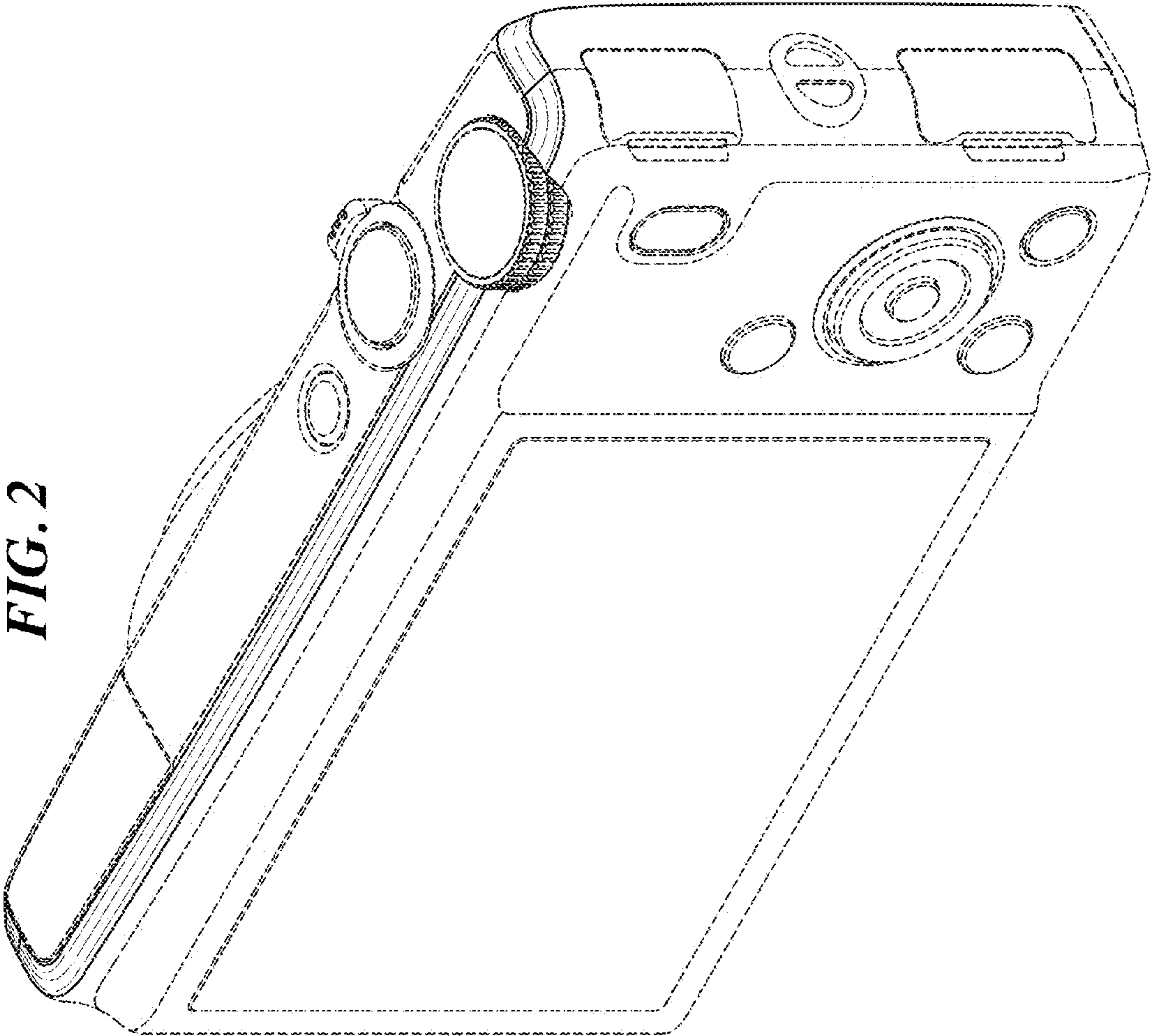


FIG. 2

FIG. 3

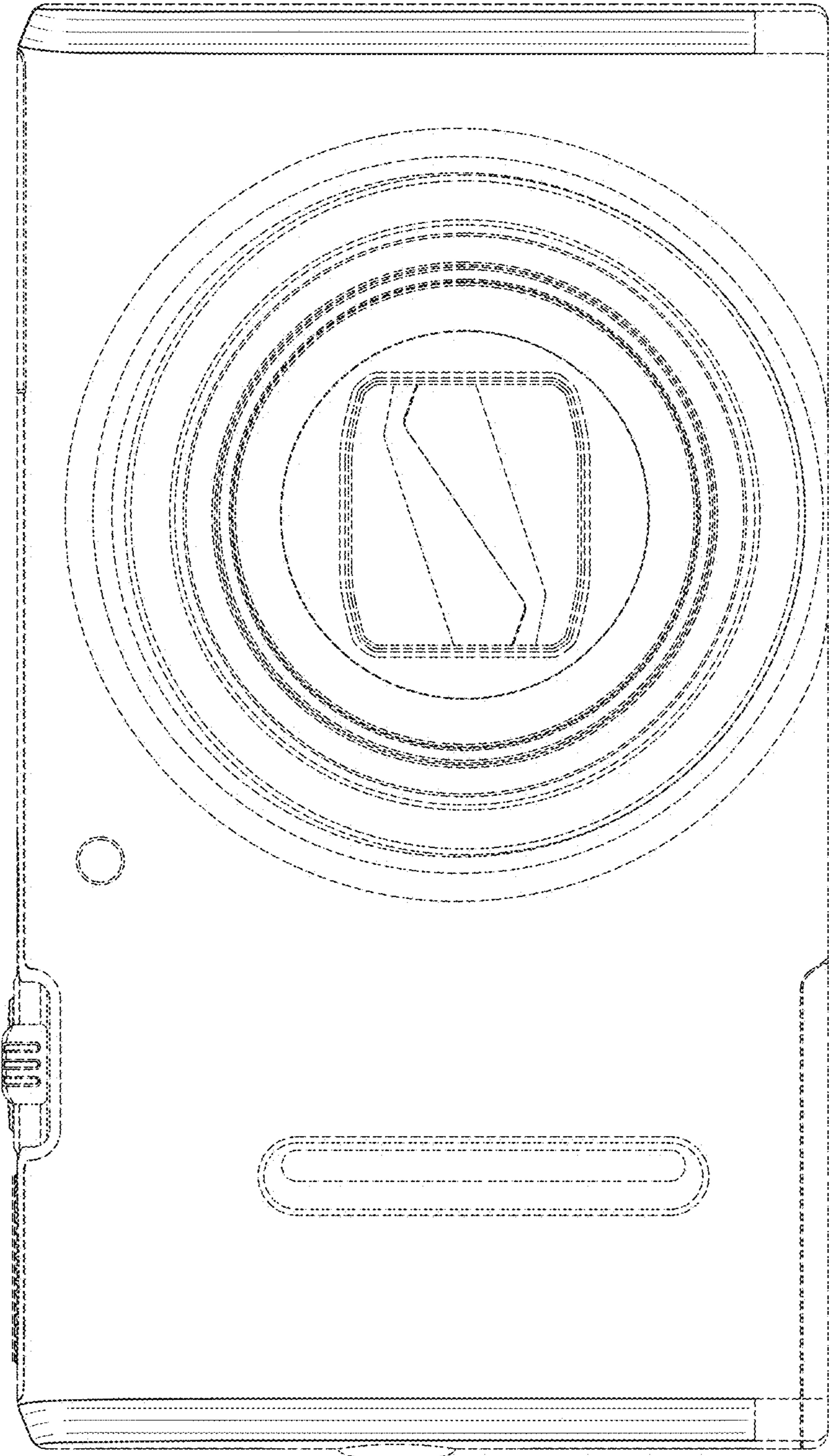


FIG. 4

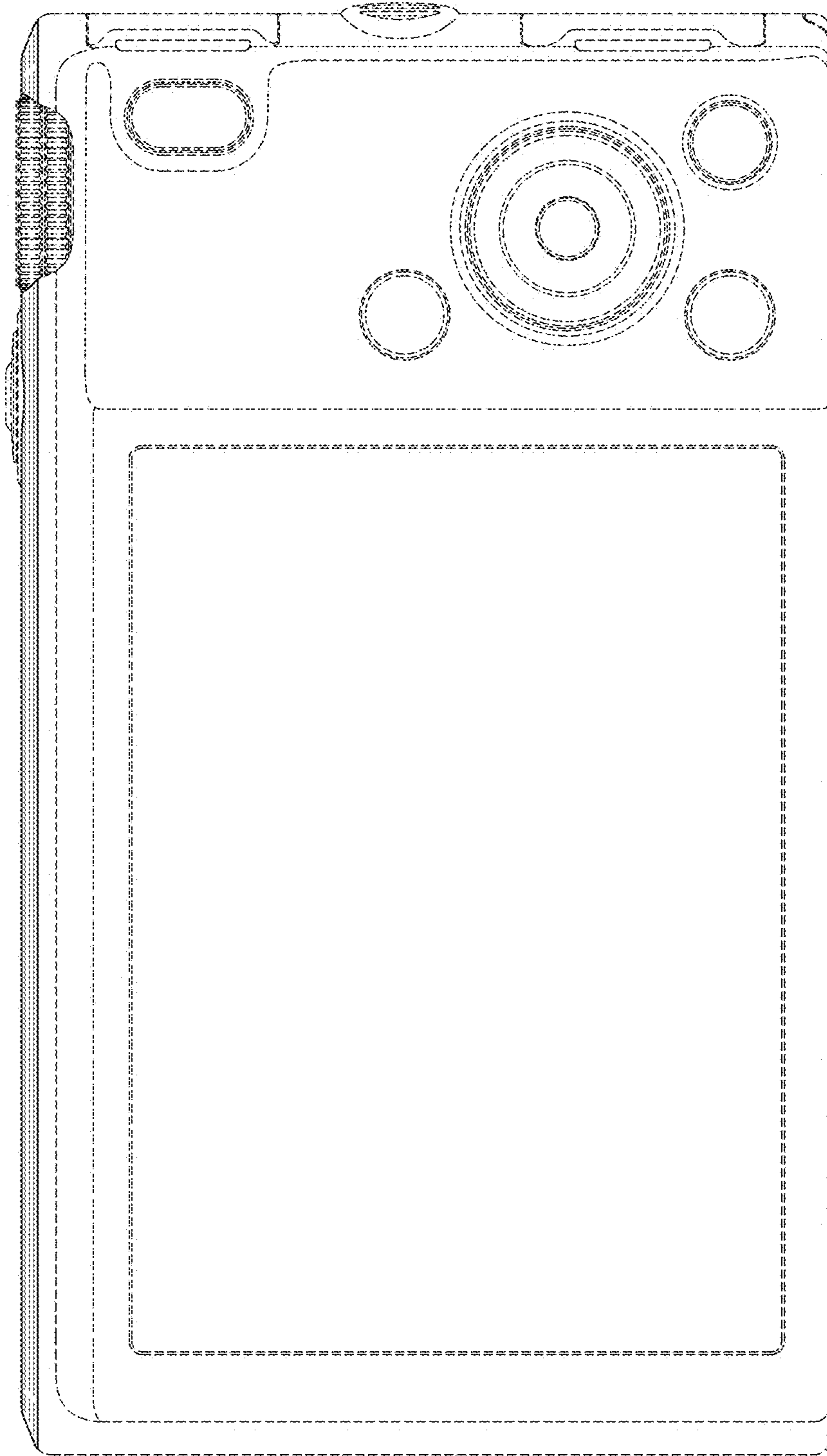


FIG. 5

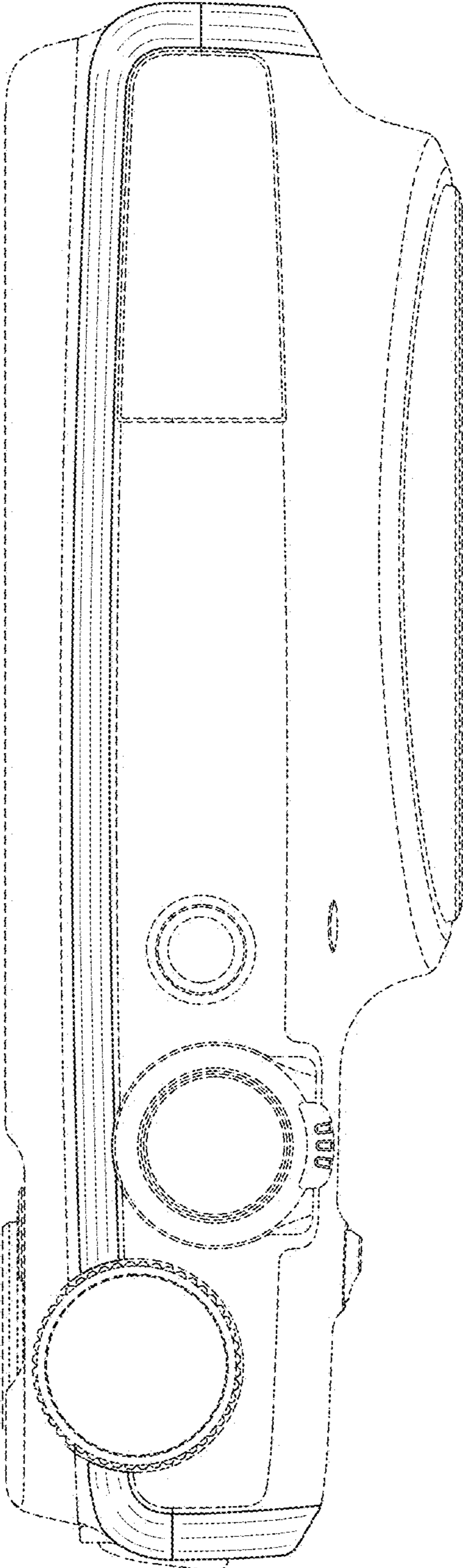


FIG. 6

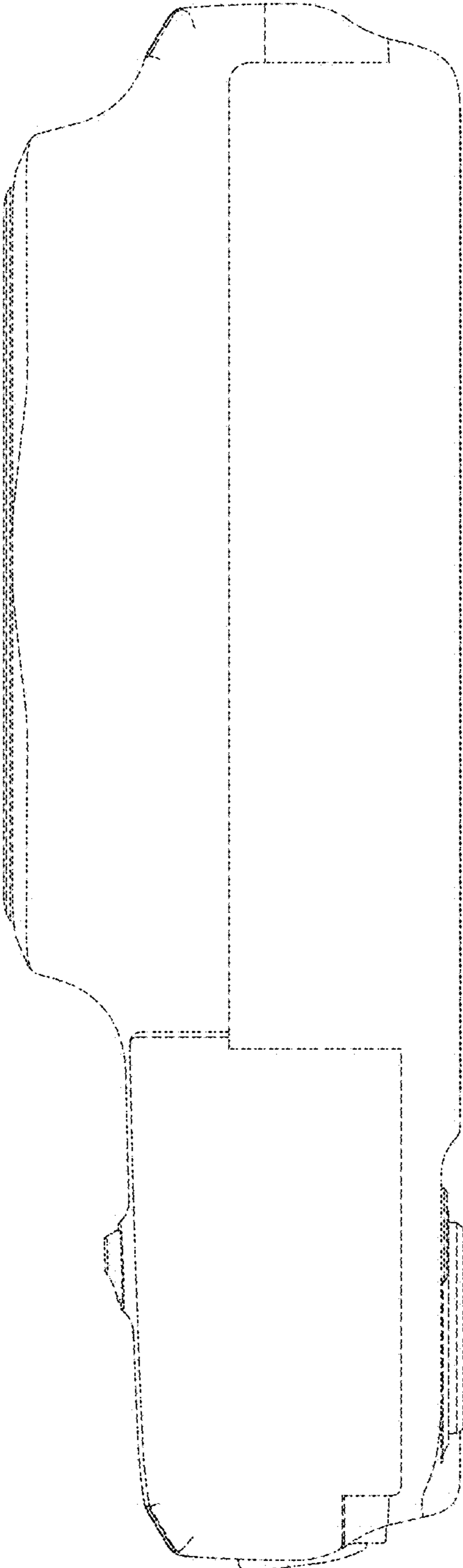


FIG. 7

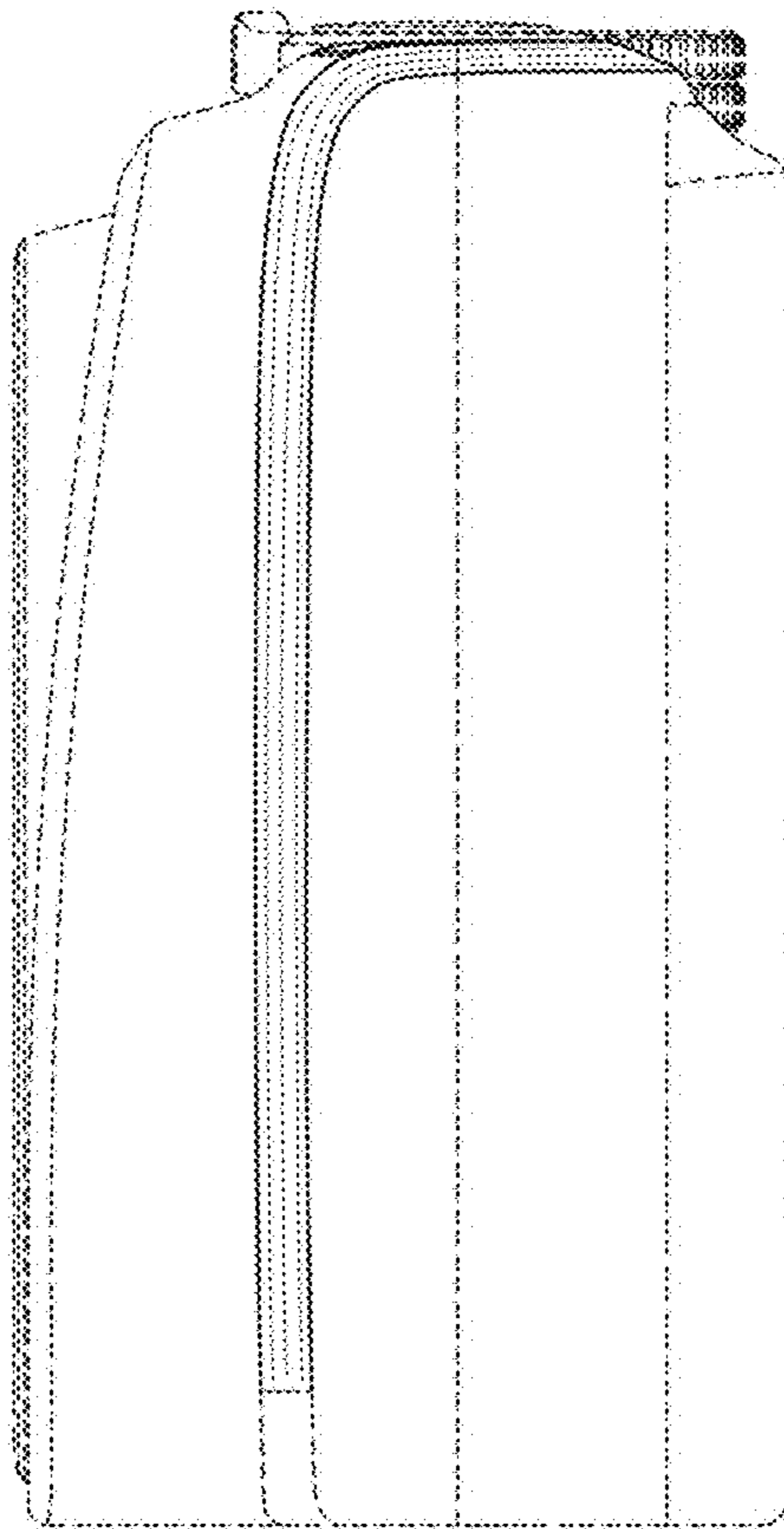


FIG. 8

