



US00D747391S

(12) **United States Design Patent**
Sakai

(10) **Patent No.:** **US D747,391 S**
(45) **Date of Patent:** **** Jan. 12, 2016**

(54) **INSTANT CAMERA**
(71) Applicant: **FUJIFILM Corporation**, Tokyo (JP)
(72) Inventor: **Hiroyuki Sakai**, Tokyo (JP)
(73) Assignee: **FUJIFILM Corporation**, Tokyo (JP)
(**) Term: **14 Years**
(21) Appl. No.: **29/513,589**
(22) Filed: **Jan. 2, 2015**

(30) **Foreign Application Priority Data**
Jul. 1, 2014 (JP) 2014-014552
(51) **LOC (10) Cl.** **16-01**
(52) **U.S. Cl.**
USPC **D16/218**
(58) **Field of Classification Search**
USPC D16/200, 202, 204, 208, 218;
348/373-374; 396/30, 36, 349, 535,
396/540, 541
CPC G03B 17/04; G03B 17/52
See application file for complete search history.

(56) **References Cited**
U.S. PATENT DOCUMENTS
D436,977 S * 1/2001 Senda D16/209
6,173,120 B1 * 1/2001 Takatori G03B 17/32
396/36

6,208,809 B1 * 3/2001 Kanai G03B 17/04
396/349
6,349,173 B1 * 2/2002 Kanai G03B 17/04
396/131
6,356,712 B1 * 3/2002 Motomura G03B 17/50
396/36
D463,472 S * 9/2002 Horikiri D16/218
D479,727 S * 9/2003 Horikiri D16/202
D598,038 S * 8/2009 Takahashi D16/200

* cited by examiner

Primary Examiner — Adir Aronovich
(74) *Attorney, Agent, or Firm* — Young & Thompson

(57) **CLAIM**
The ornamental design for an instant camera, as shown and described.

DESCRIPTION

FIG. 1 is a top, front and left side perspective view of an instant camera showing my new design;
FIG. 2 is a top, rear and right side perspective view thereof;
FIG. 3 is a front elevational view thereof;
FIG. 4 is a rear elevational view thereof;
FIG. 5 is a top plan view thereof;
FIG. 6 is a bottom plan view thereof;
FIG. 7 is a left side elevational view thereof;
FIG. 8 is a right side elevational view thereof; and,
FIG. 9 is a top, front and left side perspective view thereof with a lens barrel protruded.

1 Claim, 9 Drawing Sheets

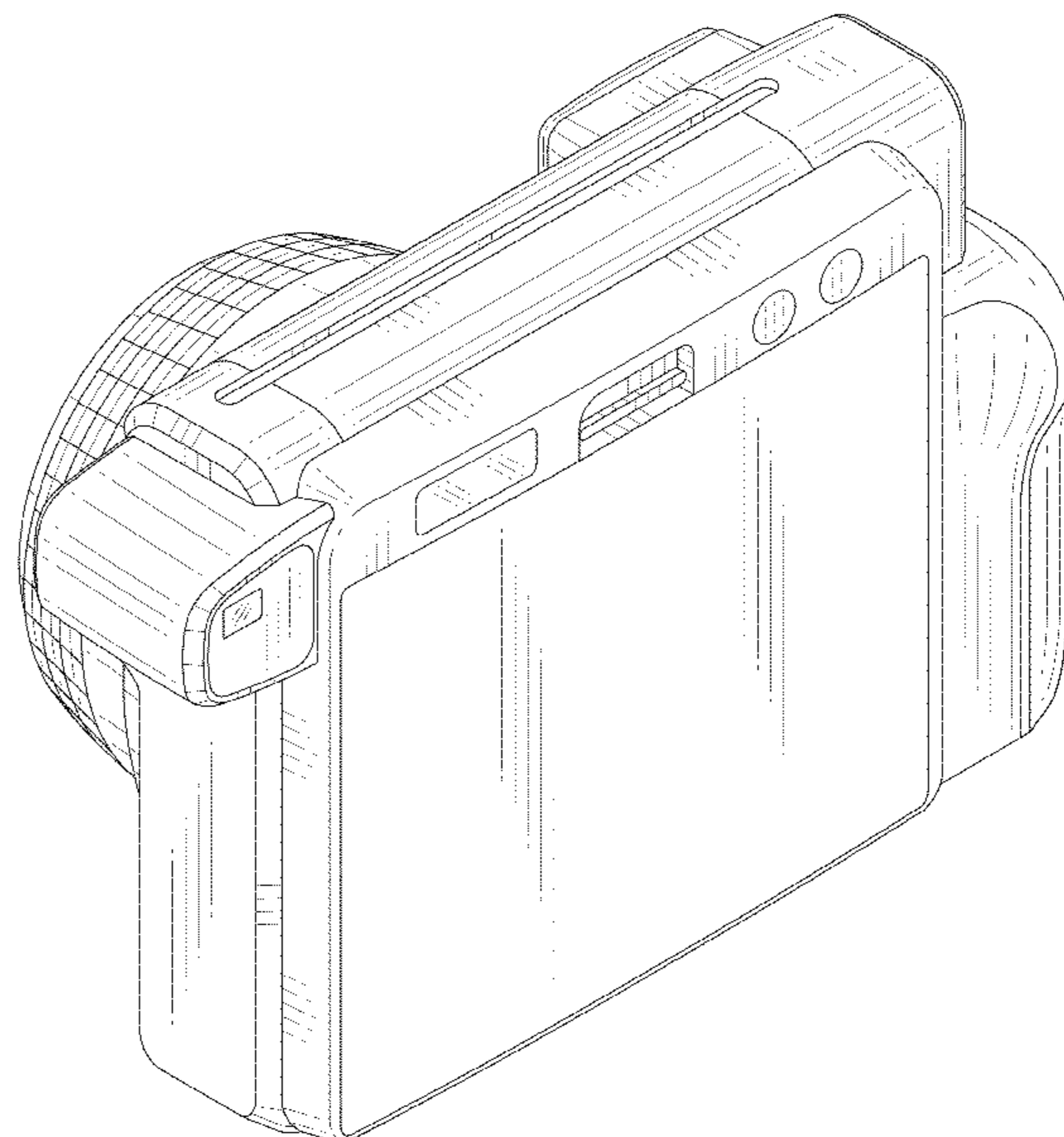
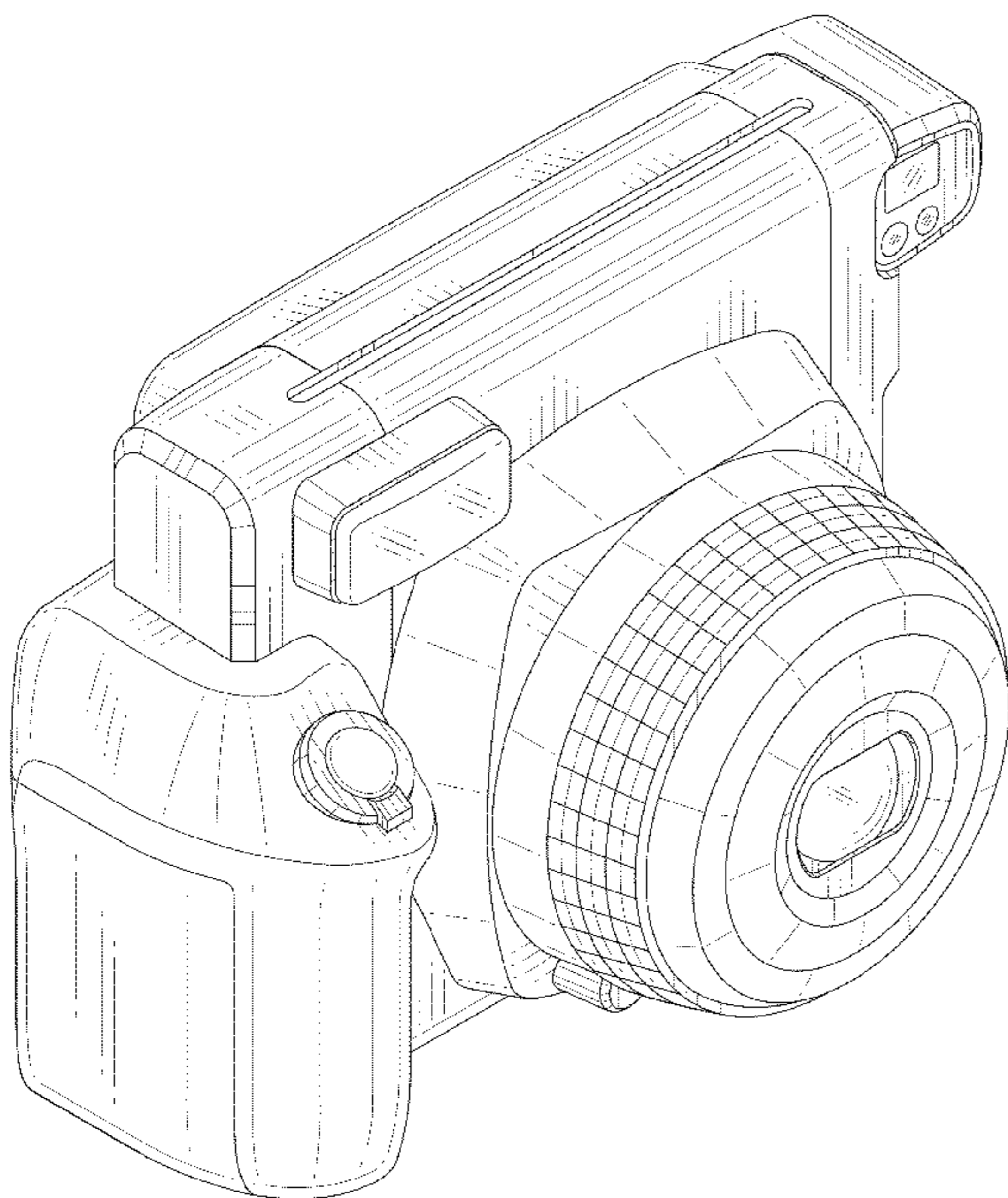


FIG. 1

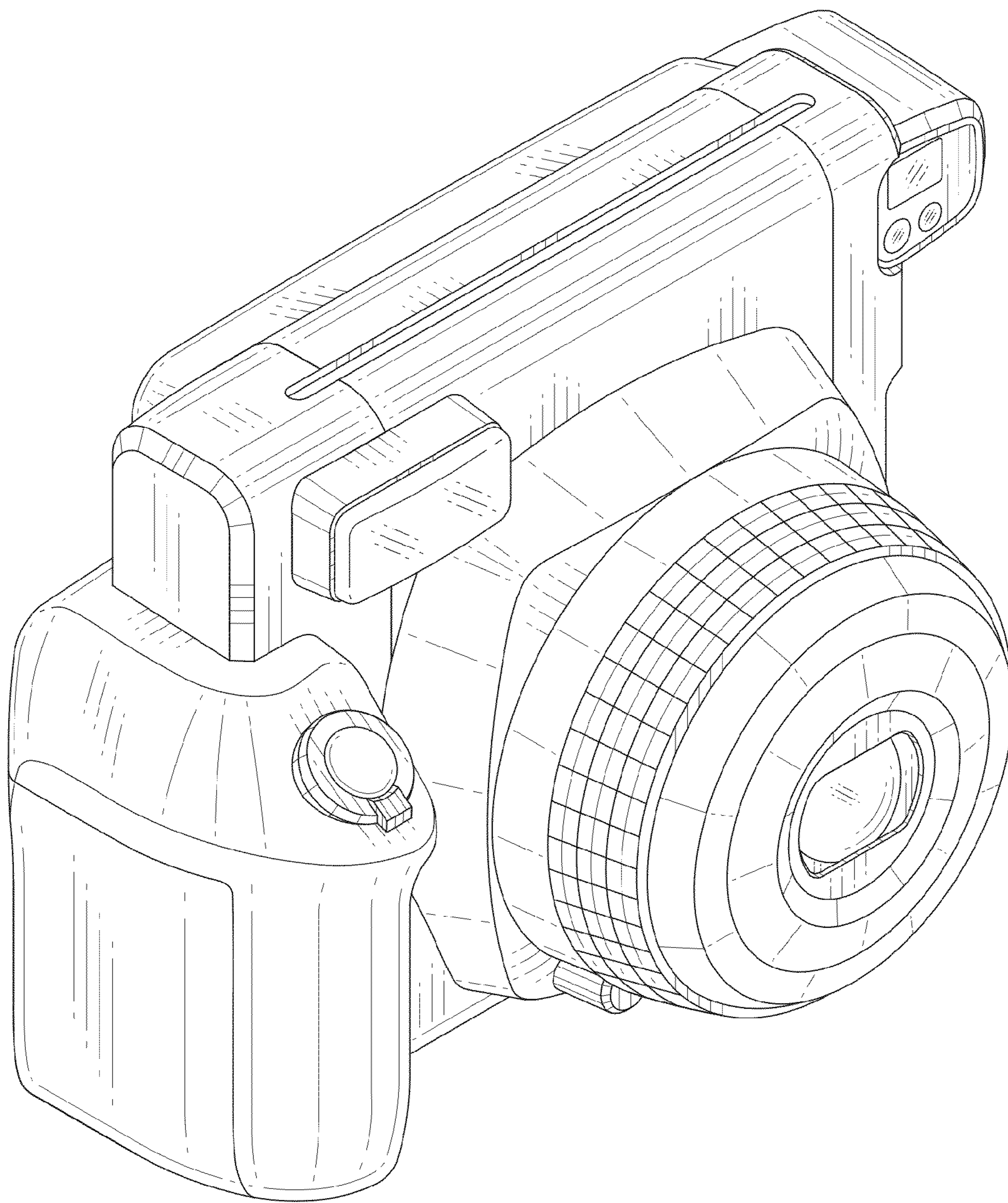


FIG. 2

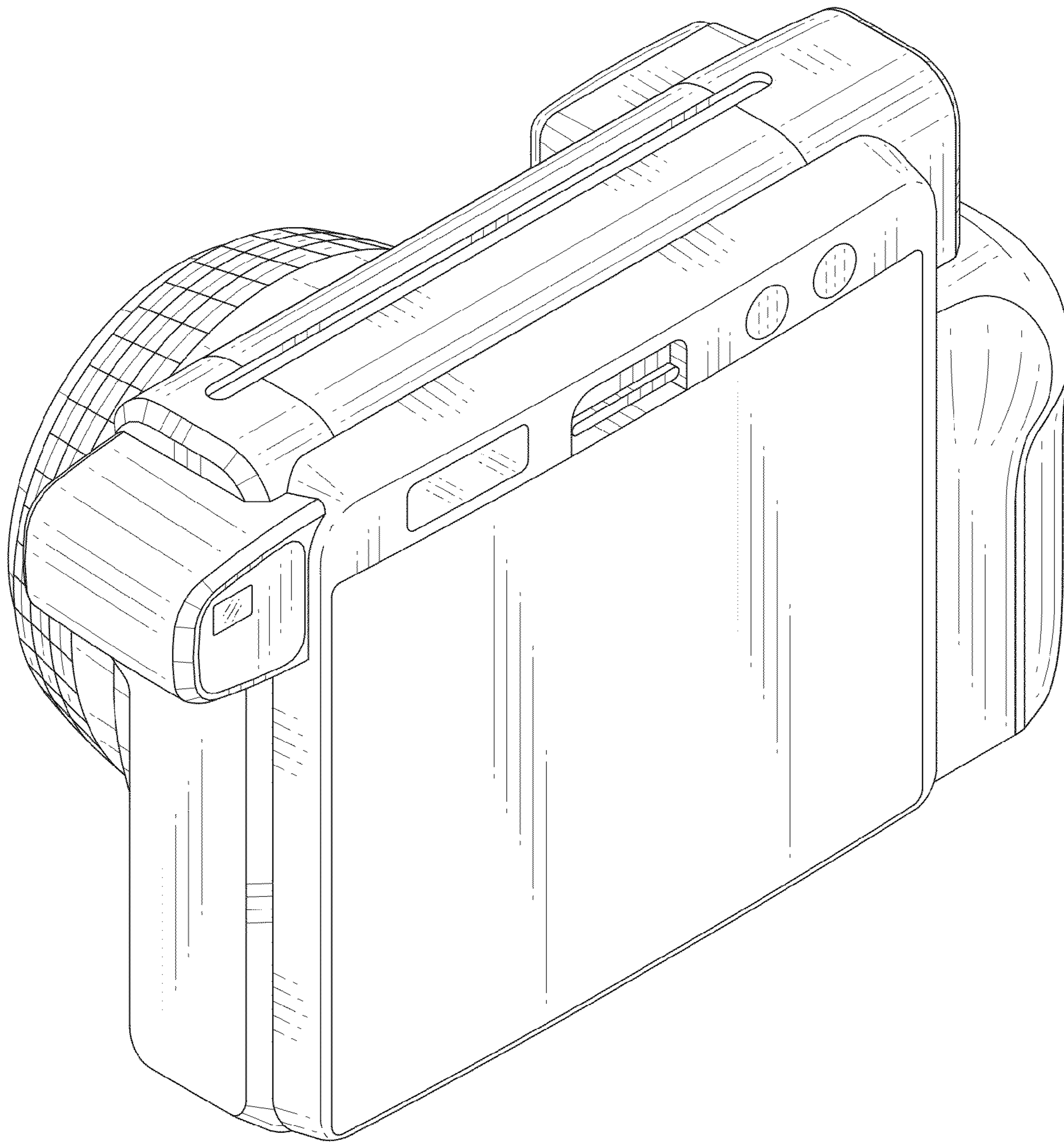


FIG. 3

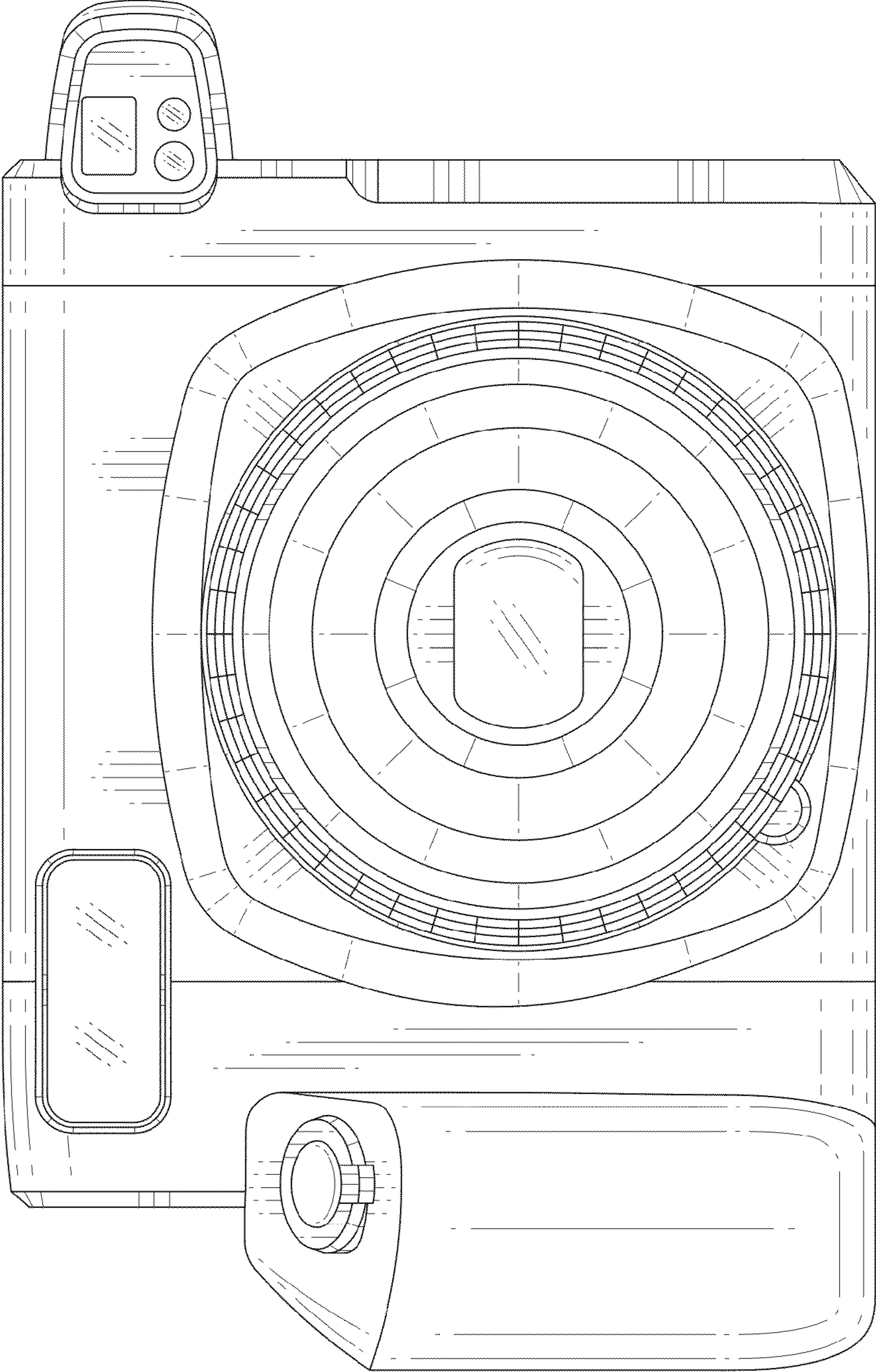


FIG. 4

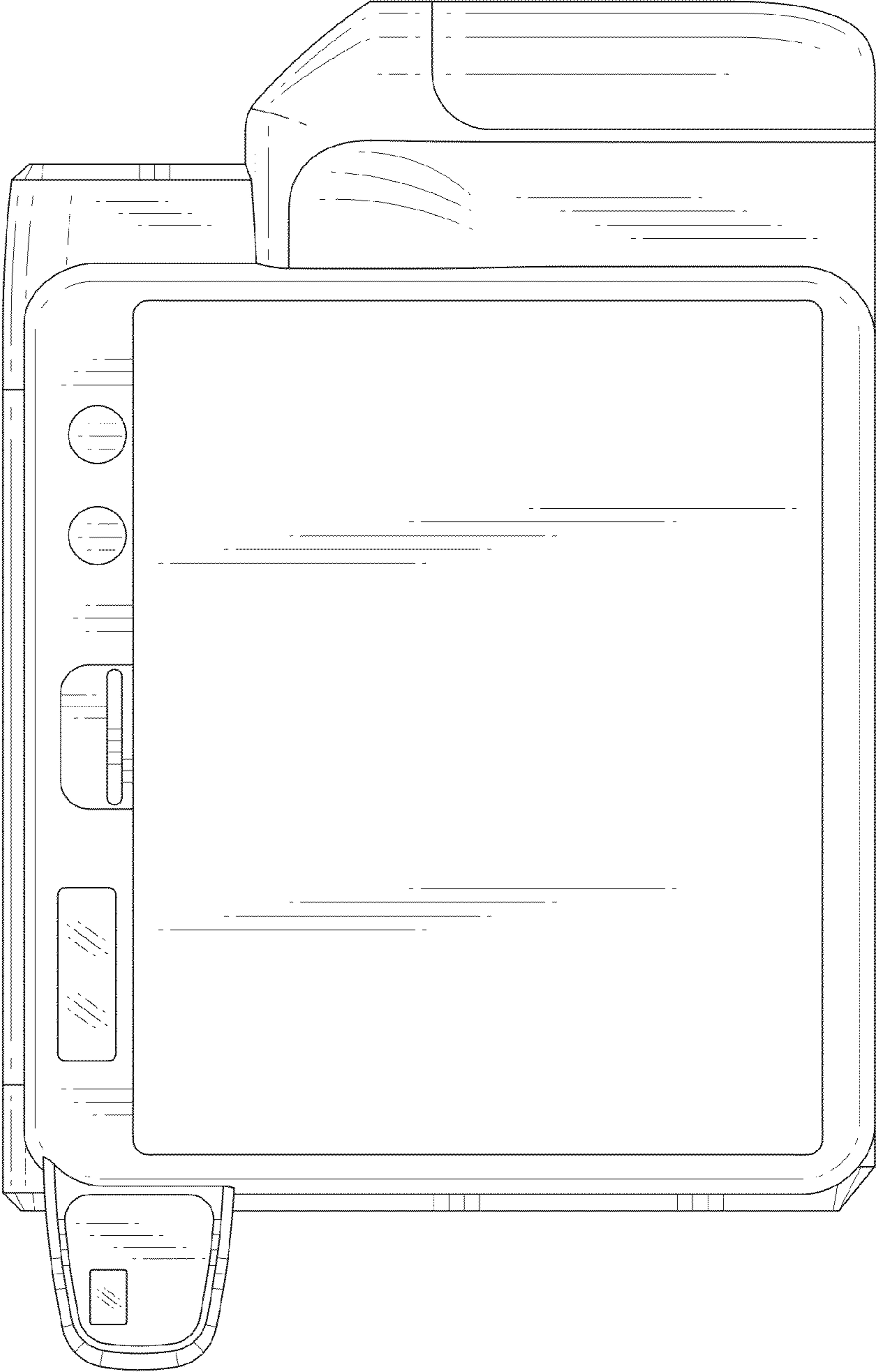


FIG. 5

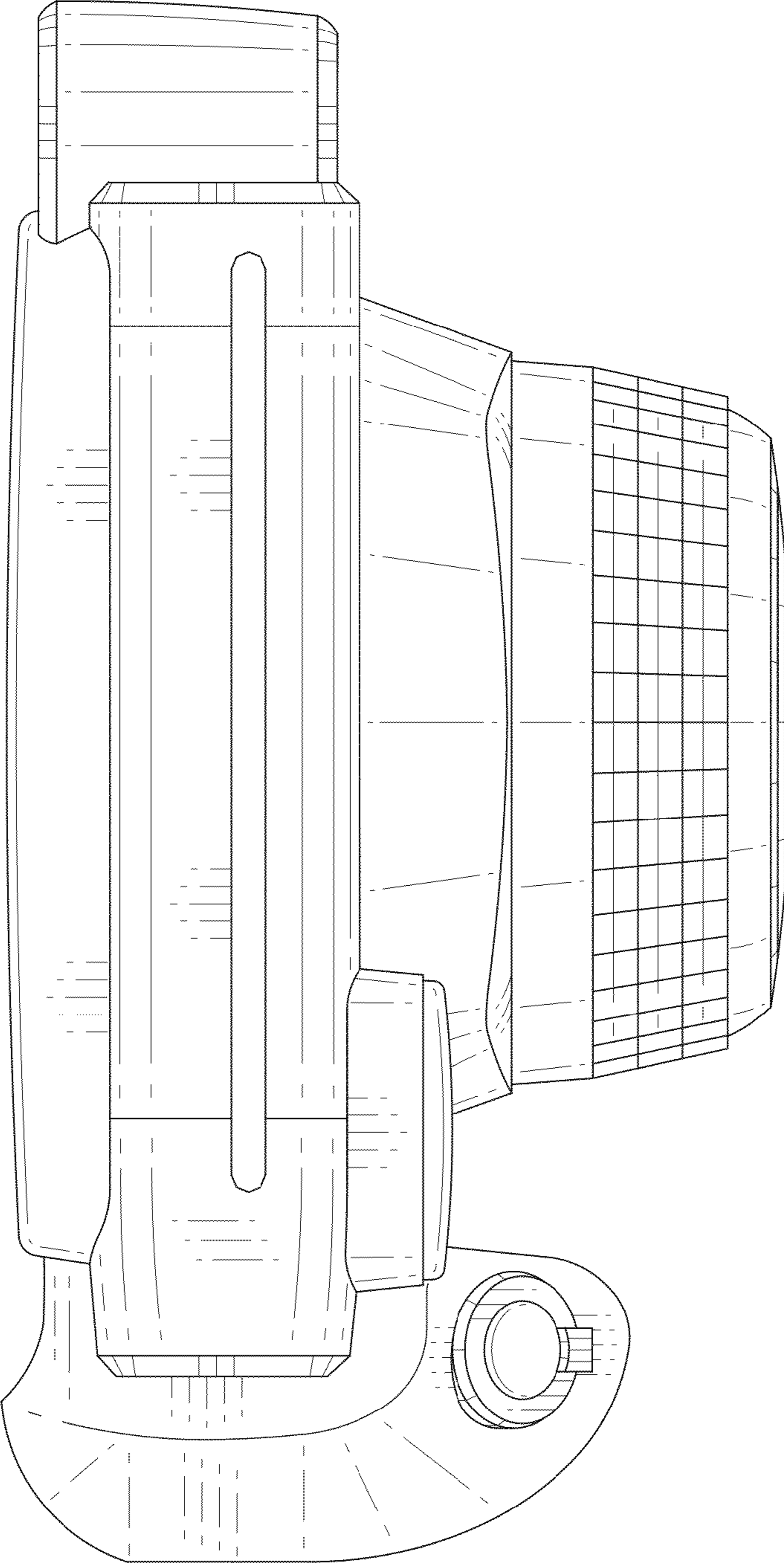


FIG. 6

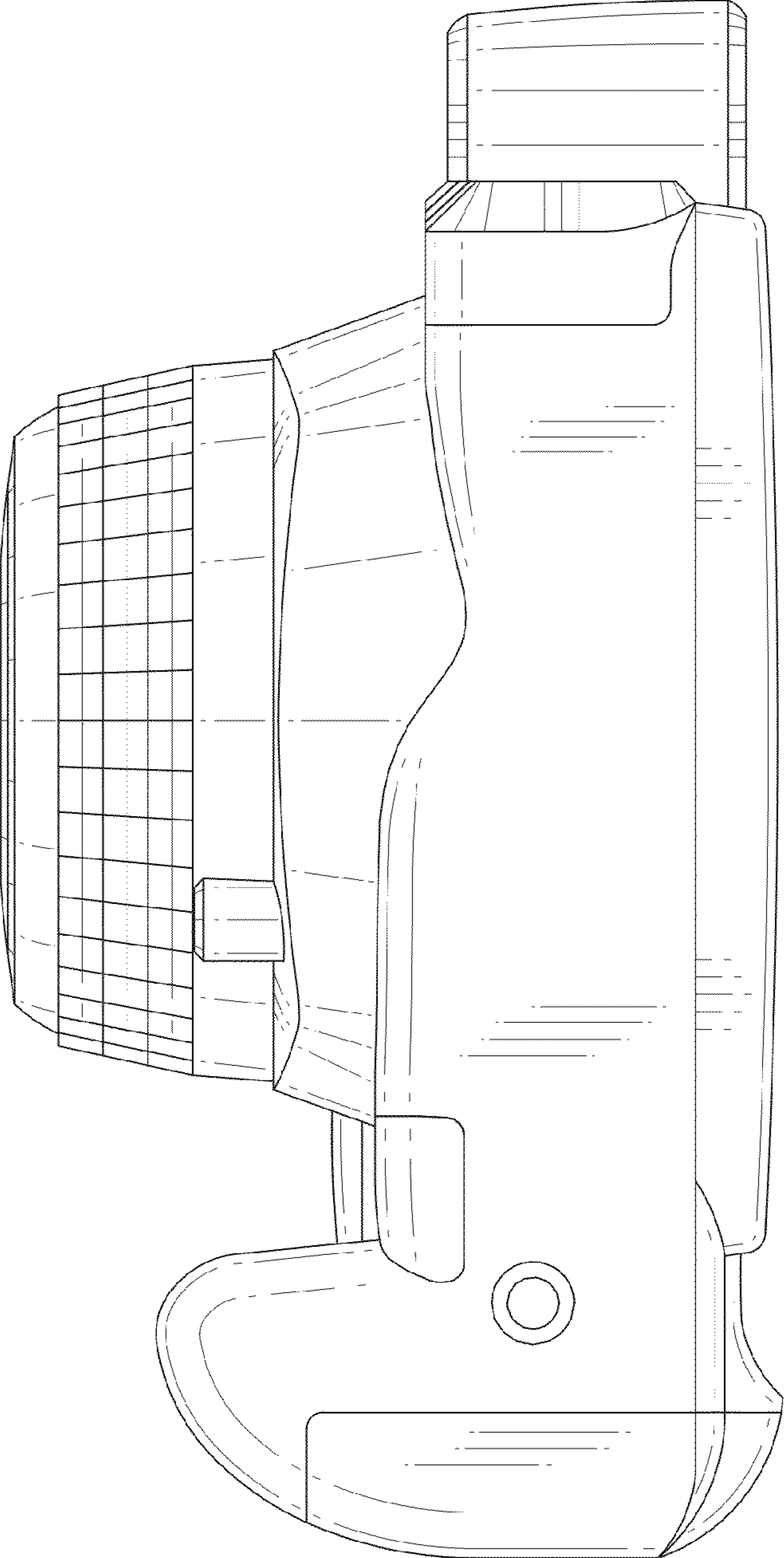


FIG. 7

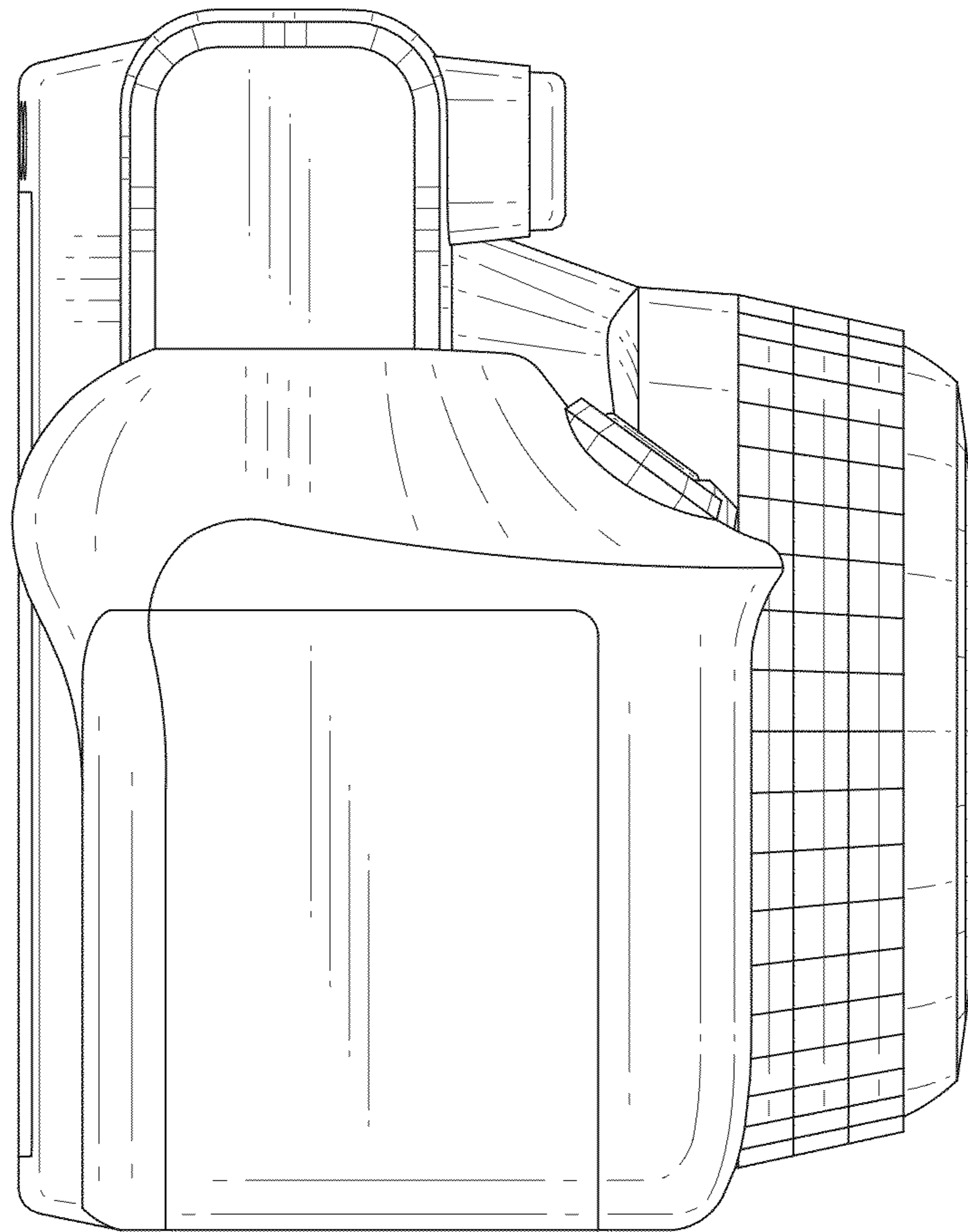


FIG. 8

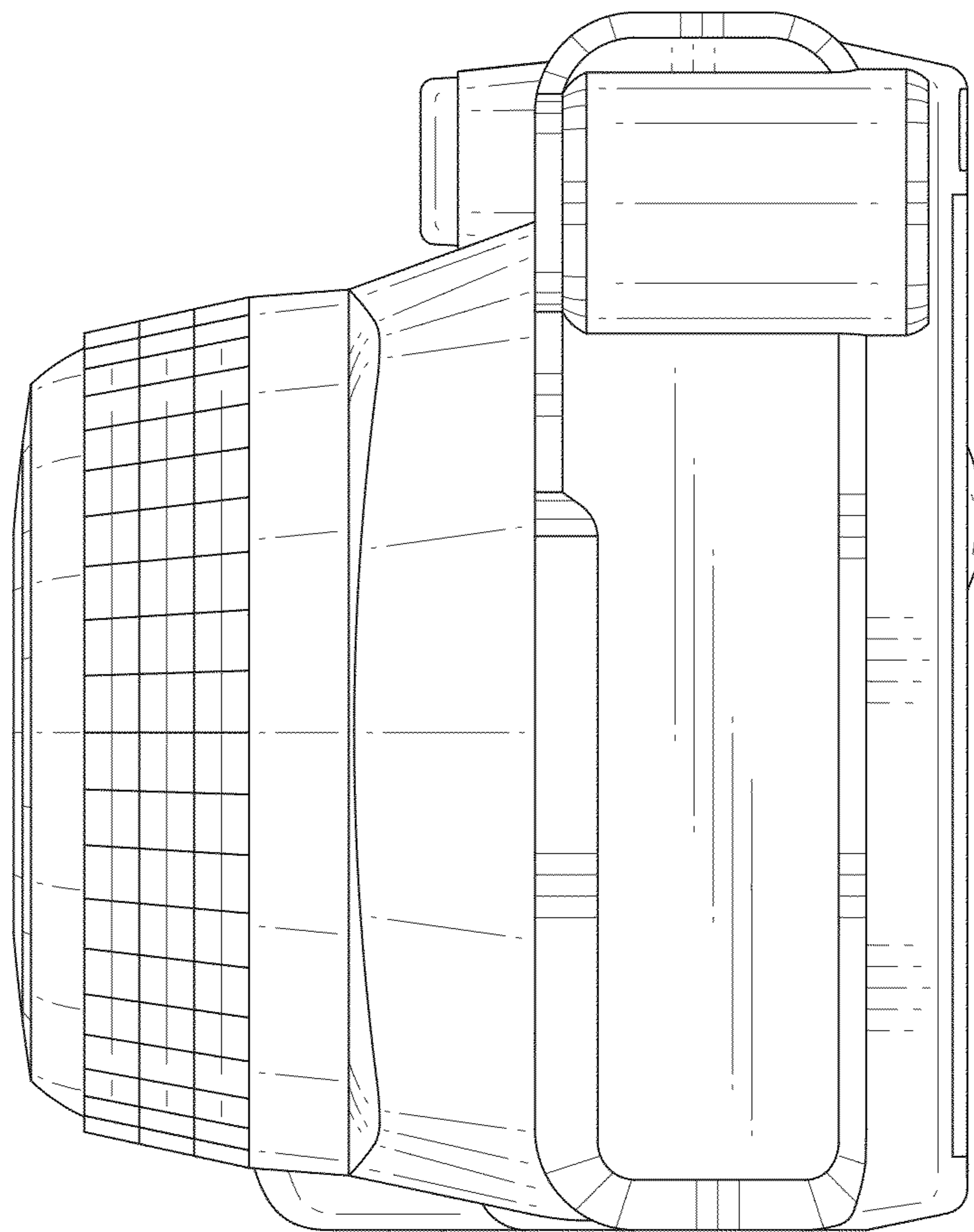


FIG. 9

