



US00D747389S

(12) **United States Design Patent**  
**Isaac-Lowry**

(10) **Patent No.:** **US D747,389 S**  
(45) **Date of Patent:** **\*\* Jan. 12, 2016**

(54) **MINIATURE DIGITAL VIDEO RECORDER  
AND HARNESS**

(71) Applicant: **Oran Jacob Isaac-Lowry**, Lexington,  
KY (US)

(72) Inventor: **Oran Jacob Isaac-Lowry**, Lexington,  
KY (US)

(73) Assignee: **JIL Holdings, LLC**, Honolulu, HI (US)

(\*\*) Term: **14 Years**

(21) Appl. No.: **29/484,723**

(22) Filed: **Mar. 12, 2014**

(51) **LOC (10) Cl.** ..... **16-01**

(52) **U.S. Cl.**  
USPC ..... **D16/218**

(58) **Field of Classification Search**  
USPC ..... D16/200–204, 208, 217–219; 348/143,  
348/148, 151, 207.99, 373–376; 396/419,  
396/427, 428, 537–541  
CPC ..... G03B 15/03; G03B 17/02; G03B 17/04;  
G03B 17/48; G03B 17/56; G03B 19/04;  
G08G 1/0175; H04N 5/2251; H04N 5/2252;  
H04N 5/2253; H04N 5/2254; H04N 2101/00  
See application file for complete search history.

(56) **References Cited**

**U.S. PATENT DOCUMENTS**

D312,649 S *	12/1990	Sakuta	.....	D16/203
D387,789 S *	12/1997	Sumida et al.	.....	D16/202
D472,913 S *	4/2003	Rupe	.....	D16/202
D489,388 S *	5/2004	Saito et al.	.....	D16/218
D496,062 S *	9/2004	Yamakami et al.	.....	D16/218
D496,382 S *	9/2004	Yamakami et al.	.....	D16/218
D564,562 S *	3/2008	Honma et al.	.....	D16/218
D586,376 S *	2/2009	Kurfiss et al.	.....	D16/218

D671,584 S *	11/2012	Ohno	.....	D16/202
D696,707 S *	12/2013	Guastadini et al.	.....	D16/202
D699,775 S *	2/2014	Li	.....	D16/217
D699,777 S *	2/2014	Li	.....	D16/217
2003/0035052 A1 *	2/2003	Baron	.....	348/207.99

\* cited by examiner

*Primary Examiner* — Susan E Krakower

*Assistant Examiner* — Ramzi Almatrahi

(74) *Attorney, Agent, or Firm* — James M. Francis

(57) **CLAIM**

I claim the ornamental design for a miniature digital video recorder and harness, as shown and described.

**DESCRIPTION**

FIG. 1 is a perspective view of a miniature digital video recorder and harness.

FIG. 2 is a front elevation view of a miniature digital video recorder and harness.

FIG. 3 is a rear elevation view of a miniature digital video recorder and harness.

FIG. 4 is a left side elevation view of a miniature digital video recorder and harness.

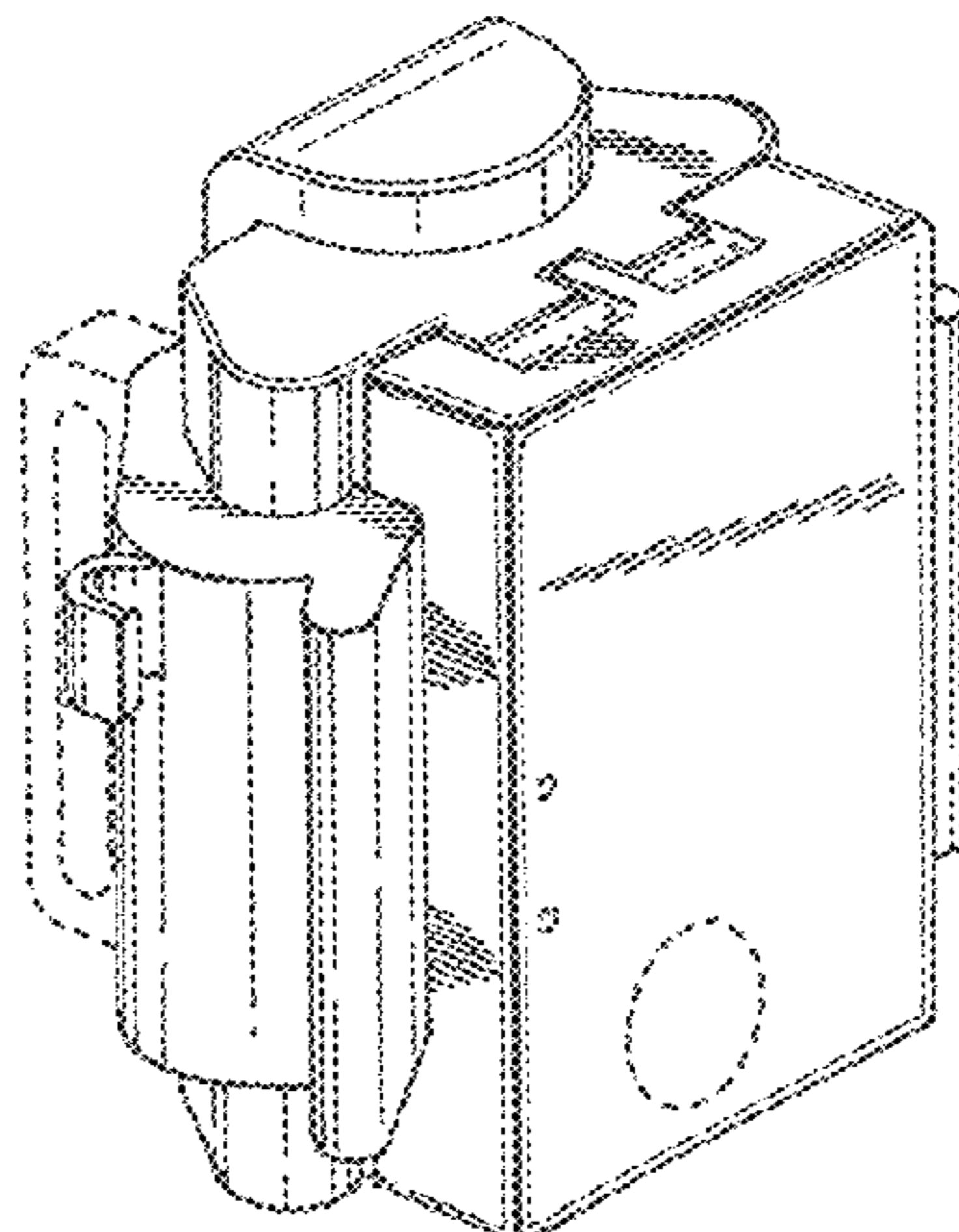
FIG. 5 is a right side elevation view of a miniature digital video recorder and harness.

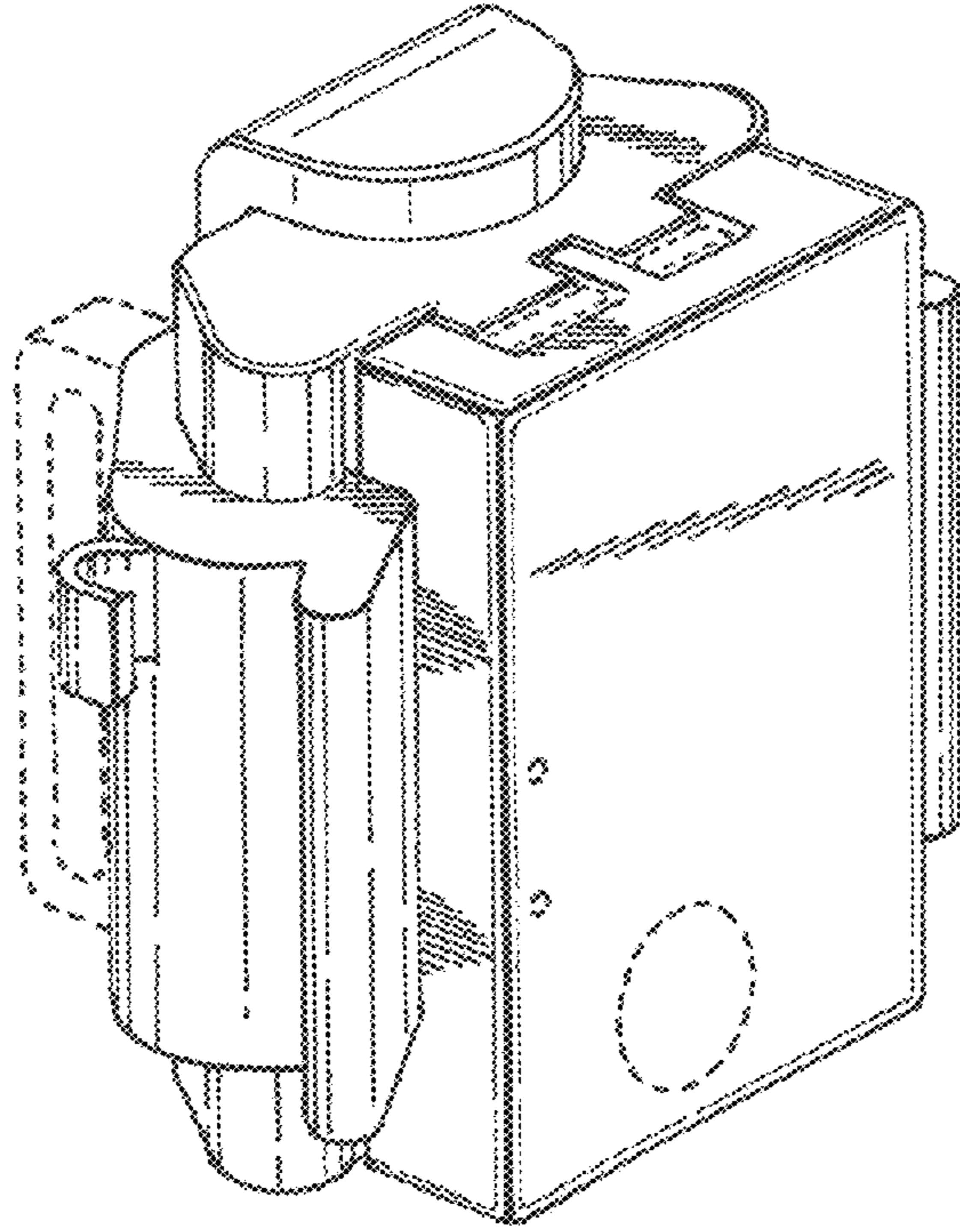
FIG. 6 is a top plan view of a miniature digital video recorder and harness; and,

FIG. 7 is a bottom plan view of a miniature digital video recorder and harness.

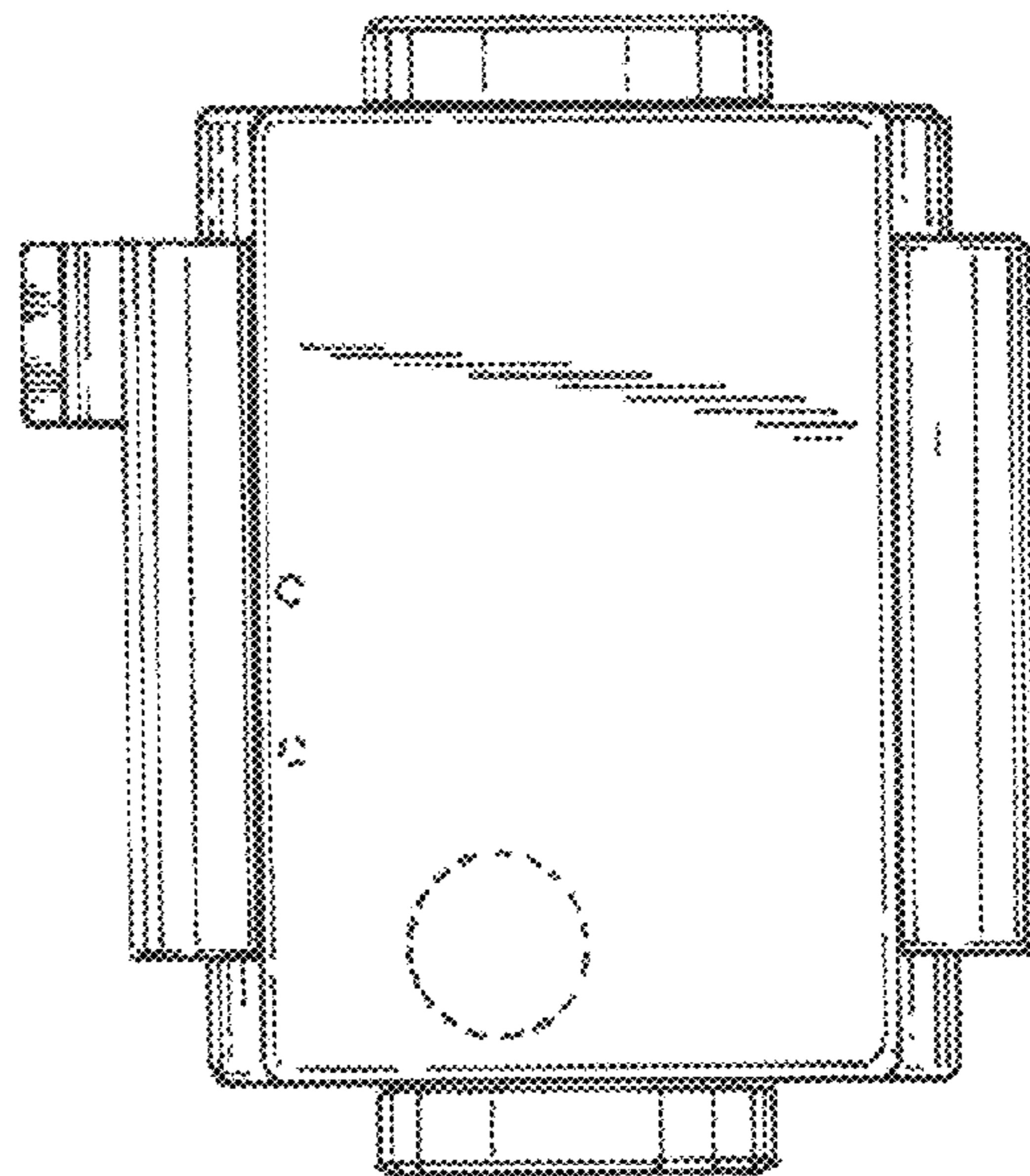
The broken lines in the drawings are included for the purpose of illustrating environmental subject matter and form no part of the claimed design. Additionally, the dash-dot-dot lines denote the boundary of the claim and form no part of the claimed design.

**1 Claim, 3 Drawing Sheets**

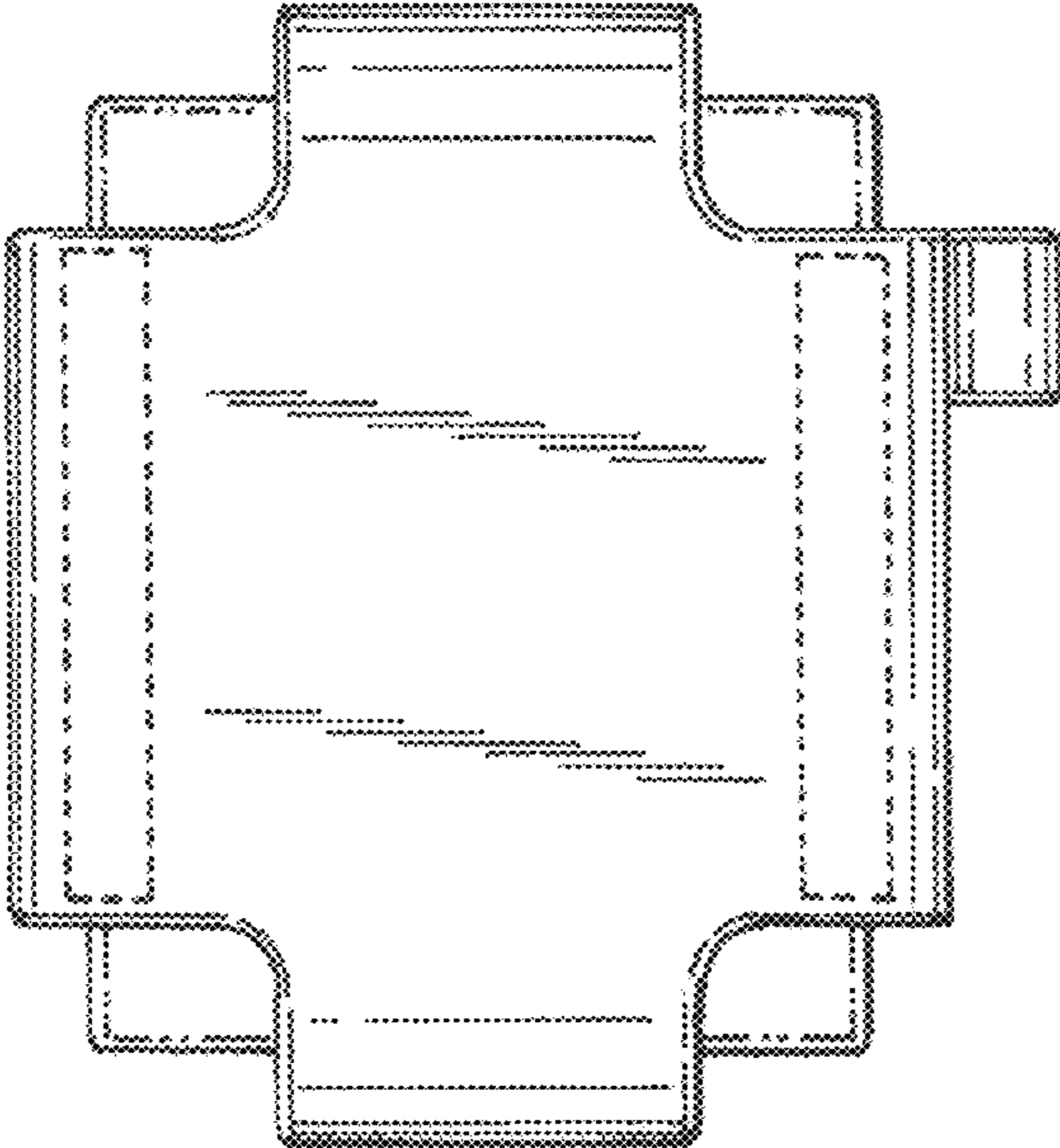




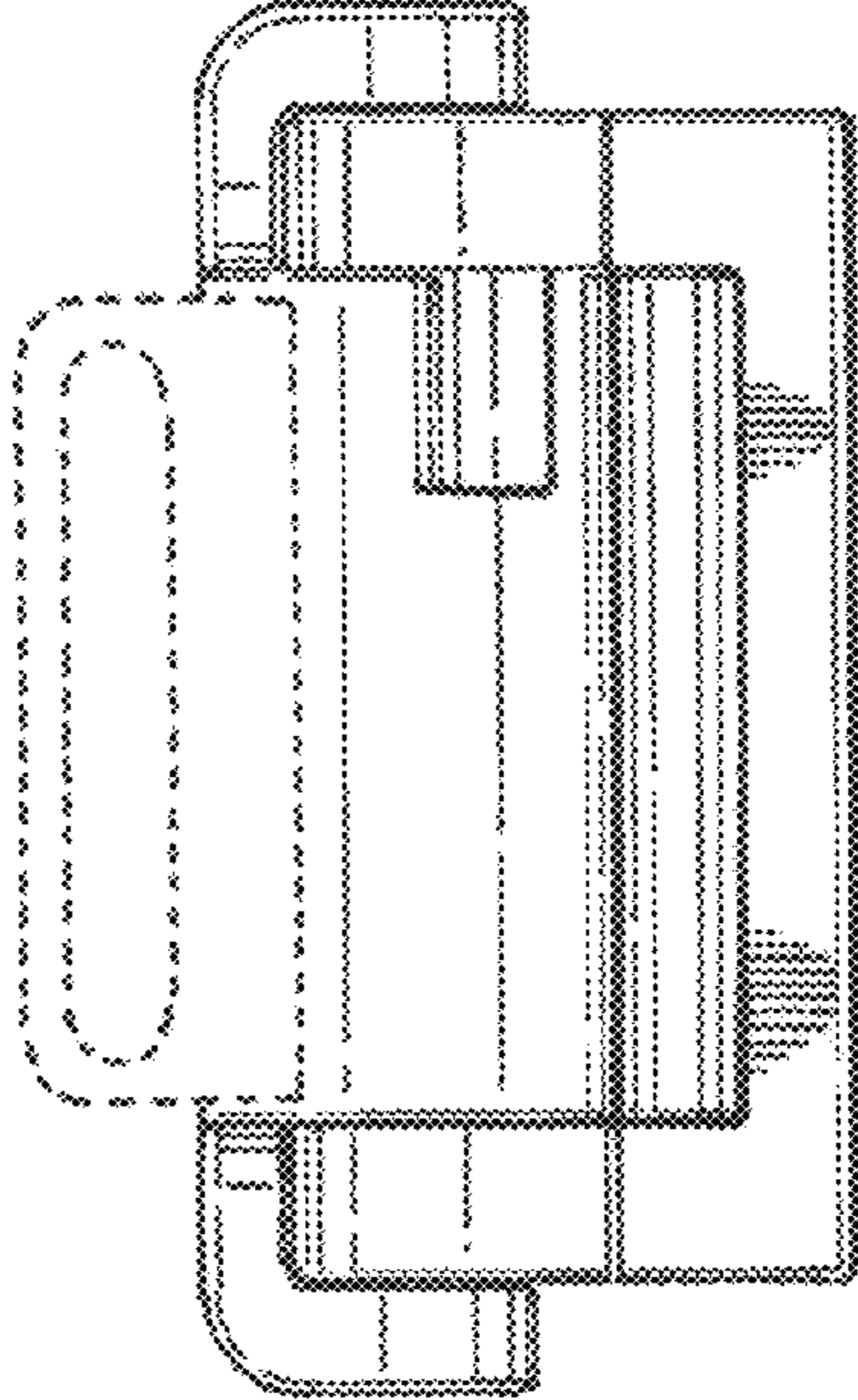
**Fig. 1**



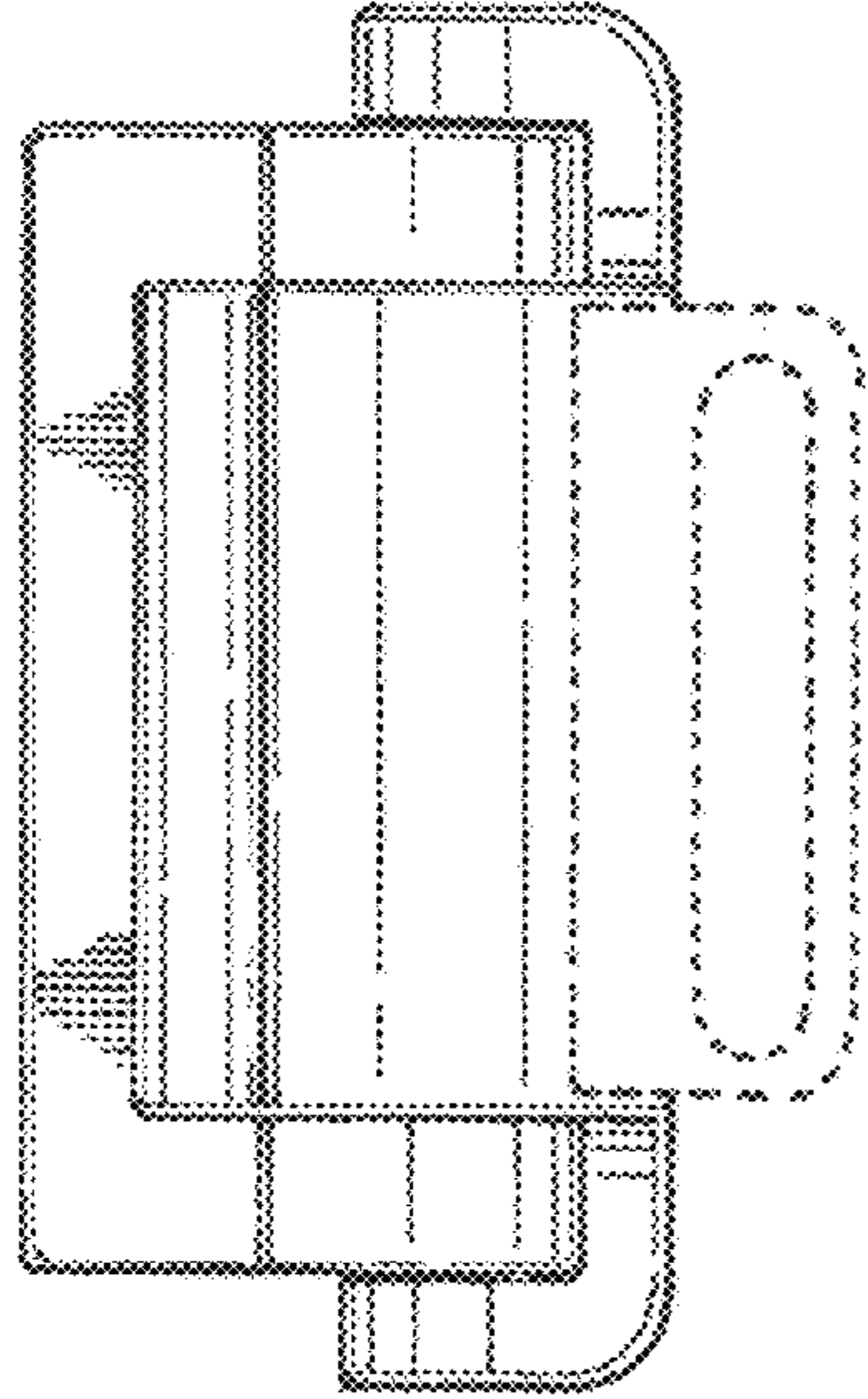
**Fig. 2**



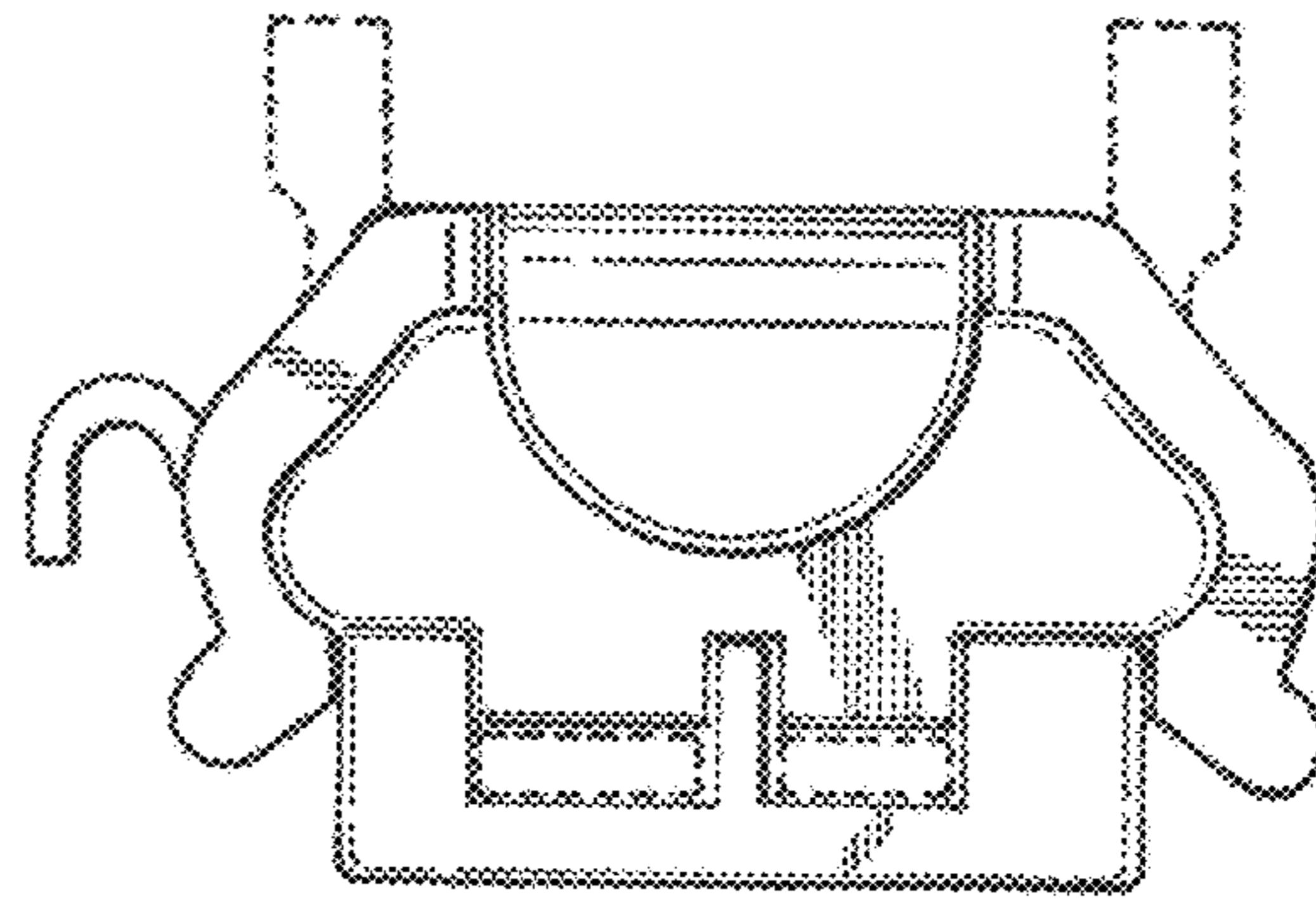
**Fig. 3**



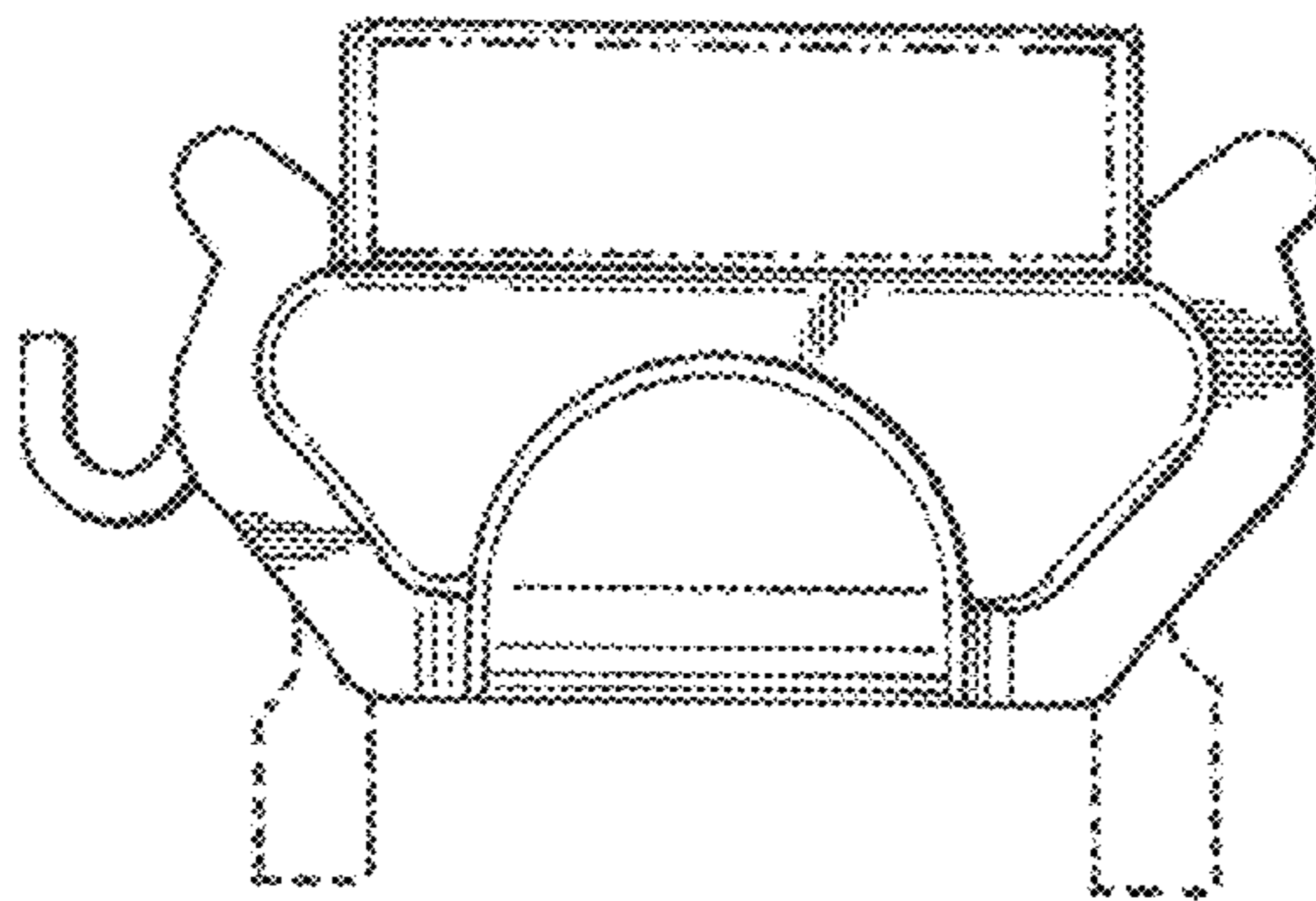
**Fig. 4**



**Fig. 5**



**Fig. 6**



**Fig. 7**