



US00D747388S

(12) **United States Design Patent**
Seoc

(10) **Patent No.:** **US D747,388 S**
(45) **Date of Patent:** **** Jan. 12, 2016**

(54) **PC**

(71) Applicant: **Samsung Electronics Co., Ltd.**,
Suwon-si (KR)

(72) Inventor: **Ho-Young Seoc**, Yongin-si (KR)

(73) Assignee: **SAMSUNG ELECTRONICS CO., LTD.** (KR)

(**) Term: **14 Years**

(21) Appl. No.: **29/459,842**

(22) Filed: **Jul. 3, 2013**

(30) **Foreign Application Priority Data**

Jan. 8, 2013 (KR) 30-2013-0001162

(51) **LOC (10) Cl.** **16-01**

(52) **U.S. Cl.**
USPC **D16/218**

(58) **Field of Classification Search**

USPC D14/371-375, 125-129, 336, 337, 448,
D14/451, 452, 492, 376-382, 450, 239;
341/12; 345/104, 156, 168, 173;
348/180, 184, 325, 739; 349/1, 2, 11,
349/62; 361/679.05-679.07, 679.21;
D6/300, 311-313, 308, 708, 310;
D19/2; D16/202, 203, 211, 218, 219,
D16/237, 243, 250

See application file for complete search history.

(56) **References Cited**

U.S. PATENT DOCUMENTS

D309,743 S * 8/1990 Chan D16/200
D502,197 S * 2/2005 Imai D16/202
D502,199 S * 2/2005 Imai D16/202
7,057,662 B2 * 6/2006 Malzbender 348/373
7,286,181 B2 * 10/2007 Cha 348/373

(Continued)

Primary Examiner — Deanna L Pratt

Assistant Examiner — Katie Mroczka

(74) *Attorney, Agent, or Firm* — Cantor Colburn LLP

(57) **CLAIM**

I claim, the ornamental design for a PC, as shown and described.

DESCRIPTION

FIG. 1 is a front perspective view of a PC showing our new design;

FIG. 2 is a front view of thereof;

FIG. 3 is a rear view of thereof;

FIG. 4 is a left side view of thereof;

FIG. 5 is a right side view of thereof;

FIG. 6 is a top plan view of thereof;

FIG. 7 is a bottom plan view of thereof;

FIG. 8 is a rear perspective view of thereof;

FIG. 9 is an additional front perspective view thereof, with a portion of a camera of the PC in an open position;

FIG. 10 is an additional front view thereof, with a portion of a camera of the PC in an open position;

FIG. 11 is an additional rear view thereof, with a portion of a camera of the PC in an open position;

FIG. 12 is an additional left side view thereof, with a portion of a camera of the PC in an open position;

FIG. 13 is an additional right side view thereof, with a portion of a camera of the PC in an open position;

FIG. 14 is an additional top plan view thereof, with a portion of a camera of the PC in an open position;

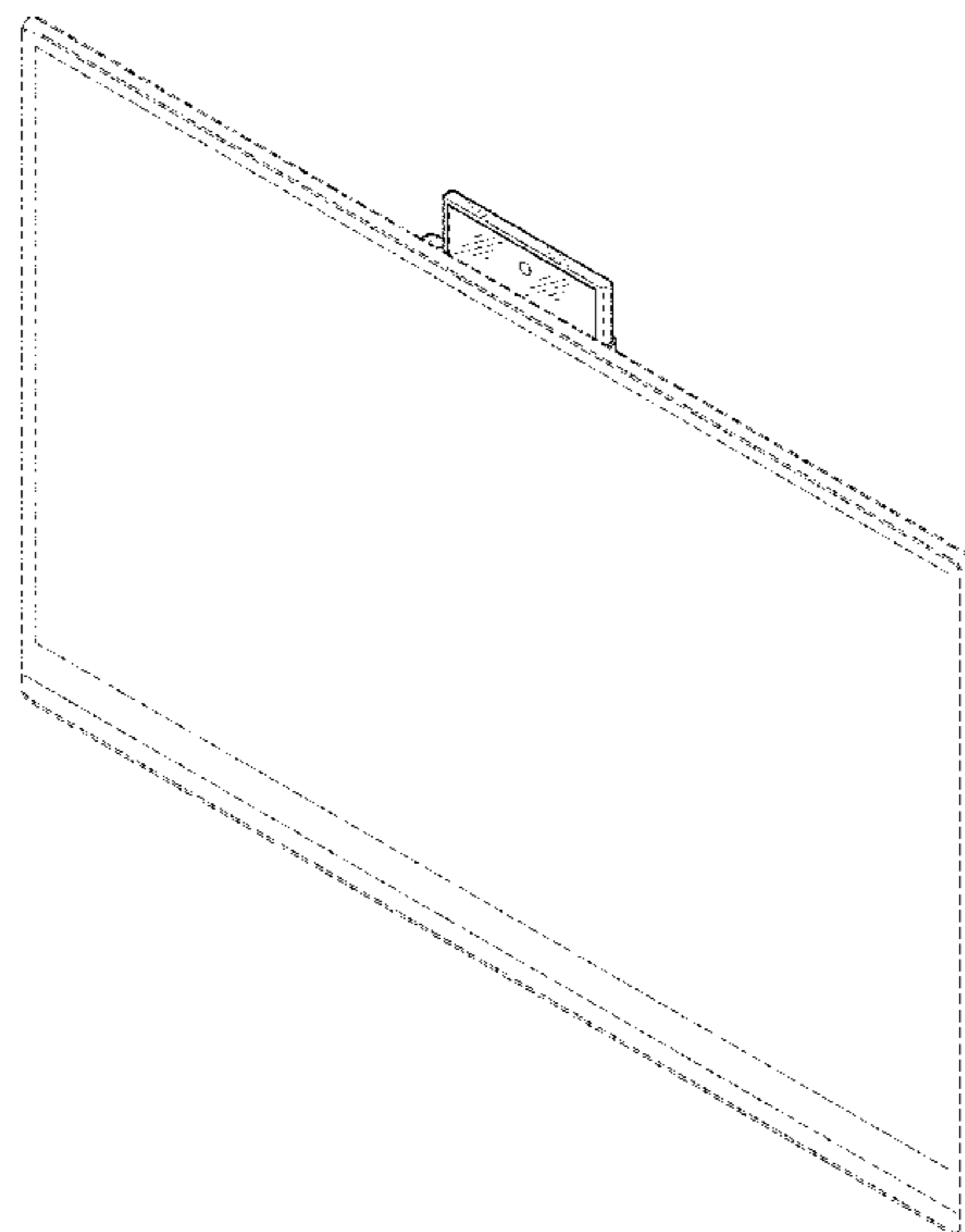
FIG. 15 is an additional bottom plan view thereof, with a portion of a camera of the PC in an open position; and,

FIG. 16 is a rear perspective view thereof, with a portion of a camera of the PC in an open position.

The broken lines illustrating portions of the PC are for environmental purpose only and form no part of the claimed design.

The shade lines in the Figures transparency and not surface ornamentation.

1 Claim, 16 Drawing Sheets



(56)

References Cited

U.S. PATENT DOCUMENTS

D561,807 S *	2/2008	Ogura et al.	D16/219	D675,660 S *	2/2013	Su	D16/202
7,500,794 B1 *	3/2009	Clark	396/427	D680,569 S *	4/2013	Lee et al.	D16/202
D629,031 S *	12/2010	Su et al.	D16/202	8,466,999 B2 *	6/2013	Shiau et al.	348/373
D641,388 S *	7/2011	Shih et al.	D16/202	D688,718 S *	8/2013	Tsai	D16/202
D643,456 S *	8/2011	Won et al.	D16/218	8,542,264 B2 *	9/2013	Lu et al.	348/14.08
D654,942 S *	2/2012	Khamsepoor et al.	D16/202	D708,248 S *	7/2014	Son et al.	D16/218
				D708,249 S *	7/2014	Kim et al.	D16/218
				2009/0231484 A1 *	9/2009	Lee et al.	348/373

* cited by examiner

FIG. 1

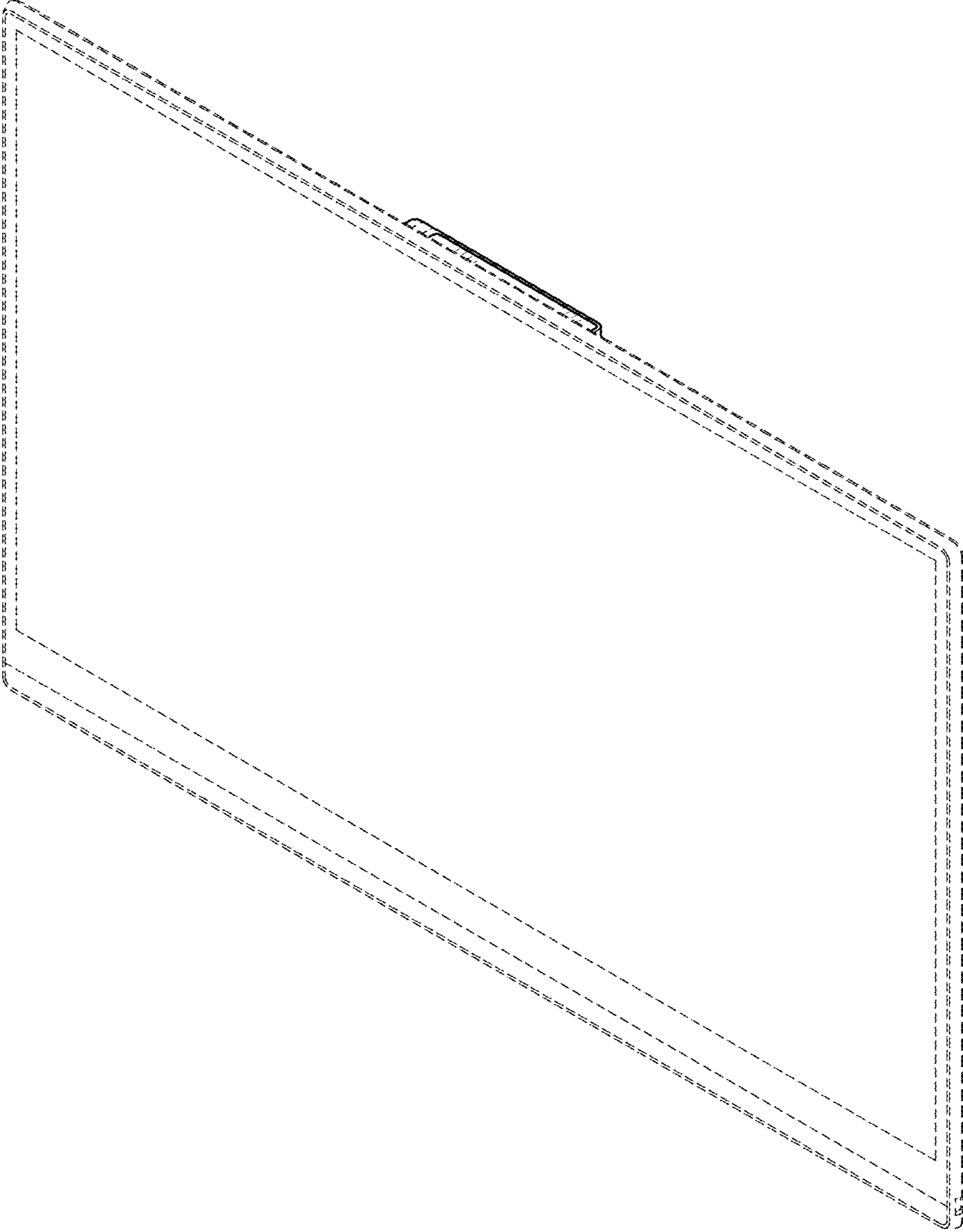


FIG. 2

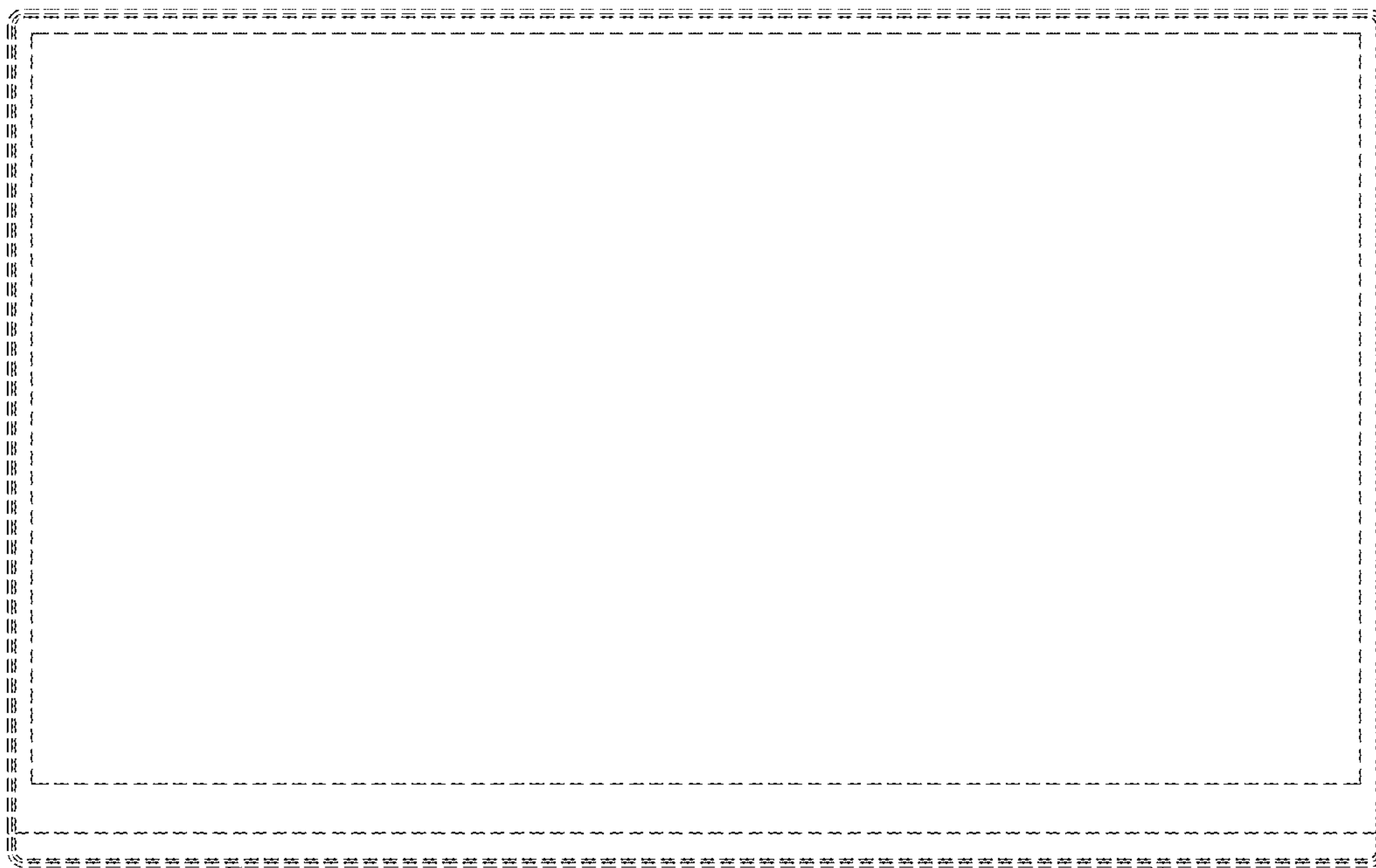


FIG. 3

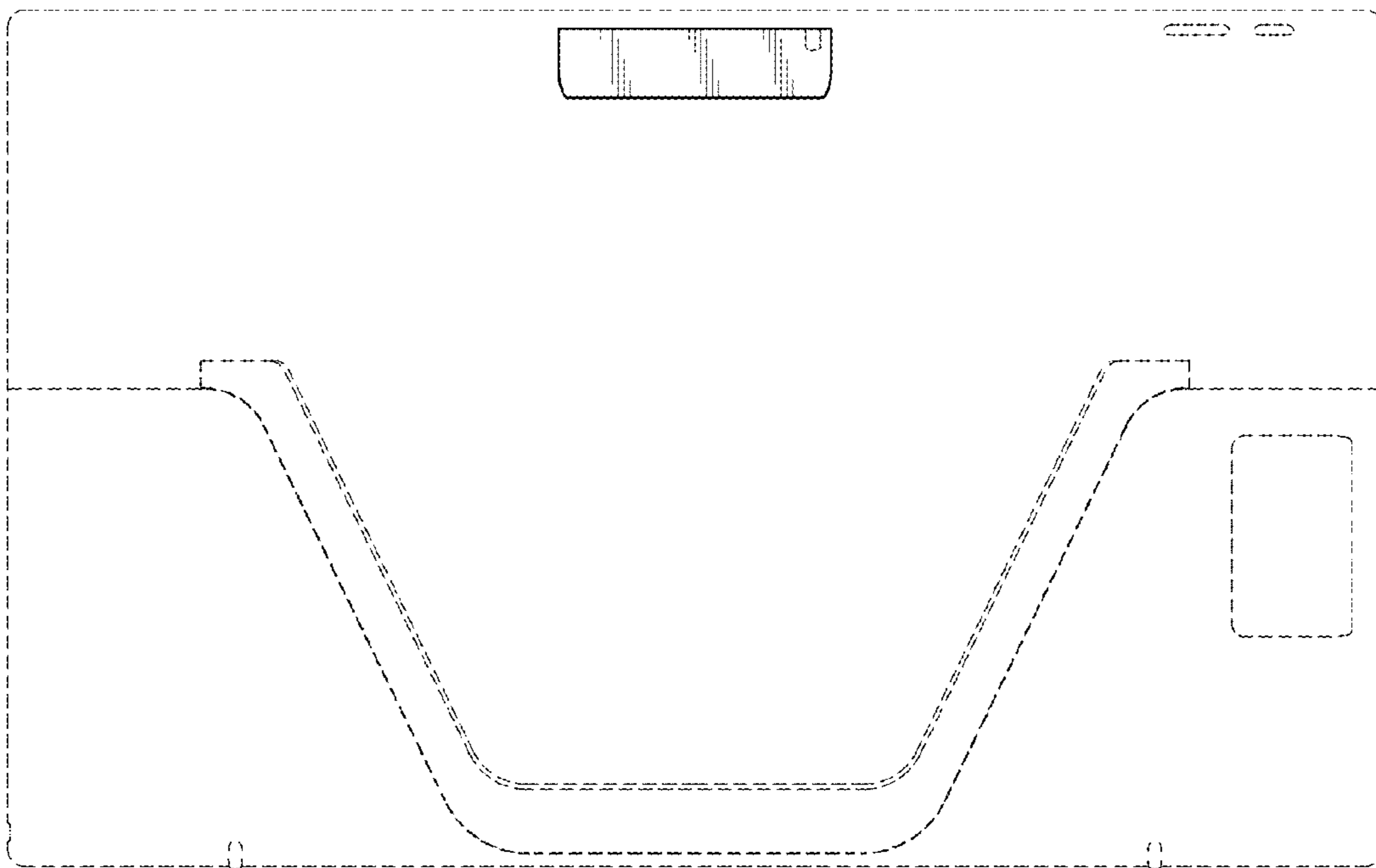


FIG. 4

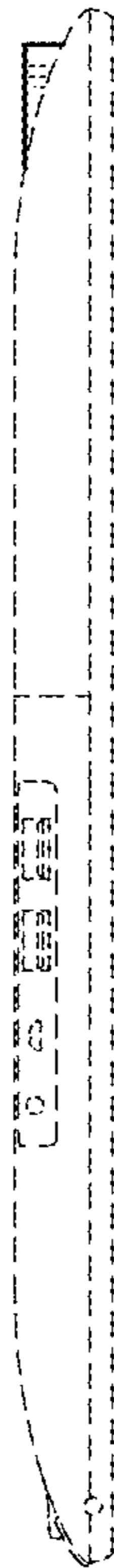


FIG. 5



FIG. 6

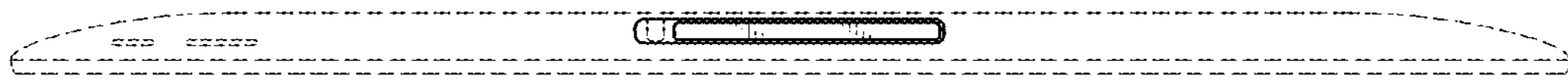


FIG. 7

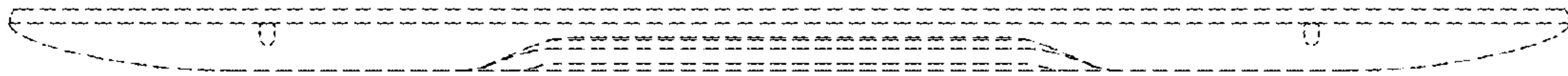


FIG. 8

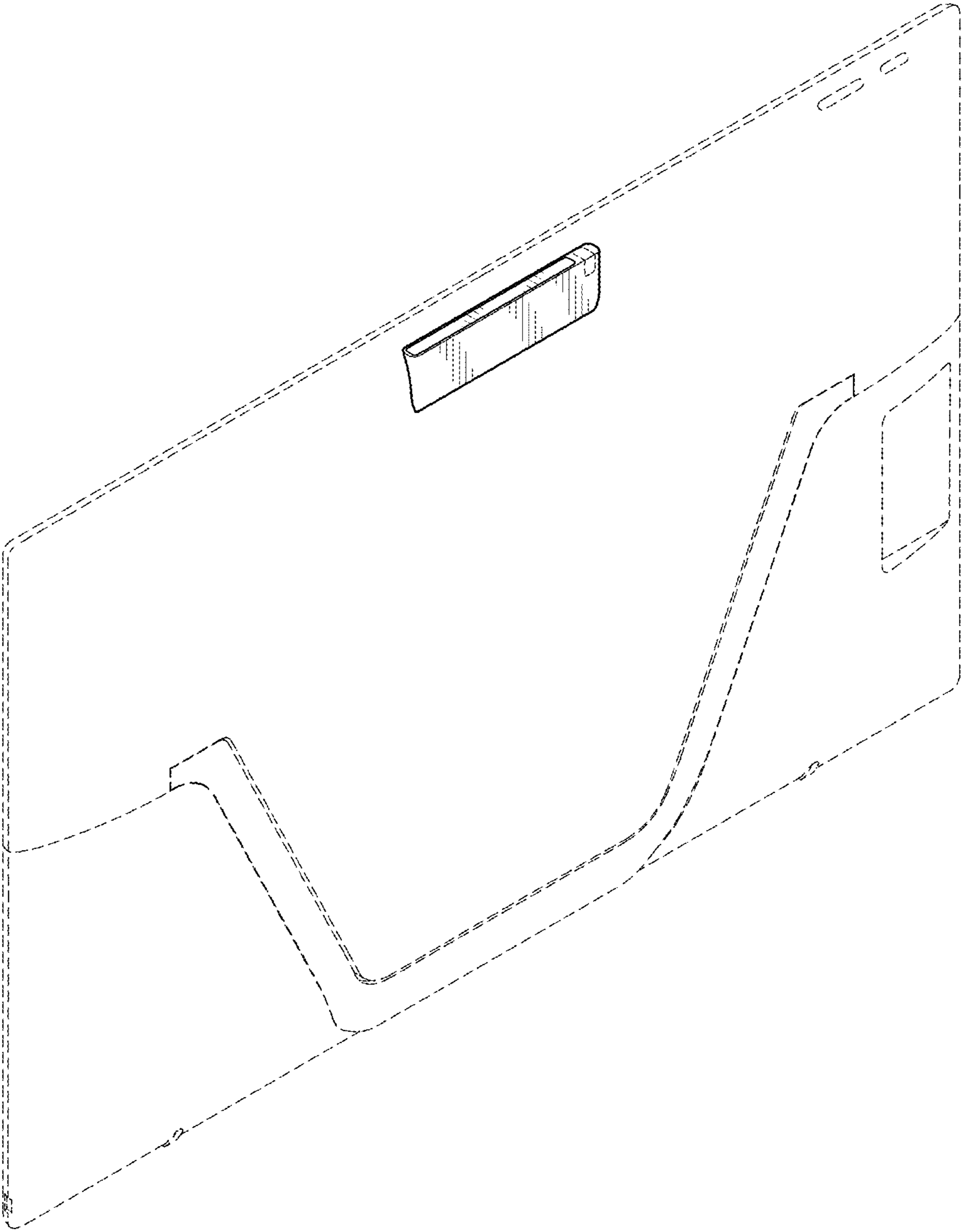


FIG. 9

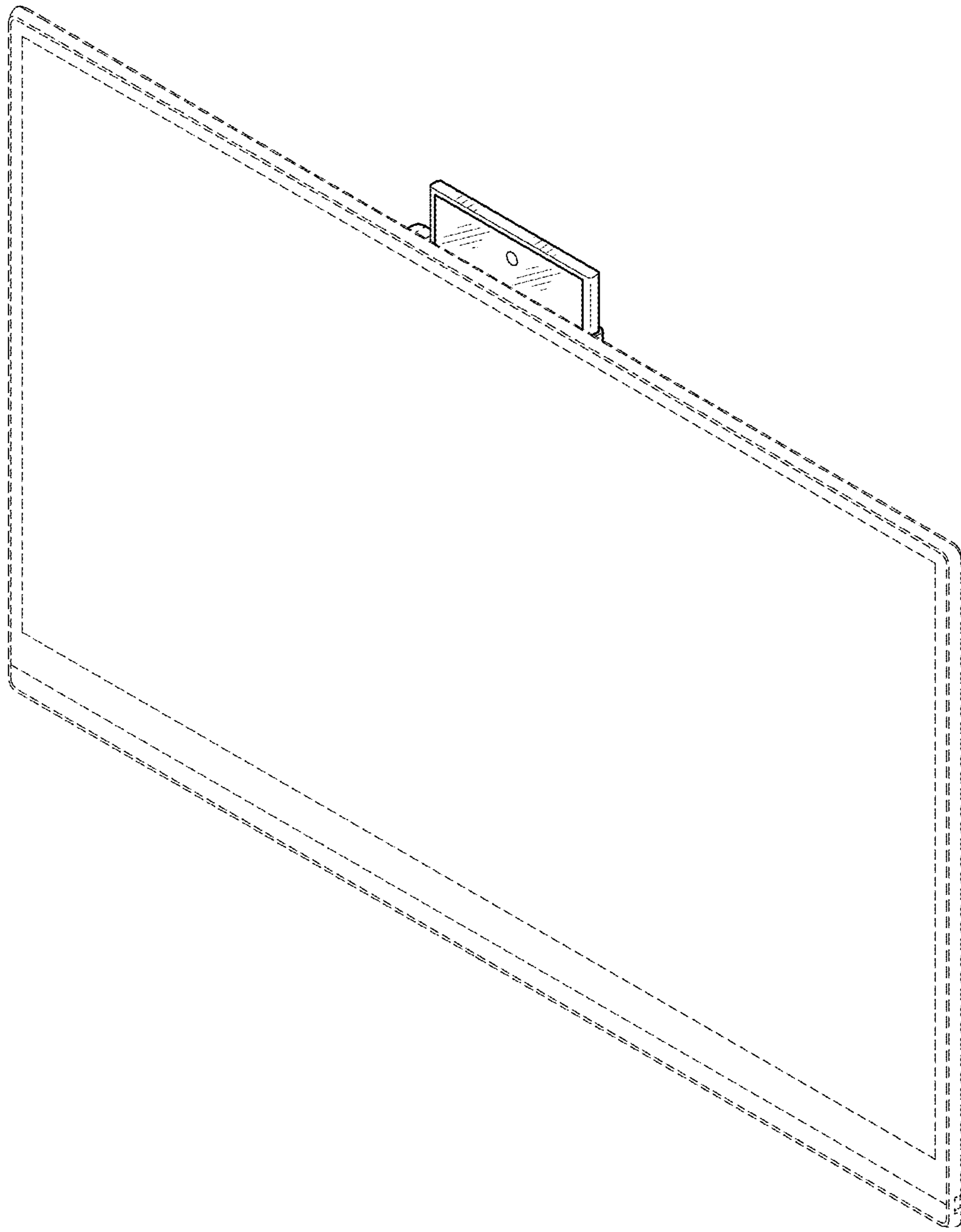


FIG. 10

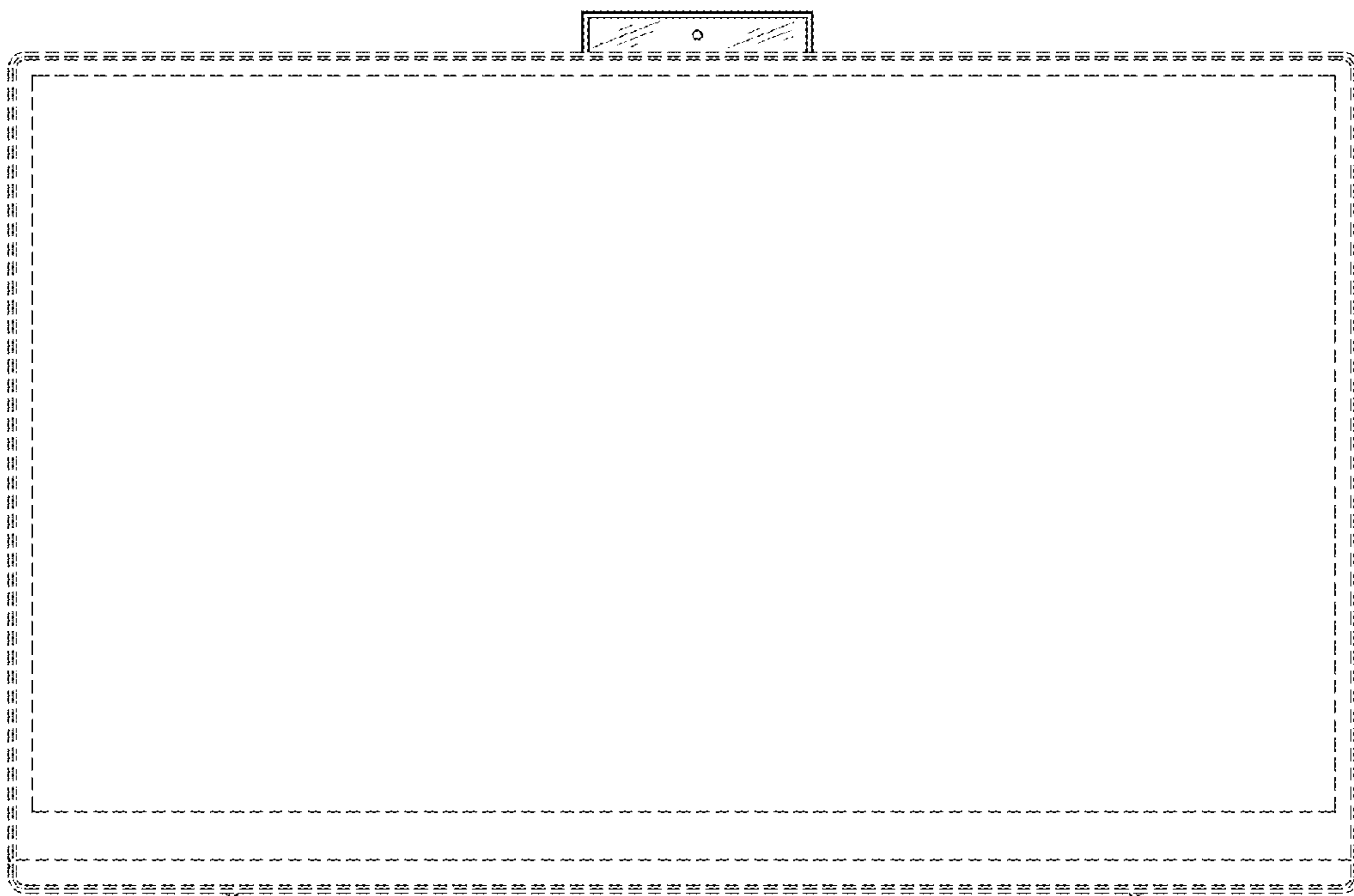


FIG. 11

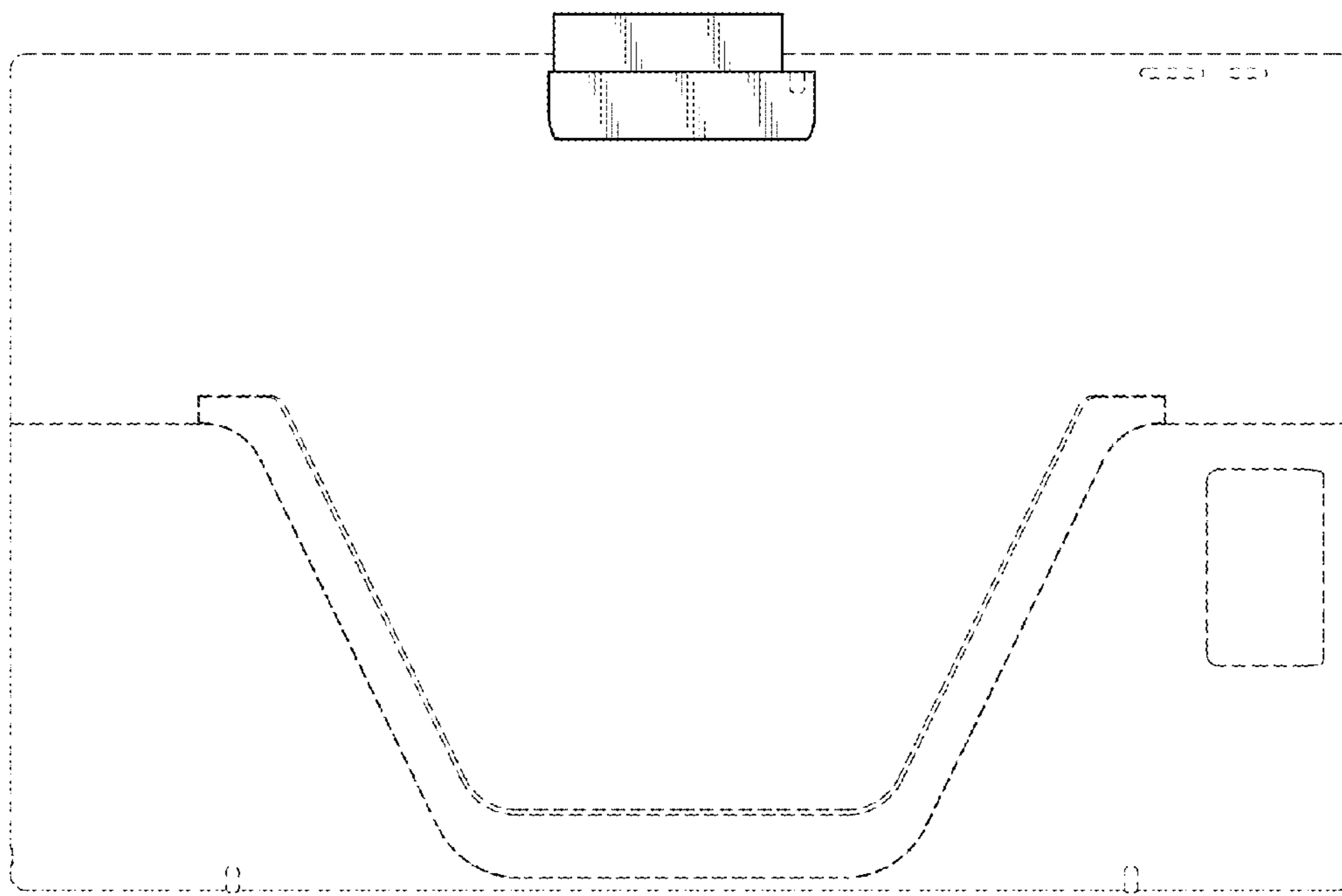


FIG. 12

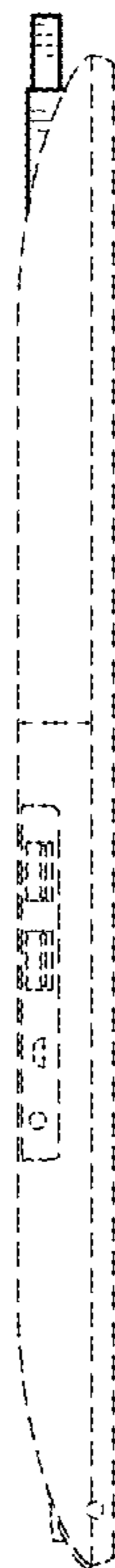


FIG. 13

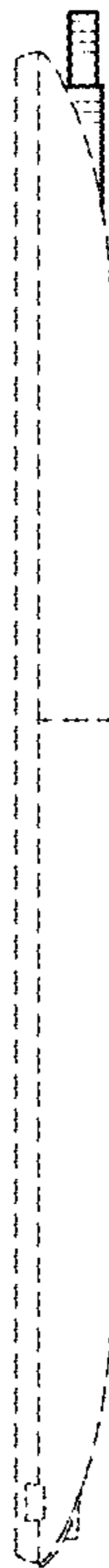


FIG. 14

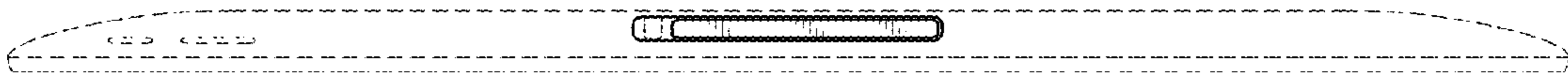


FIG. 15



FIG. 16

