



US00D747387S

(12) **United States Design Patent**
Swen et al.

(10) **Patent No.:** **US D747,387 S**
(45) **Date of Patent:** **** Jan. 12, 2016**

- (54) **CAMERA**
- (71) Applicant: **Google Inc.**, Mountain View, CA (US)
- (72) Inventors: **Kyle Nathen Swen**, San Carlos, CA (US); **Jung Geun Tak**, Millbrae, CA (US)
- (73) Assignee: **Google Inc.**, Mountain View, CA (US)
- (**) Term: **14 Years**
- (21) Appl. No.: **29/494,741**
- (22) Filed: **Jun. 24, 2014**
- (51) **LOC (10) Cl.** **16-01**
- (52) **U.S. Cl.**
USPC **D16/211**
- (58) **Field of Classification Search**
USPC D16/200, 202–206, 208, 211, 212, 217,
D16/218, 219; 348/373–376; 396/535–541
CPC G03B 15/03; G03B 17/02; G03B 17/04;
G03B 17/56; G03B 19/04; H04N 5/2251;
H04N 5/2252; H04N 5/2253; H04N 5/2254;
H04N 2101/00
See application file for complete search history.

- D676,075 S * 2/2013 Ku D16/208
- D692,473 S * 10/2013 Kawaguchi et al. D16/202
- D709,937 S * 7/2014 Goldenberg et al. D16/211

* cited by examiner

Primary Examiner — Adir Aronovich
Assistant Examiner — Ramzi Almatrahi
(74) *Attorney, Agent, or Firm* — Finnegan, Henderson, Farabow, Garrett & Dunner, LLP

(57) **CLAIM**
The ornamental design for a camera, as shown and described.

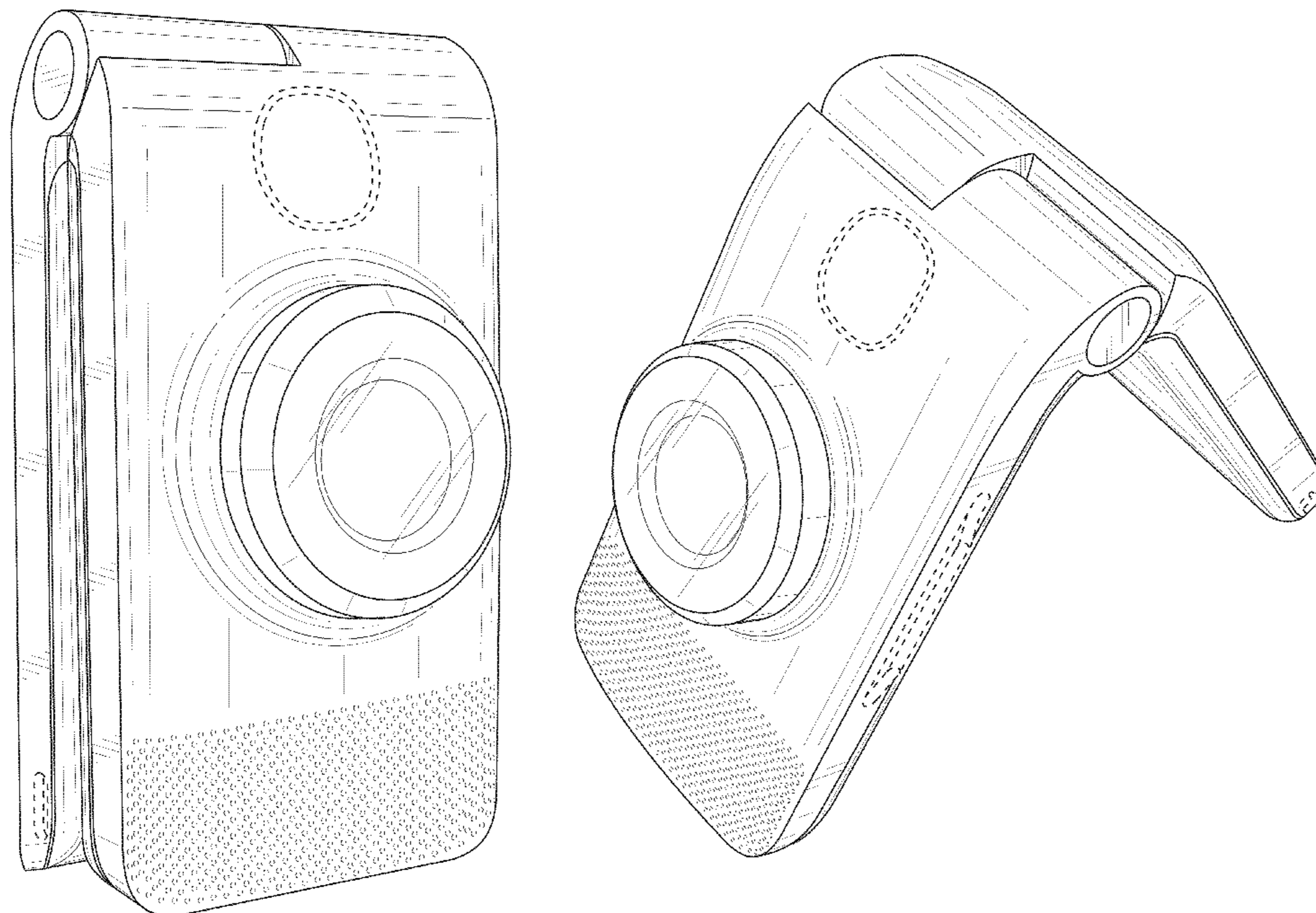
DESCRIPTION

FIG. 1 is a front and left side perspective view of a camera showing our new design, in which the camera is shown in a closed configuration;
FIG. 2 is a front elevation view thereof;
FIG. 3 is a rear elevation view thereof;
FIG. 4 is a right side elevation view thereof;
FIG. 5 is a left side elevation view thereof;
FIG. 6 is a top plan view thereof;
FIG. 7 is a bottom plan view thereof;
FIG. 8 is a front and right side perspective view thereof, in which the camera is shown in a partially open configuration;
FIG. 9 is a rear and left side perspective view thereof;
FIG. 10 is a top plan view thereof;
FIG. 11 is a bottom plan view thereof;
FIG. 12 is a front elevation view thereof, in which the camera is shown in a fully open configuration;
FIG. 13 is a front and right side perspective view thereof; and,
FIG. 14 is a rear and right side perspective view thereof.
The broken lines depict portions of a camera in which the design is embodied and form no part of the claimed design.

1 Claim, 14 Drawing Sheets

(56) **References Cited**
U.S. PATENT DOCUMENTS

- D537,094 S * 2/2007 Lee D16/202
- D619,155 S * 7/2010 Kim et al. D16/202
- D620,512 S * 7/2010 Kao D16/202
- D624,107 S * 9/2010 Goldenberg D16/211
- D636,423 S * 4/2011 Ogino et al. D16/202



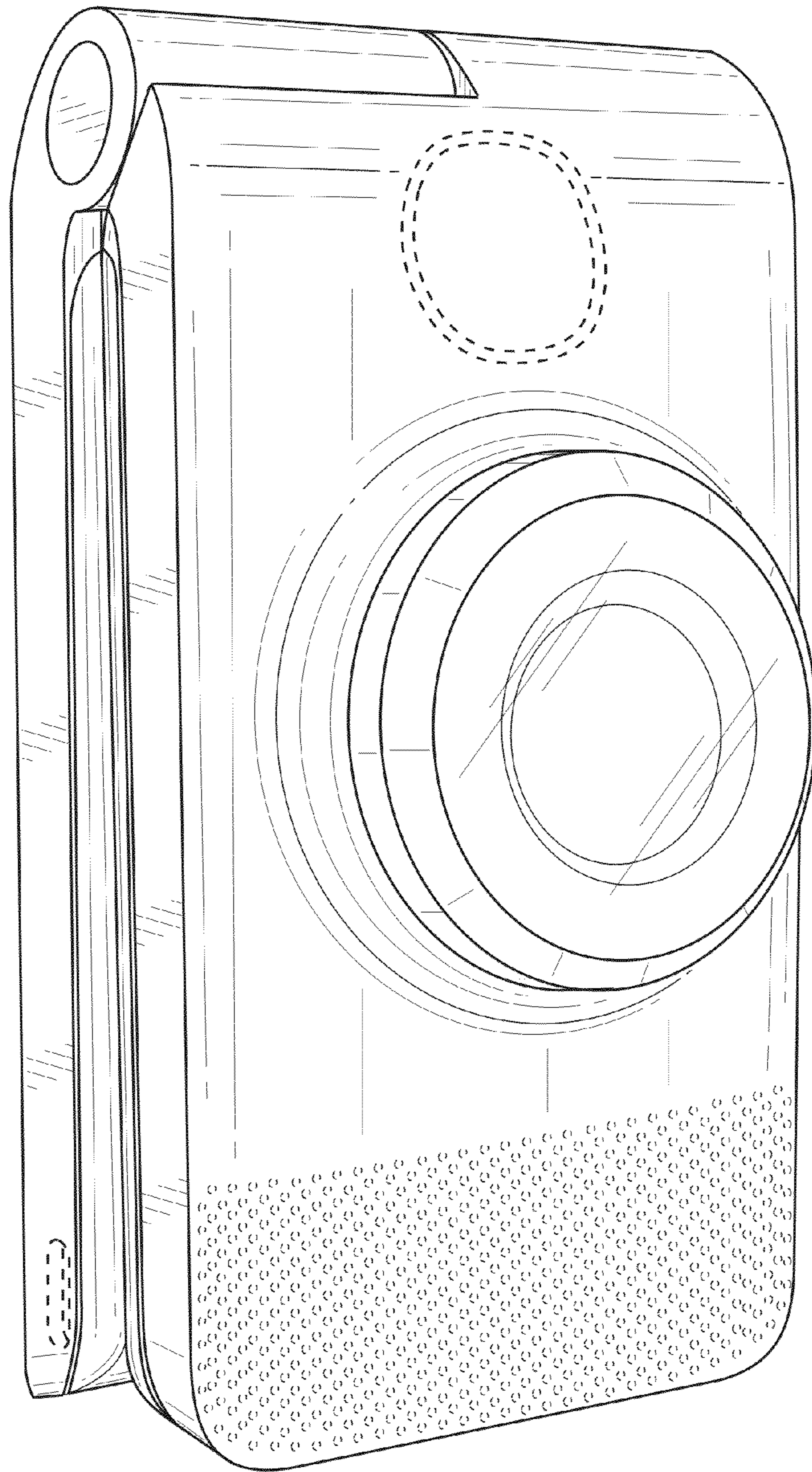


FIG. 1

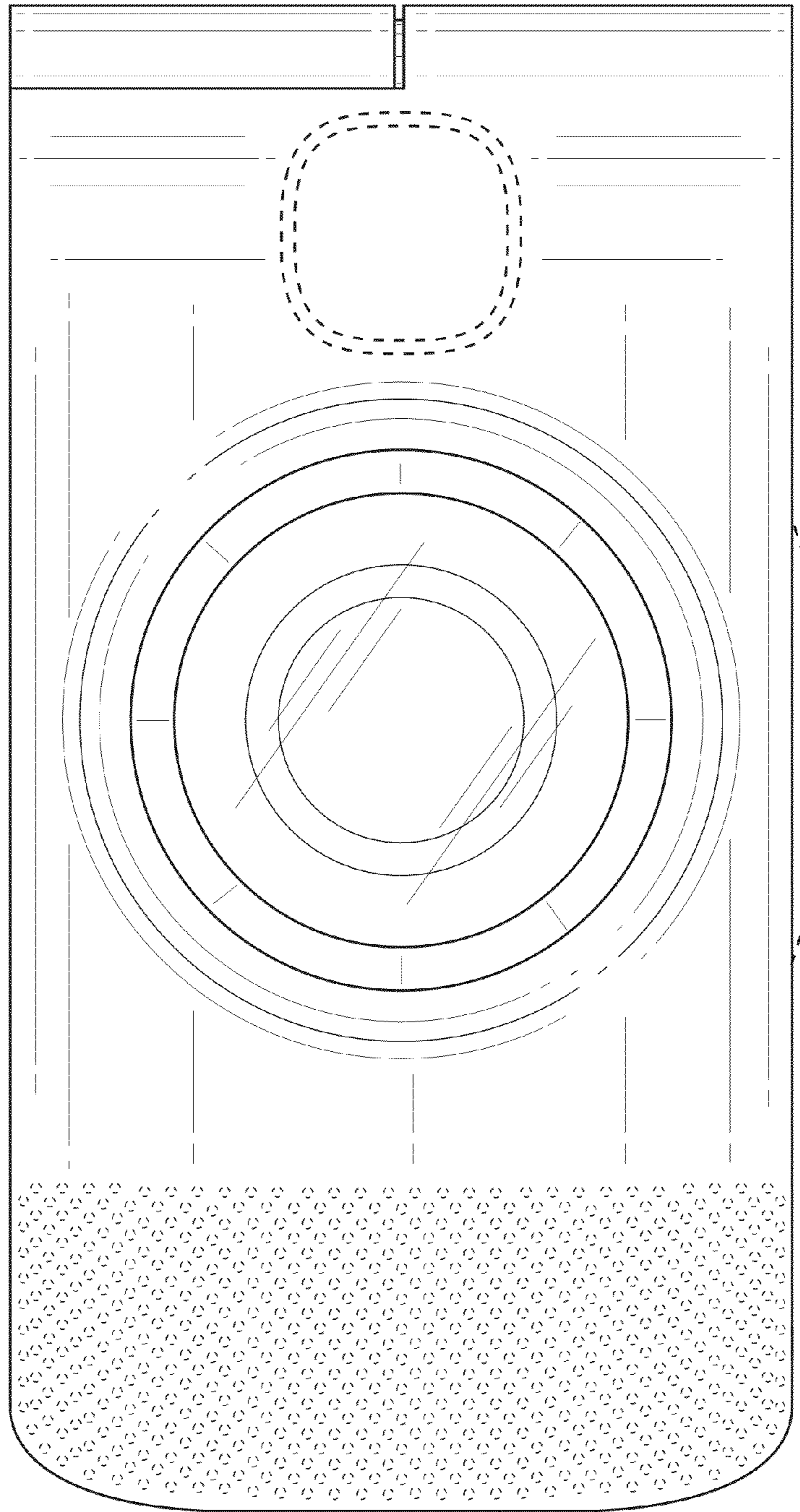


FIG. 2

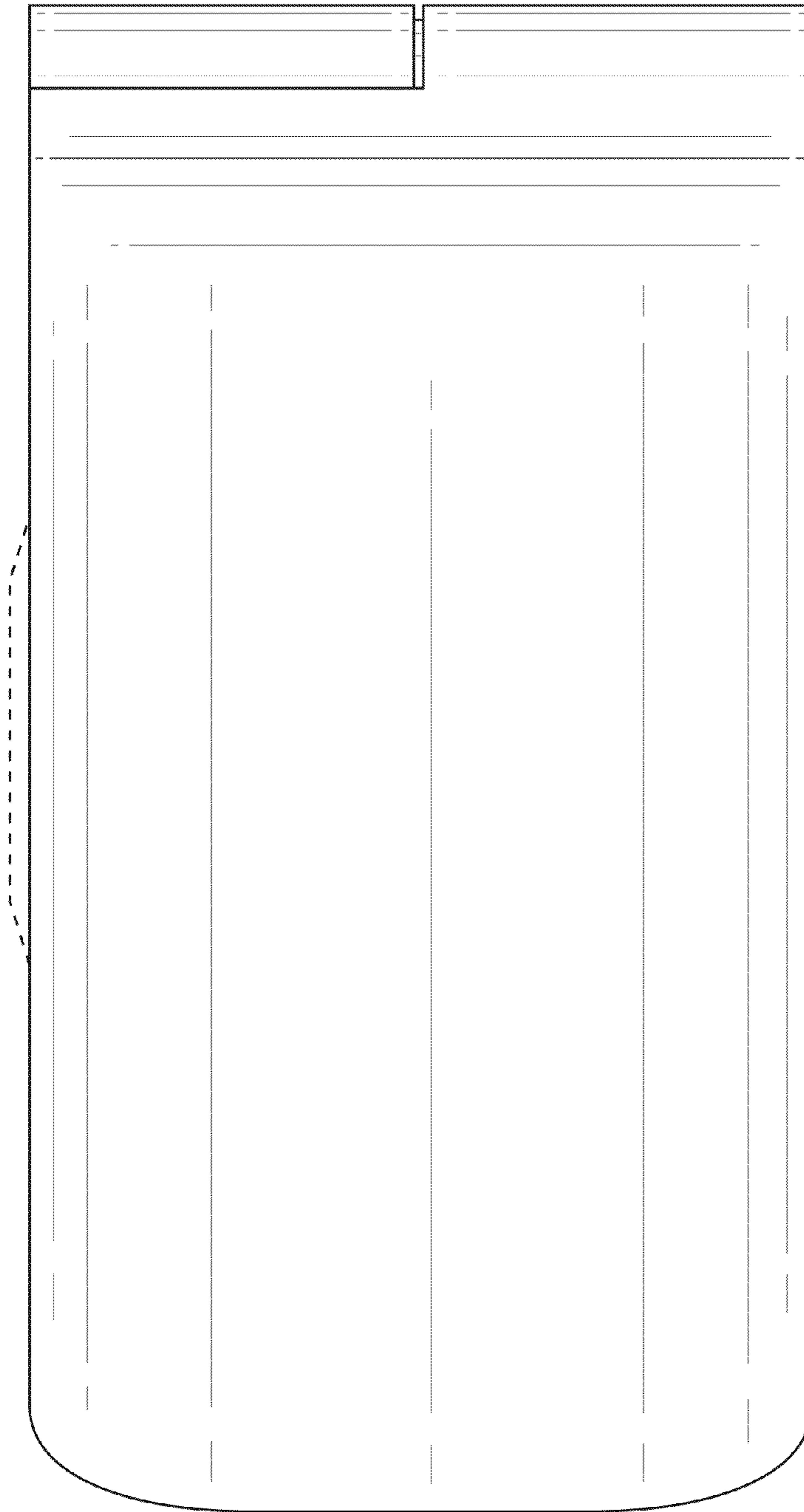


FIG. 3

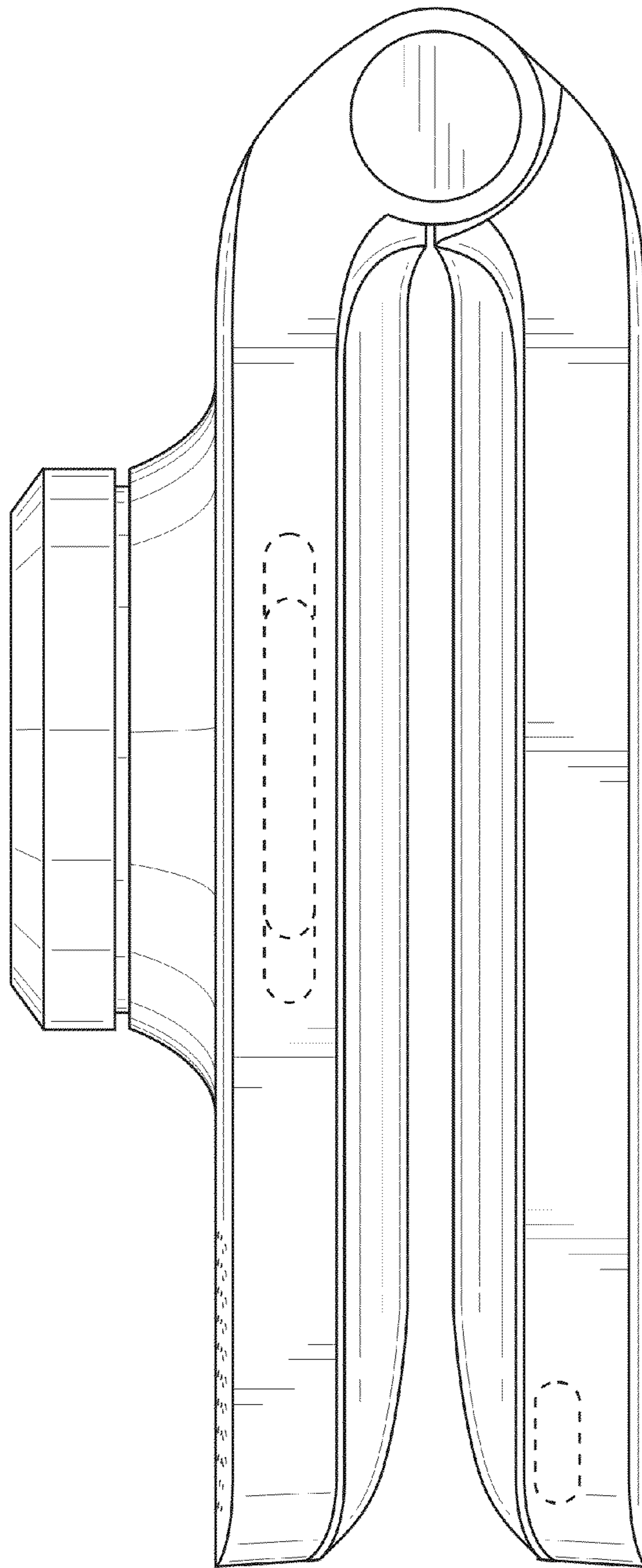


FIG. 4

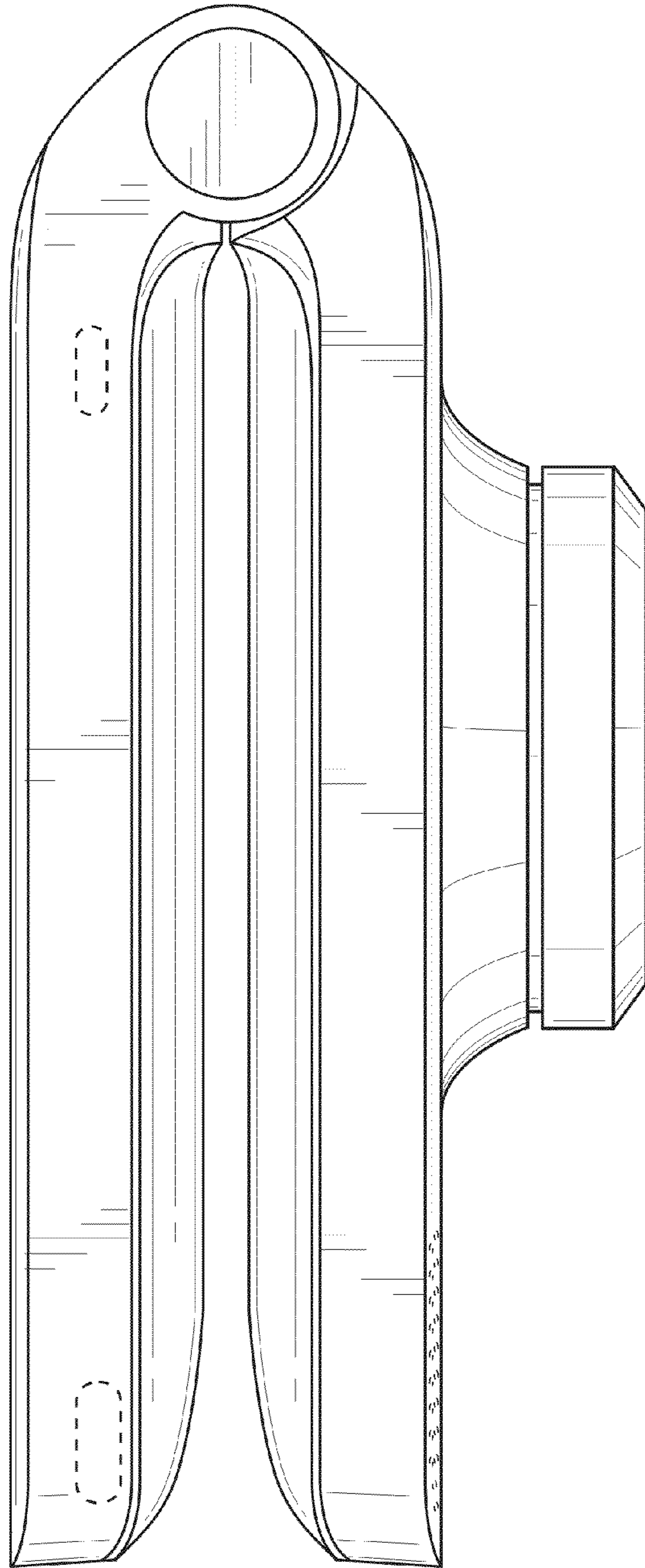


FIG. 5

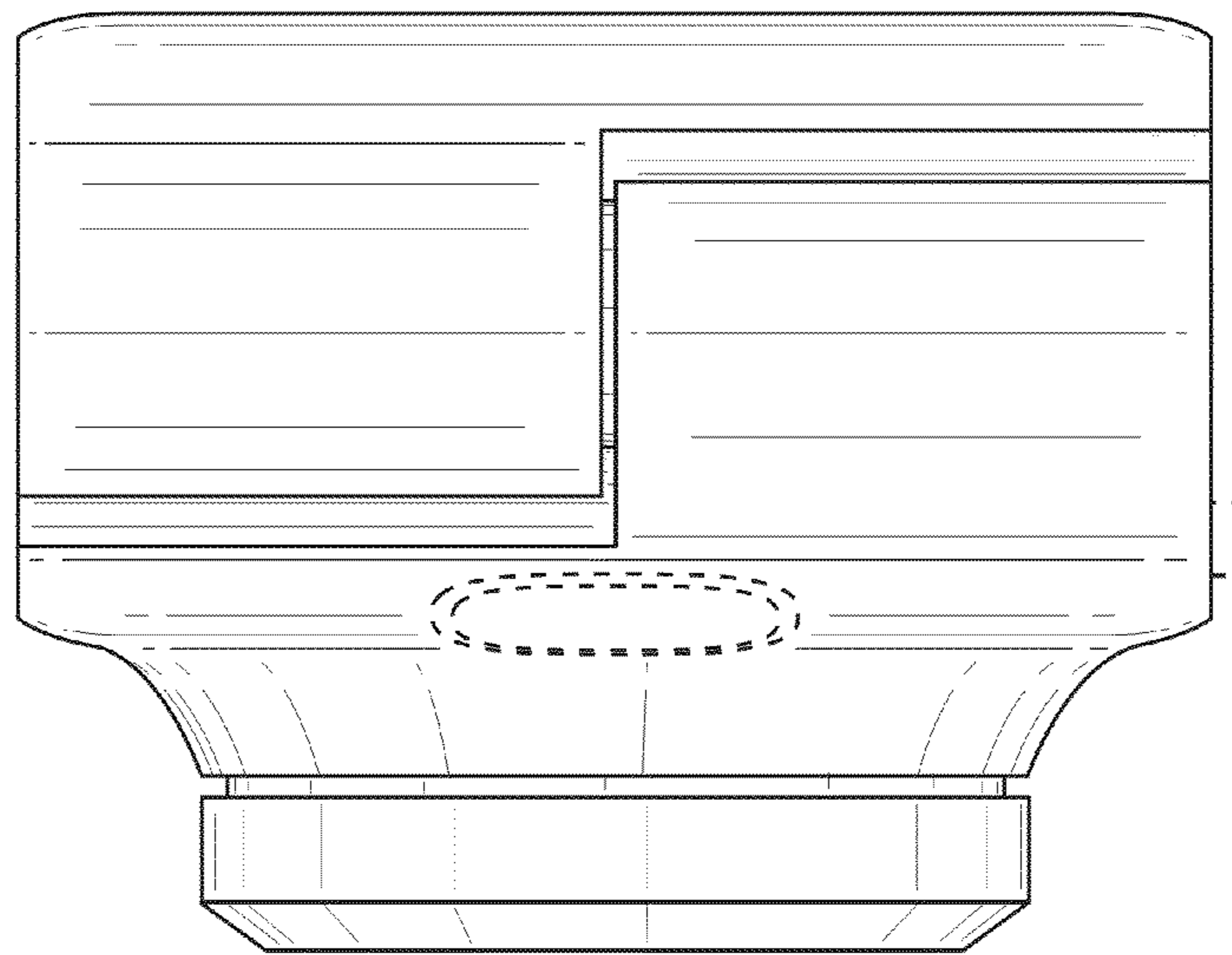


FIG. 6

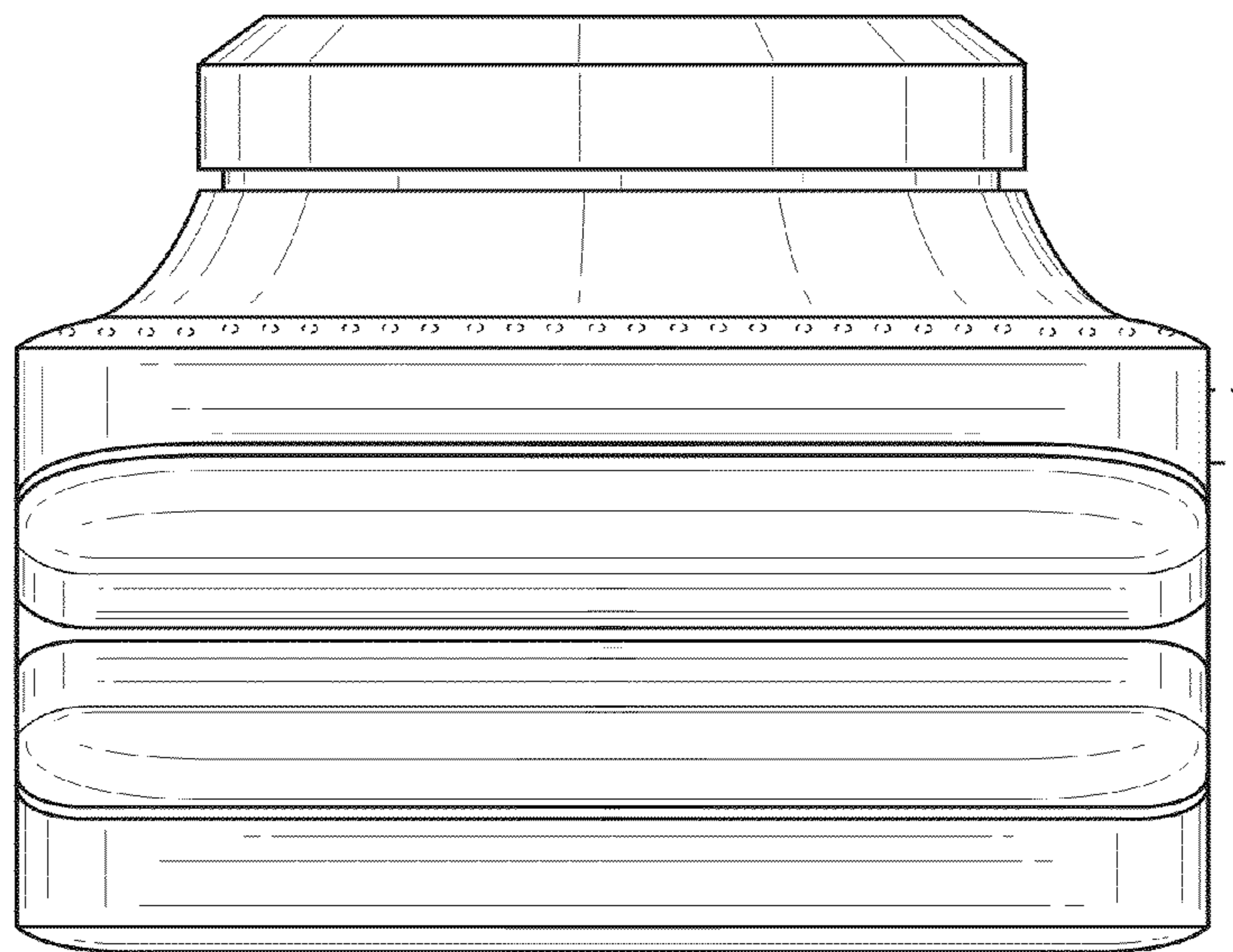


FIG. 7

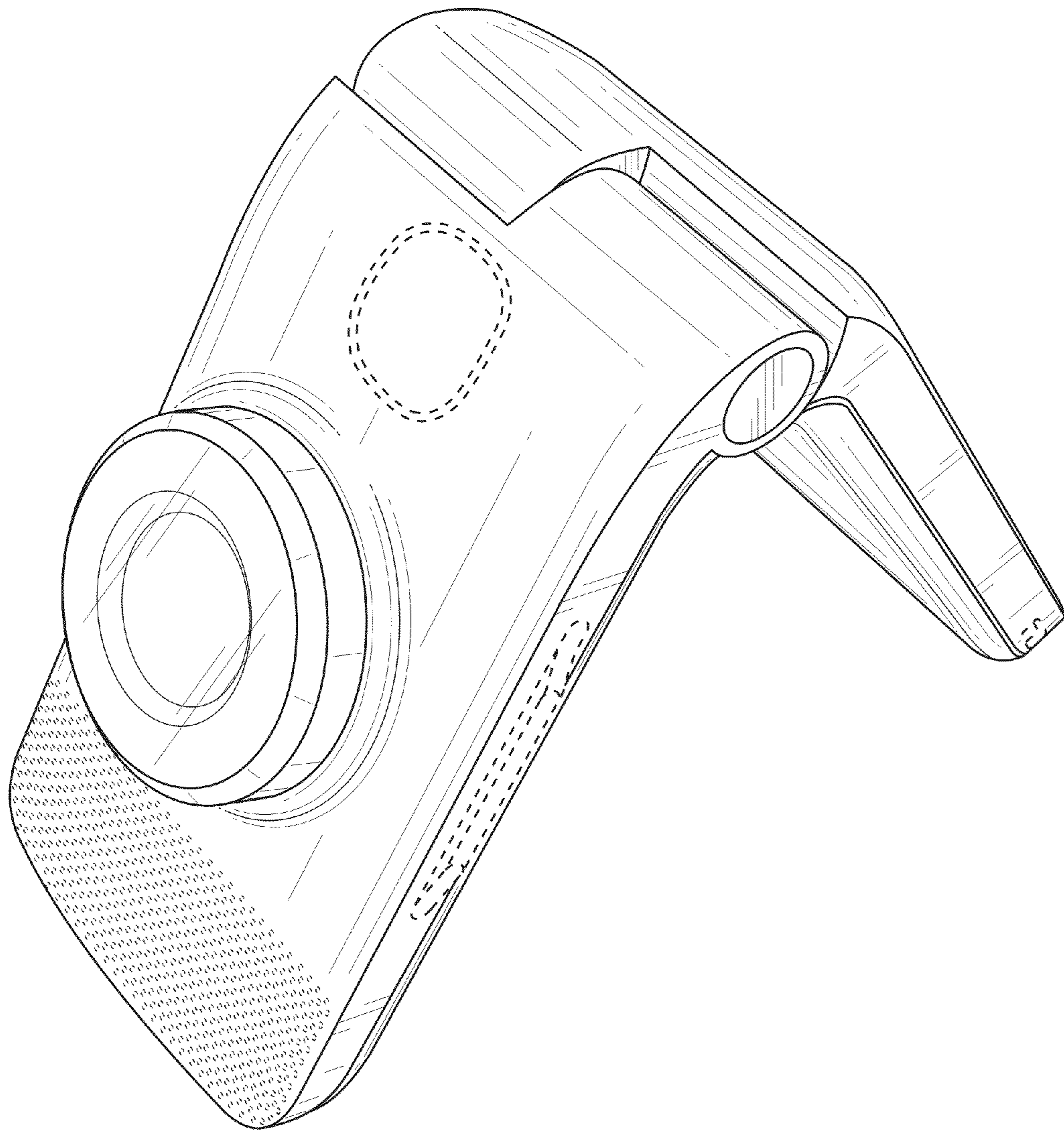


FIG. 8

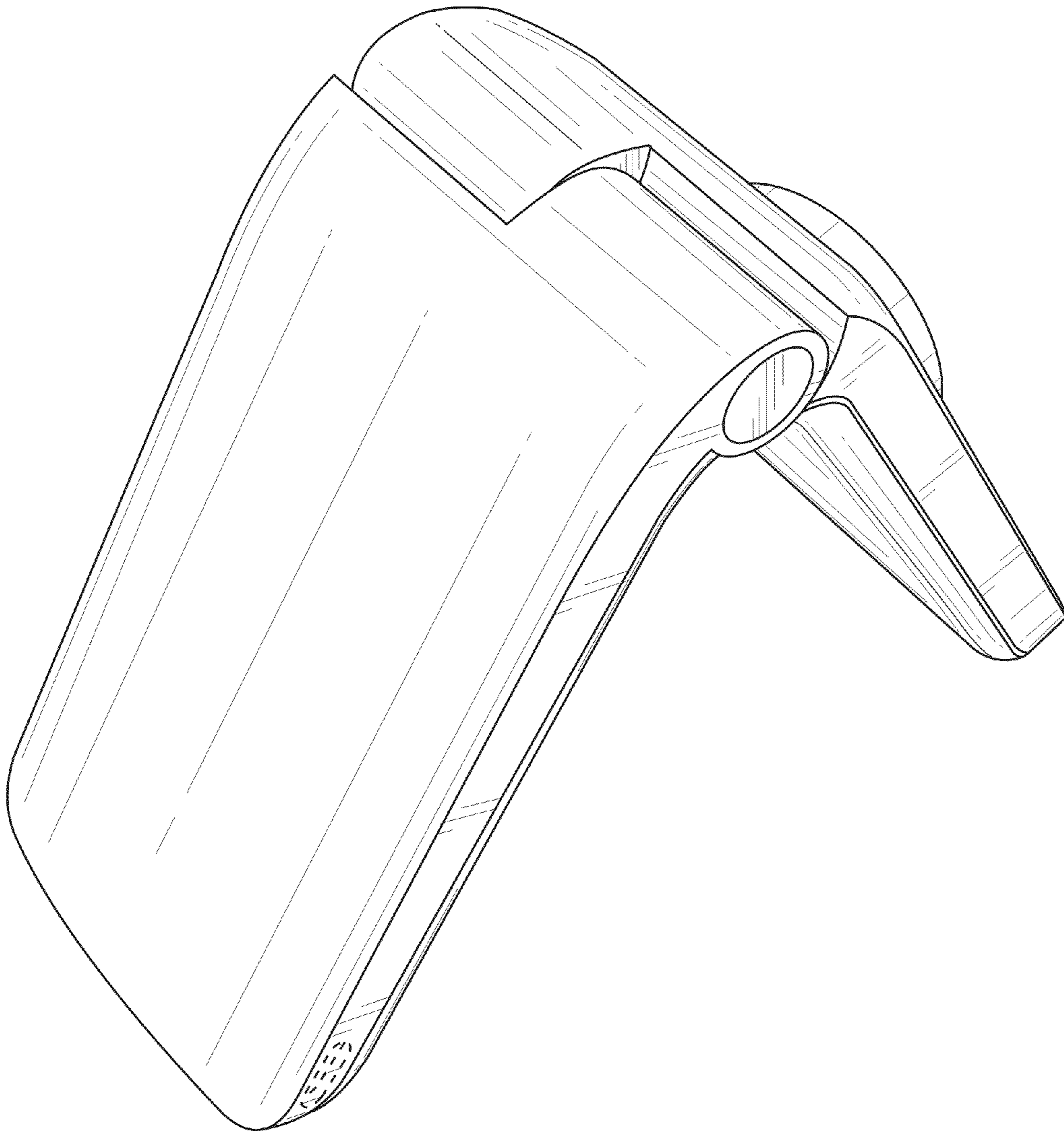


FIG. 9

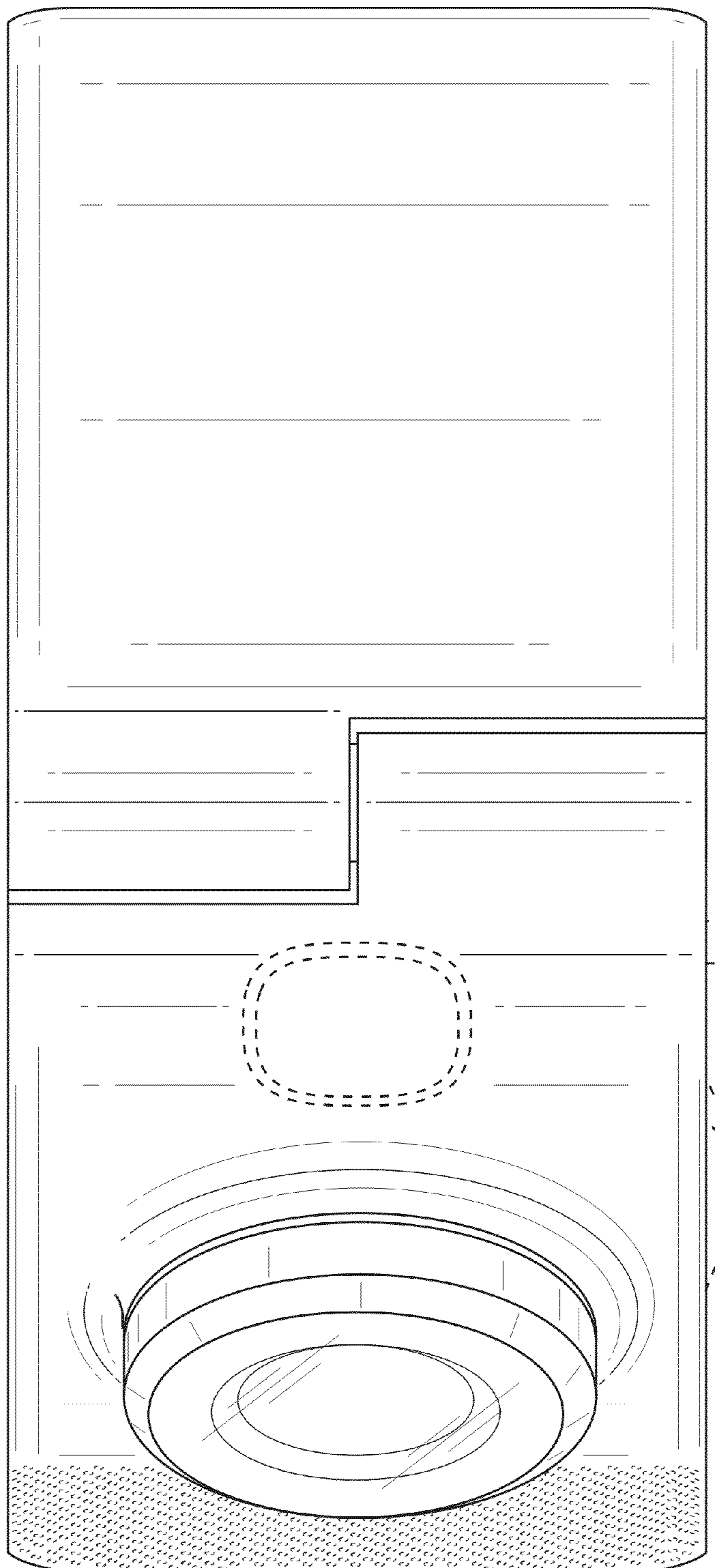


FIG. 10

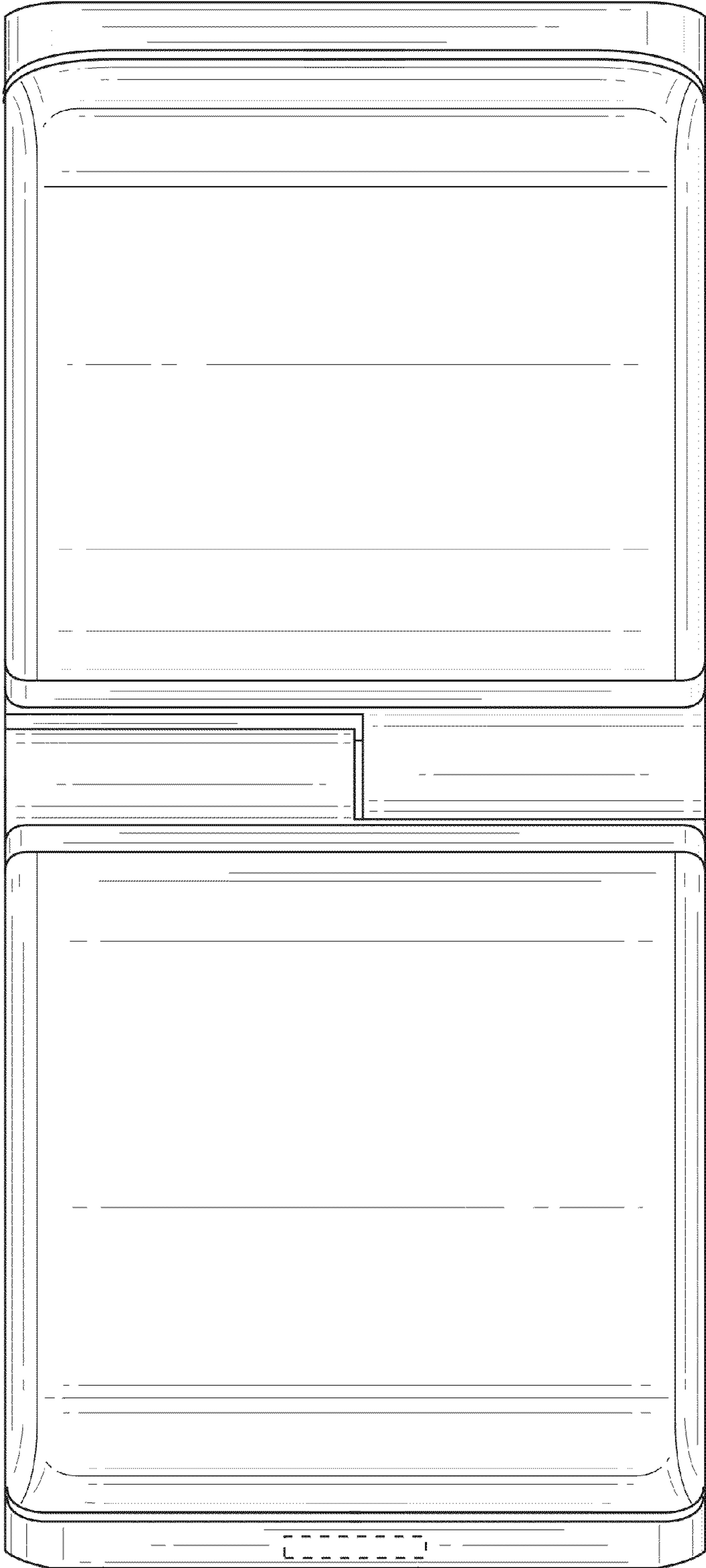


FIG. 11

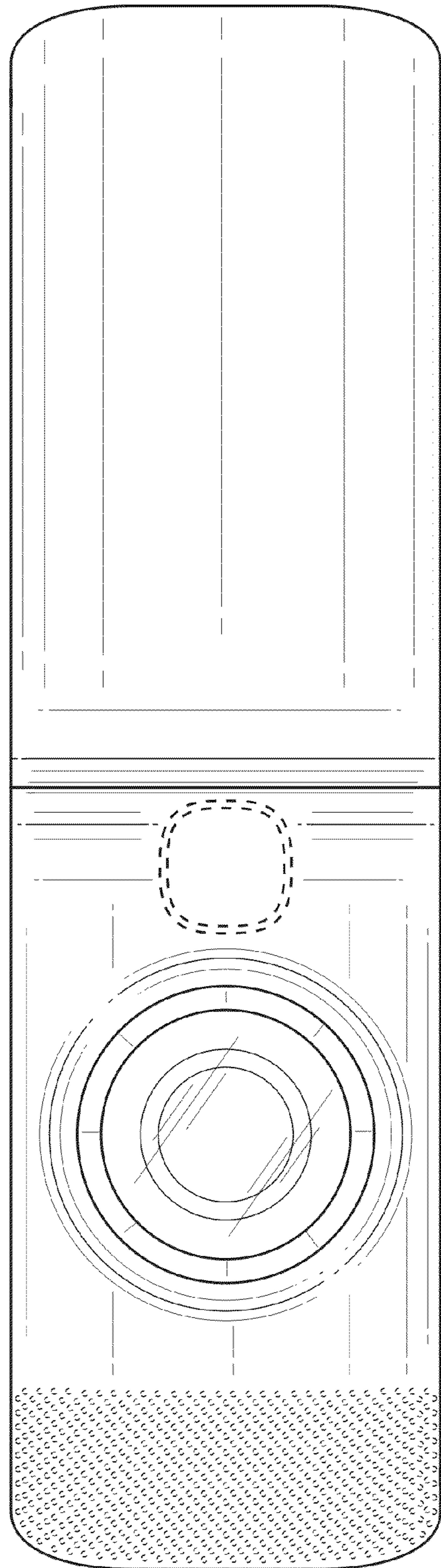


FIG. 12

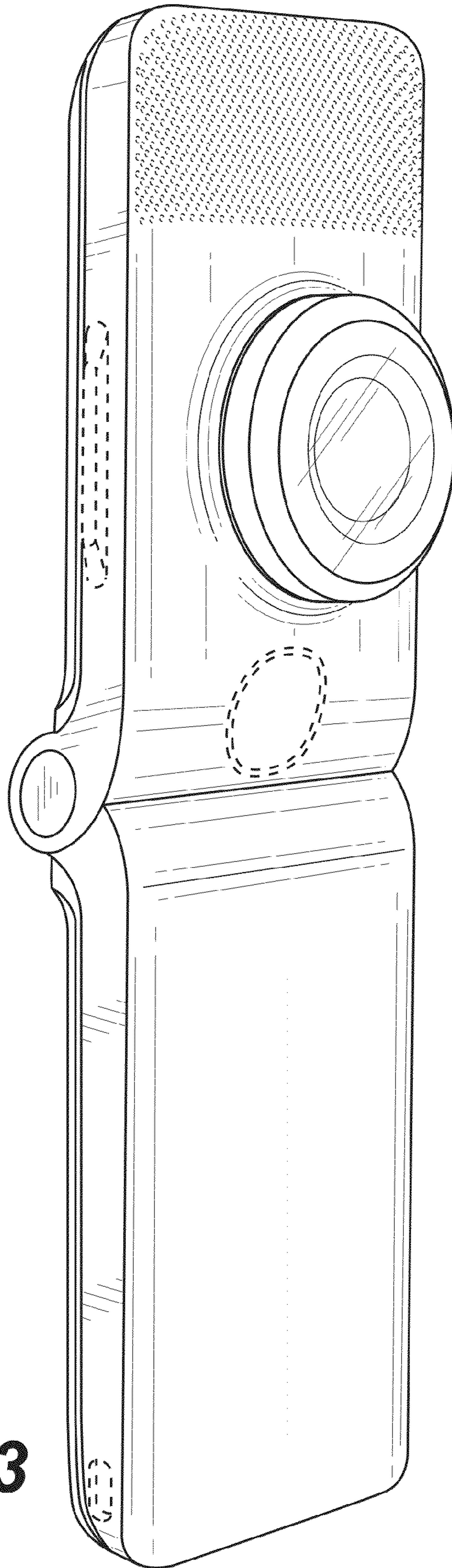


FIG. 13

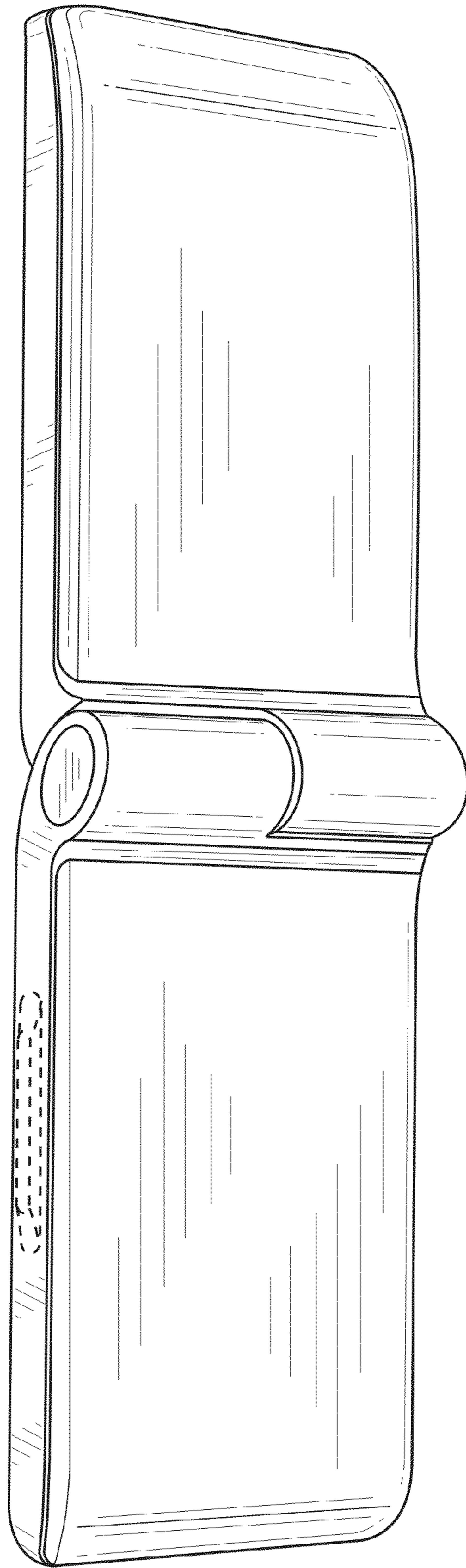


FIG. 14