



US00D747385S

(12) **United States Design Patent**  
**Scalisi**

(10) **Patent No.:** **US D747,385 S**  
(45) **Date of Patent:** **\*\* Jan. 12, 2016**

(54) **VIDEO CAMERA**

(71) Applicant: **SkyBell Technologies, Inc.**, Irvine, CA  
(US)

(72) Inventor: **Joseph Frank Scalisi**, Yorba Linda, CA  
(US)

(73) Assignee: **Skybell Technologies, Inc.**, Irvine, CA  
(US)

(\*\*) Term: **14 Years**

(21) Appl. No.: **29/515,774**

(22) Filed: **Jan. 27, 2015**

**Related U.S. Application Data**

(63) Continuation of application No. 29/499,800, filed on Aug. 19, 2014, now Pat. No. Des. 729,678, and a continuation-in-part of application No. 14/492,809, filed on Sep. 22, 2014, now Pat. No. 9,065,987, which

(Continued)

(51) **LOC (10) Cl.** ..... **16-01**

(52) **U.S. Cl.**  
USPC ..... **D16/203; D10/118.2**

(58) **Field of Classification Search**  
USPC ..... D16/200, 202–206, 218, 219, 242;  
D10/106.2, 106.3, 106.5, 118.1, 118.2;  
348/143, 148, 151, 373–376; 396/419,  
396/427, 535, 539–541  
CPC ..... G03B 17/02; G03B 19/04; G03B 17/56;  
G03B 17/04; G03B 15/03; H04N 5/2251;  
H04N 5/2252; H04N 5/2253; H04N 5/2254;  
H04N 7/181; H04N 7/183; H04N 7/18;  
G08B 13/1963; G08B 13/19619; G08B  
13/19632

See application file for complete search history.

(56) **References Cited**

**U.S. PATENT DOCUMENTS**

D283,130 S 3/1986 Boenning

D297,222 S 8/1988 Rauch  
D371,086 S 6/1996 Collins  
D381,638 S 7/1997 Kruse

(Continued)

**OTHER PUBLICATIONS**

MySkyBell.com (later SkyBell.com)—Downloaded on Nov. 18, 2013 from <http://www.myskybell.com>.

(Continued)

*Primary Examiner* — Adir Aronovich  
*Assistant Examiner* — Ramzi Almatrahi

(57) **CLAIM**

The ornamental design for a video camera, as shown and described.

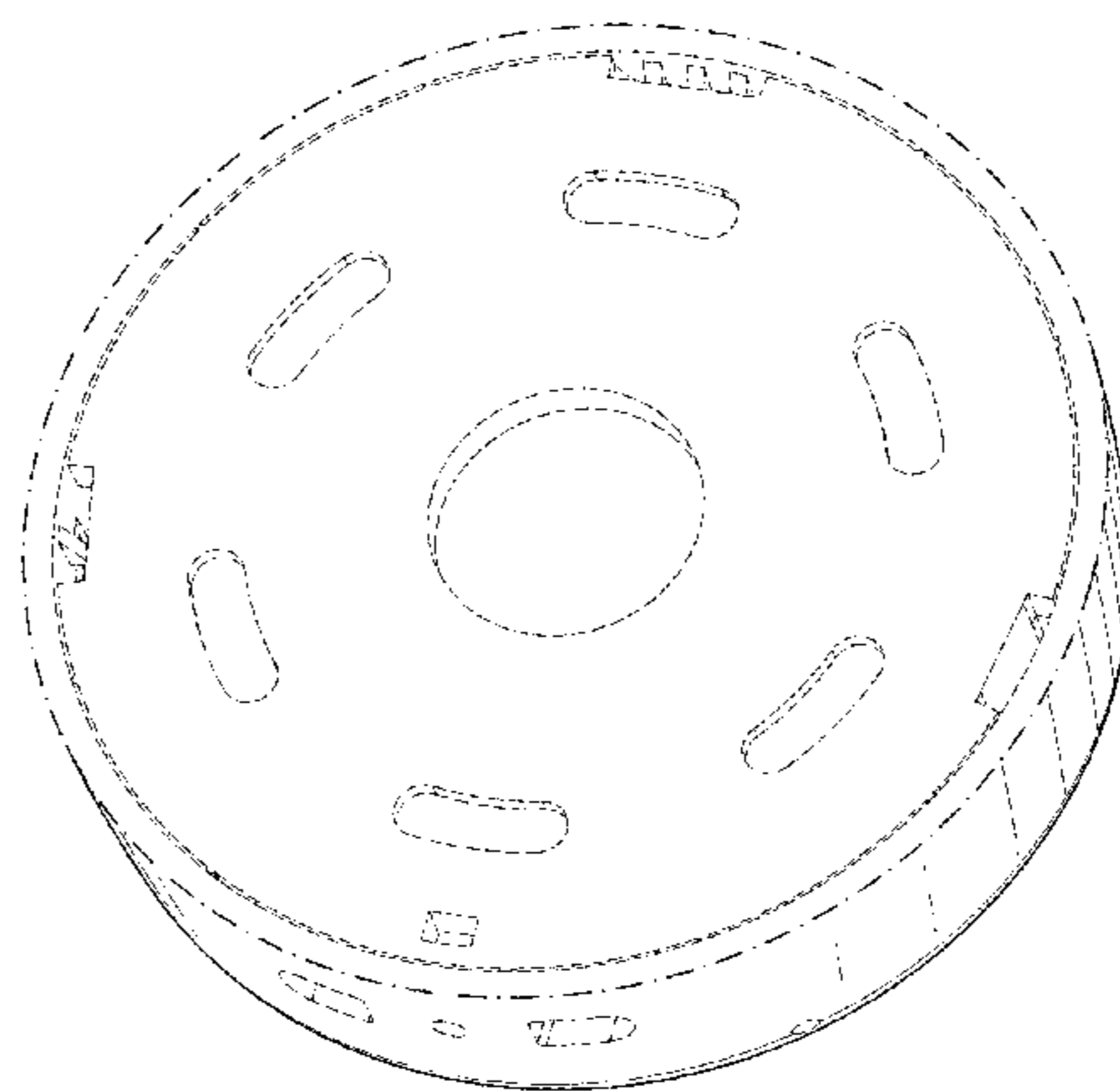
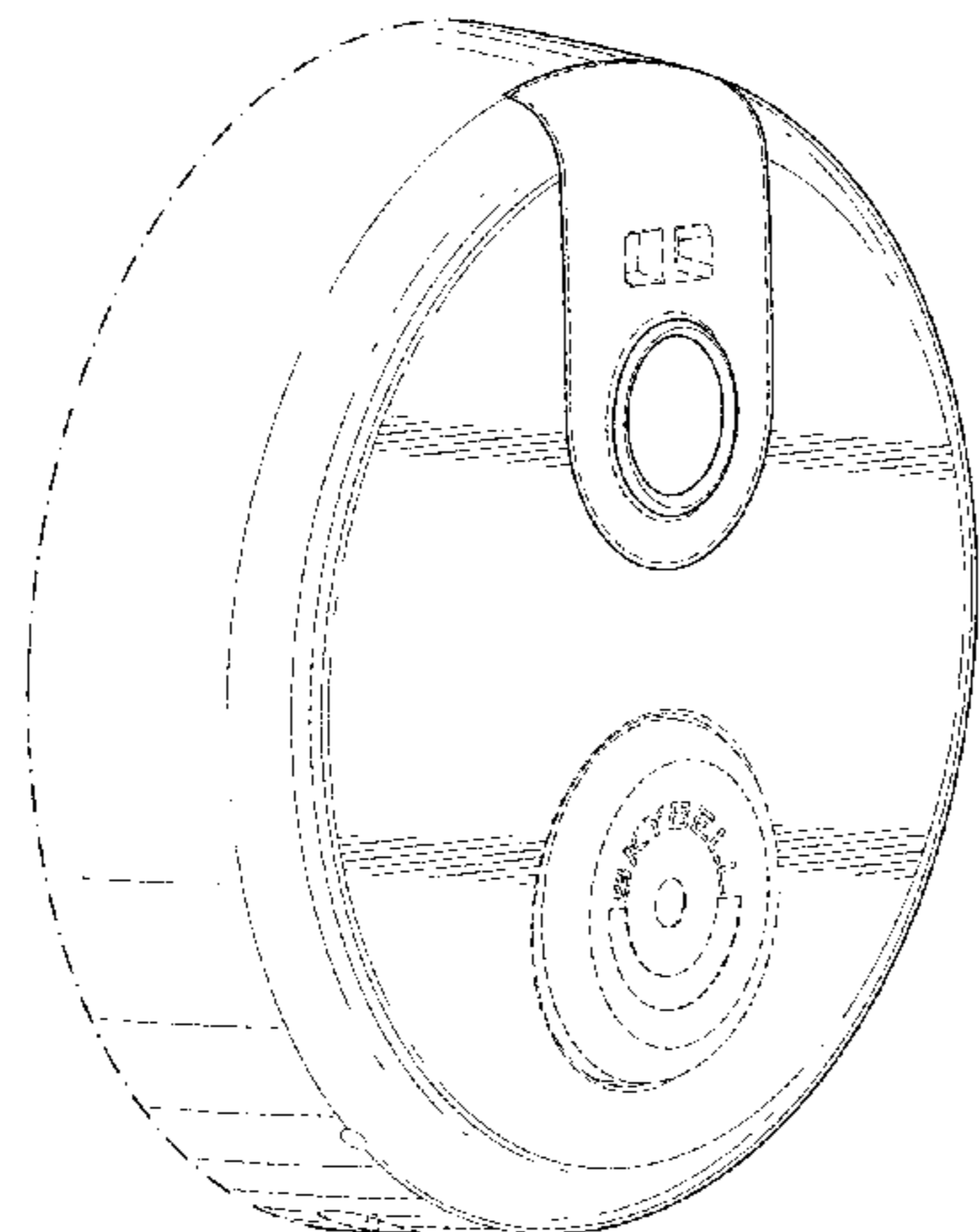
**DESCRIPTION**

FIG. 1 is a top, front and left side perspective view of a video camera embodying the new design;  
FIG. 2 is a bottom, rear and left side perspective view thereof;  
FIG. 3 is a front elevation view thereof;  
FIG. 4 is a rear elevation view thereof;  
FIG. 5 is a left side elevation view thereof;  
FIG. 6 is a right side elevation view thereof;  
FIG. 7 is a top plan view thereof; and,  
FIG. 8 is a bottom plan view thereof.

The broken lines depict portions of a video camera in which the design is embodied and form no part of the claimed design. FIG. 3 shows a first circular broken line. The first circular broken line is surrounded by a “U-shaped” broken line. The area located outside of the first circular broken line and located inside of the “U-shaped” broken line forms no part of the claimed design. As well, the dash-dot-dash lines denote the boundary of the claim and form no part of the claimed design.

The “SKYBELL” mark shown in FIGS. 1 and 3 is a registered trademark of SkyBell Technologies, Inc. The “SKYBELL” mark forms no part of the claimed design.

**1 Claim, 6 Drawing Sheets**



**Related U.S. Application Data**

is a continuation-in-part of application No. 14/275,811, filed on May 12, 2014, now Pat. No. 8,872,915, which is a continuation-in-part of application No. 14/142,839, filed on Dec. 28, 2013, now Pat. No. 8,842,180, which is a continuation-in-part of application No. 14/098,772, filed on Dec. 6, 2013, now Pat. No. 8,780,201.

(56)

**References Cited**

U.S. PATENT DOCUMENTS

D404,673 S	1/1999	Gordon	
D422,521 S	4/2000	Morrow	
D442,617 S	5/2001	Ohmori	
D455,767 S *	4/2002	Tsang .....	D16/202
D455,768 S *	4/2002	Tsang .....	D16/202
D480,741 S *	10/2003	Berger .....	D16/202
D500,751 S	1/2005	Yukikado	
D519,100 S	4/2006	Shioya	
D522,490 S	6/2006	Yukikado	
D525,963 S	8/2006	Yukikado	
7,113,578 B2	9/2006	Unger	
D531,160 S	10/2006	Yukikado	
D534,566 S *	1/2007	Ishii .....	D14/168
D537,095 S *	2/2007	Alden .....	D16/202
D562,306 S	2/2008	Jeong	
D575,316 S *	8/2008	Liu .....	D16/202
D577,301 S	9/2008	Johnson	
D588,574 S	3/2009	Takahata	
D595,260 S	6/2009	Takahata	
D645,071 S	9/2011	Hinkel	
D657,410 S	4/2012	Helaoui	

D660,819 S	5/2012	Chen	
D664,178 S	7/2012	Hinkel	
D677,297 S *	3/2013	Bart .....	D16/203
D679,309 S	4/2013	Park	
D689,536 S	9/2013	Li	
D692,847 S	11/2013	Barley	
D694,305 S *	11/2013	Katori .....	D16/203
D694,306 S	11/2013	Katori	
8,780,201 B1	7/2014	Scalisi	
D710,727 S	8/2014	Siminoff	
D710,728 S	8/2014	Siminoff	
D711,275 S	8/2014	Scalisi	
D719,205 S *	12/2014	Matsumoto .....	D16/202
D719,994 S	12/2014	Wang	
D721,755 S	1/2015	Ahman	
D727,769 S	4/2015	Scalisi	
D729,678 S	5/2015	Scalisi	
D729,859 S	5/2015	Shin	
9,058,738 B1	6/2015	Scalisi	
2013/0045763 A1	2/2013	Ruiz	
2014/0125754 A1	5/2014	Haywood	
2015/0022618 A1	1/2015	Siminoff	
2015/0022620 A1	1/2015	Siminoff	
2015/0049191 A1	2/2015	Scalisi	

OTHER PUBLICATIONS

DefenDoor by Glate LLC—Downloaded on Dec. 11, 2014 from <https://www.kickstarter.com/projects/85455040/defendoor-a-home-security-system-that-syncs-with-y>.  
 EyeTalk—Downloaded on May 24, 2013 from <http://www.revolutionaryconceptsinc.com/forhome.html>.  
 August Smart Lock—Downloaded on Oct. 10, 2014 from [www.august.com](http://www.august.com).

\* cited by examiner

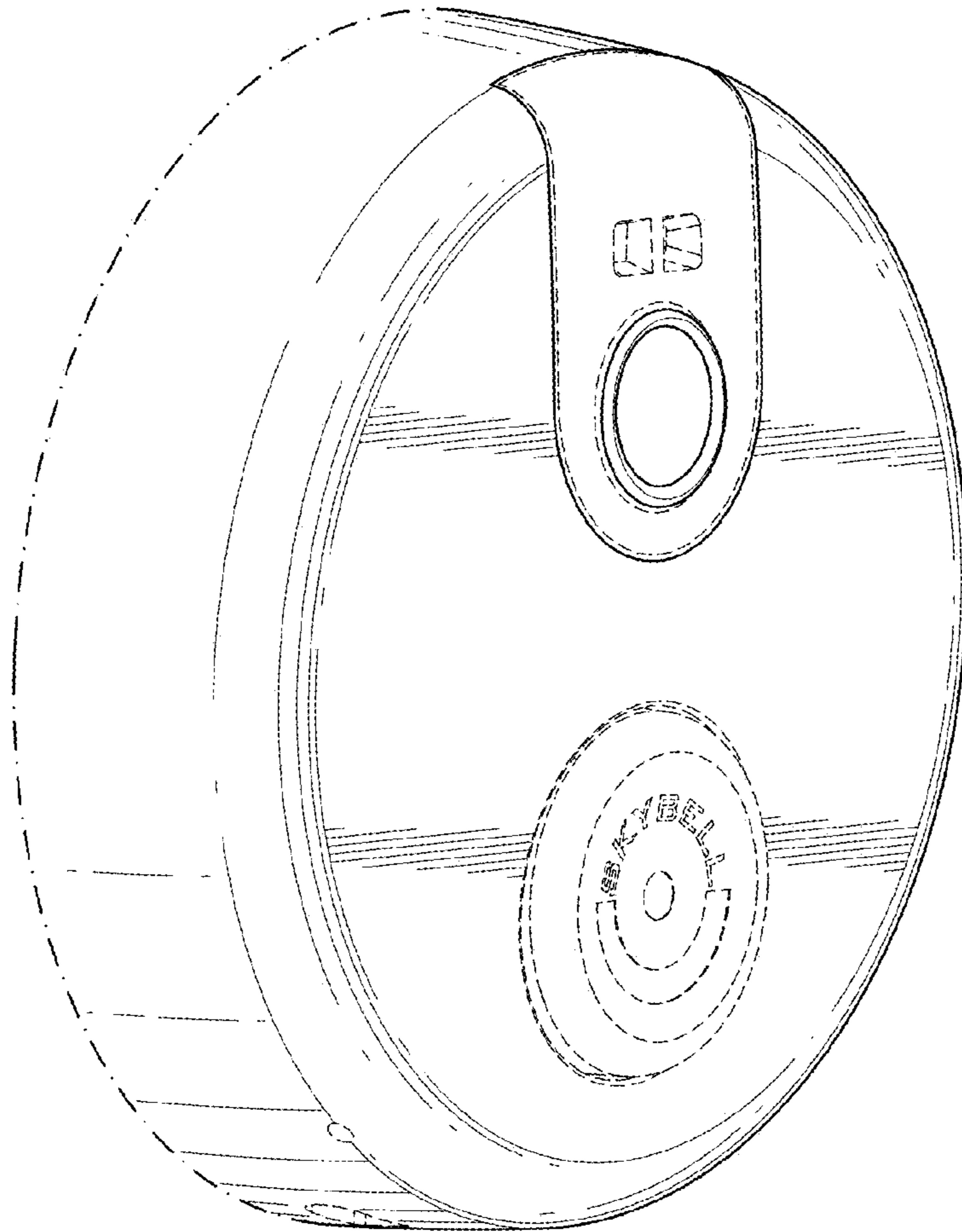


FIG. 1

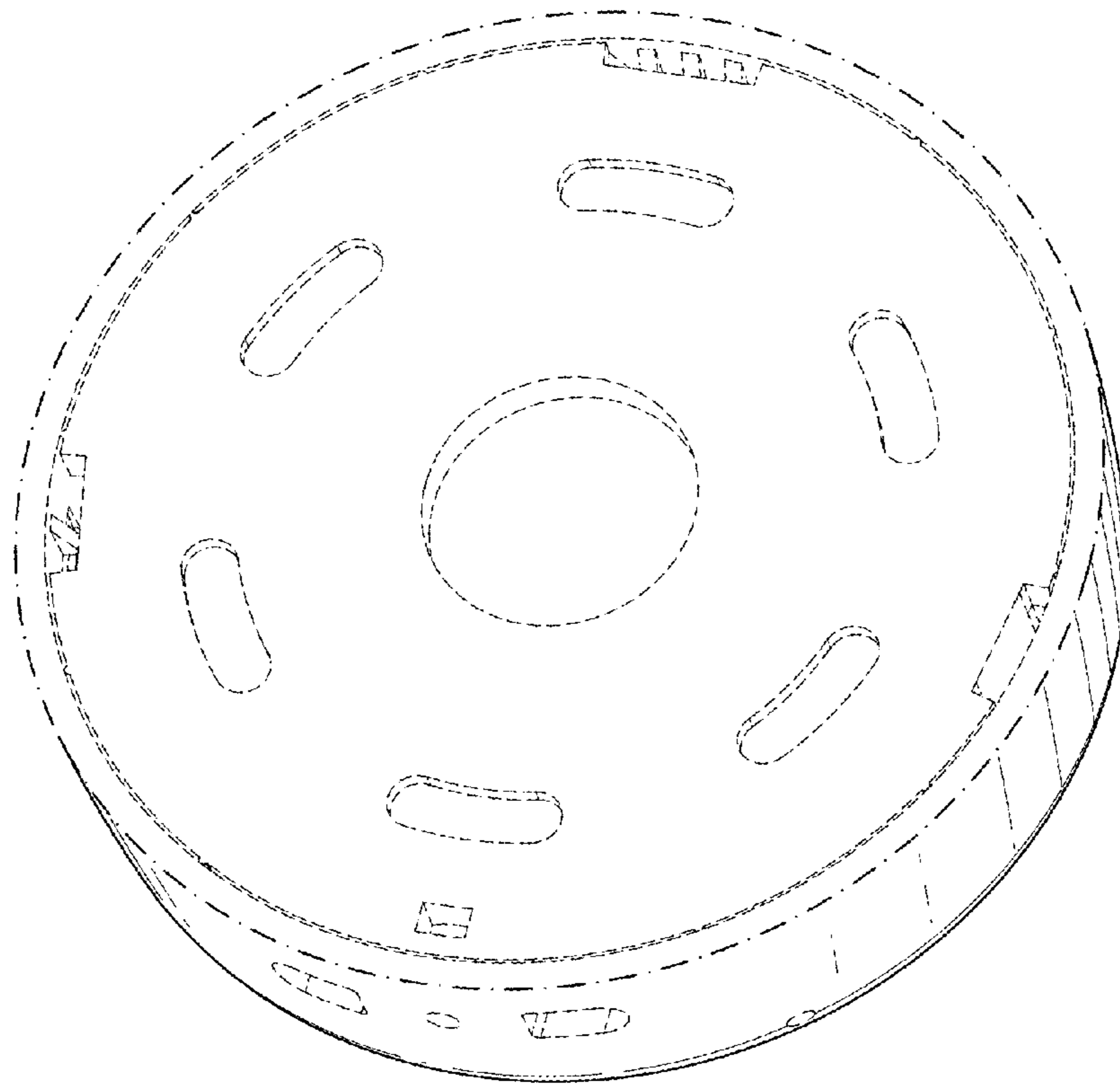


FIG. 2



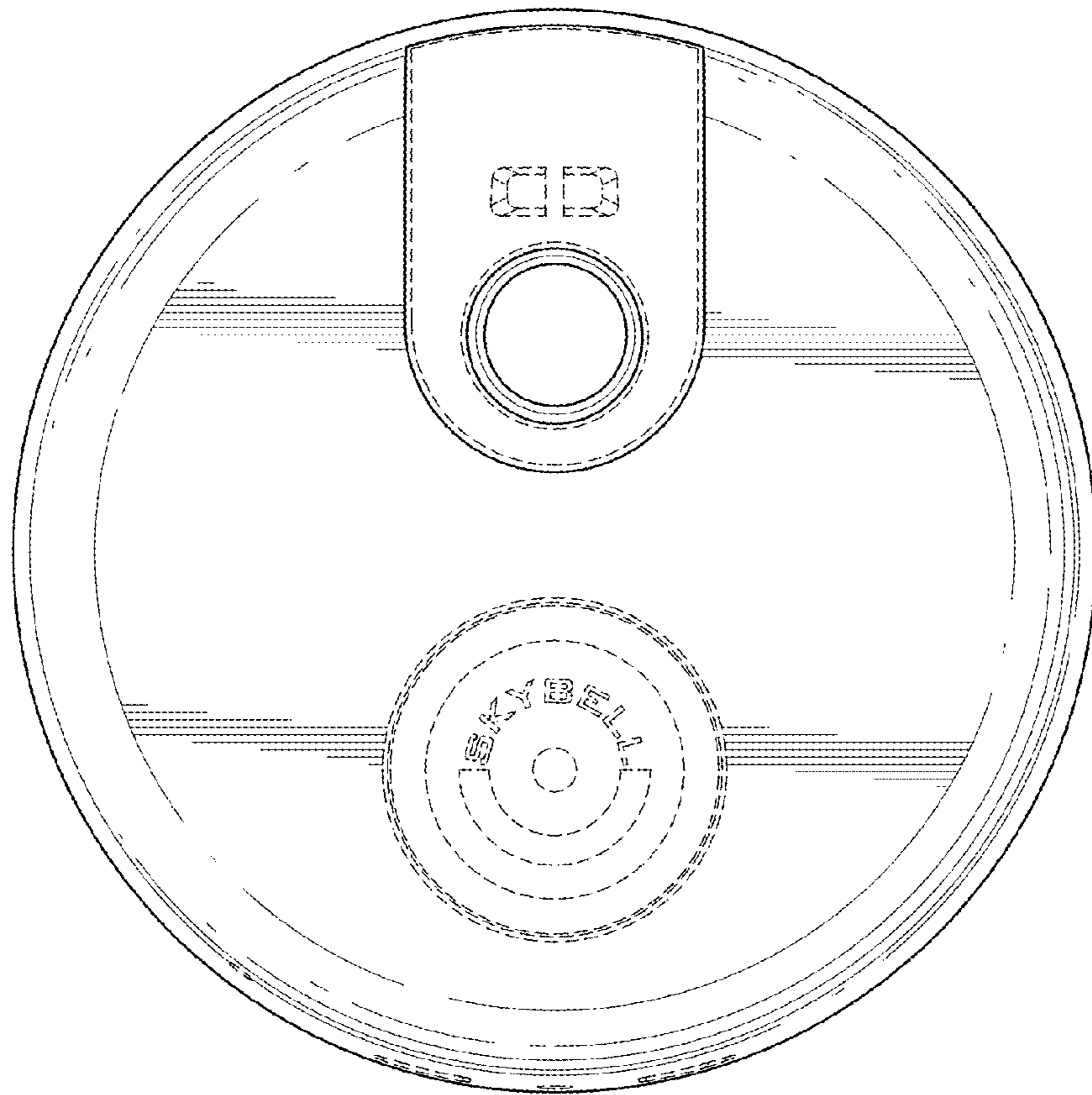


FIG. 3

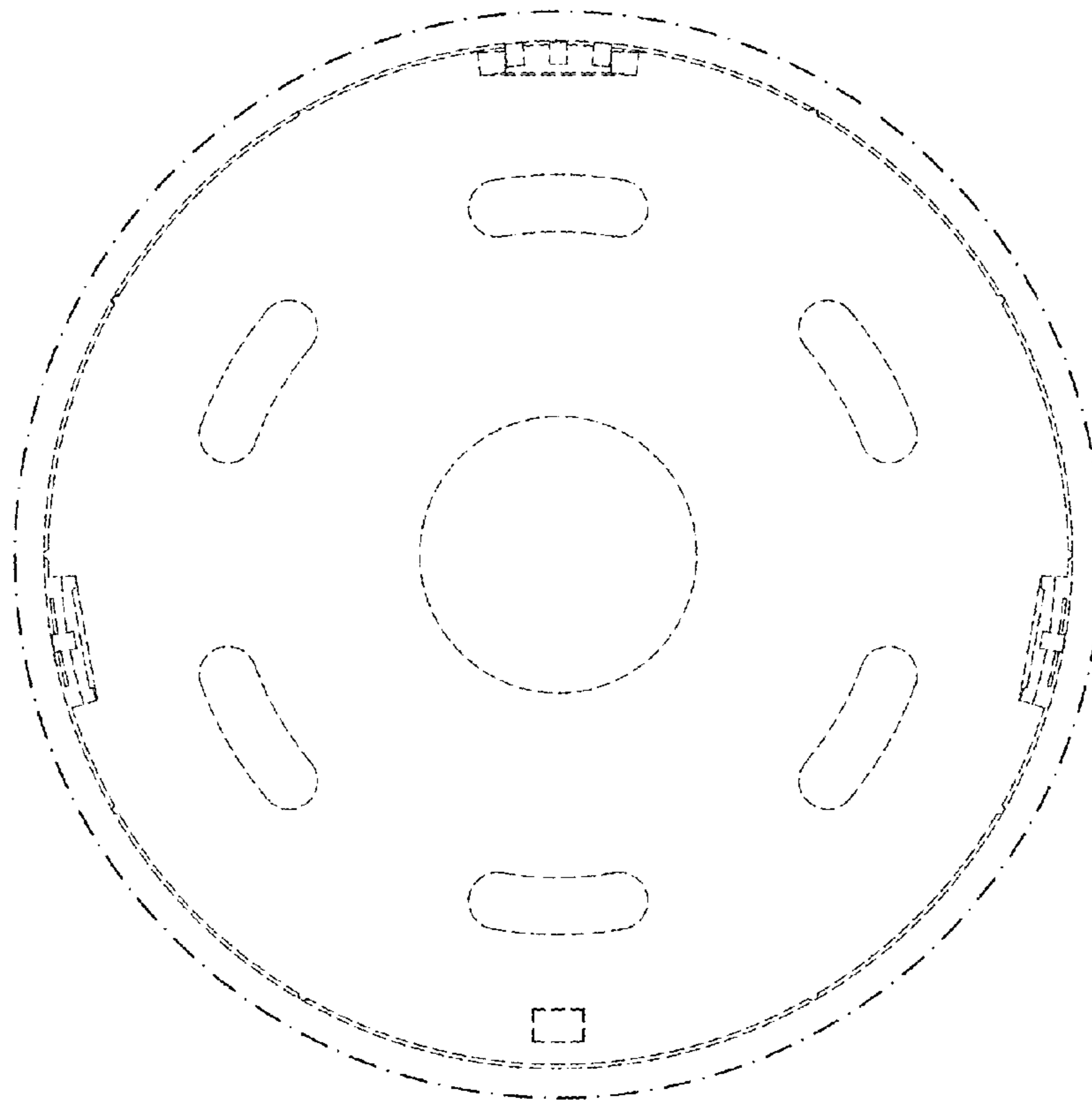


FIG. 4

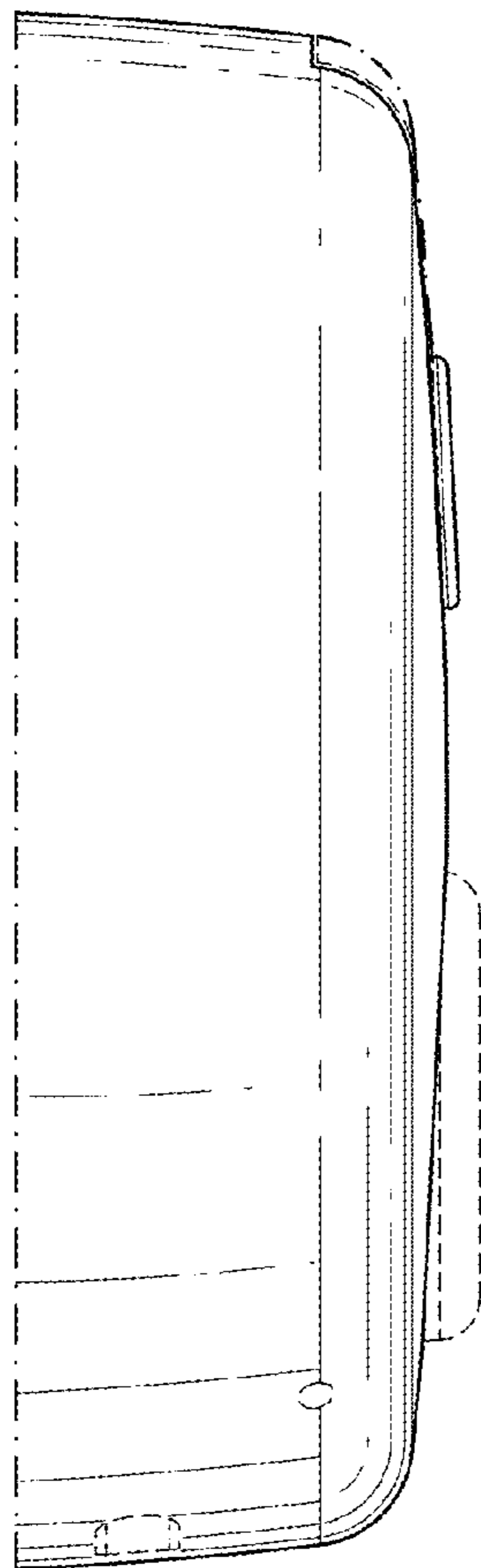


FIG. 5

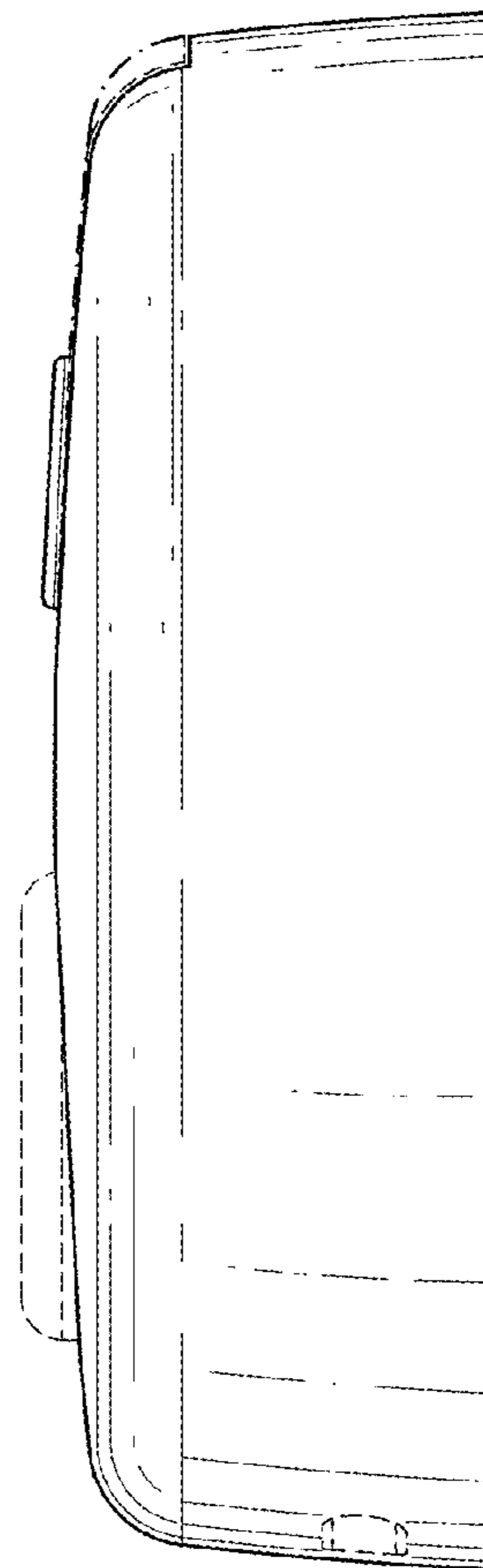


FIG. 6

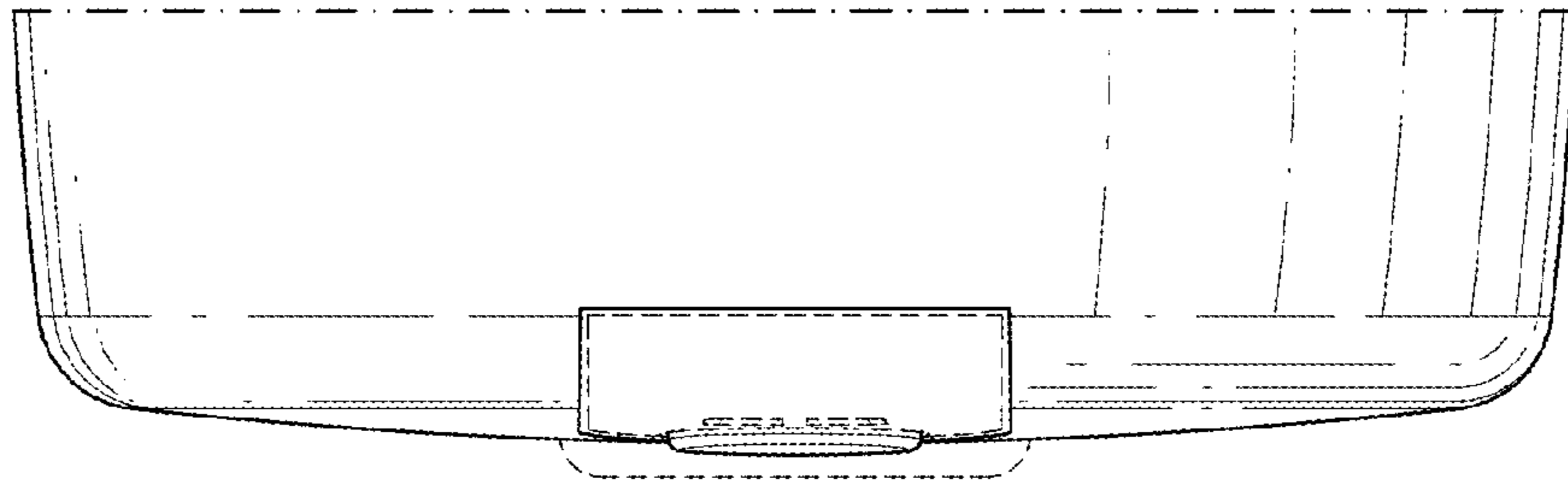


FIG. 7

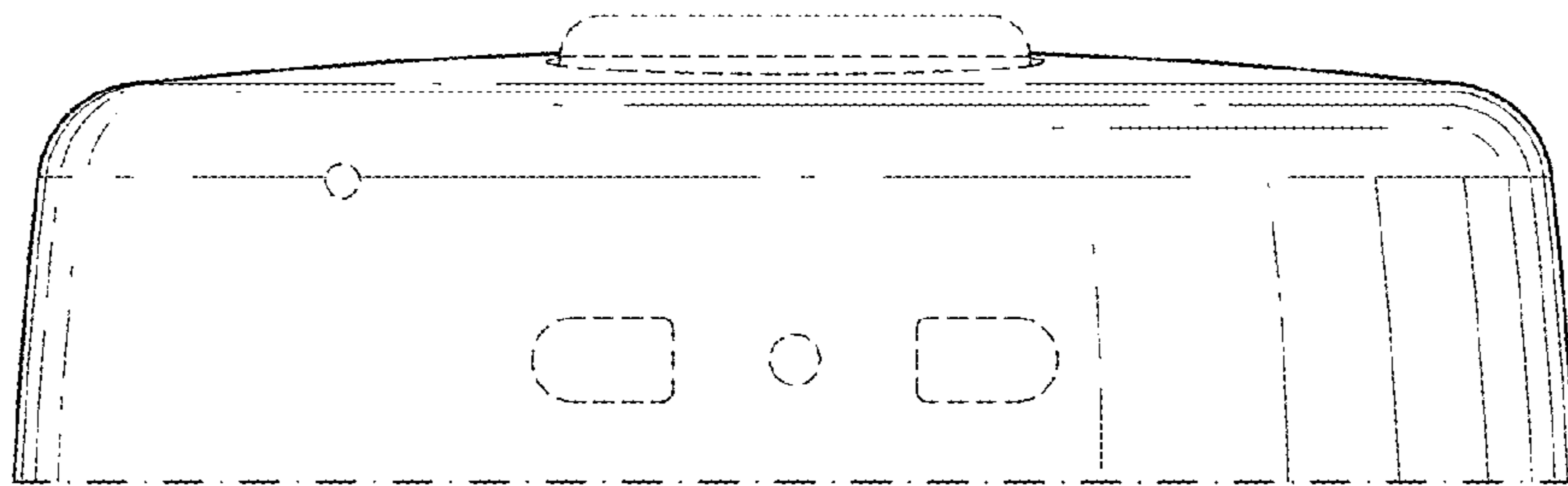


FIG. 8