



US00D747383S

(12) **United States Design Patent**
Li

(10) **Patent No.:** **US D747,383 S**
(45) **Date of Patent:** **** Jan. 12, 2016**

- (54) **ALARM SYSTEM WIFI CAMERA**
- (71) Applicant: **Chen Li**, Fuzhou (CN)
- (72) Inventor: **Chen Li**, Fuzhou (CN)
- (73) Assignee: **CHAUNGO SECURITY TECHNOLOGY CORPORATION**, Fuzhou (CN)
- (**) Term: **14 Years**
- (21) Appl. No.: **29/506,974**
- (22) Filed: **Oct. 22, 2014**
- (51) **LOC (10) Cl.** **16-01**
- (52) **U.S. Cl.**
USPC **D16/203**
- (58) **Field of Classification Search**
USPC D16/200, 201, 202, 203, 208, 214, 242;
348/143, 373-374; 396/427, 535-541
CPC . H04N 5/2251; H04N 5/2252; H04N 5/2253;
H04N 5/2254
See application file for complete search history.

- (56) **References Cited**
U.S. PATENT DOCUMENTS
D365,834 S * 1/1996 Dozier D16/203
D425,089 S * 5/2000 Ting D16/218

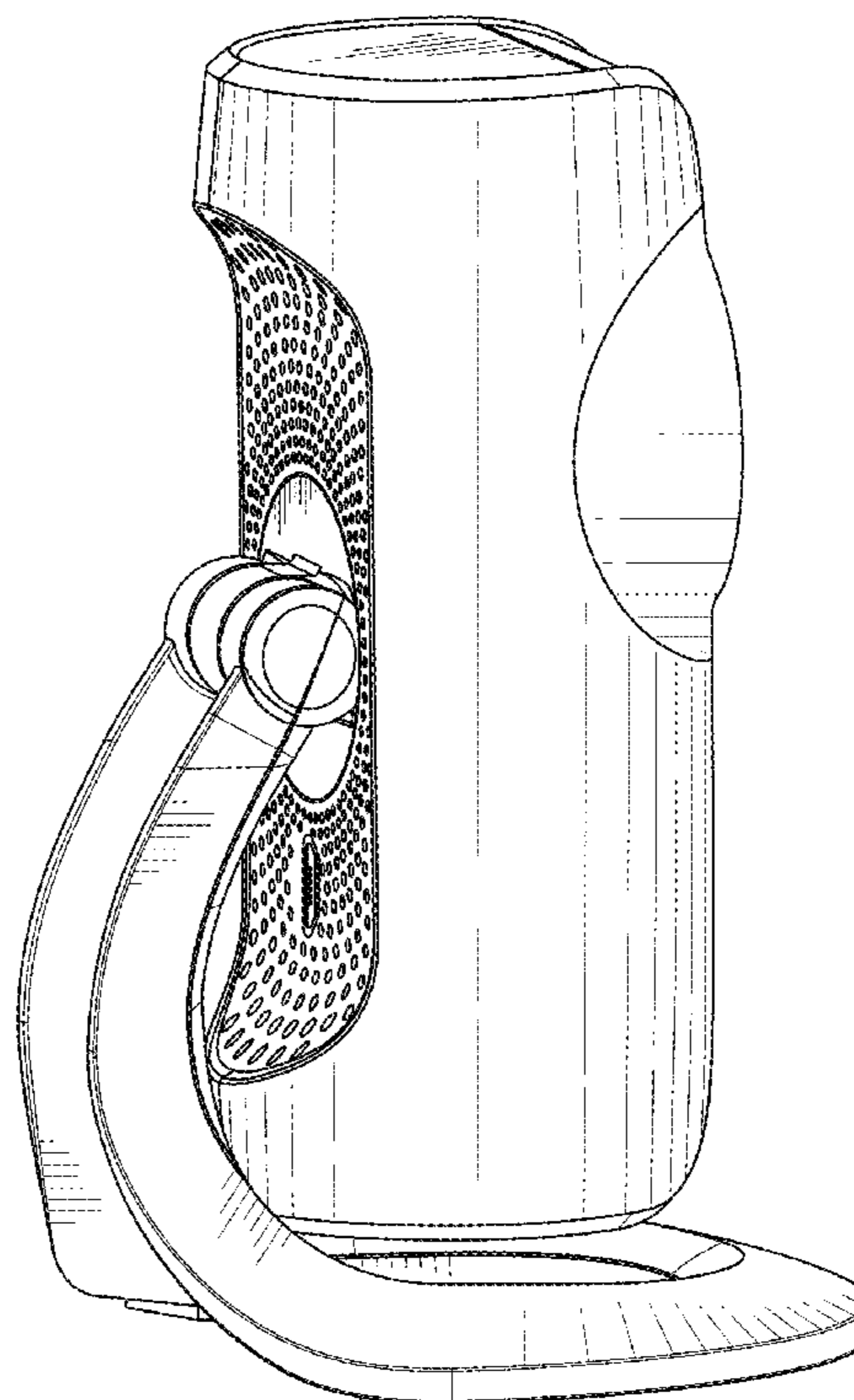
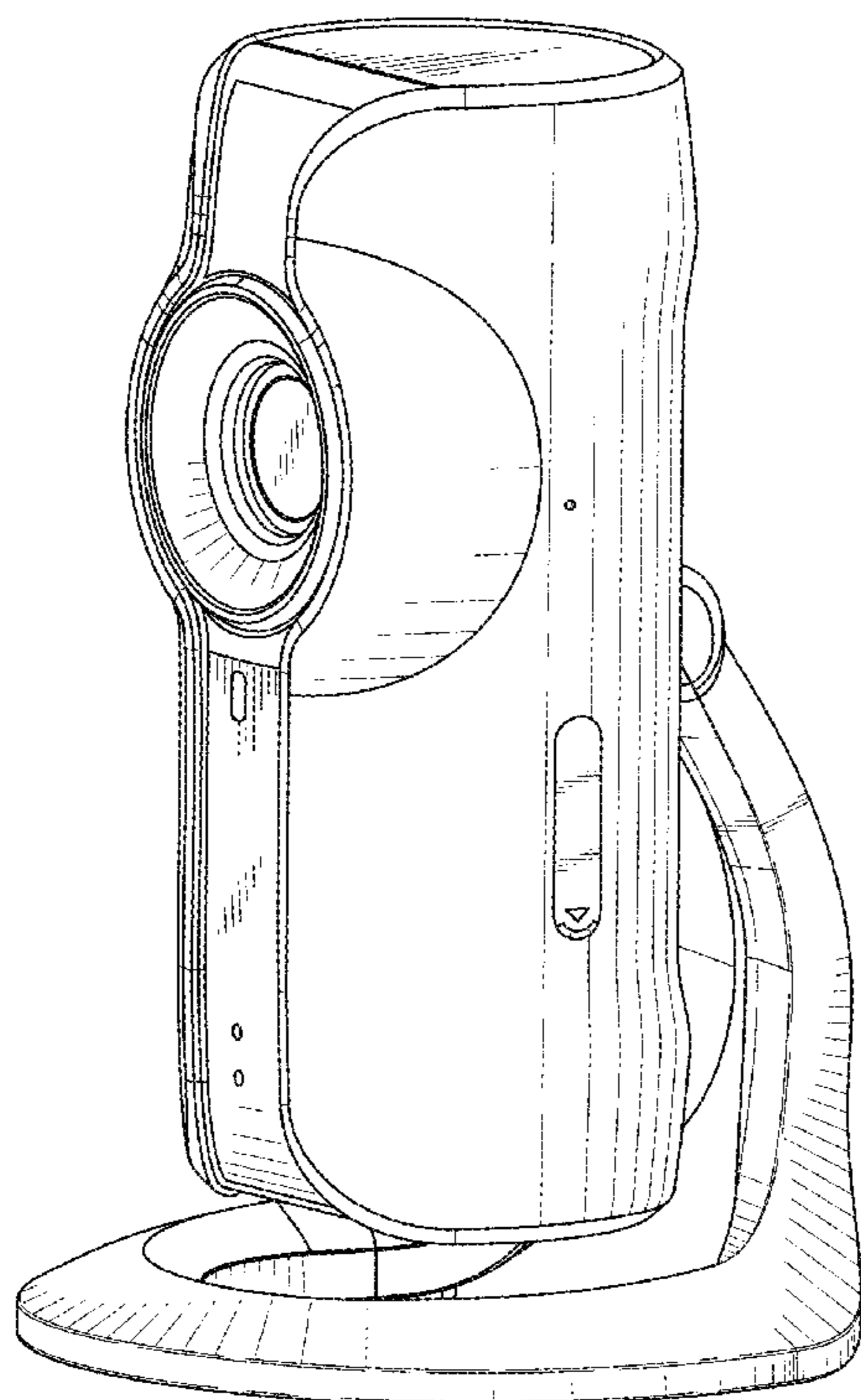
- D456,829 S * 5/2002 Munroe D16/201
- 6,842,193 B2 * 1/2005 Shimose H04N 5/2252
348/373
- D534,938 S * 1/2007 Beasley D16/208
- D715,300 S * 10/2014 Shen D14/423
- D728,655 S * 5/2015 Daniel D16/203
- D733,207 S * 6/2015 Thomas D16/203

* cited by examiner
Primary Examiner — Adir Aronovich
(74) *Attorney, Agent, or Firm* — QuickPatents; Kevin Prince

(57) **CLAIM**
I claim the ornamental design for an alarm system WiFi camera, as shown and described.

DESCRIPTION
FIG. 1 is a front and right side perspective view of an alarm system WiFi camera showing my new design;
FIG. 2 is a front elevational view thereof;
FIG. 3 is a rear elevational view thereof;
FIG. 4 is a right-side elevational view thereof;
FIG. 5 is a left-side elevational view thereof;
FIG. 6 is a top plan view thereof;
FIG. 7 is a bottom plan view thereof; and,
FIG. 8 is rear and left side perspective view thereof.

1 Claim, 7 Drawing Sheets



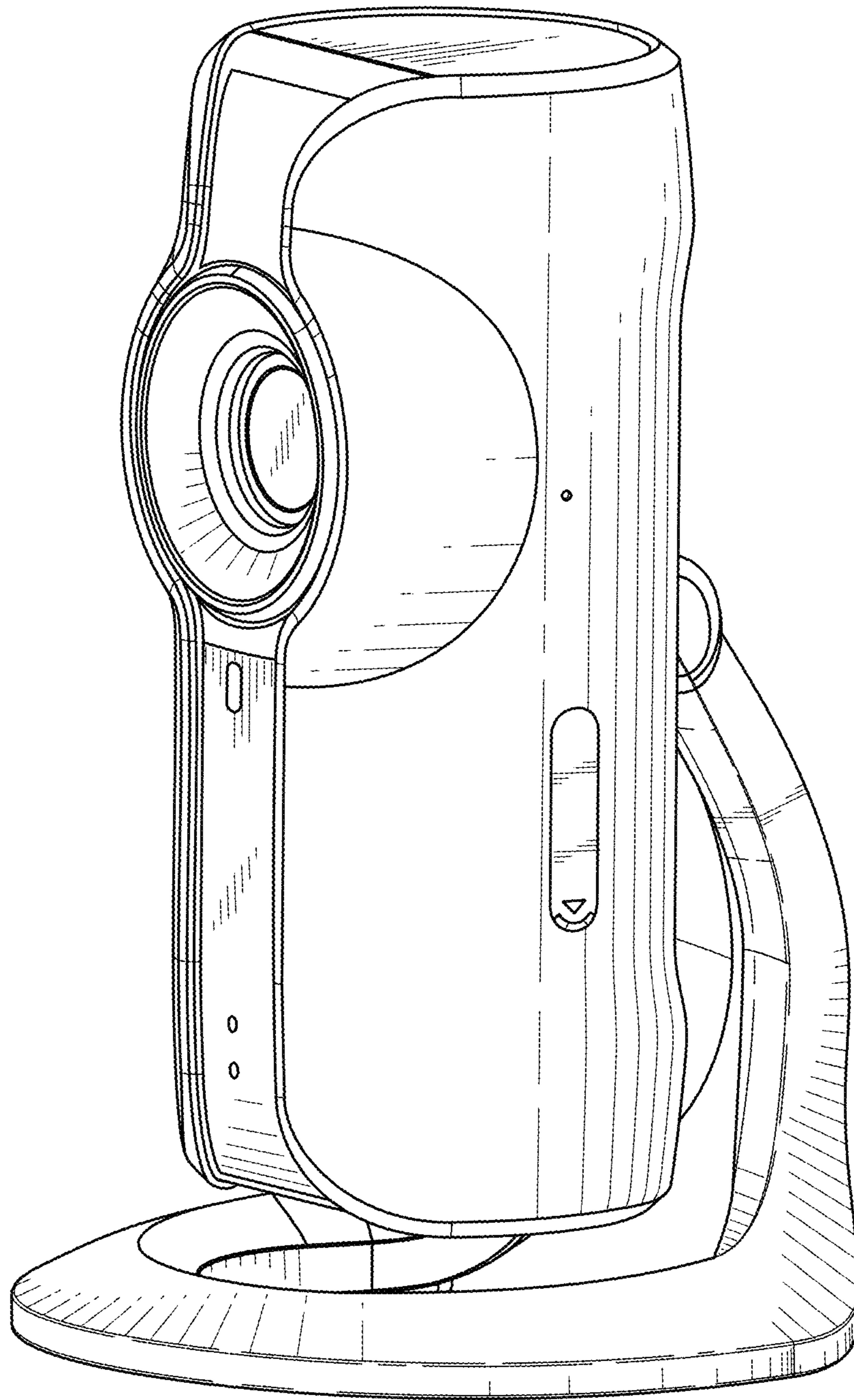


FIG. 1

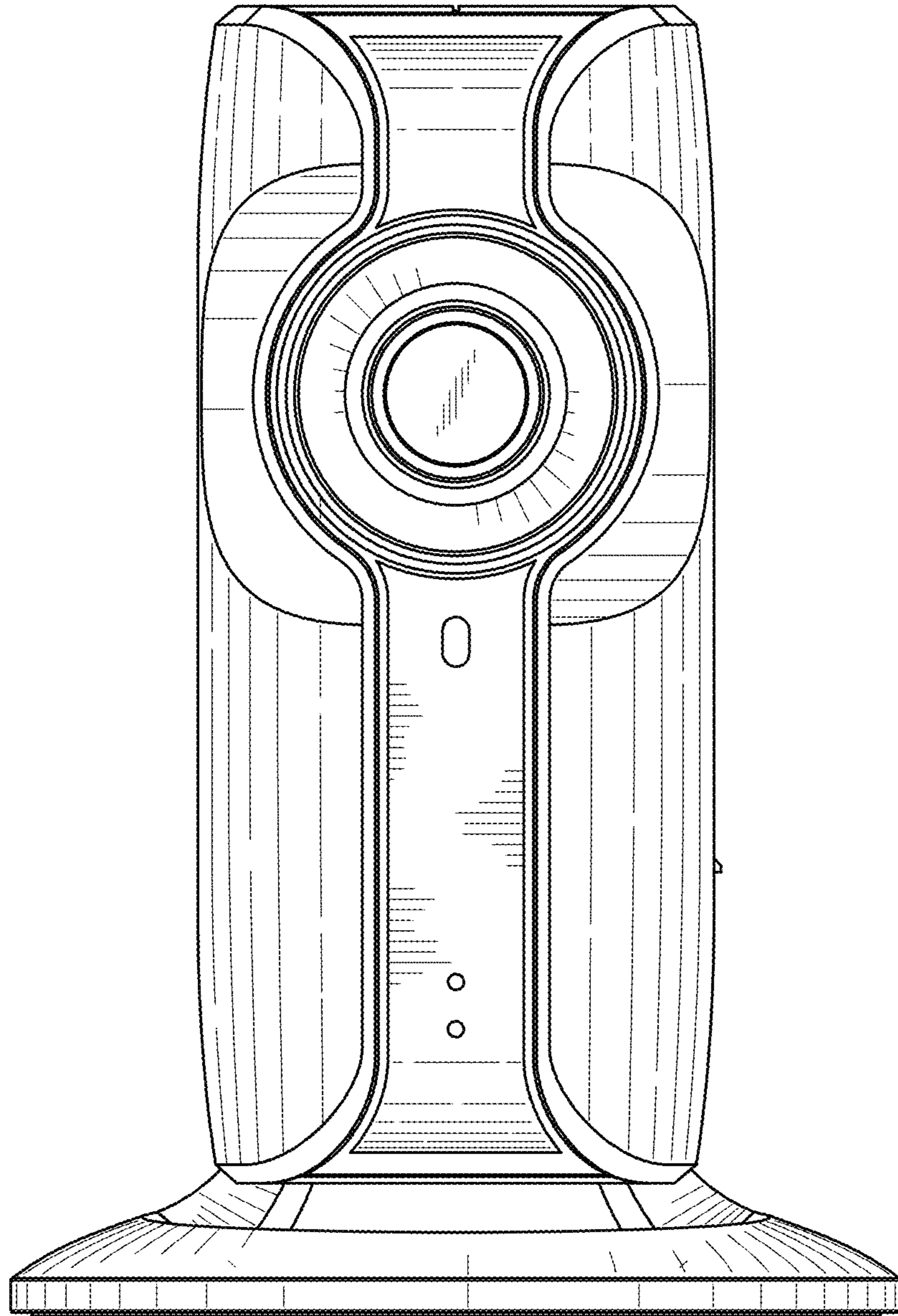


FIG. 2

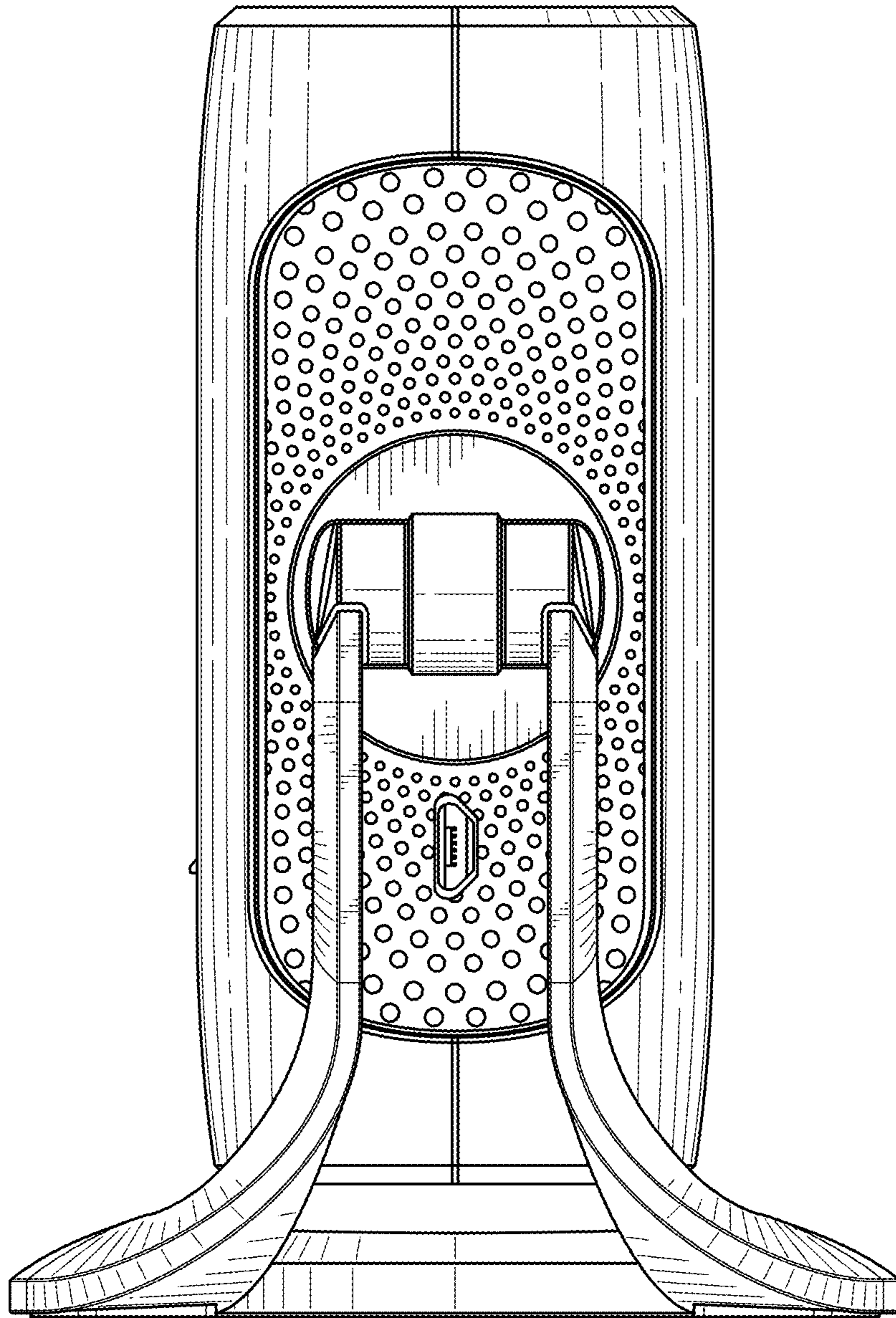


FIG. 3

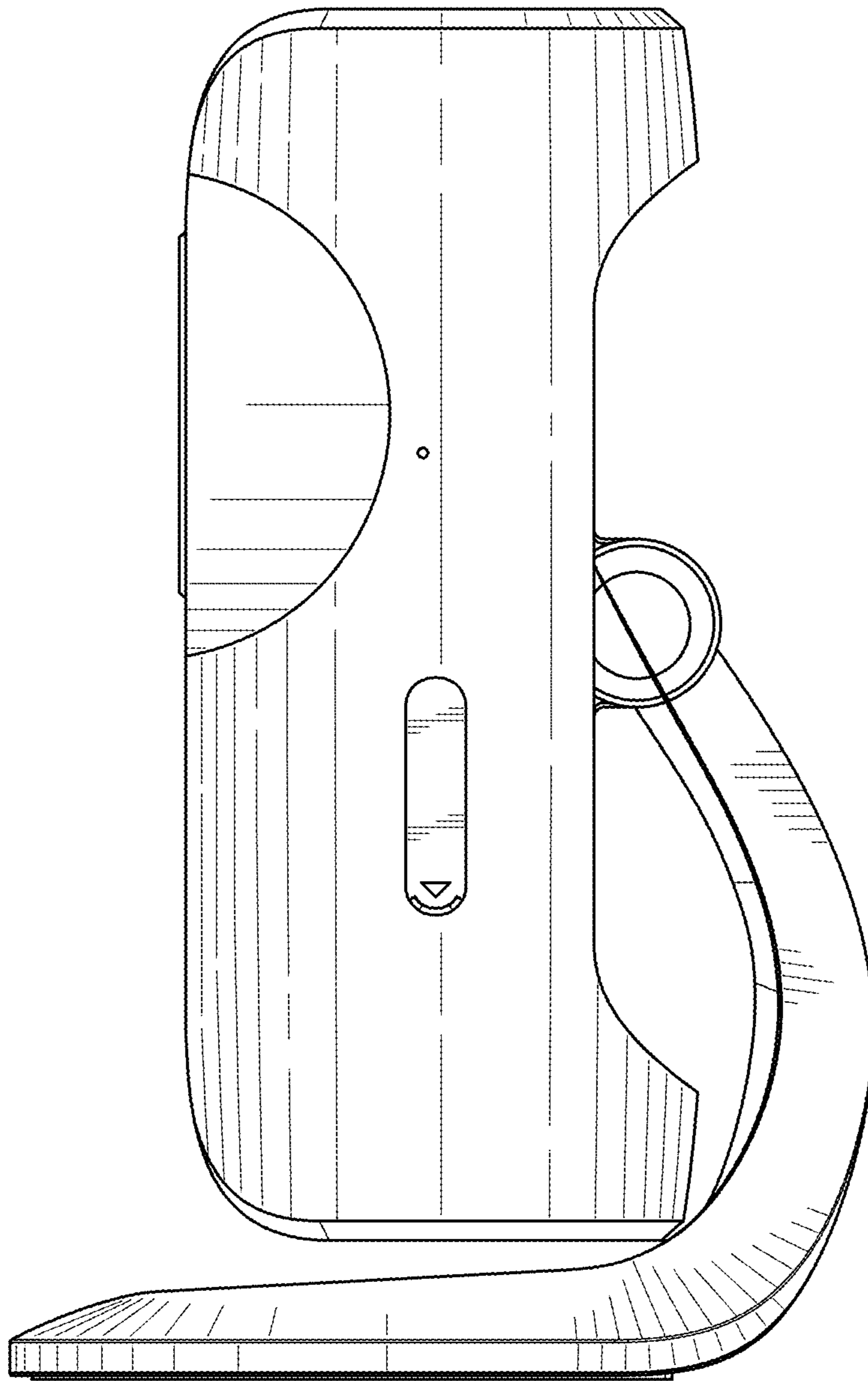


FIG. 4

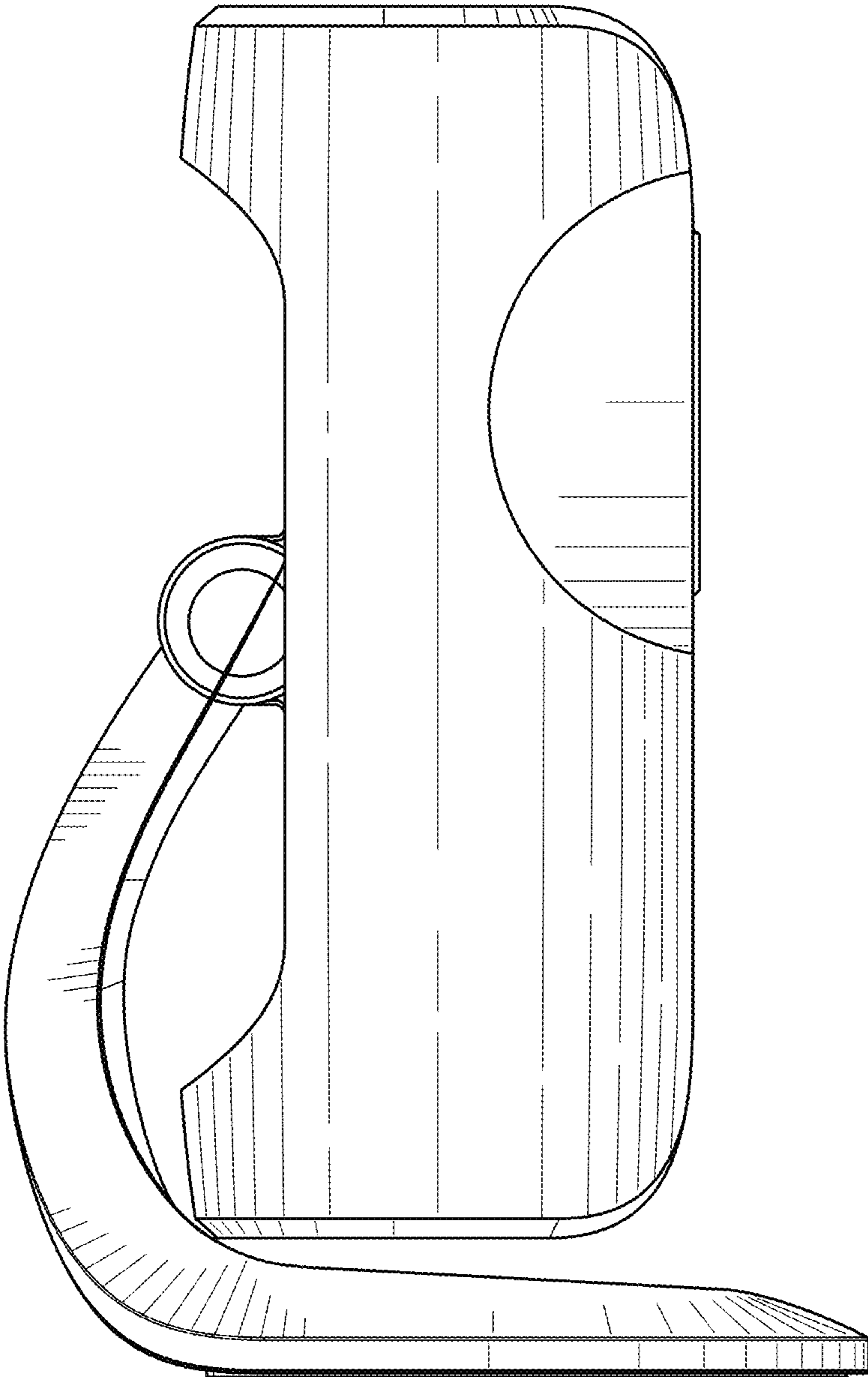


FIG. 5

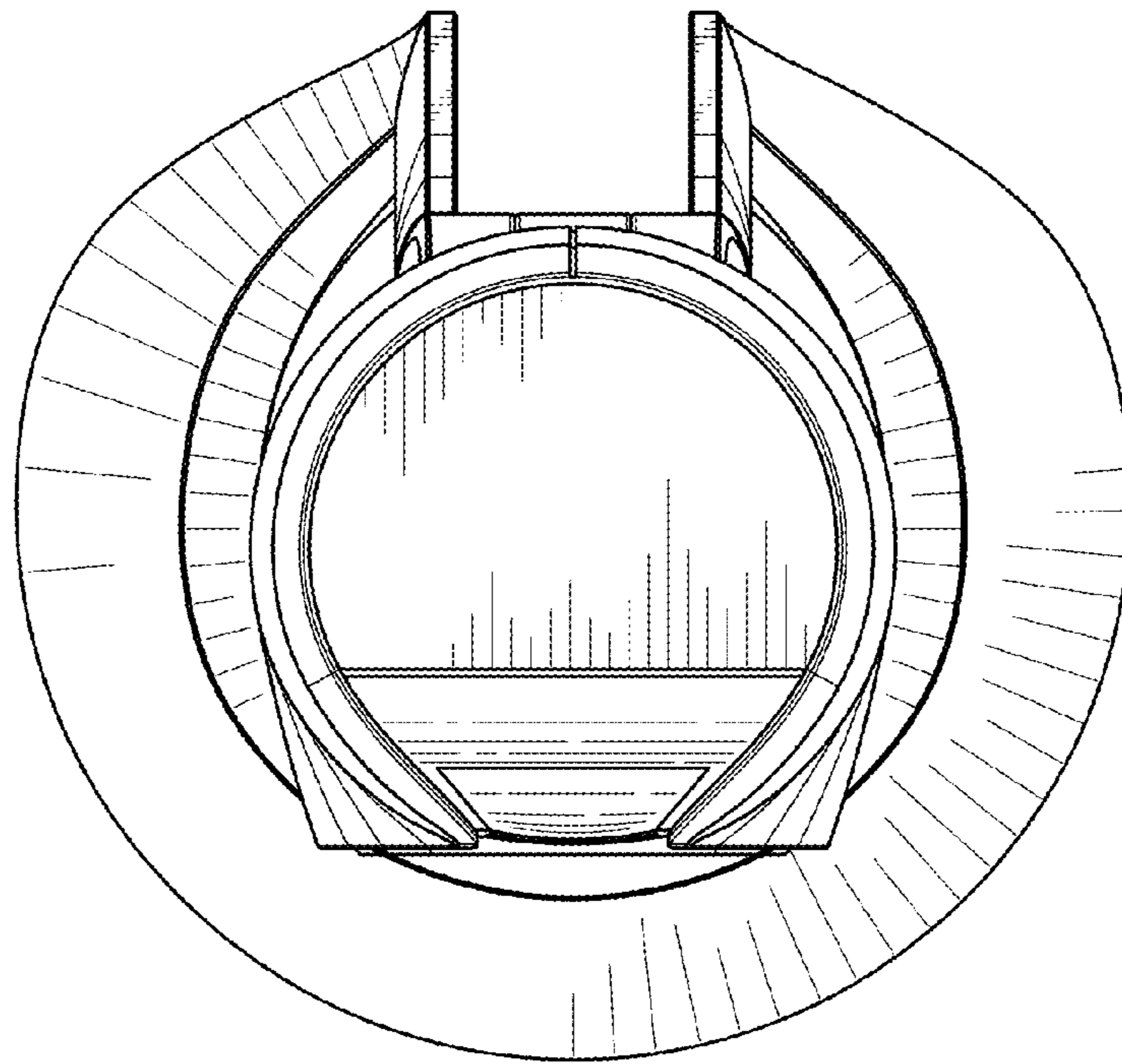


FIG. 6

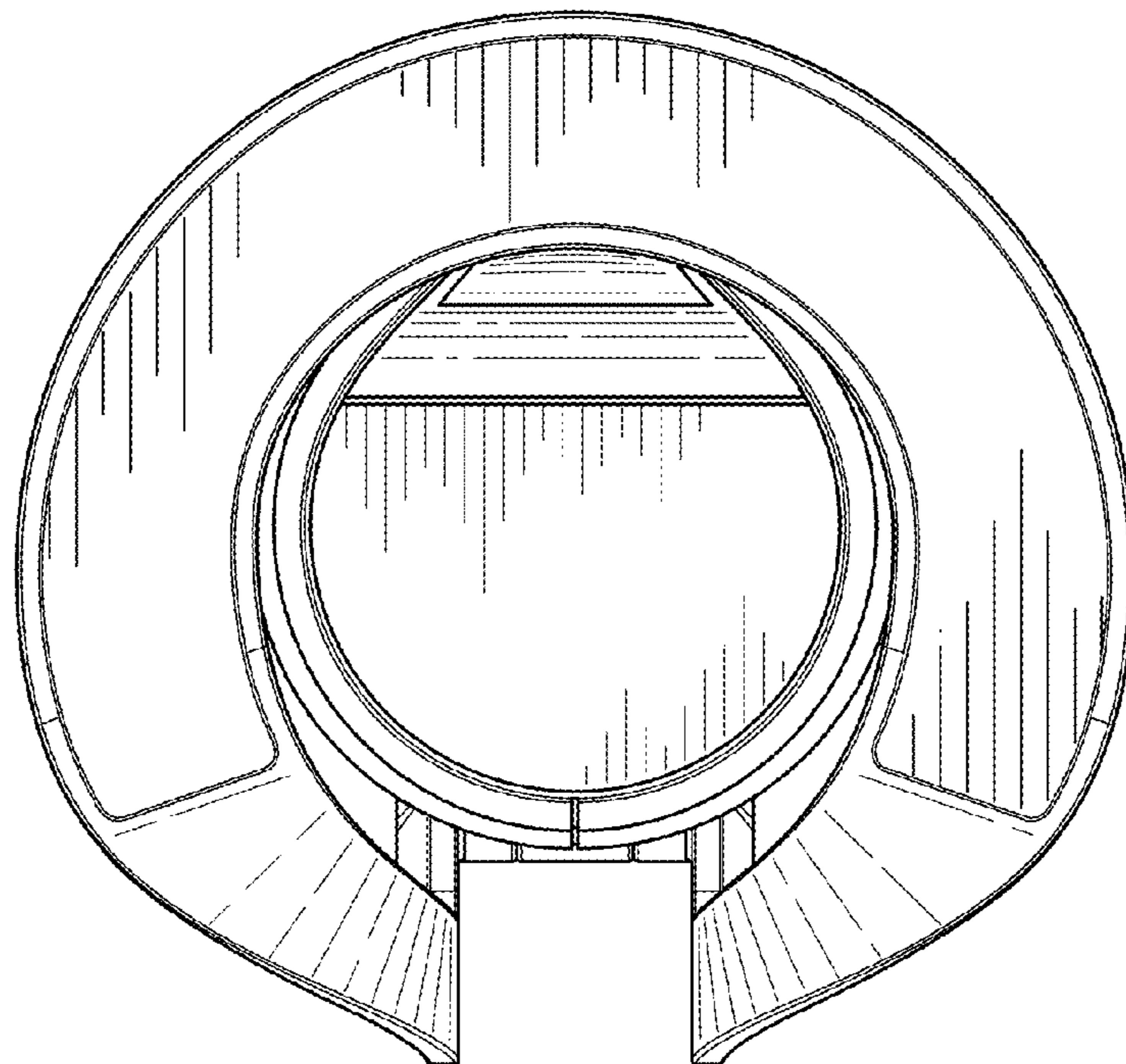


FIG. 7

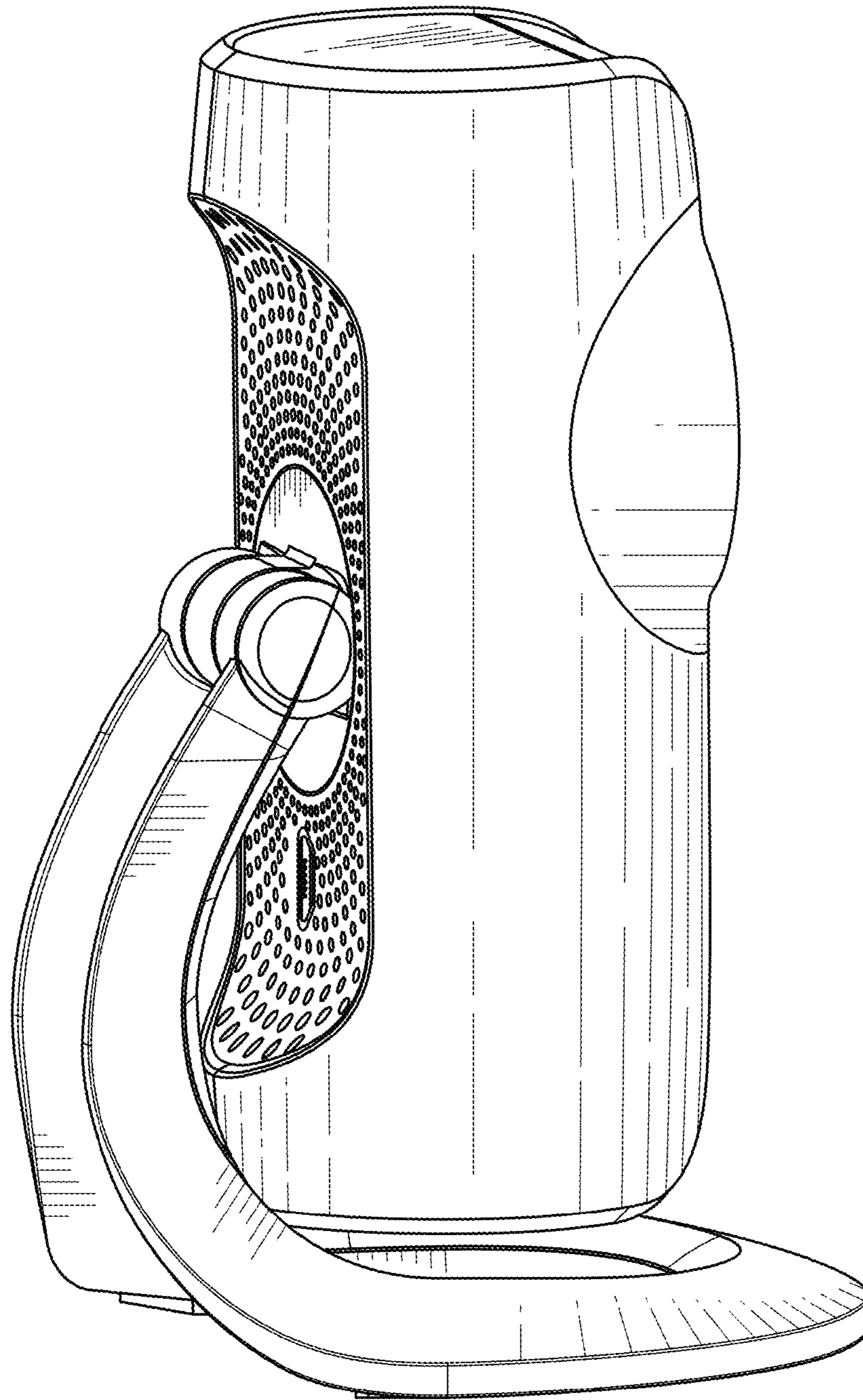


FIG. 8