



US00D747380S

(12) **United States Design Patent**
Fish, Jr. et al.

(10) **Patent No.:** **US D747,380 S**
(45) **Date of Patent:** **** Jan. 12, 2016**

(54) **REARVIEW ASSEMBLY**
(71) Applicant: **Gentex Corporation**, Zeeland, MI (US)
(72) Inventors: **Richard T. Fish, Jr.**, Hudsonville, MI (US); **Mark R. Roth**, Grand Rapids, MI (US)
(73) Assignee: **GENTEX CORPORATION**, Zeeland, MI (US)

(**) Term: **14 Years**

(21) Appl. No.: **29/517,289**

(22) Filed: **Feb. 11, 2015**

(51) **LOC (10) Cl.** **16-01**

(52) **U.S. Cl.**
USPC **D16/202**; D14/230

(58) **Field of Classification Search**
USPC D10/104.1, 109.1, 110, 111, 114.3, D10/114.4, 114.5, 121; D12/187, 188, 190, D12/191, 192, 193, 196, 223, 400, 415; D14/125, 126, 127, 129, 157, 167, D14/203.1, 203.8, 204, 209, 209.1, 210, D14/214, 215, 216, 217, 219, 224, 224.1, D14/230, 238, 238.1, 239, 257, 258, 299, D14/496; D16/202, 203, 208, 210, 215, D16/218, 219, 220, 225, 241, 242, 340; 348/148, 837; 396/419
See application file for complete search history.

(56) **References Cited**

U.S. PATENT DOCUMENTS

D283,998 S	5/1986	Tanaka	
4,630,904 A	12/1986	Pastore	
D346,356 S	4/1994	Leu	
D400,481 S	11/1998	Stephens et al.	
D401,200 S	11/1998	Huang	
5,877,897 A *	3/1999	Schofield et al.	359/604
D416,032 S *	11/1999	Bakshi	D16/203
D451,869 S	12/2001	Knapp et al.	
D471,847 S	3/2003	Rumsey et al.	

D489,044 S *	4/2004	Bremenkamp et al.	D14/132
D493,131 S	7/2004	Lawlor et al.	
D493,394 S	7/2004	Lawlor et al.	
D499,678 S	12/2004	Bradley	
6,902,284 B2	6/2005	Hutzel et al.	
D512,003 S *	11/2005	Koide	D12/169
D553,061 S	10/2007	Schmidt et al.	
7,500,794 B1 *	3/2009	Clark	396/427
D664,901 S *	8/2012	Futschik et al.	D12/169
D673,088 S *	12/2012	Thompson	D12/169
2014/0192431 A1	7/2014	Sloterbeek et al.	
2015/0042874 A1 *	2/2015	Takeda	348/374

* cited by examiner

Primary Examiner — Susan Bennett Hattan

Assistant Examiner — Leanne Was

(74) *Attorney, Agent, or Firm* — Price Heneveld LLP; Scott P. Ryan

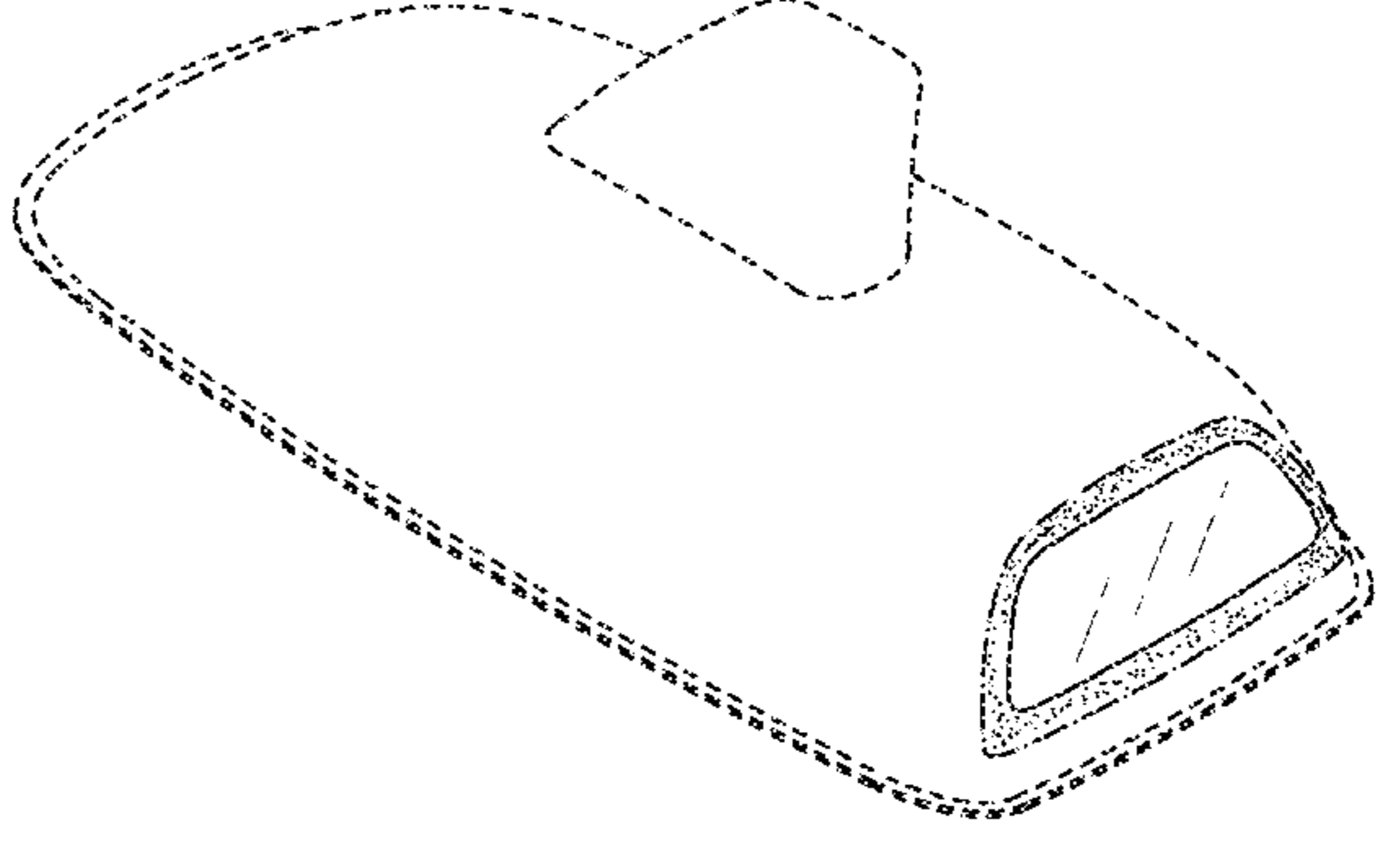
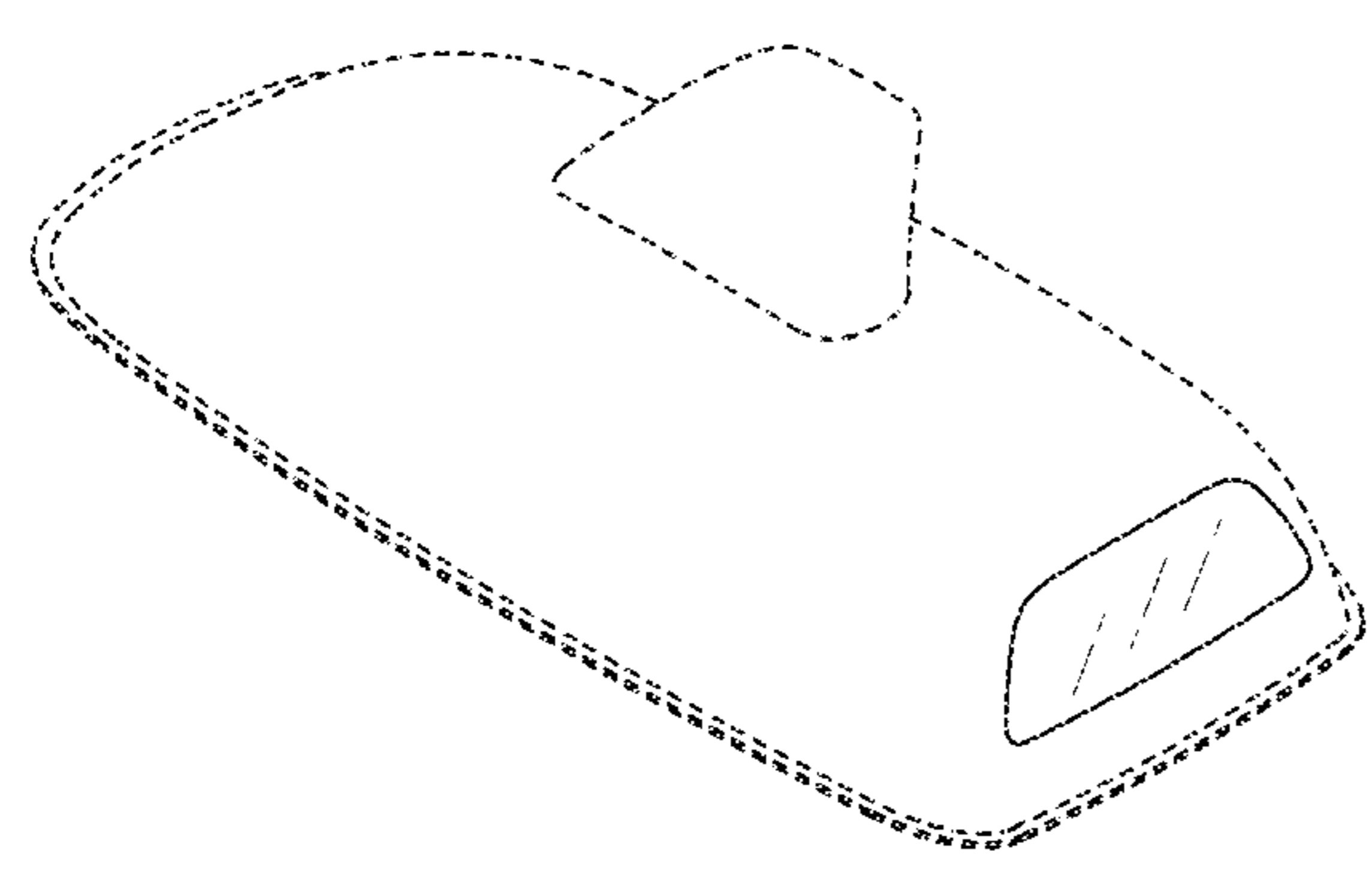
(57) **CLAIM**

We claim the ornamental design for a rearview assembly, as shown and described.

DESCRIPTION

FIG. 1 is a front perspective view of one embodiment of a rearview assembly of the present disclosure;
FIG. 2 is a front elevational view of the rearview assembly of FIG. 1;
FIG. 3 is a side elevational view of the rearview assembly of FIG. 1;
FIG. 4 is a top plan view of the rearview assembly of FIG. 1;
FIG. 5 is a front perspective view of another embodiment of a rearview assembly of the present disclosure;
FIG. 6 is a front elevational view of the rearview assembly of FIG. 5;
FIG. 7 is a side elevational view of the rearview assembly of FIG. 5; and,
FIG. 8 is a top plan view of the rearview assembly of FIG. 5.
The broken lines in the drawing depict portions of the rearview assembly that form no part of the claimed design. The dot dash lines in FIGS. 5-8 depict the bounds of the Claim.

1 Claim, 4 Drawing Sheets



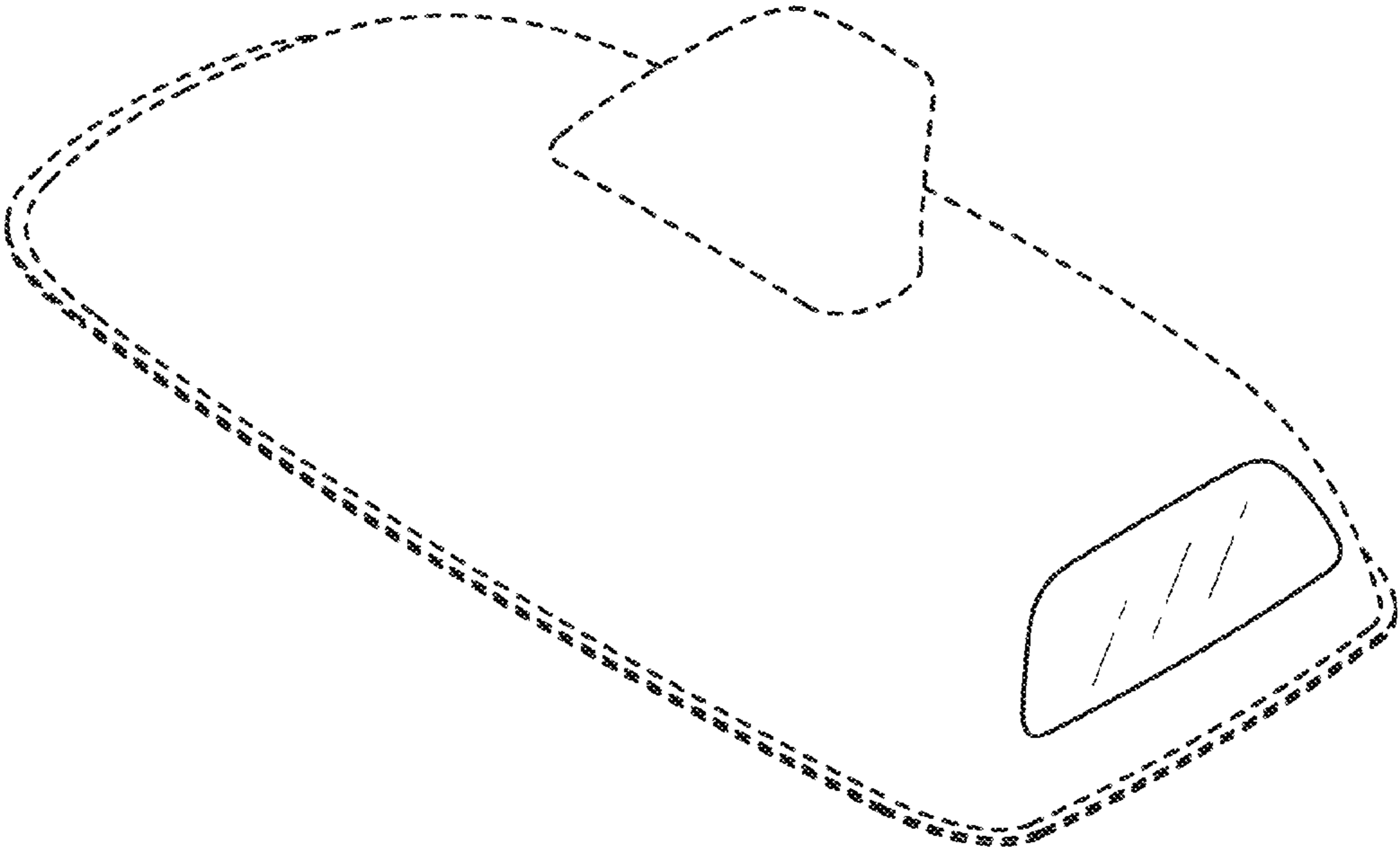


FIG. 1

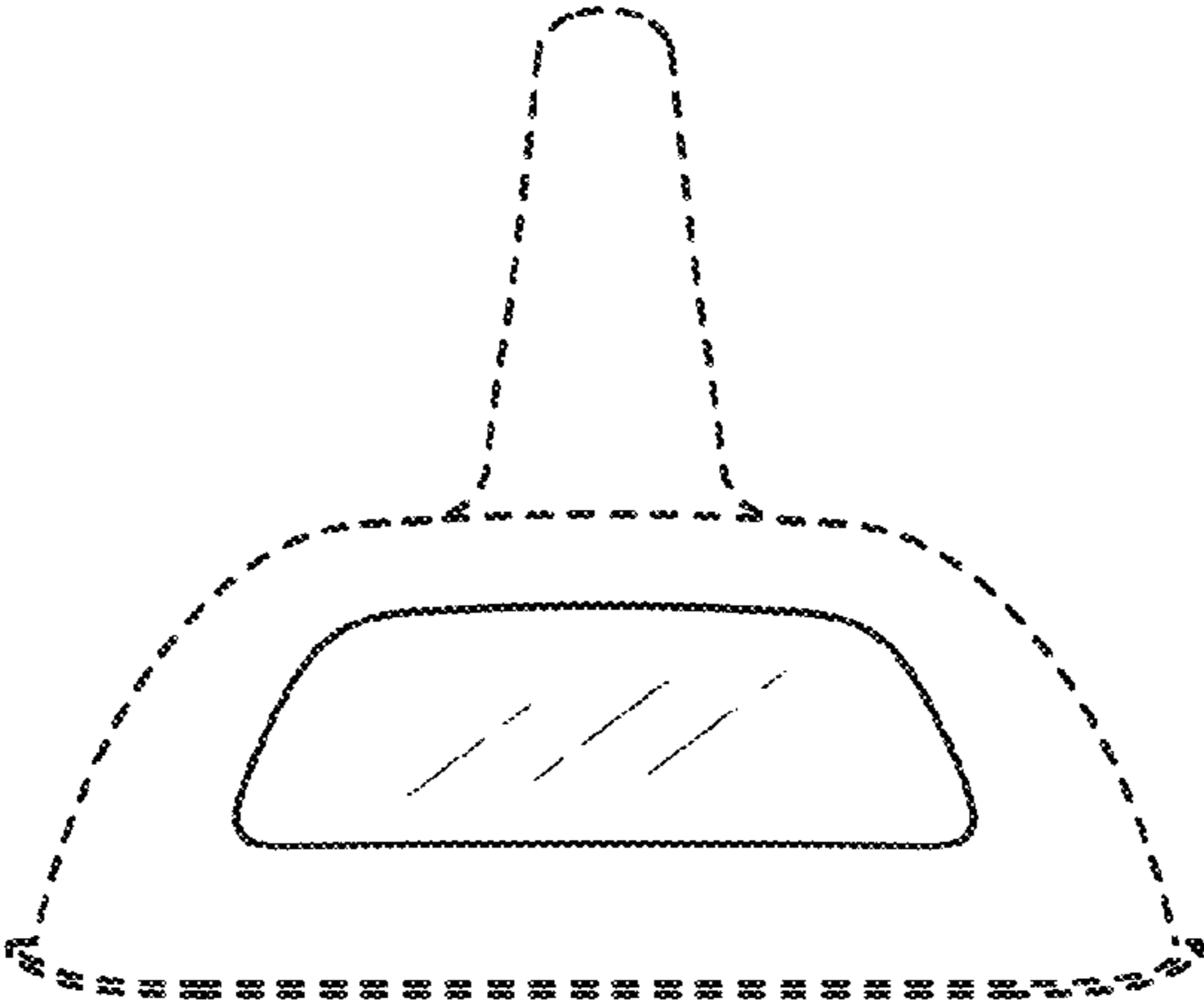


FIG. 2

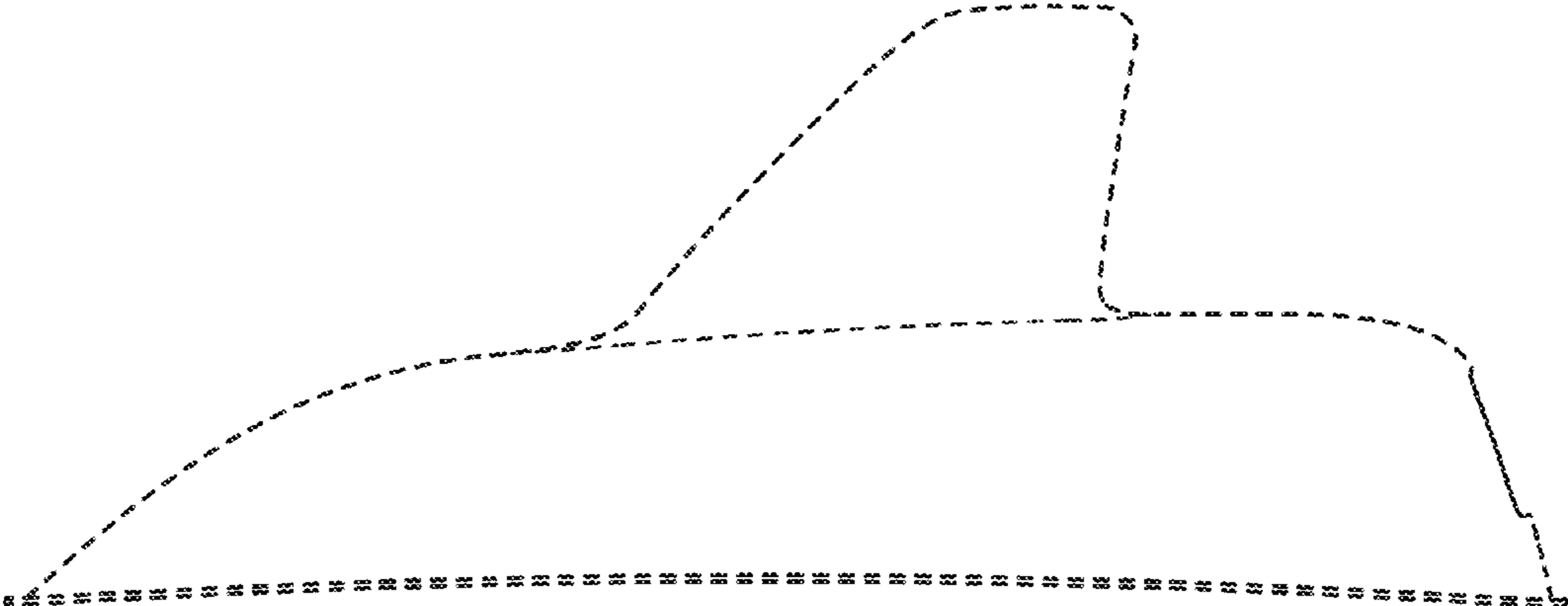


FIG. 3

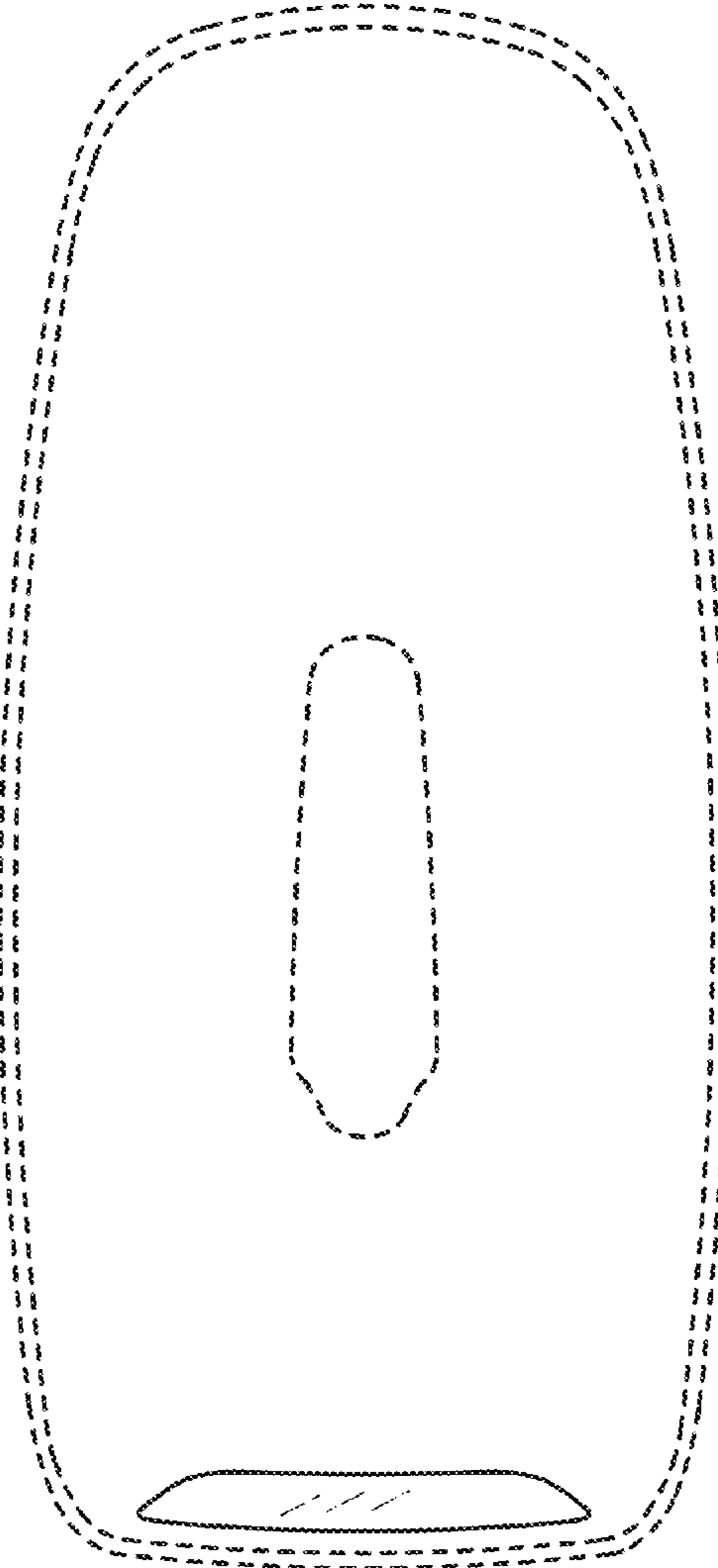


FIG. 4

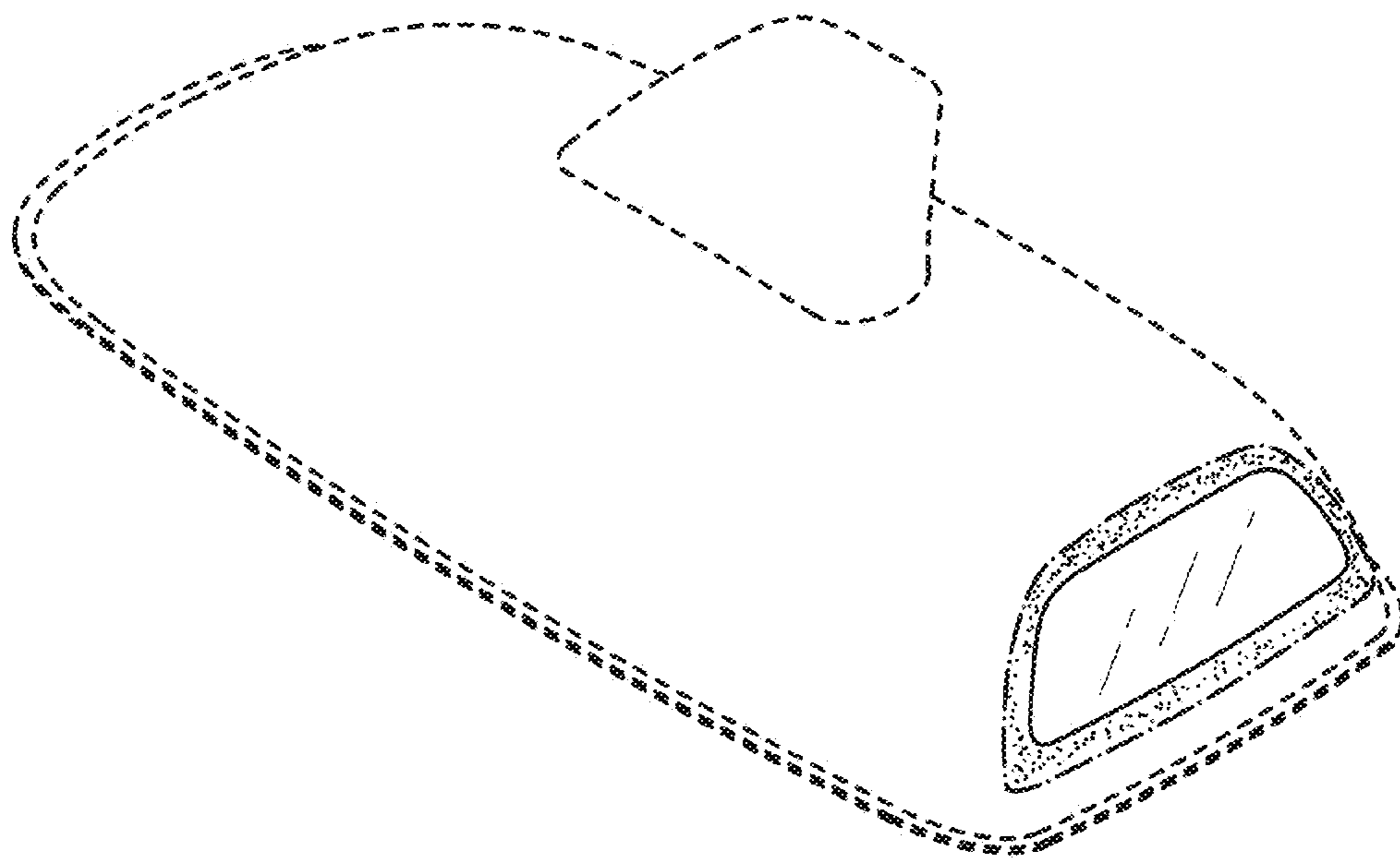


FIG. 5

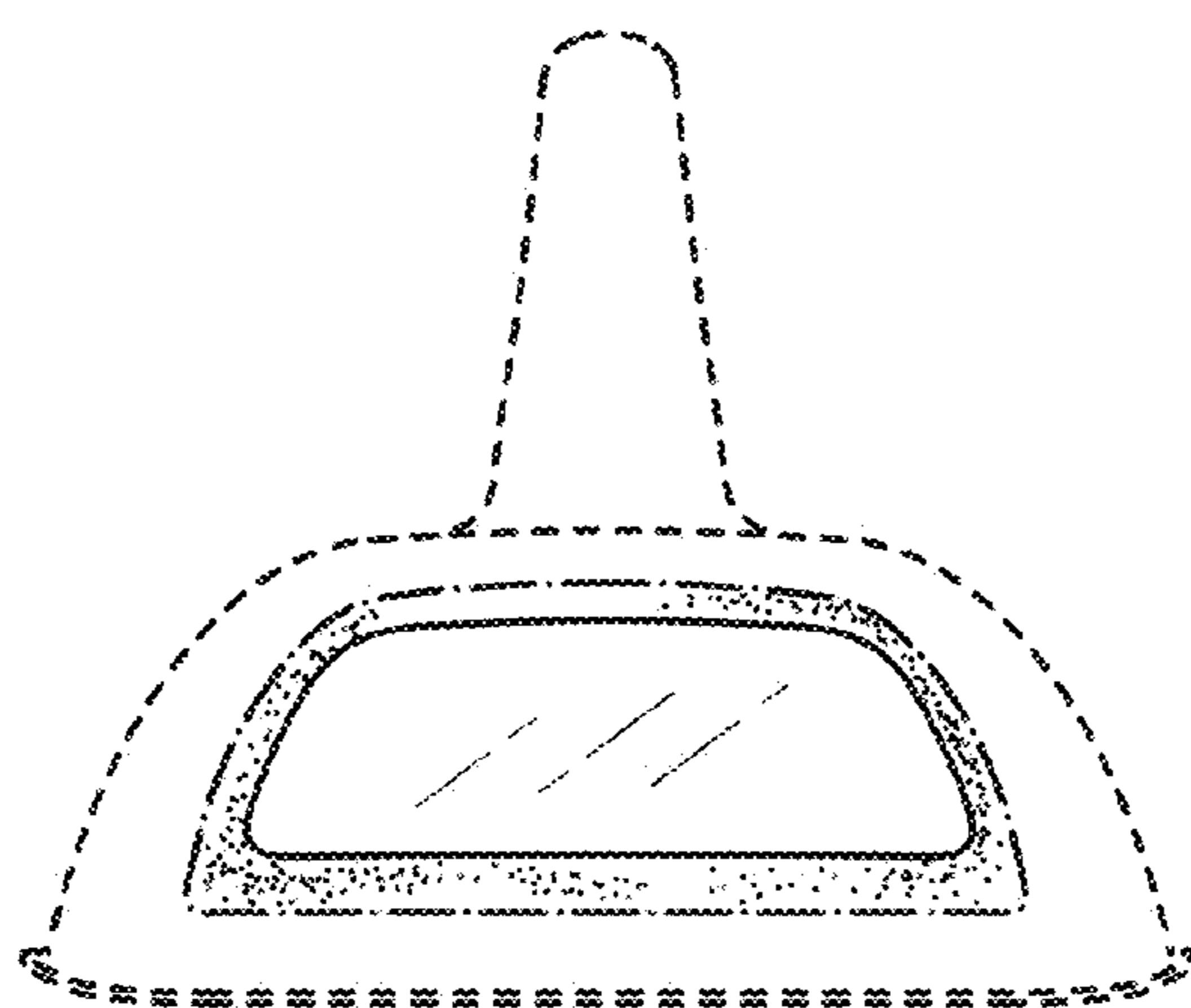


FIG. 6

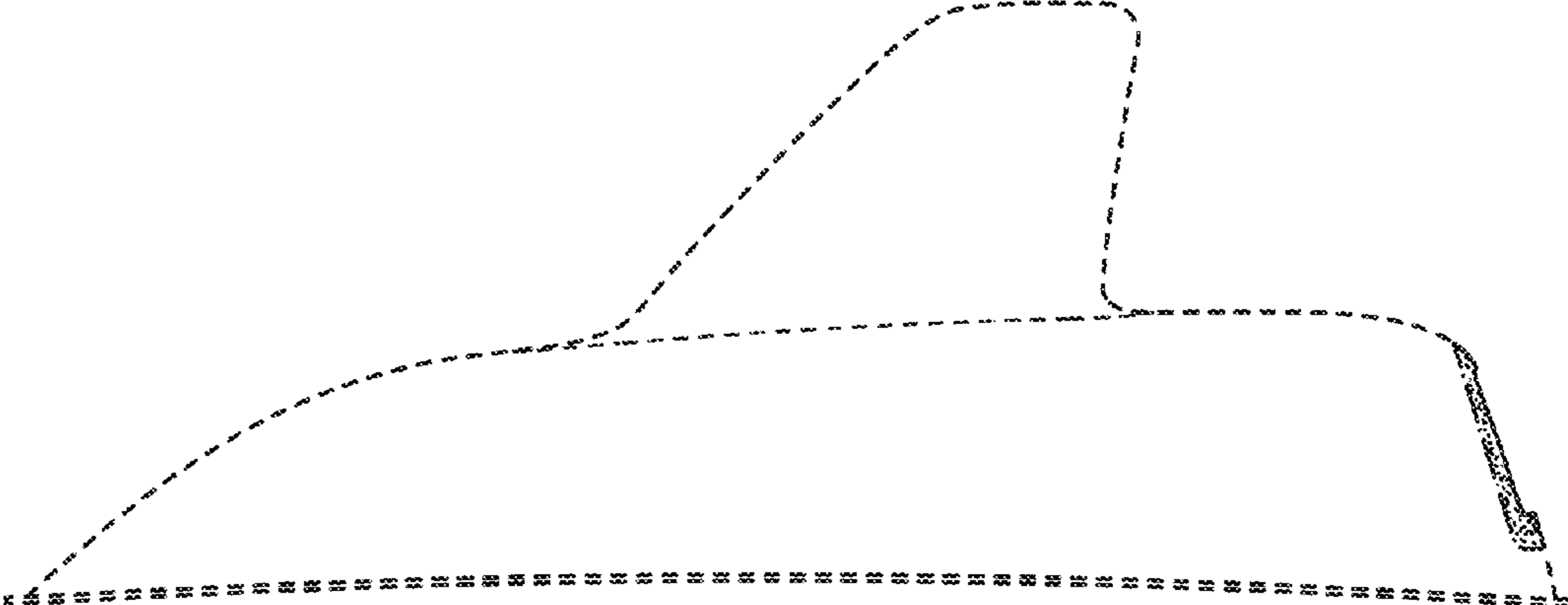


FIG. 7

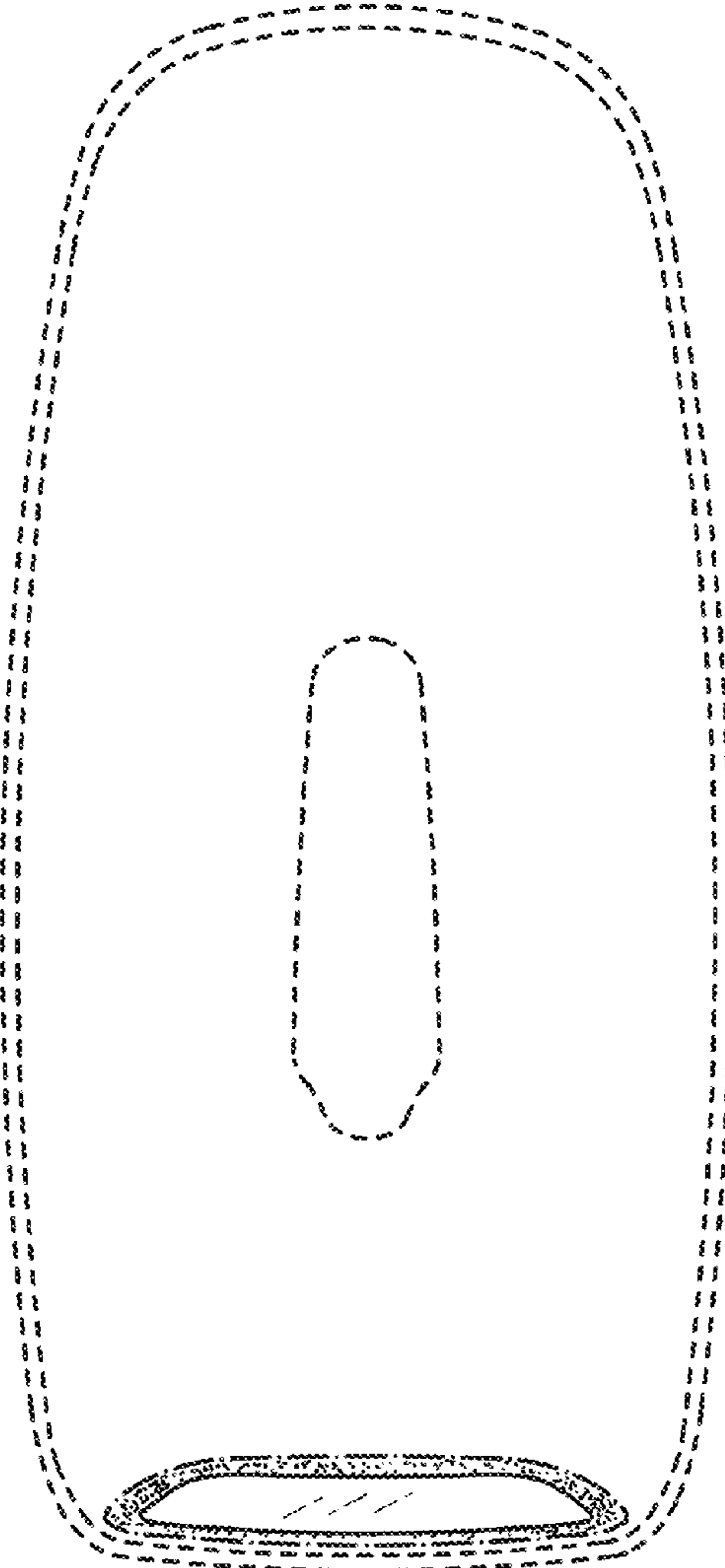


FIG. 8