



US00D747379S

(12) **United States Design Patent**
Onruang

(10) **Patent No.:** **US D747,379 S**

(45) **Date of Patent:** **** *Jan. 12, 2016**

(54) **BODY CAMERA**

(71) Applicant: **Wolfcom Enterprises**, Hollywood, CA (US)

(72) Inventor: **Peter Onruang**, Los Angeles, CA (US)

(73) Assignee: **Wolfcom Enterprises**, Hollywood, CA (US)

(*) Notice: This patent is subject to a terminal disclaimer.

(**) Term: **14 Years**

(21) Appl. No.: **29/470,322**

(22) Filed: **Oct. 18, 2013**

(51) **LOC (10) Cl.** **16-01**

(52) **U.S. Cl.**
USPC **D16/202**

(58) **Field of Classification Search**
USPC D16/200, 202–205, 208, 218, 219;
D14/125, 496, 507; 348/373–376;
396/535, 539–541
CPC G03B 15/03; G03B 17/02; G03B 17/04;
G03B 17/56; G03B 19/04; H04N 5/2251;
H04N 5/2252; H04N 5/2253; H04N 5/2254;
H04N 2101/00
See application file for complete search history.

(56) **References Cited**

U.S. PATENT DOCUMENTS

D483,387 S	12/2003	Chang et al.	
6,683,653 B1	1/2004	Miyake et al.	
D502,720 S *	3/2005	Egnoto et al.	D16/202
6,950,142 B2	9/2005	Soumi et al.	
D564,559 S *	3/2008	Stephens et al.	D16/208
D591,321 S *	4/2009	Sheppard et al.	D16/202
D616,901 S *	6/2010	Ward et al.	D14/507
D617,821 S *	6/2010	Kaplan et al.	D16/202
D628,614 S	12/2010	Barley et al.	

D630,236 S *	1/2011	Lian	D16/203
D633,930 S *	3/2011	Dinger et al.	D16/202
D636,006 S	4/2011	Champ	
D638,457 S *	5/2011	Oikawa et al.	D16/202
D638,458 S *	5/2011	Miyamori et al.	D16/202
D641,771 S *	7/2011	Sasaki et al.	D16/202
D651,632 S *	1/2012	Kim et al.	D16/202
2010/0208068 A1 *	8/2010	Elsemore	348/143
2013/0038728 A1 *	2/2013	Kim	348/143

FOREIGN PATENT DOCUMENTS

CN 301861310 3/2012

OTHER PUBLICATIONS

LawMate HD Mini Video Blackbox DVR, www.pigear.com, Aug. 18, 2012.

LawMate PV50 Pro-Grade Video DVR, www.proofpronto.com.
Police Camera Body Worn Wolfcom 3rd Eye Fireeye-HD-3G, www.wolfcomusa.com, Sep. 23, 2012.

* cited by examiner

Primary Examiner — Adir Aronovich

Assistant Examiner — Ramzi Almatrahi

(74) *Attorney, Agent, or Firm* — Sheppard, Mullin, Richter & Hampton LLP

(57) **CLAIM**

I claim the ornamental design for a body camera, as shown and described.

DESCRIPTION

FIG. 1 is a perspective view of a body camera showing my new design;

FIG. 2 is a front elevation view thereof;

FIG. 3 is a rear elevation view thereof;

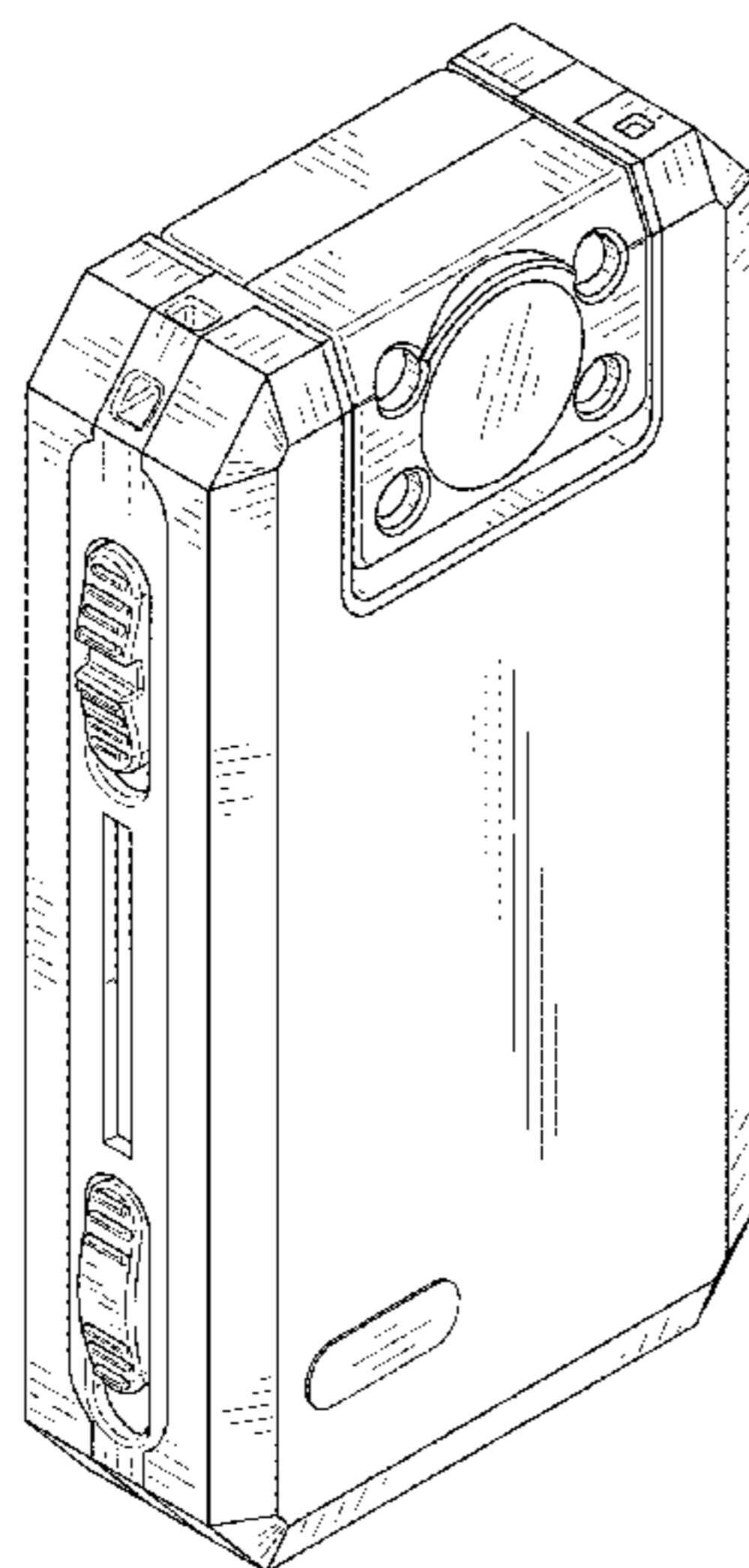
FIG. 4 is a left side elevation view thereof;

FIG. 5 is a right side elevation view thereof;

FIG. 6 is a top plan view thereof; and,

FIG. 7 is a bottom plan view thereof.

1 Claim, 5 Drawing Sheets



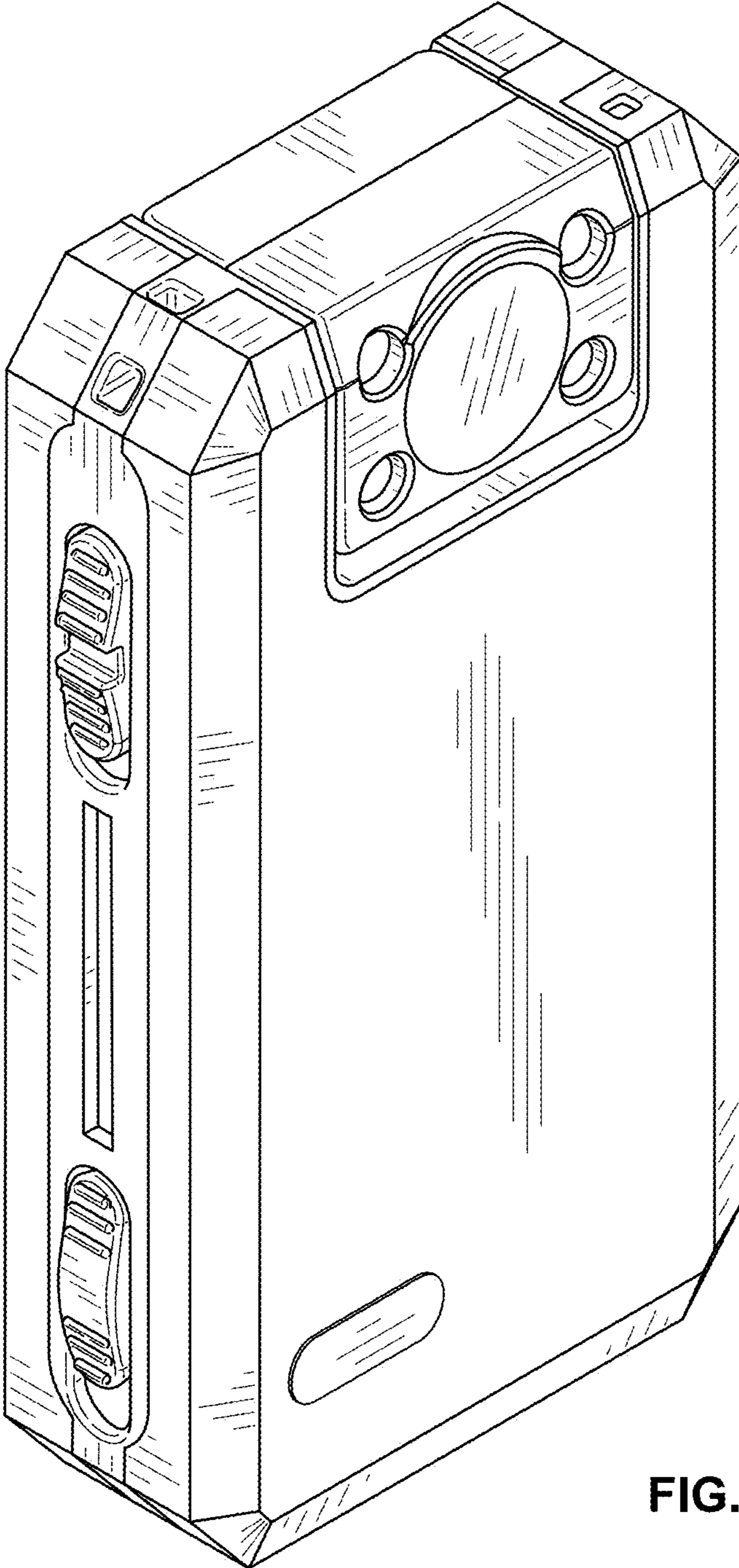


FIG. 1

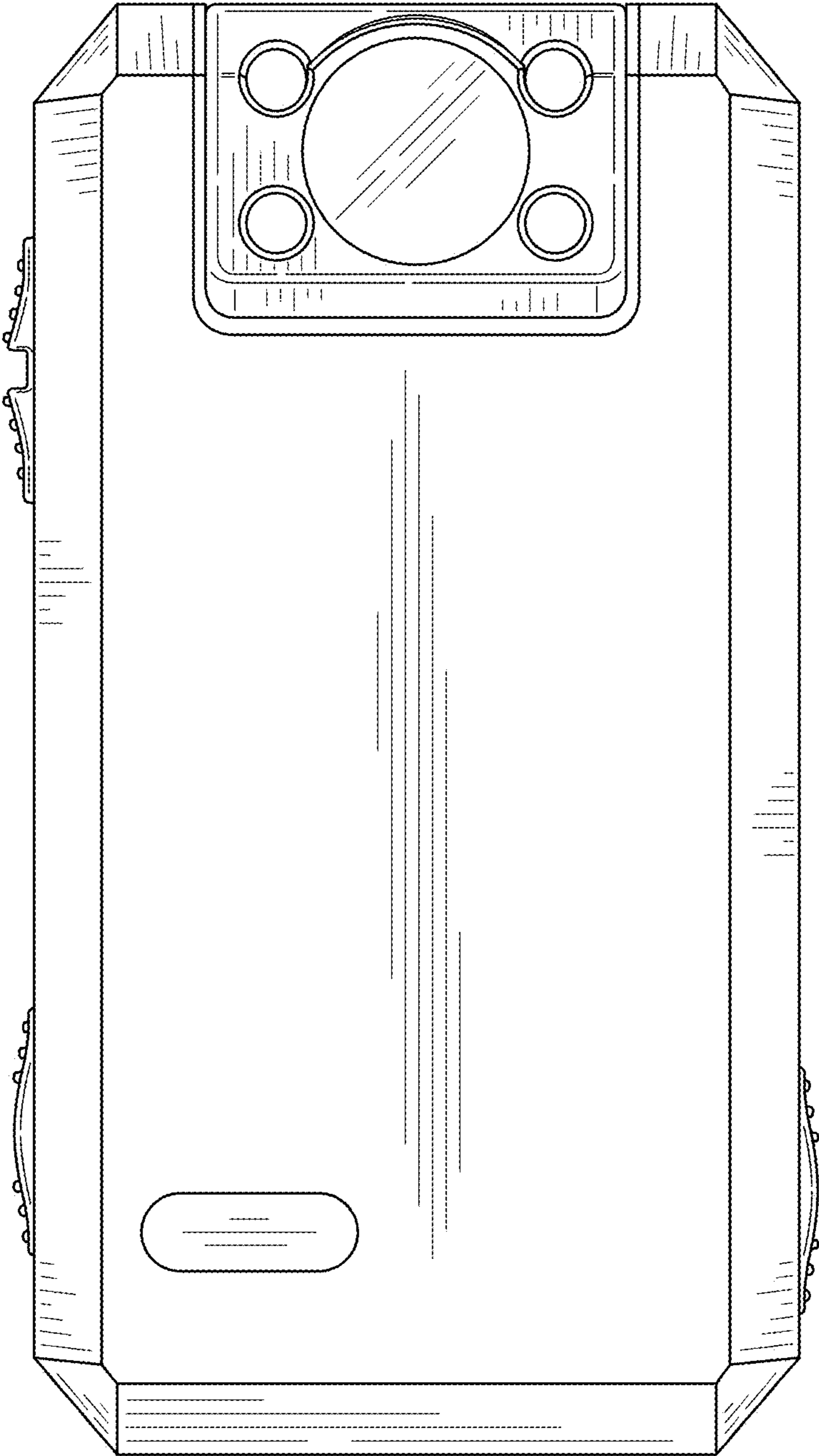


FIG. 2

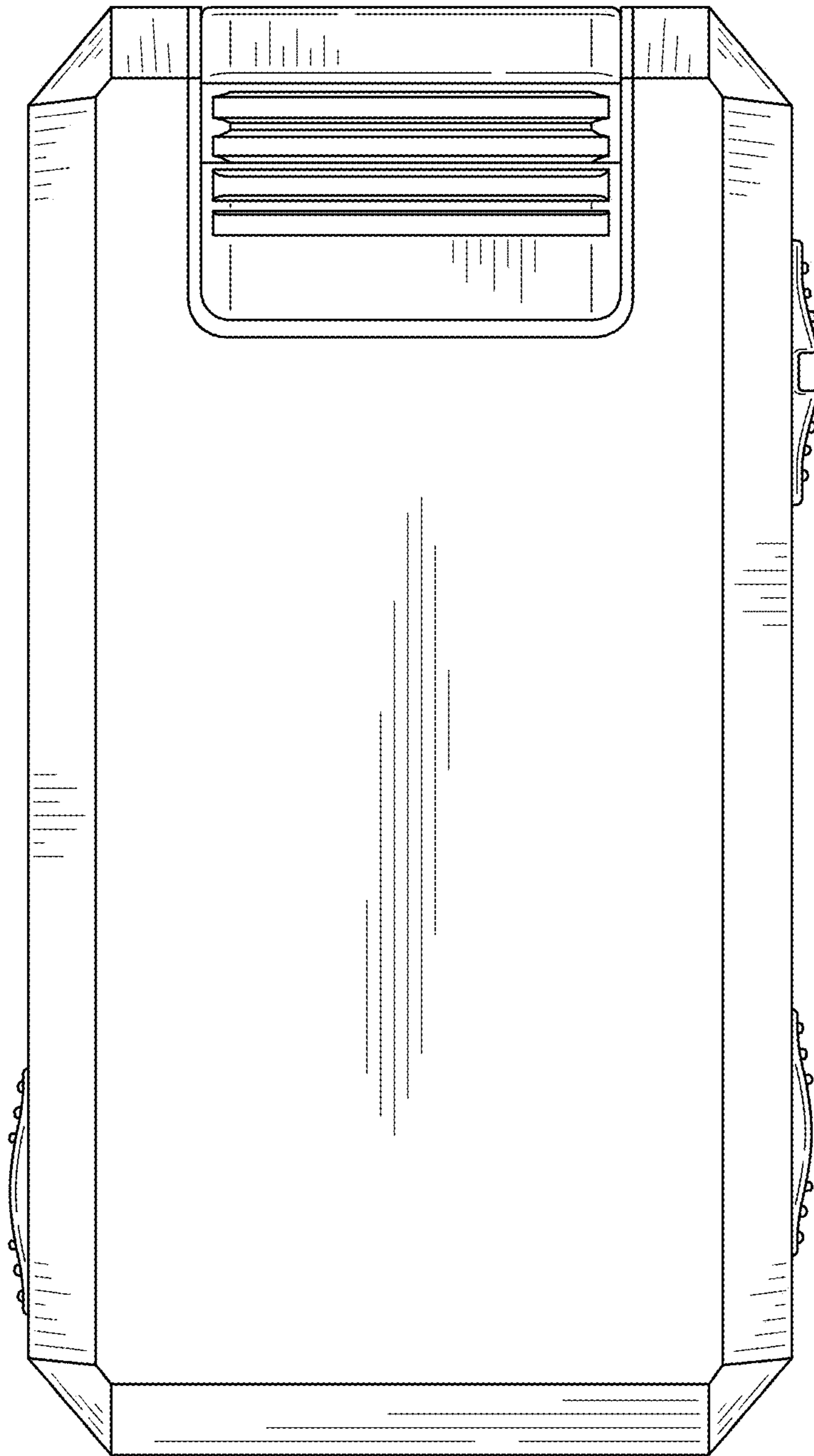


FIG. 3

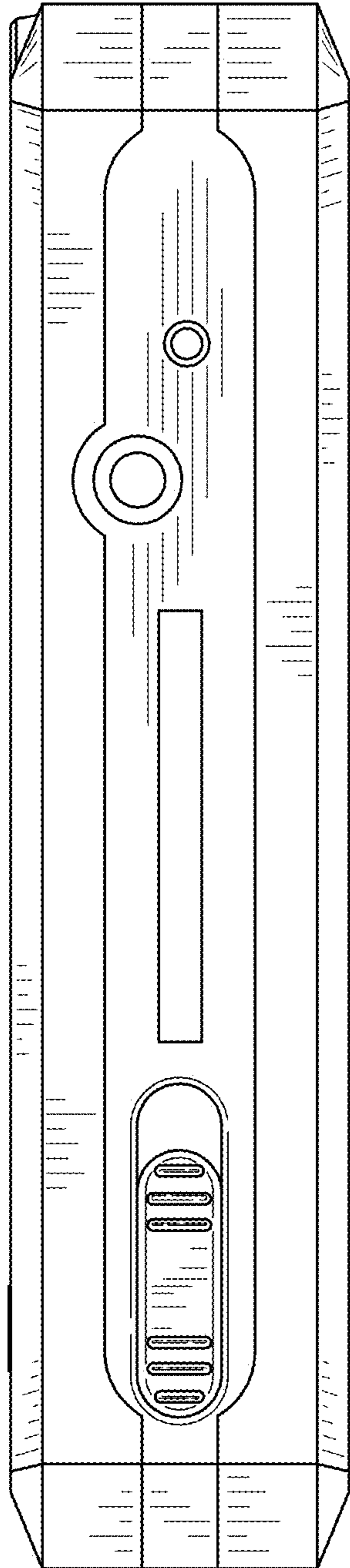


FIG. 4

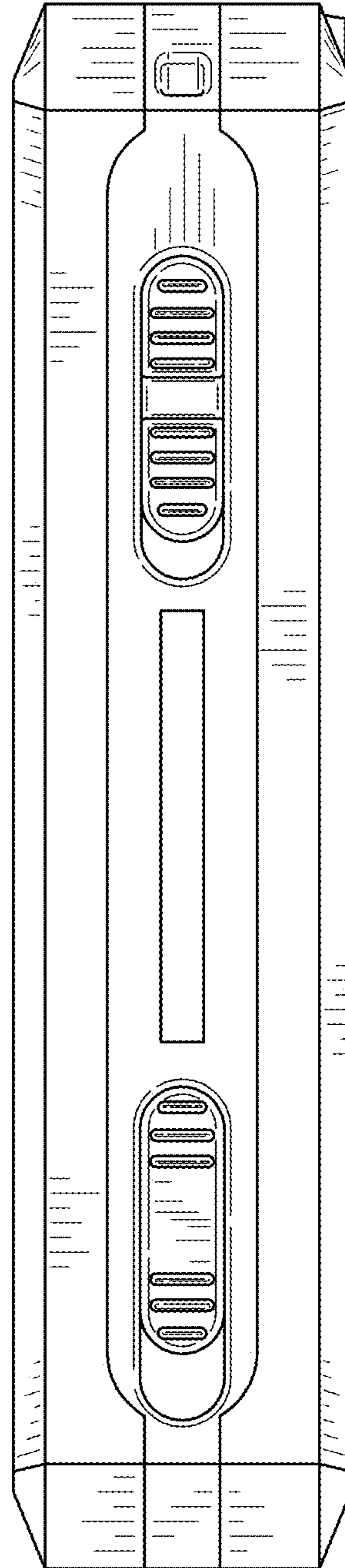


FIG. 5

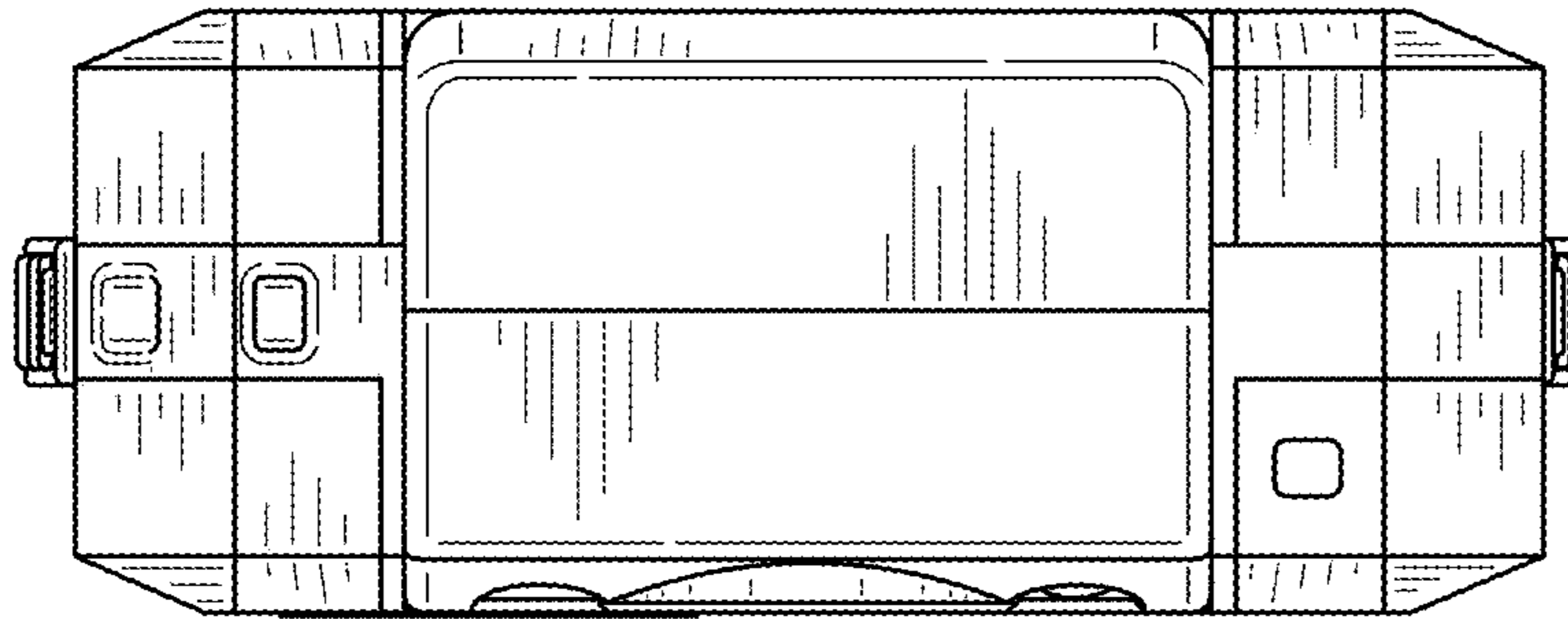


FIG. 6

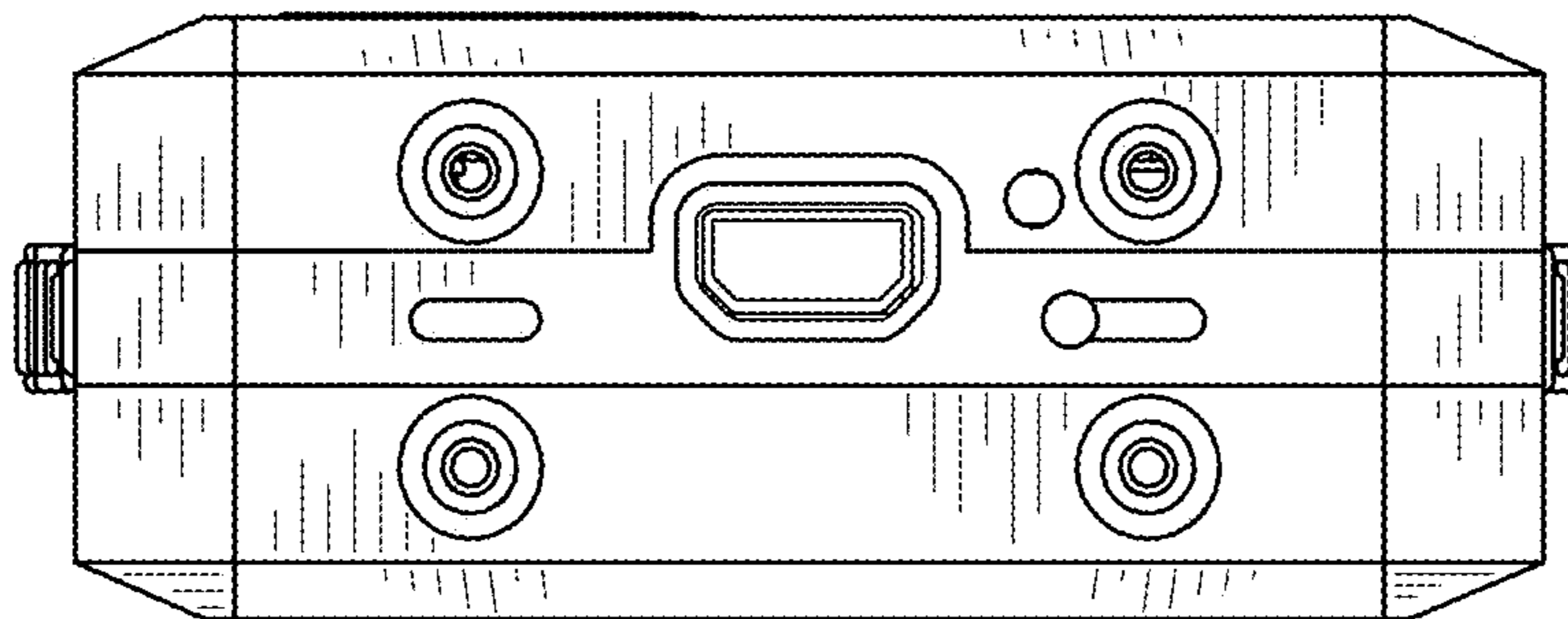


FIG. 7