



US00D747378S

(12) **United States Design Patent**
Hassan et al.

(10) **Patent No.:** **US D747,378 S**
(45) **Date of Patent:** **** Jan. 12, 2016**

(54) **ADAPTER SLEEVE FOR AN ARC WELDING APPARATUS**

(71) Applicant: **Victor Equipment Company**, Denton, TX (US)

(72) Inventors: **Khalid Hassan**, Denton, TX (US);
Glenn K. Redding, Flower Mound, TX (US)

(73) Assignee: **Victor Equipment Company**, Denton, TX (US)

(**) Term: **14 Years**

(21) Appl. No.: **29/508,004**

(22) Filed: **Oct. 31, 2014**

(51) **LOC (10) Cl.** **15-09**

(52) **U.S. Cl.**
USPC **D15/144**

(58) **Field of Classification Search**
USPC D8/29.1, 30; D15/144, 144.1, 144.2;
219/70, 137.44, 137.52
See application file for complete search history.

(56) **References Cited**

U.S. PATENT DOCUMENTS

D53,484 S *	7/1919	Brile	428/579
D231,834 S *	6/1974	Gulrich	D15/144
D269,519 S *	6/1983	Braun	D15/138
D290,807 S *	7/1987	Nippert	D15/144
D371,058 S *	6/1996	Walters	219/119
D402,298 S *	12/1998	Hidaka	D15/144
D409,211 S *	5/1999	Hidaka	D15/144
D414,788 S *	10/1999	Shintani	D15/144
D420,374 S *	2/2000	Zigliotto	D15/144
D446,530 S *	8/2001	Kuraoka	D15/144
D446,795 S *	8/2001	Shintani	D15/144
D451,113 S *	11/2001	Shintani	D15/144
D499,124 S *	11/2004	Kuraoka	D15/144
D517,576 S *	3/2006	Conway	D15/144
D517,577 S *	3/2006	Conway	D15/144

D527,401 S *	8/2006	Mizuno	D15/144
D535,672 S *	1/2007	MacKenzie	D15/144
D535,674 S *	1/2007	Conway	D15/144
D536,009 S *	1/2007	MacKenzie	D15/144
D545,853 S *	7/2007	Hawley	D15/144
D582,951 S *	12/2008	Yamaguchi	D15/144
D647,548 S *	10/2011	Savill, Jr.	D15/144
D652,437 S *	1/2012	Furujo	D15/144
D653,270 S *	1/2012	Furujo	D15/144
D654,104 S *	2/2012	Fitzpatrick	D15/144
D654,939 S *	2/2012	Furujo	D15/144
D654,940 S *	2/2012	Furujo	D15/144
D665,071 S *	8/2012	Goel	D15/144
D669,508 S *	10/2012	Krink	D15/144.1
D669,509 S *	10/2012	Krink	D15/144.1
D681,706 S *	5/2013	Savill, Jr.	D15/144
D687,874 S *	8/2013	Furujo	D15/144.2
D697,956 S *	1/2014	Davis	D15/144
D698,835 S *	2/2014	Juskowich	D15/144
D702,272 S *	4/2014	Furujo	D15/144
D706,323 S *	6/2014	Juskowich	D15/144
D714,372 S *	9/2014	Savill, Jr.	D15/144
D719,200 S *	12/2014	Hassan	D15/144

(Continued)

Primary Examiner — Patricia Palasik

(74) *Attorney, Agent, or Firm* — Kacvinsky Daisak Bluni PLLC

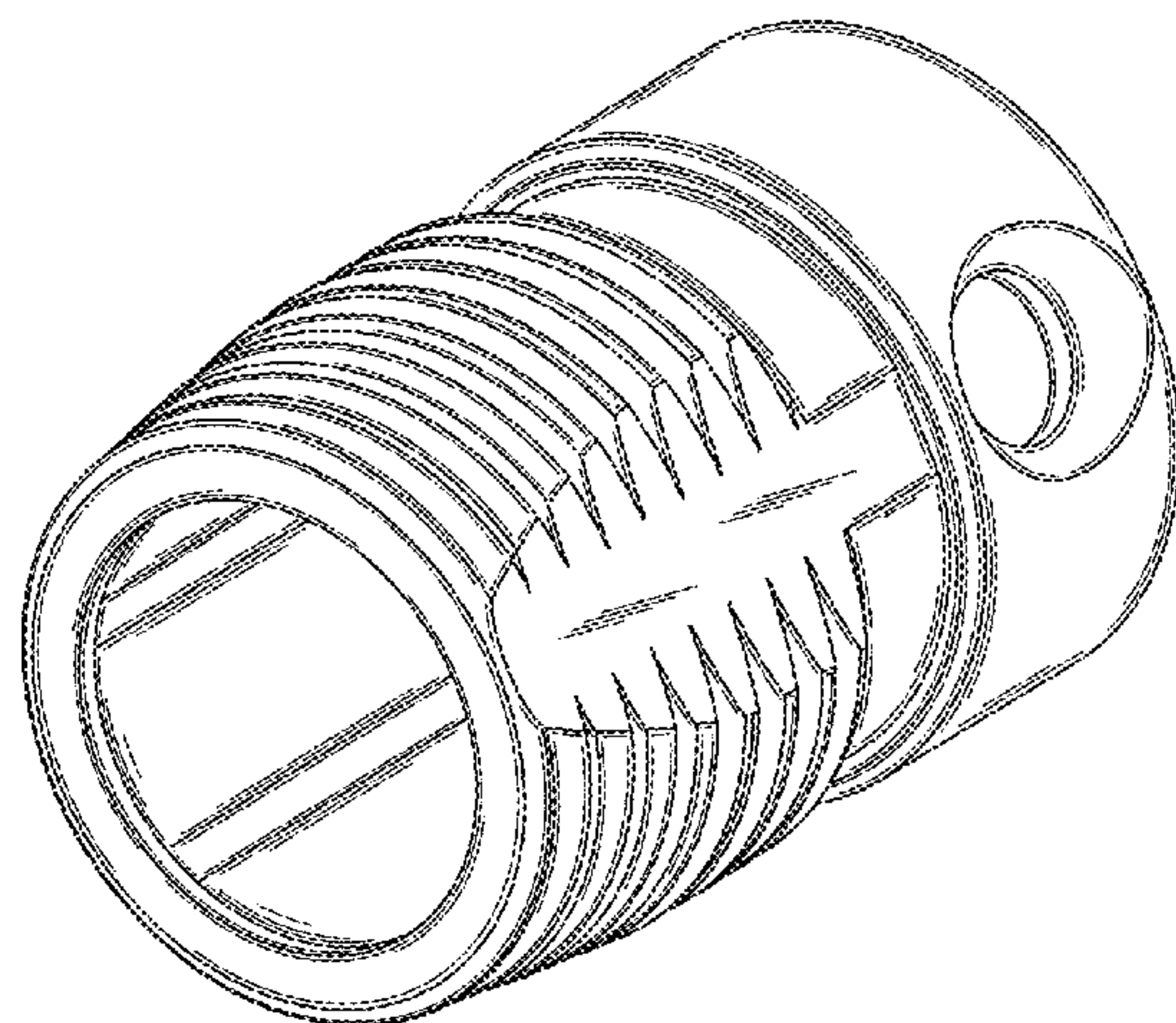
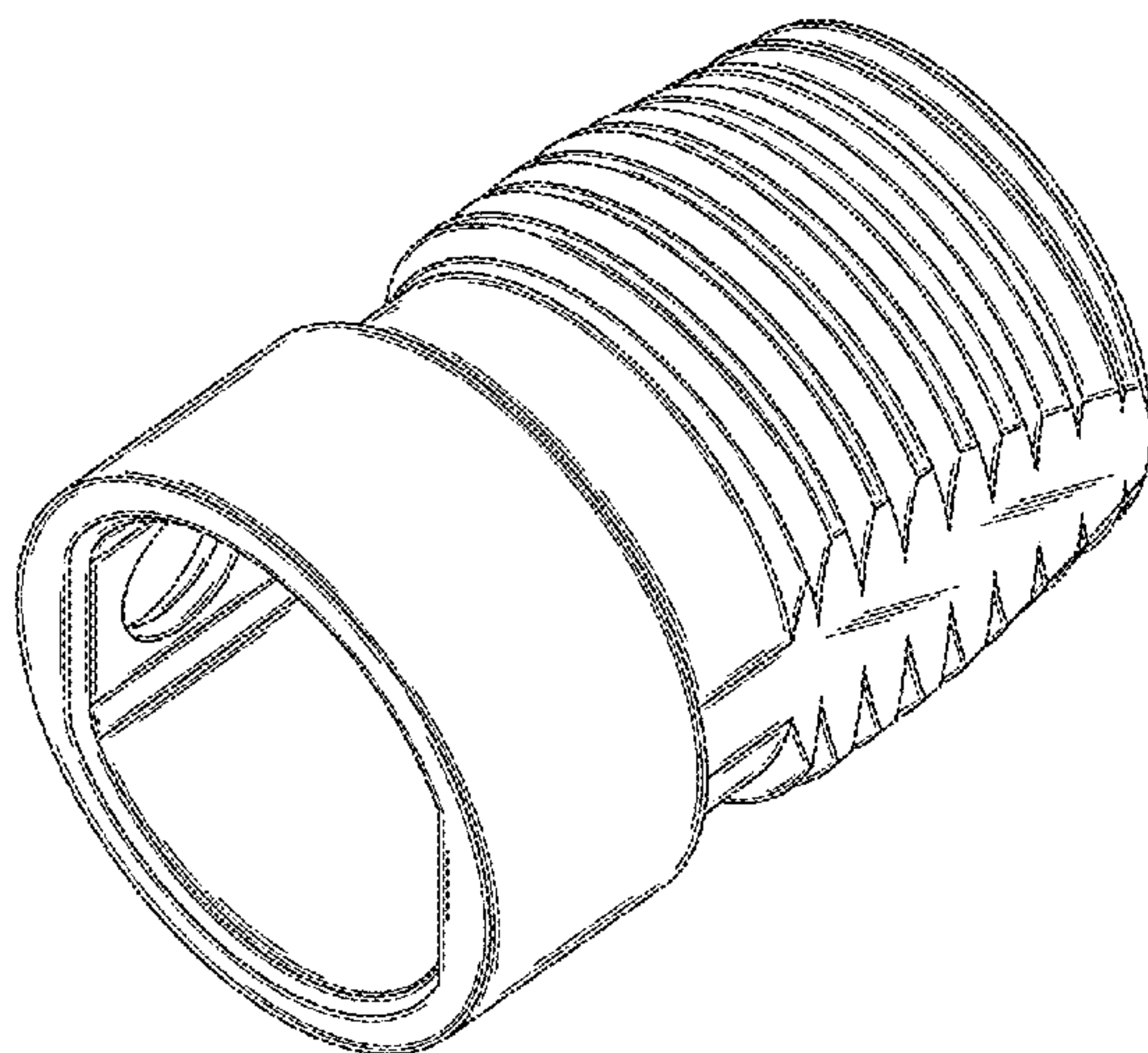
(57) **CLAIM**

The ornamental design for an adapter sleeve for an arc welding apparatus, as shown and described.

DESCRIPTION

FIG. 1 is a perspective view of the adapter sleeve for an arc welding apparatus;
FIG. 2 is another perspective view;
FIG. 3 is a side view;
FIG. 4 is another side view;
FIG. 5 is a front view;
FIG. 6 is a rear view;
FIG. 7 is a top view; and,
FIG. 8 is a bottom view.

1 Claim, 8 Drawing Sheets



(56)

References Cited

U.S. PATENT DOCUMENTS

D720,784 S *	1/2015	Hassan	D15/144	D728,648 S *	5/2015	Kang	D15/144
D721,111 S *	1/2015	Hassan	D15/144	D728,649 S *	5/2015	Hassan	D15/144
D726,794 S *	4/2015	Kang	D15/144	D733,776 S *	7/2015	Buttiker	D15/144
D728,647 S *	5/2015	Savill, Jr.	D15/144	D735,787 S *	8/2015	Hassan	D15/144
					D736,285 S *	8/2015	Hassan	D15/144
					2015/0151378 A1 *	6/2015	Fujii	B23K 9/167 219/74

* cited by examiner

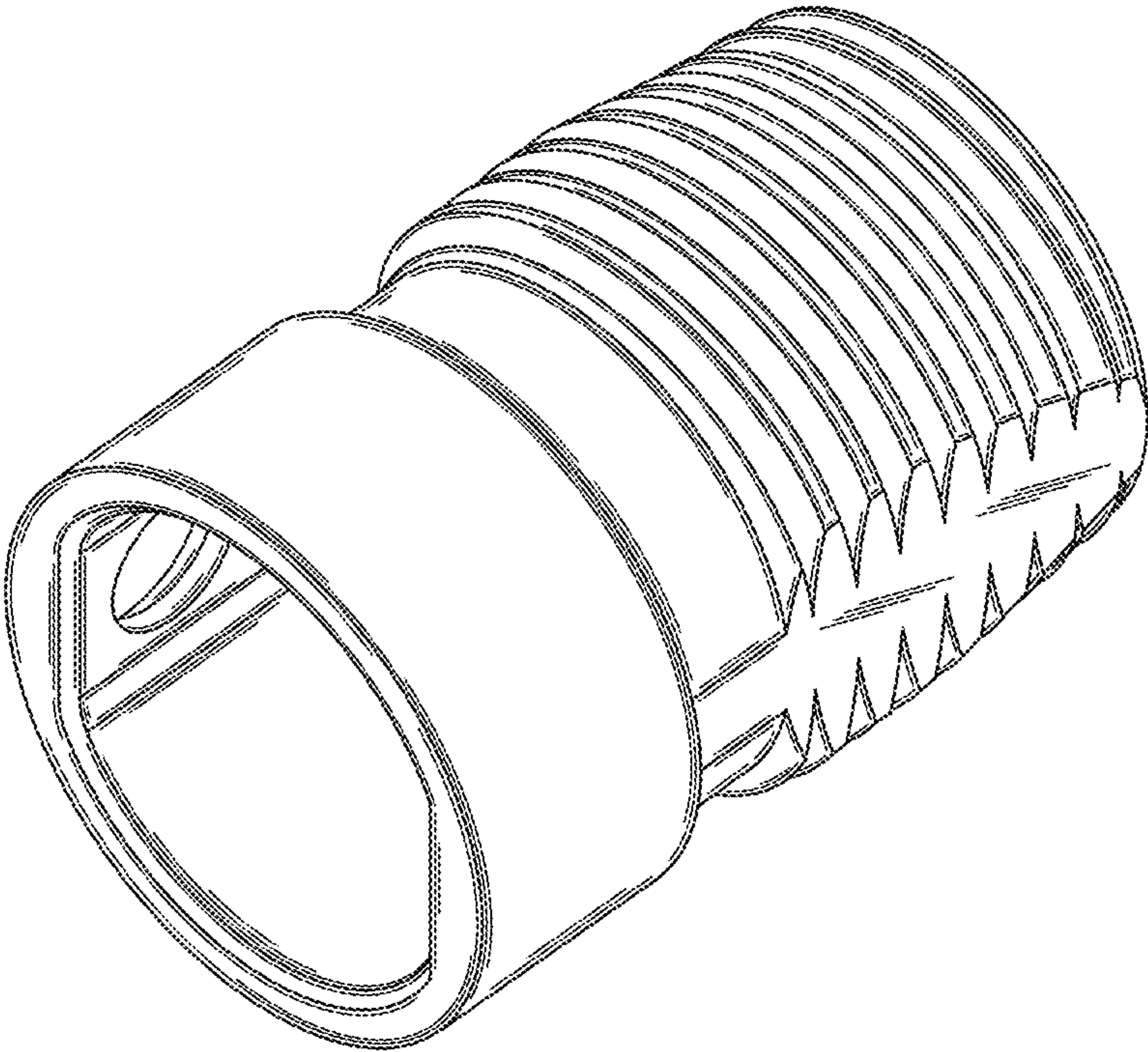


FIG. 1

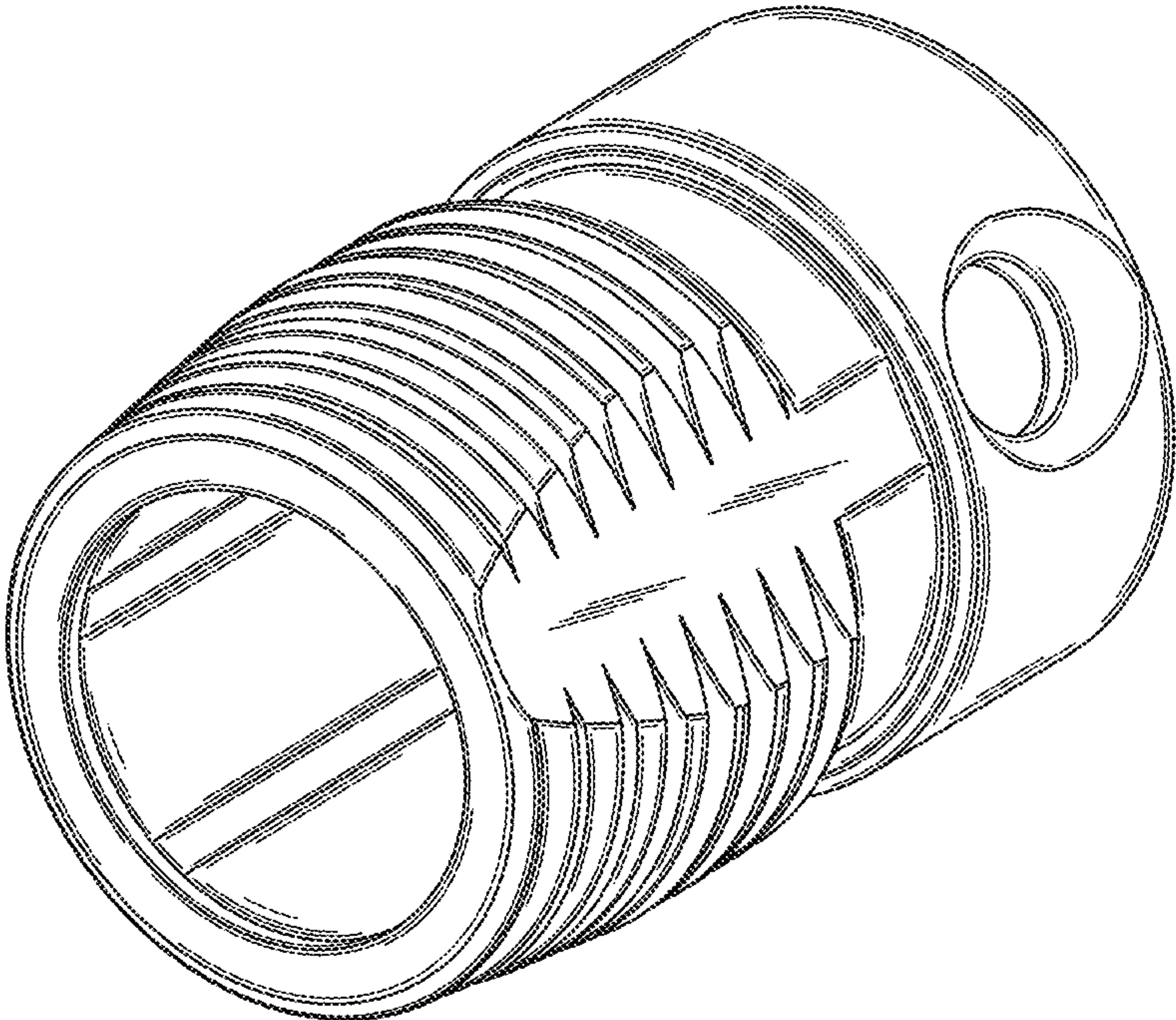


FIG. 2

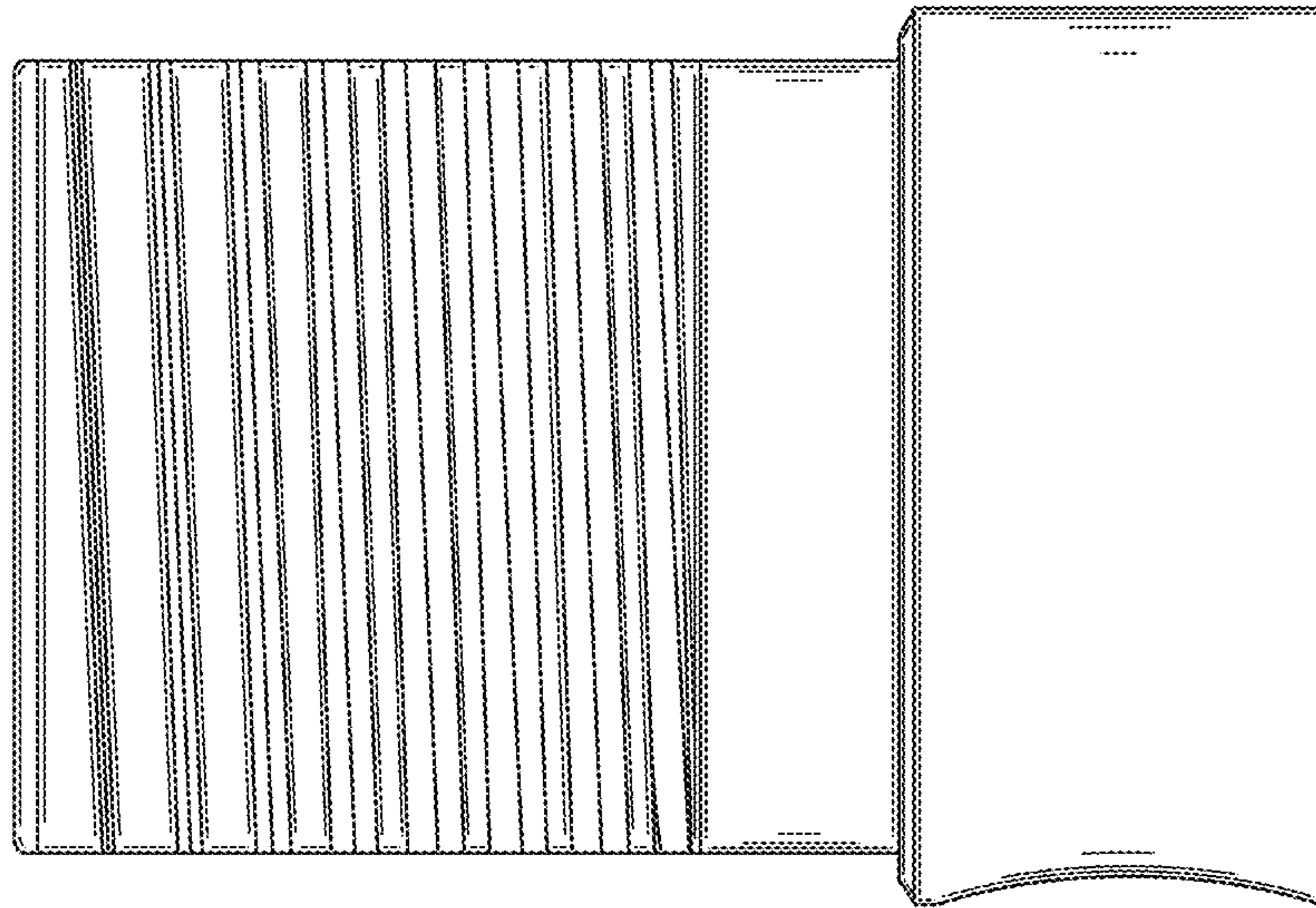


FIG. 3

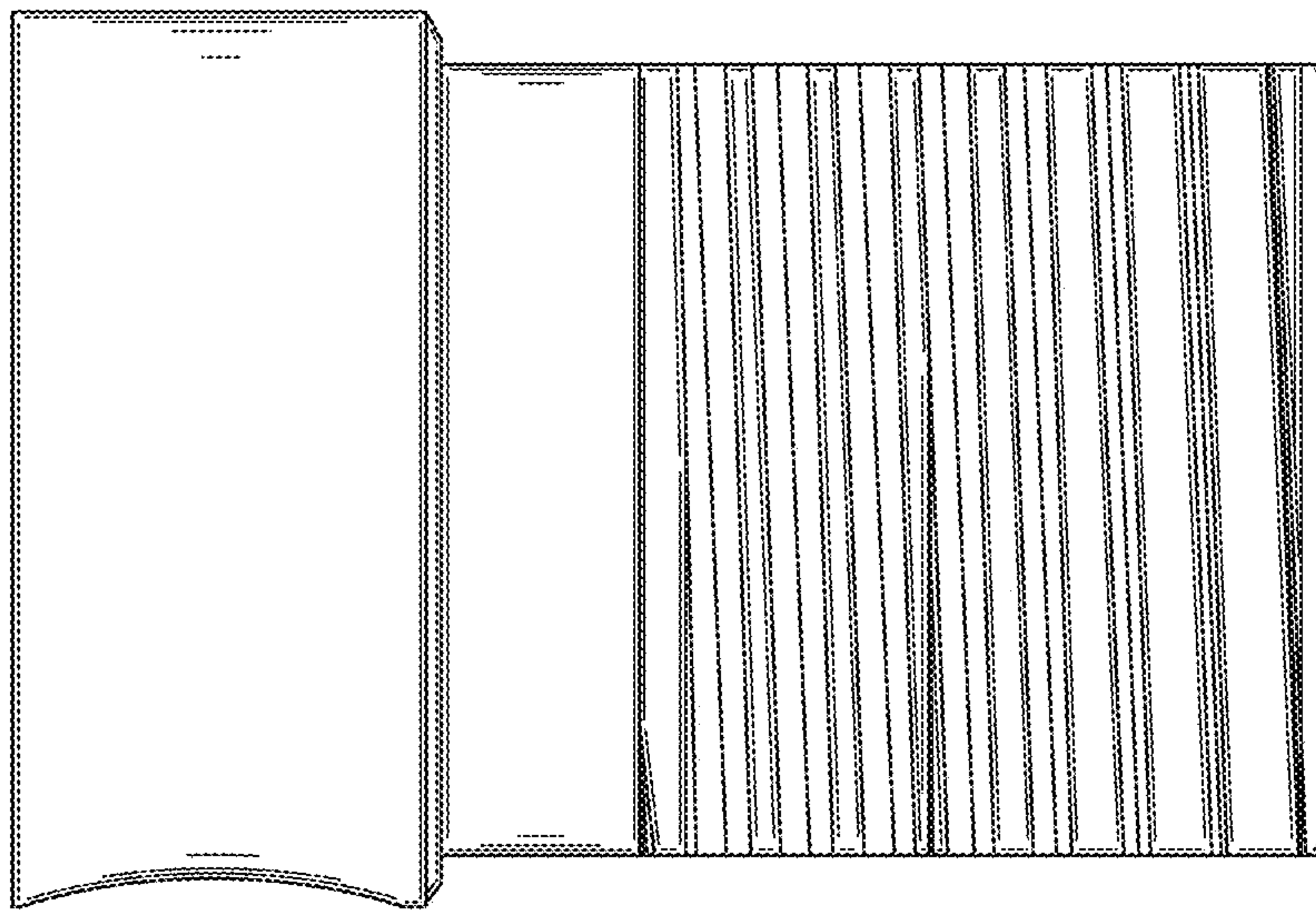


FIG. 4

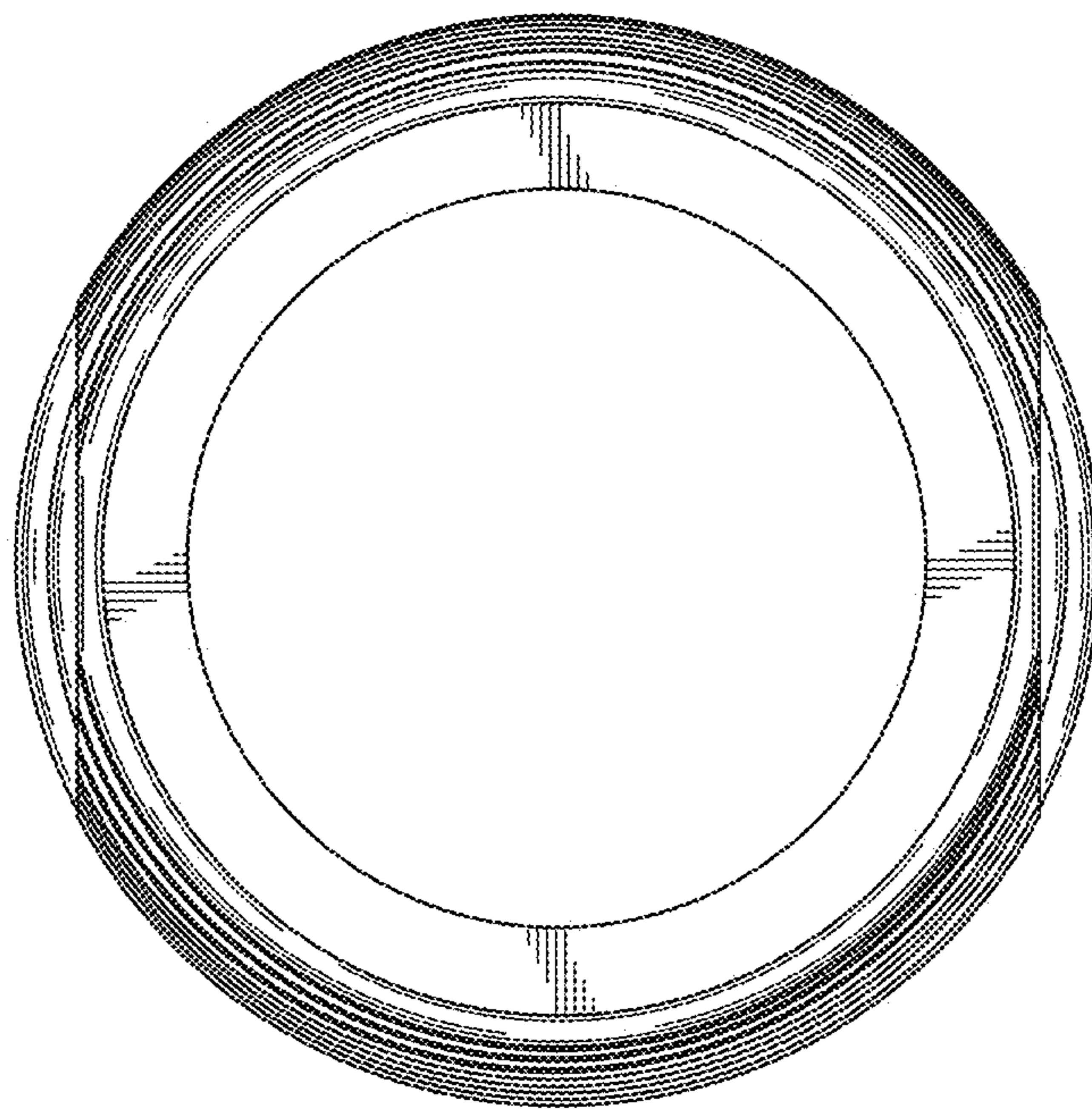


FIG. 5

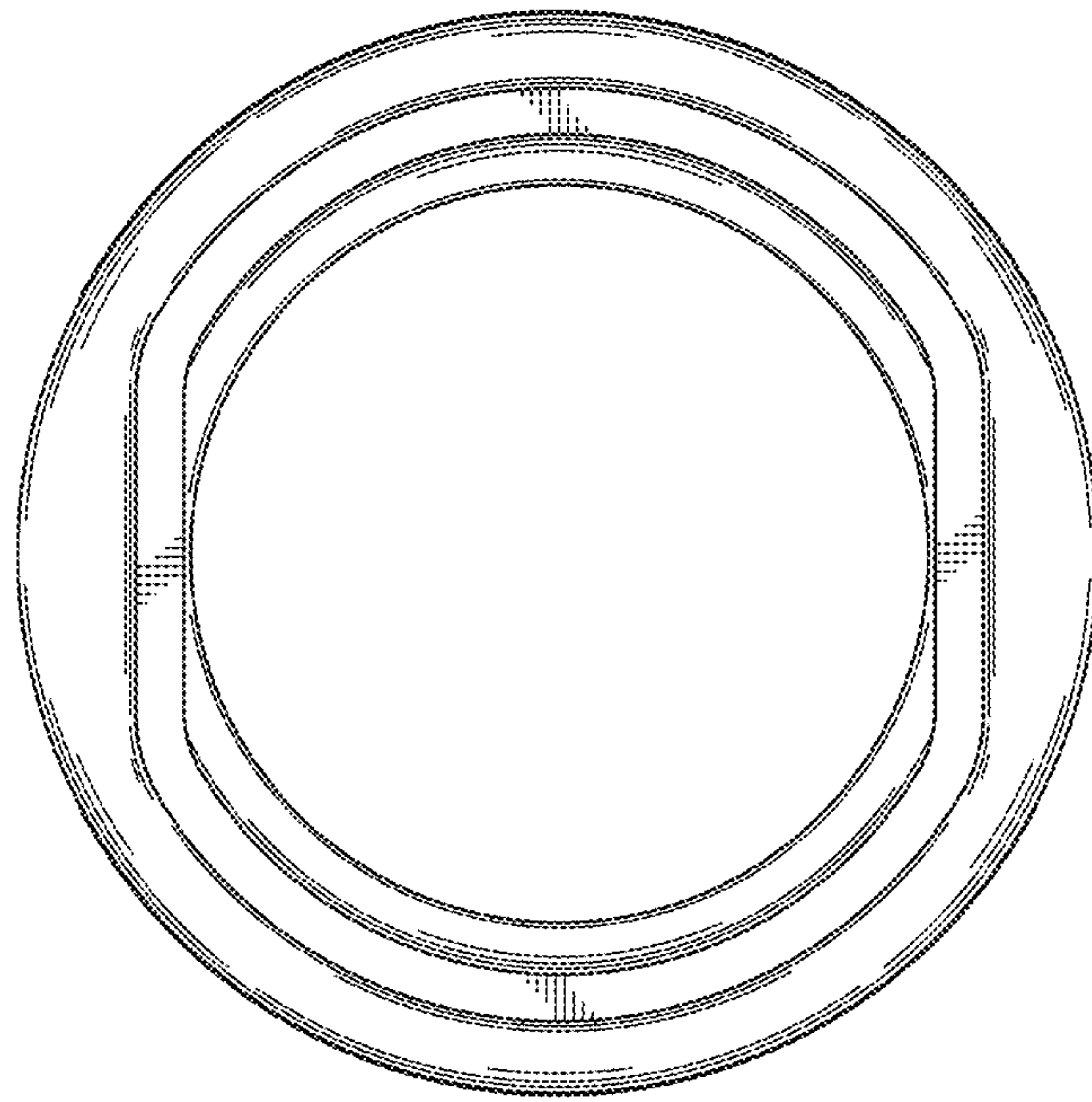


FIG. 6

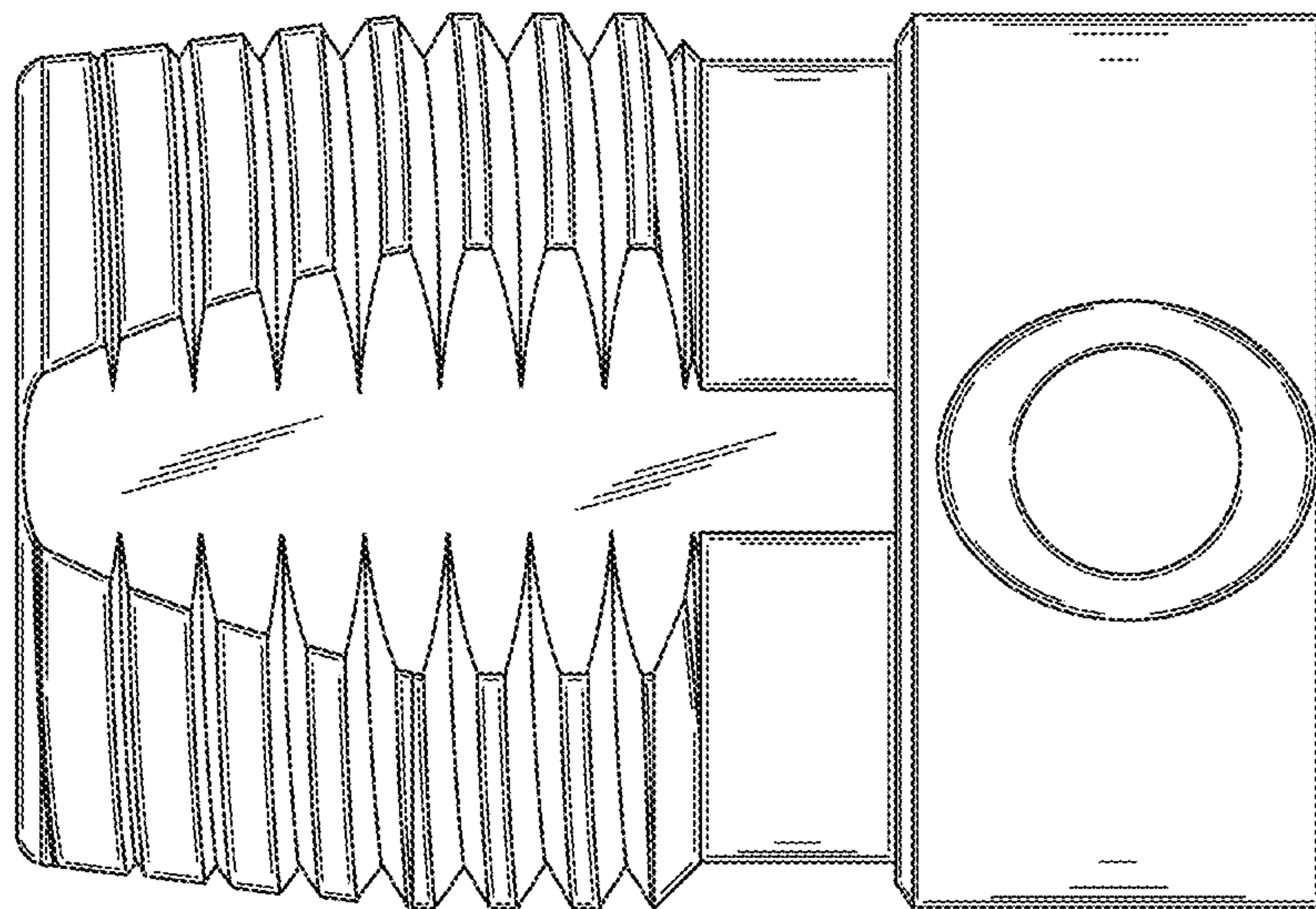


FIG. 7

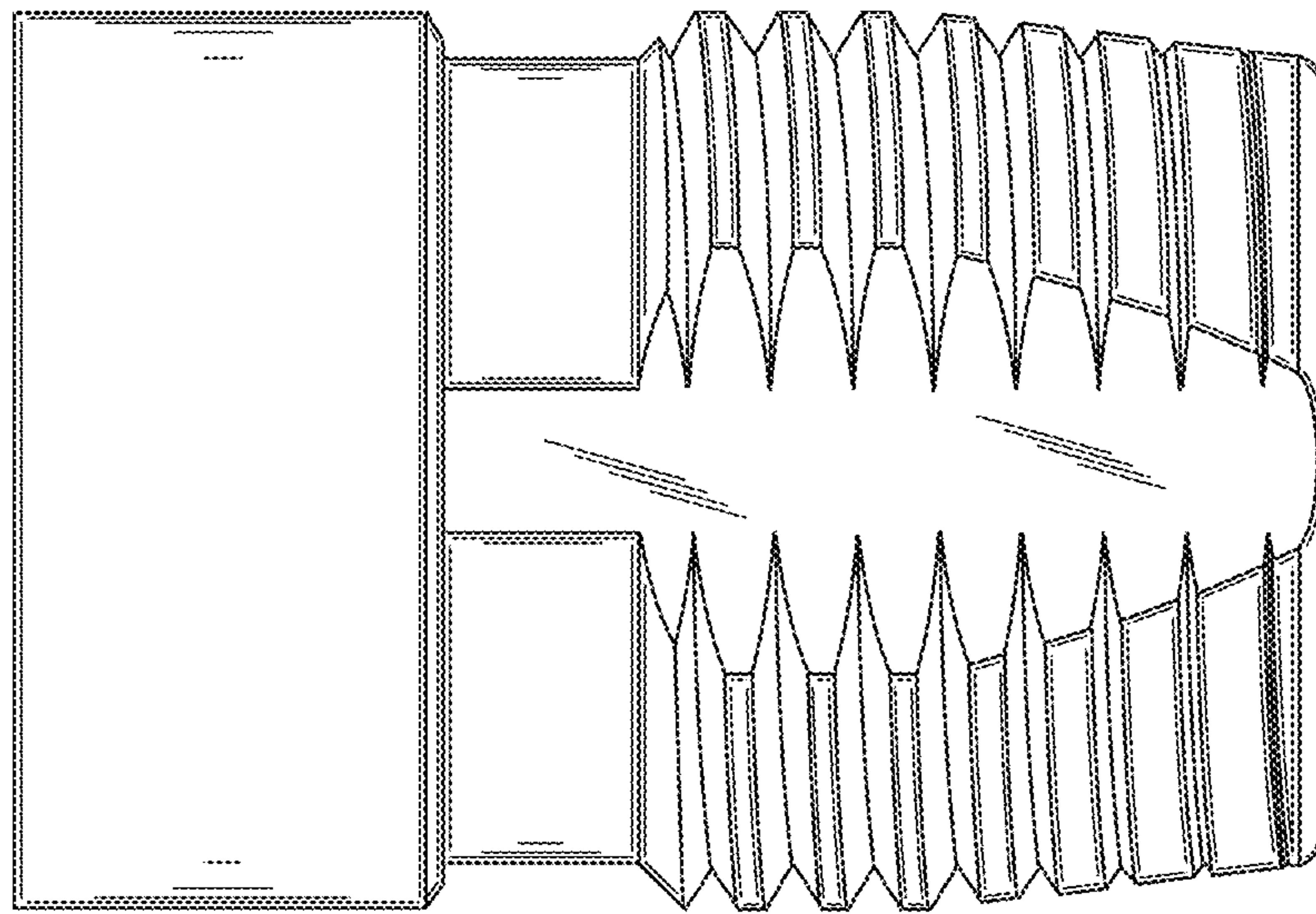


FIG. 8