



US00D747377S

(12) **United States Design Patent**  
**Hassan et al.**

(10) **Patent No.:** **US D747,377 S**  
(45) **Date of Patent:** **\*\* Jan. 12, 2016**

(54) **MEDIUM DUTY TAPERED CONTACT TIP**

(71) Applicant: **Victor Equipment Company**, Denton, TX (US)

(72) Inventors: **Khalid Hassan**, Denton, TX (US);  
**David Wilton**, Chesterfield, MO (US)

(73) Assignee: **Victor Equipment Company**, Denton, TX (US)

(\*\*) Term: **14 Years**

(21) Appl. No.: **29/508,000**

(22) Filed: **Oct. 31, 2014**

(51) **LOC (10) Cl.** ..... **15-09**

(52) **U.S. Cl.**  
USPC ..... **D15/144**

(58) **Field of Classification Search**  
USPC ..... D8/29.1, 30; D15/144, 144.1, 144.2;  
219/70, 137.44, 137.52

See application file for complete search history.

(56) **References Cited**

**U.S. PATENT DOCUMENTS**

|              |         |                 |         |
|--------------|---------|-----------------|---------|
| D231,834 S * | 6/1974  | Gulrich .....   | D15/144 |
| D269,519 S * | 6/1983  | Braun .....     | D15/138 |
| D371,058 S * | 6/1996  | Walters .....   | 219/119 |
| D414,788 S * | 10/1999 | Shintani .....  | D15/144 |
| D420,374 S * | 2/2000  | Zigliotto ..... | D15/144 |
| D446,795 S * | 8/2001  | Shintani .....  | D15/144 |
| D451,113 S * | 11/2001 | Shintani .....  | D15/144 |
| D499,124 S * | 11/2004 | Kuraoka .....   | D15/144 |
| D517,576 S * | 3/2006  | Conway .....    | D15/144 |
| D517,577 S * | 3/2006  | Conway .....    | D15/144 |

|              |         |                  |           |
|--------------|---------|------------------|-----------|
| D527,401 S * | 8/2006  | Mizuno .....     | D15/144   |
| D535,672 S * | 1/2007  | MacKenzie .....  | D15/144   |
| D536,009 S * | 1/2007  | MacKenzie .....  | D15/144   |
| D653,270 S * | 1/2012  | Furujo .....     | D15/144   |
| D654,939 S * | 2/2012  | Furujo .....     | D15/144   |
| D654,940 S * | 2/2012  | Furujo .....     | D15/144   |
| D669,509 S * | 10/2012 | Krink .....      | D15/144.1 |
| D697,956 S * | 1/2014  | Davis .....      | D15/144   |
| D714,372 S * | 9/2014  | Savill, Jr. .... | D15/144   |
| D719,200 S * | 12/2014 | Hassan .....     | D15/144   |
| D720,784 S * | 1/2015  | Hassan .....     | D15/144   |
| D721,111 S * | 1/2015  | Hassan .....     | D15/144   |
| D726,794 S * | 4/2015  | Kang .....       | D15/144   |
| D728,647 S * | 5/2015  | Savill, Jr. .... | D15/144   |
| D728,649 S * | 5/2015  | Hassan .....     | D15/144   |
| D733,776 S * | 7/2015  | Buttiker .....   | D15/144   |
| D735,787 S * | 8/2015  | Hassan .....     | D15/144   |
| D736,285 S * | 8/2015  | Hassan .....     | D15/144   |

\* cited by examiner

*Primary Examiner* — Patricia Palasik

(74) *Attorney, Agent, or Firm* — Kacvinsky Daisak Bluni PLLC

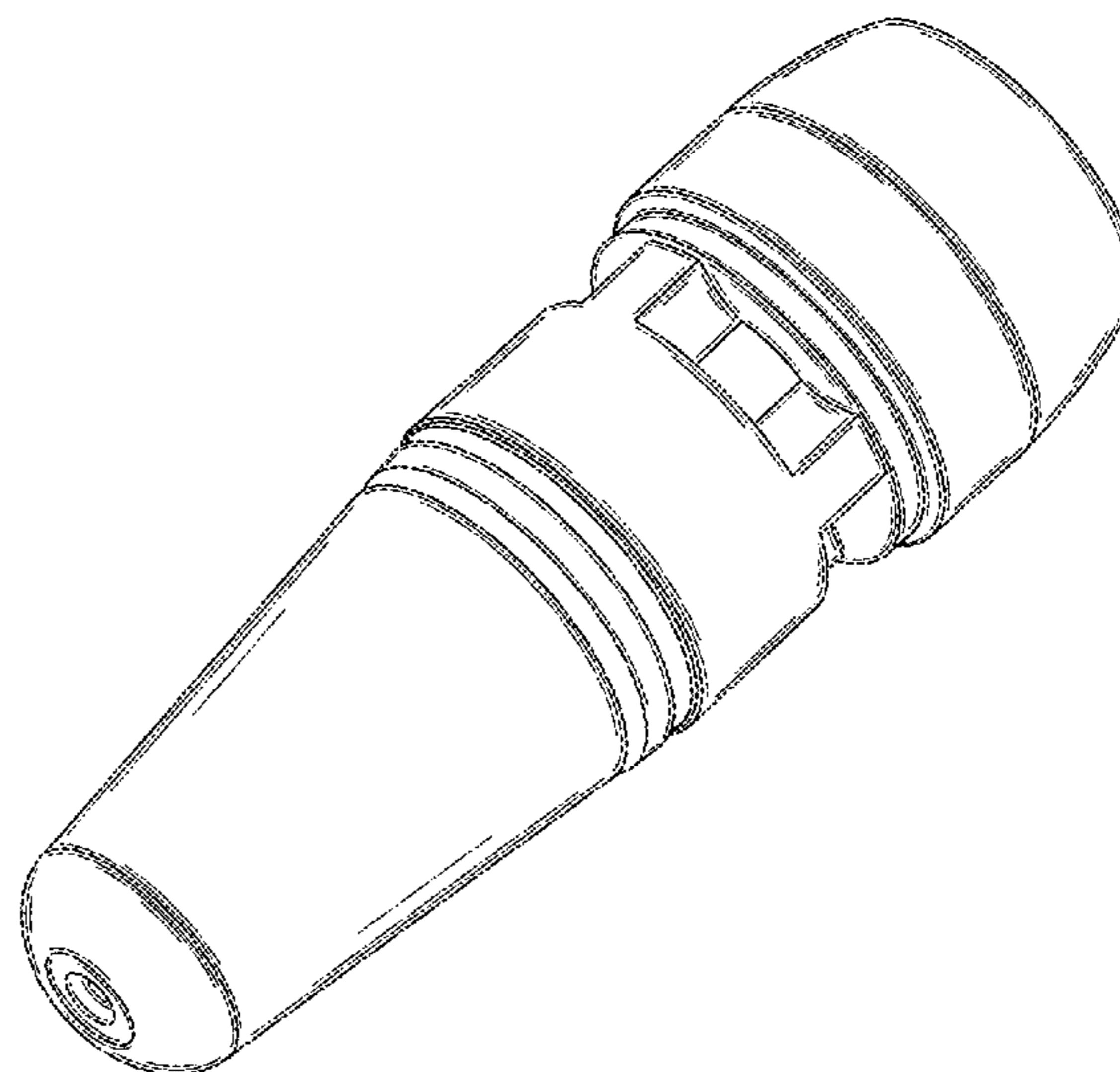
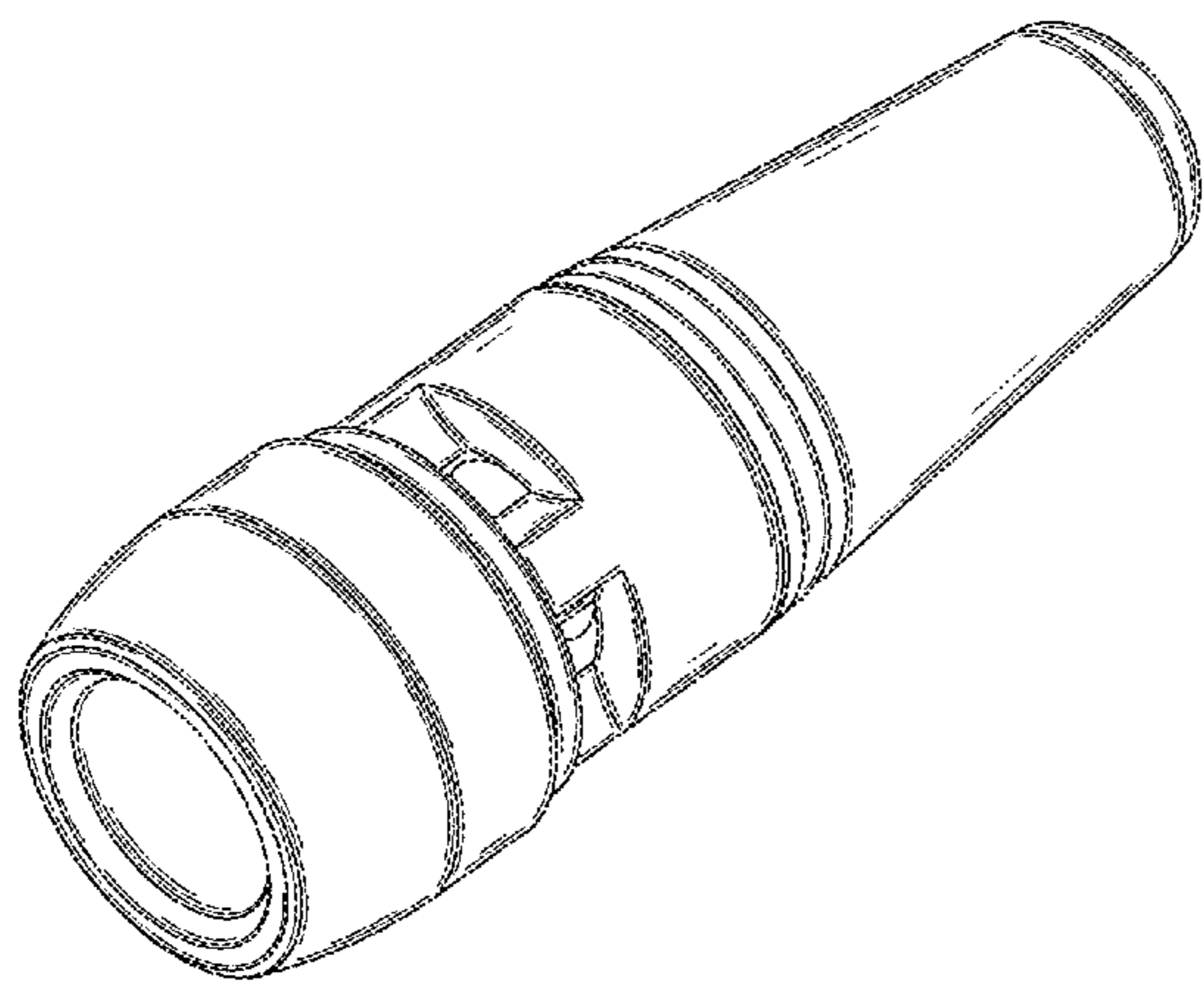
(57) **CLAIM**

The ornamental design for a medium duty tapered contact tip, as shown and described.

**DESCRIPTION**

FIG. 1 is a perspective view of the medium duty tapered contact tip;  
FIG. 2 is another perspective view;  
FIG. 3 is a side view;  
FIG. 4 is a front view; and,  
FIG. 5 is a rear view.

**1 Claim, 5 Drawing Sheets**



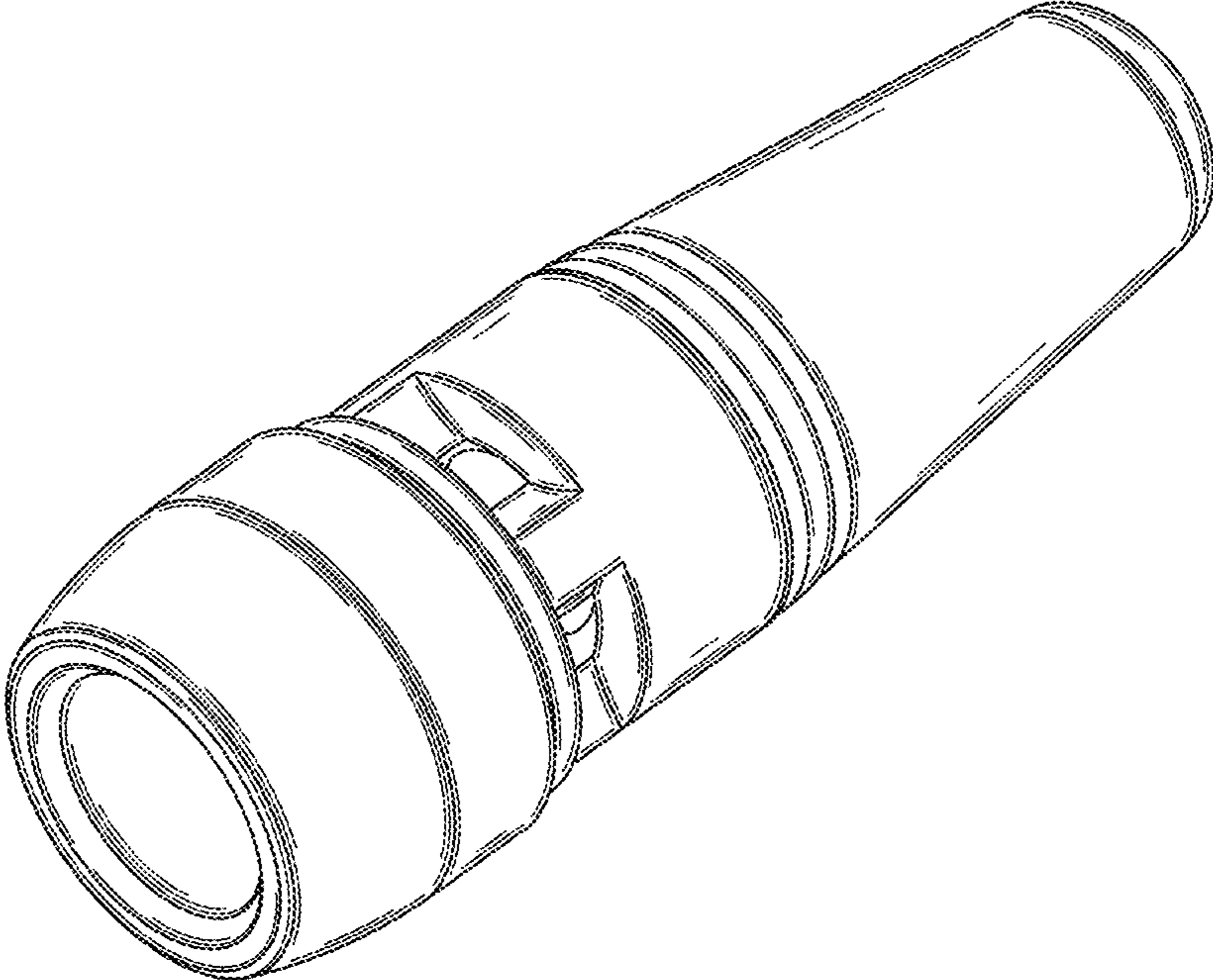


FIG. 1

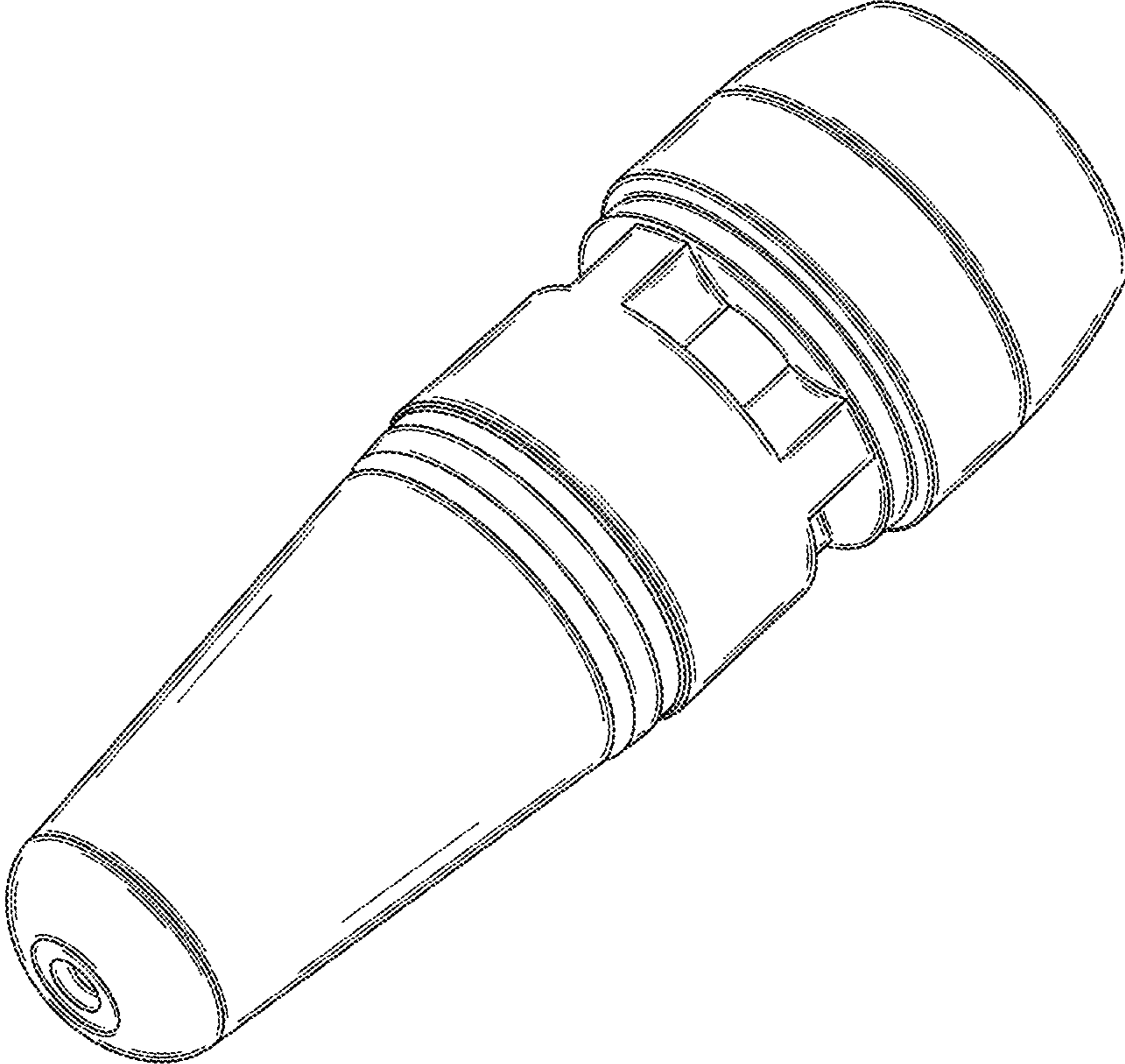


FIG. 2

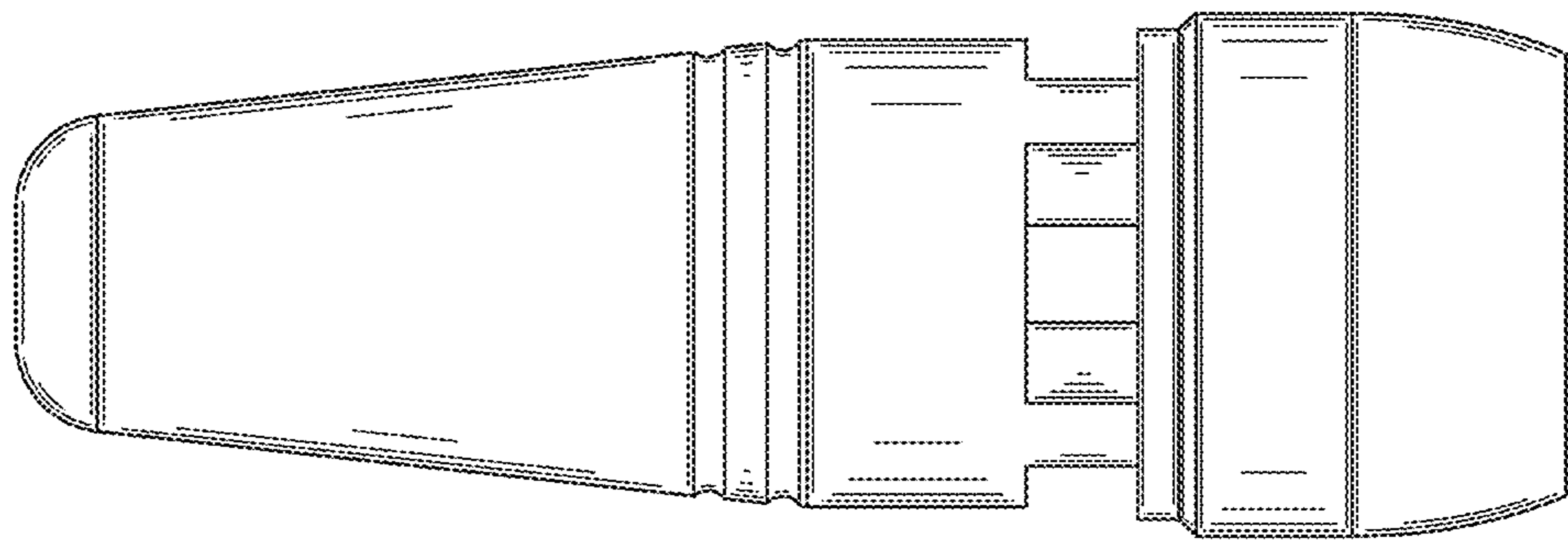


FIG. 3

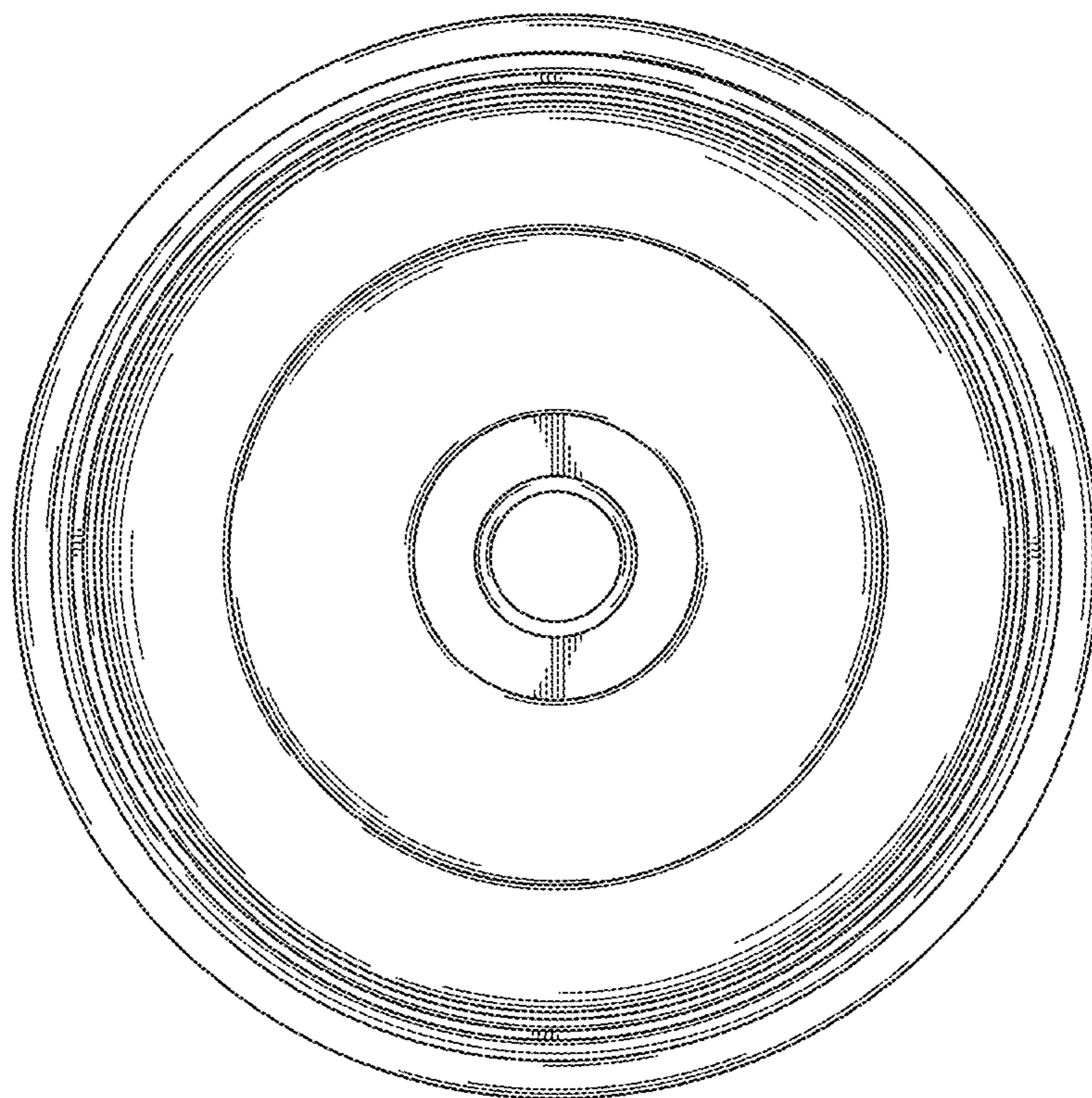


FIG. 4

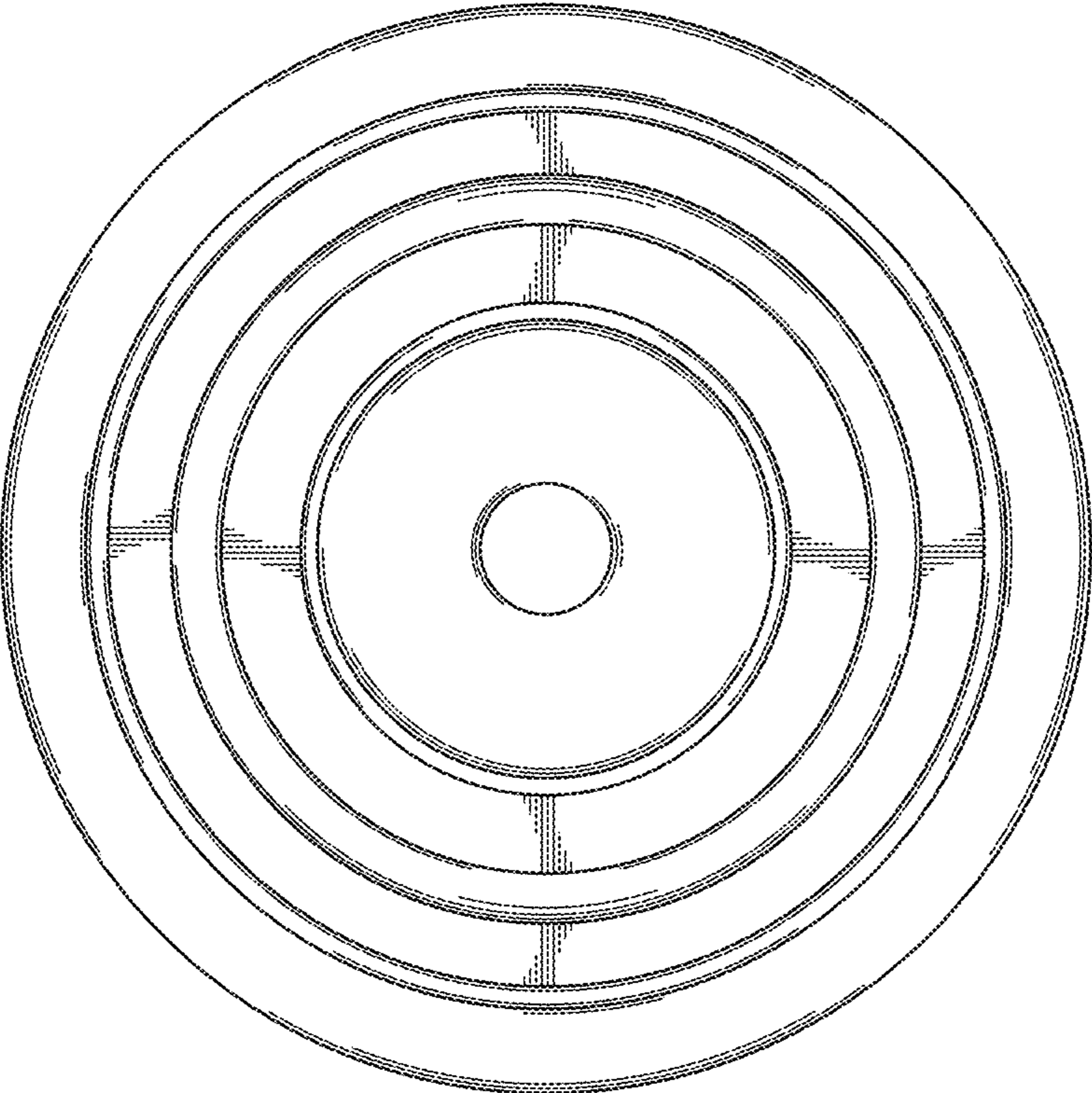


FIG. 5