



US00D747376S

(12) **United States Design Patent**
Koike

(10) **Patent No.:** **US D747,376 S**

(45) **Date of Patent:** **** Jan. 12, 2016**

(54) **CUTTING WORK BODY**

(71) Applicant: **Sumitomo Electric Hardmetal Corp.**,
Itami-shi (JP)

(72) Inventor: **Yusuke Koike**, Itami (JP)

(73) Assignee: **SUMITOMO ELECTRIC
HARDMETAL CORP.**, Itami-shi (JP)

(**) Term: **14 Years**

(21) Appl. No.: **29/508,967**

(22) Filed: **Nov. 12, 2014**

(30) **Foreign Application Priority Data**

May 12, 2014 (JP) D2014-010114

(51) **LOC (10) CL.** **15-09**

(52) **U.S. CL.**
USPC **D15/131; D15/129**

(58) **Field of Classification Search**
USPC D15/131, 138, 139, 140
See application file for complete search history.

(56) **References Cited**

U.S. PATENT DOCUMENTS

- 4,367,991 A * 1/1983 Grafe B23B 27/141
408/186
- D308,874 S * 6/1990 Tsujimura 407/40
- D309,317 S * 7/1990 Tsujimura 407/40
- 5,071,292 A * 12/1991 Satran B23B 51/048
407/113
- 5,188,490 A * 2/1993 Muendlein B23B 29/03417
407/44
- D475,376 S * 6/2003 Sikstrom D15/139
- D541,320 S * 4/2007 Sjoo D15/139

- D541,321 S * 4/2007 Sjoo D15/139
- D615,572 S * 5/2010 Harpaz D15/139
- D617,358 S * 6/2010 Guse D15/139
- D620,034 S * 7/2010 Sjoo D15/139
- D717,847 S * 11/2014 Mikado D15/139
- 2007/0031200 A1 * 2/2007 Maeda B23C 5/109
407/34
- 2011/0135408 A1 * 6/2011 Saji B23C 5/109
407/41
- 2013/0045061 A1 * 2/2013 Ishi B23C 5/202
409/132
- 2014/0178135 A1 * 6/2014 Yamamoto B23C 5/109
407/42
- 2014/0212228 A1 * 7/2014 Horiike B23C 5/109
407/42
- 2014/0334890 A1 * 11/2014 Takahashi B23C 5/2213
407/114
- 2015/0231705 A1 * 8/2015 Sashin B23B 27/1696
407/89

* cited by examiner

Primary Examiner — Patricia Palasik

(74) *Attorney, Agent, or Firm* — Venable LLP; Michael A. Sartori; Tamatane J. Aga

(57) **CLAIM**

The ornamental design for a cutting work body, as shown and described.

DESCRIPTION

FIG. 1 is a top perspective view of a cutting work body showing my new design;
FIG. 2 is a front view thereof;
FIG. 3 is a rear view thereof;
FIG. 4 is a left side view thereof;
FIG. 5 is a right side view thereof; and,
FIG. 6 is a top view thereof, the bottom view being a mirror image.

1 Claim, 5 Drawing Sheets

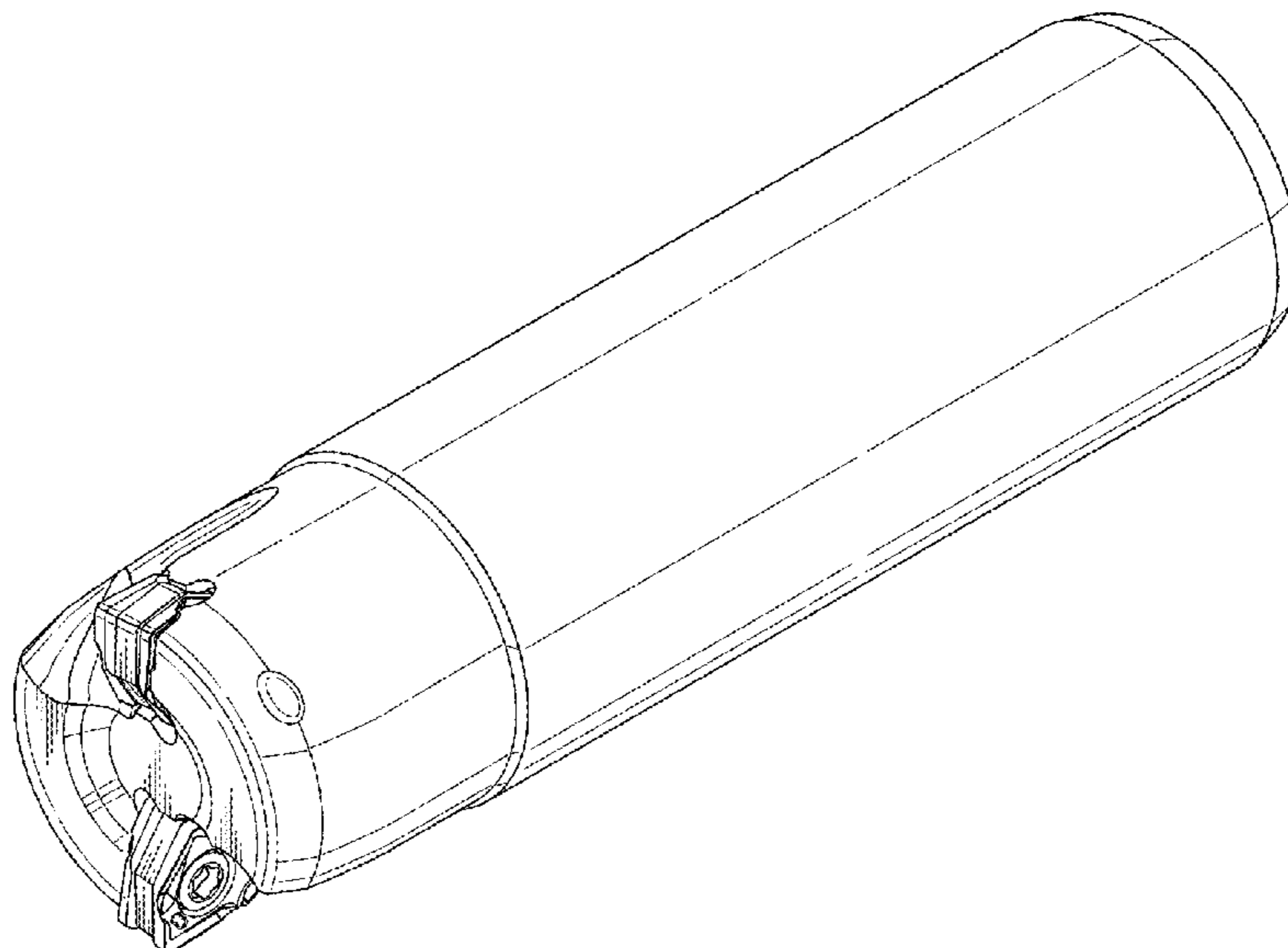


Fig. 1

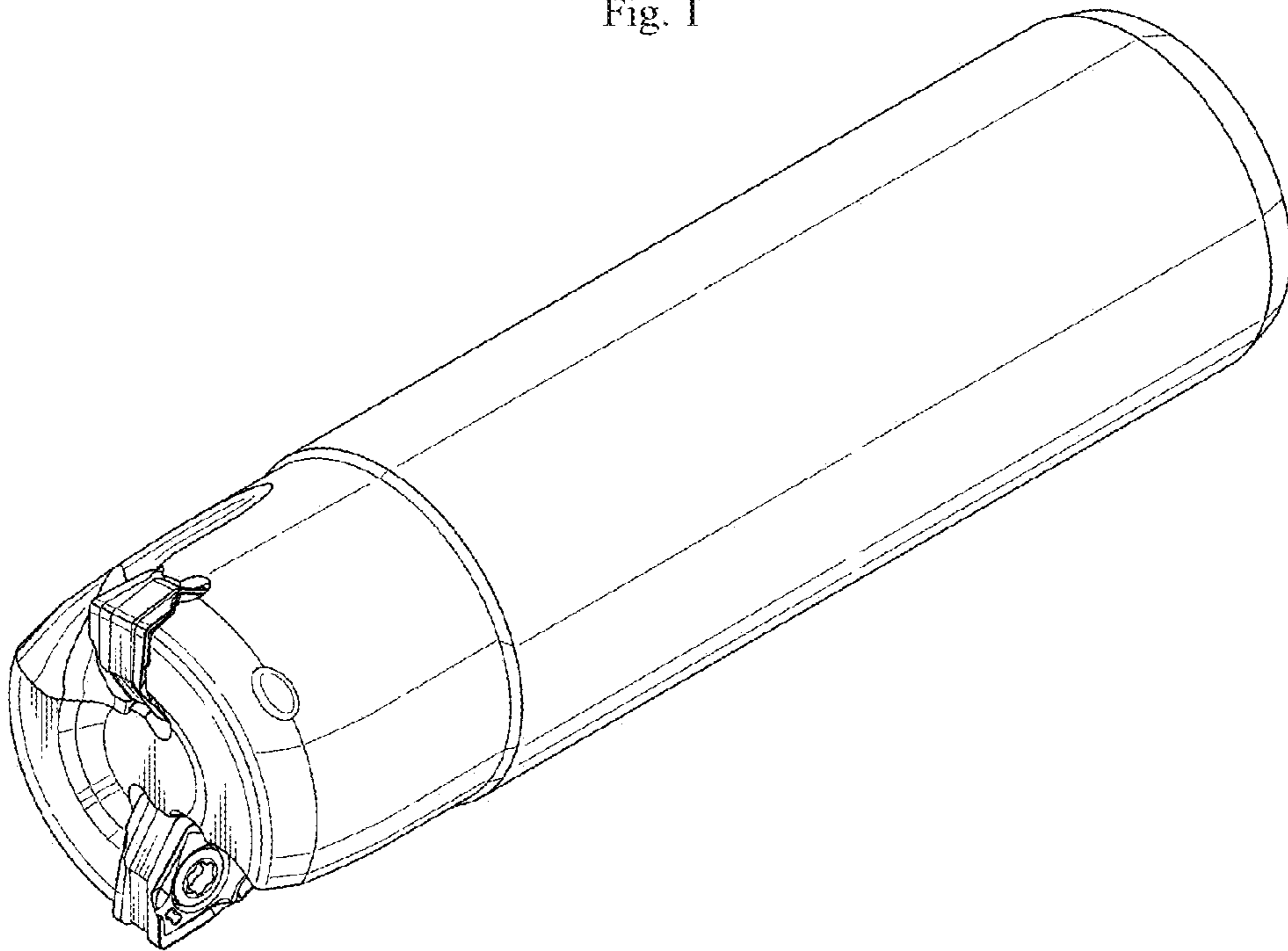


Fig. 2

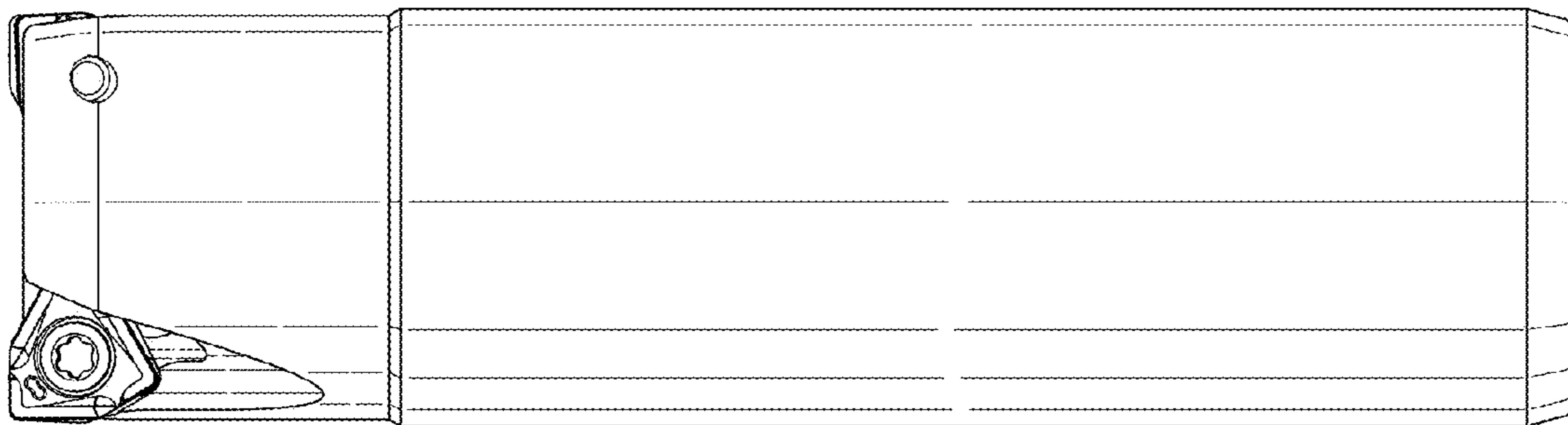


Fig. 3

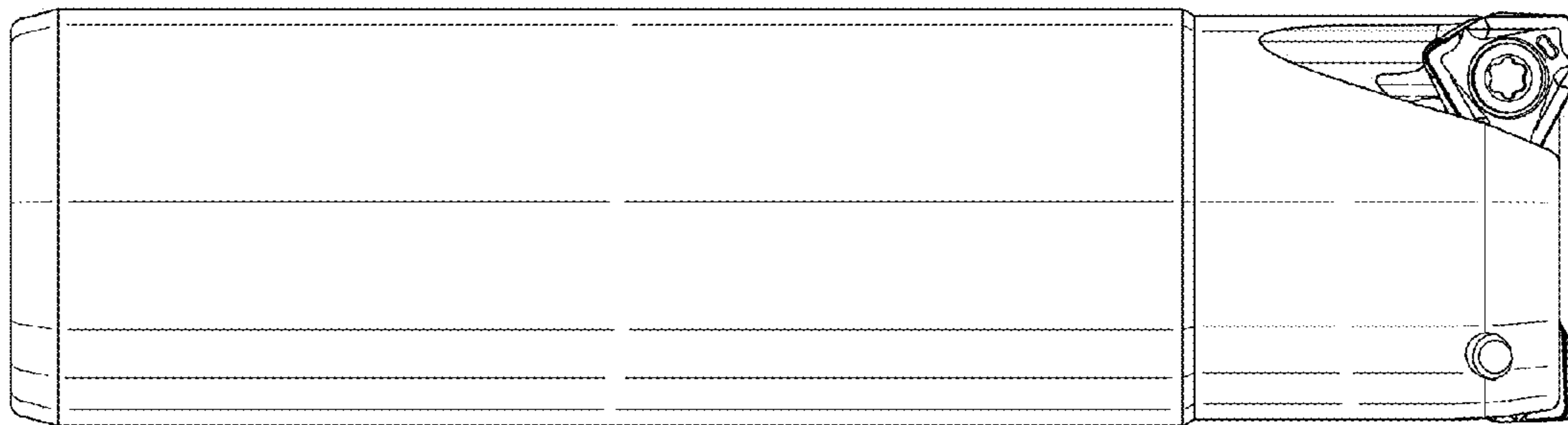


Fig. 4

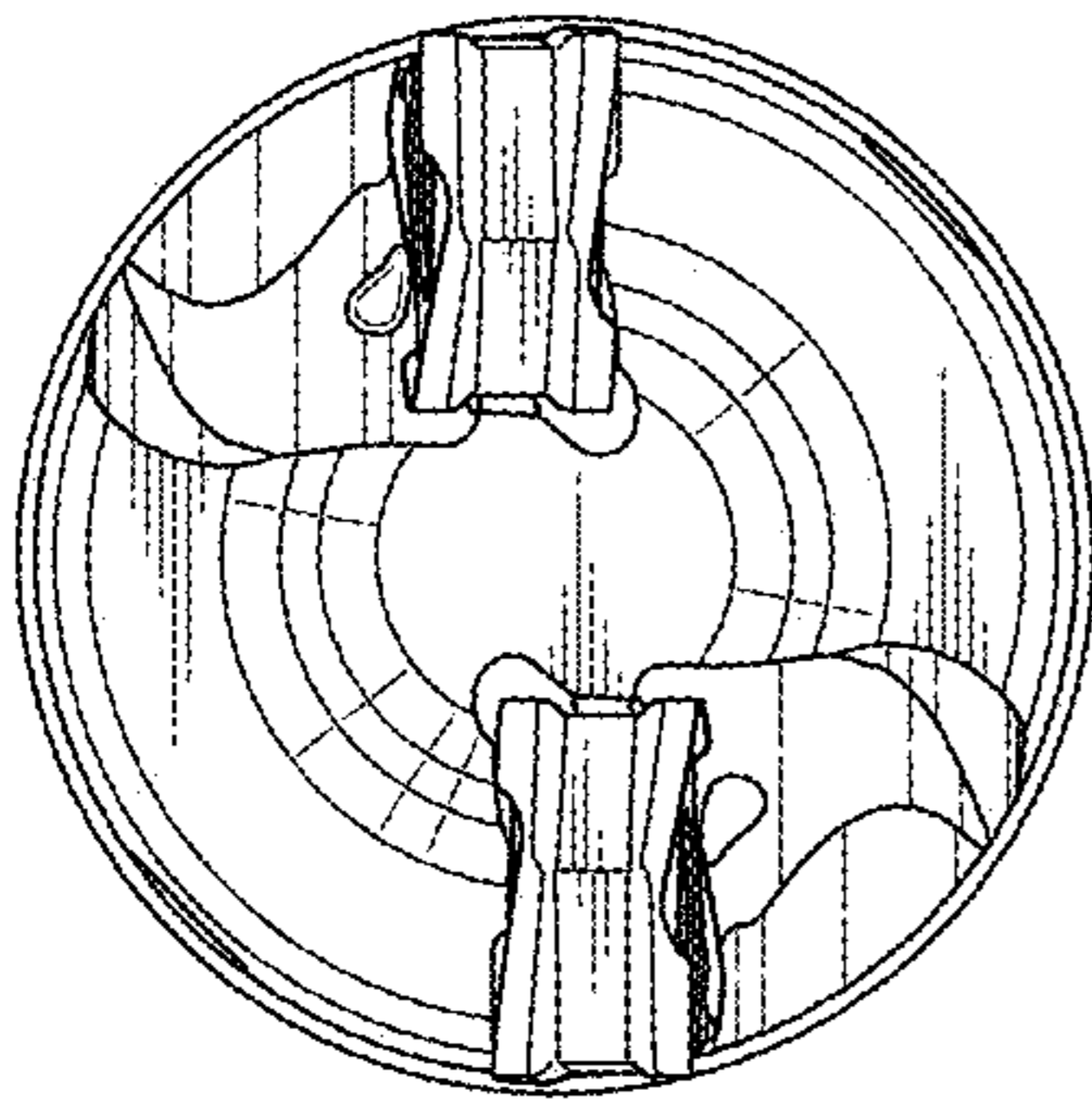


Fig. 5

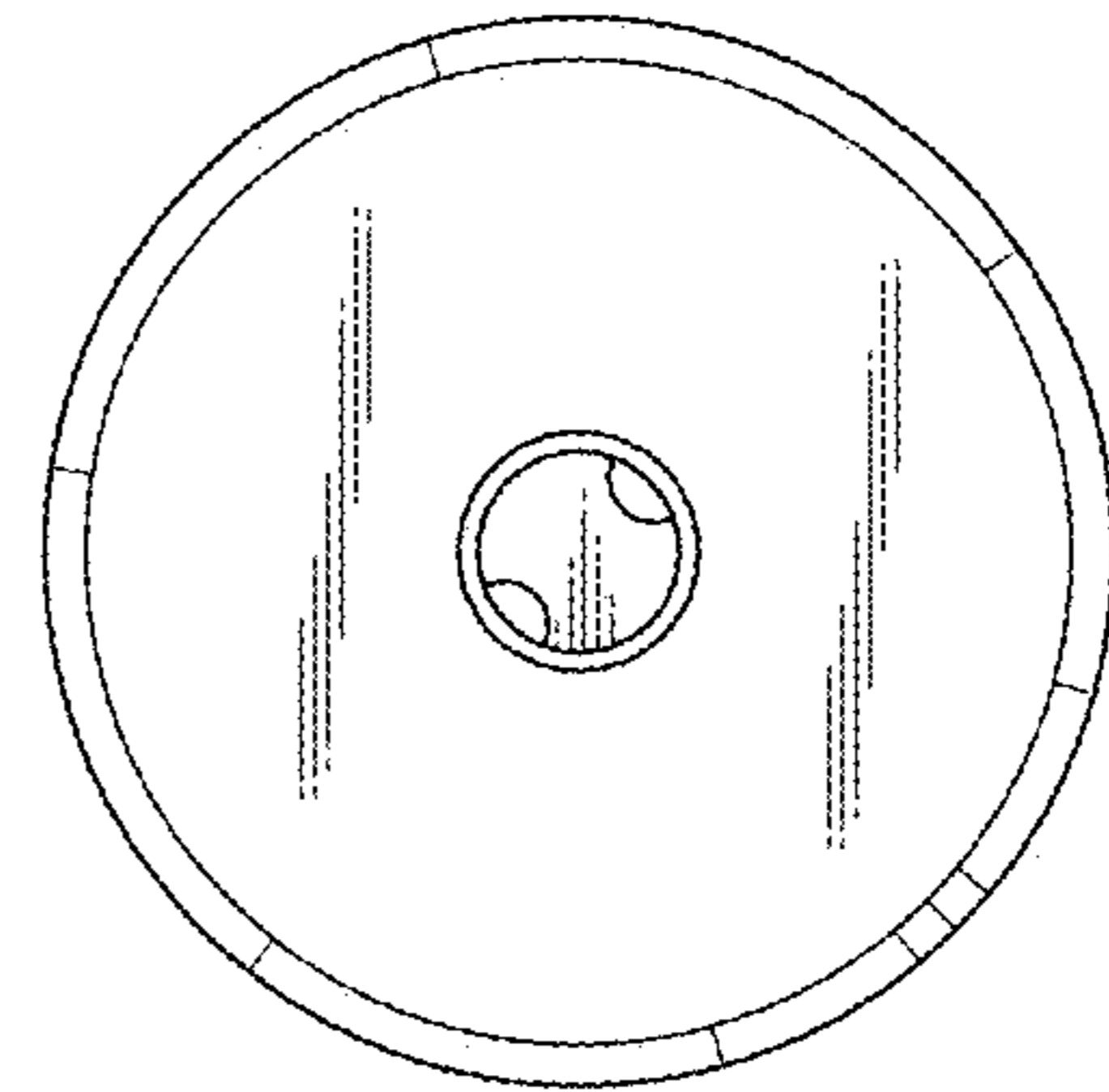


Fig. 6

