



US00D747375S

(12) **United States Design Patent**
Nash

(10) **Patent No.:** **US D747,375 S**
(45) **Date of Patent:** **** Jan. 12, 2016**

(54) **SLURRY SAND BLASTING POT**

(71) Applicant: **GREENER BLAST TECHNOLOGIES, INC.**,
Tyngsborough, MA (US)

(72) Inventor: **Robert F. Nash**, Tyngsborough, MA
(US)

(73) Assignee: **Greener Blast Technologies, Inc.**,
Tyngsboro, MA (US)

(**) Term: **15 Years**

(21) Appl. No.: **29/538,086**

(22) Filed: **Sep. 1, 2015**

5,024,029 A	6/1991	Abbott et al.	
5,135,394 A *	8/1992	Hakamatsuka	A61C 8/00 433/173
5,325,639 A *	7/1994	Kuboyama	
5,827,114 A *	10/1998	Yam	B24C 1/086 451/40
D420,973 S *	2/2000	Kalarney	D13/102
6,582,442 B2	6/2003	Simon et al.	
D552,637 S	10/2007	Dore	
D614,213 S *	4/2010	Martinez	D15/124
7,707,961 B2 *	5/2010	Alexander	B05B 9/002 118/302
D669,922 S	10/2012	Eliason	
D706,317 S	6/2014	Eliason	
8,764,513 B1 *	7/2014	Spears	B24C 9/006 451/2
2008/0287039 A1	11/2008	Connelly	
2011/0053464 A1	3/2011	Fowler, III	
2012/0015592 A1	1/2012	Eliason	

Related U.S. Application Data

(63) Continuation-in-part of application No.
PCT/US2014/558250, filed on Sep. 16, 2014.

(51) **LOC (10) Cl.** **15-09**

(52) **U.S. Cl.**
USPC **D15/124**

(58) **Field of Classification Search**
USPC D15/122, 124; 451/39
CPC B24C 9/006; B24C 1/02; B24C 1/086;
B24C 7/0046; B24C 7/00; B01F 3/04539;
B05B 9/002; A61C 8/00
See application file for complete search history.

(56) **References Cited**

U.S. PATENT DOCUMENTS

1,877,255 A *	9/1932	Sammis	B24C 7/00 137/625.48
2,825,542 A *	3/1958	Jackson	B01F 3/04539 261/87
D223,510 S *	4/1972	Racca et al.	D15/122
4,439,073 A *	3/1984	White	B24C 7/0046 291/25

FOREIGN PATENT DOCUMENTS

WO 2015042032 A1 3/2015

* cited by examiner

Primary Examiner — Cynthia Underwood

(57) **CLAIM**

The ornamental design for a slurry sand blasting pot, as shown and described.

DESCRIPTION

FIG. 1 is a perspective view of the pot;
FIG. 2 is a top view of the pot;
FIG. 3 is a back view of the pot;
FIG. 4 is a front side view of the pot;
FIG. 5 is a bottom view of the pot;
FIG. 6 is a left side view of the pot; and,
FIG. 7 is a right side view of the pot.
The broken lines shown in the drawings of the pot are provided merely for the purpose of illustrating environmental structure and form no part of the claimed design.

1 Claim, 4 Drawing Sheets

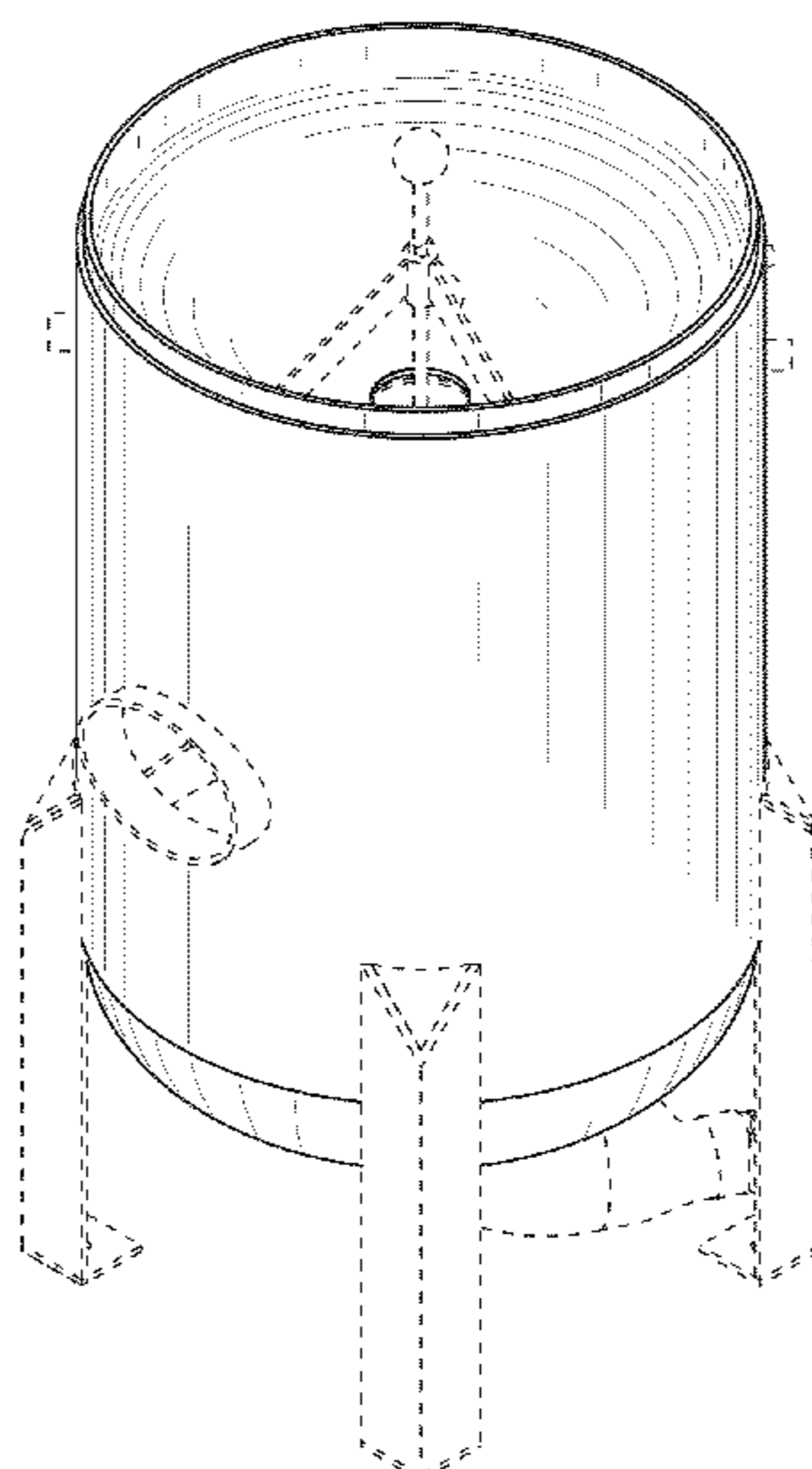


FIG. 1

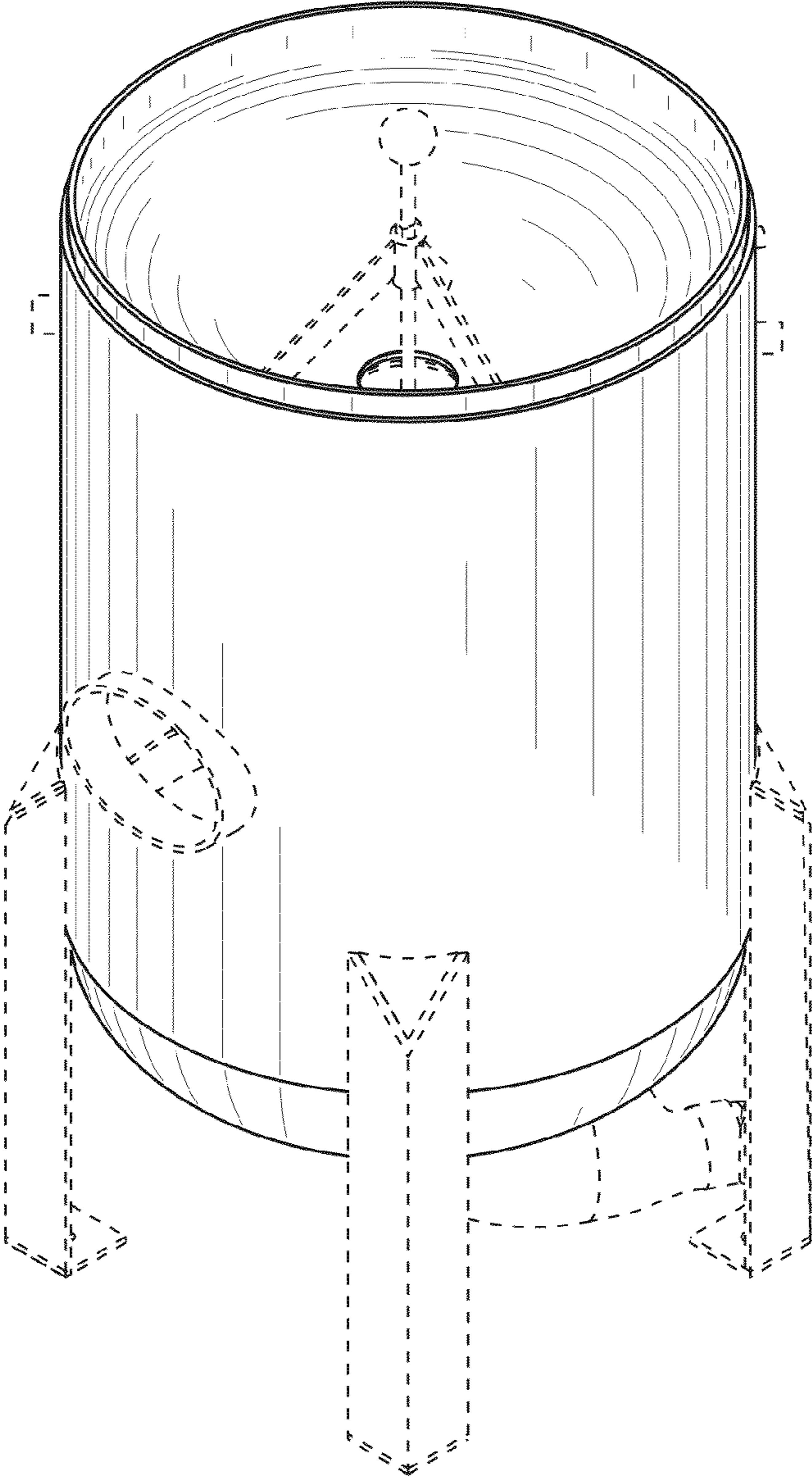


FIG. 2

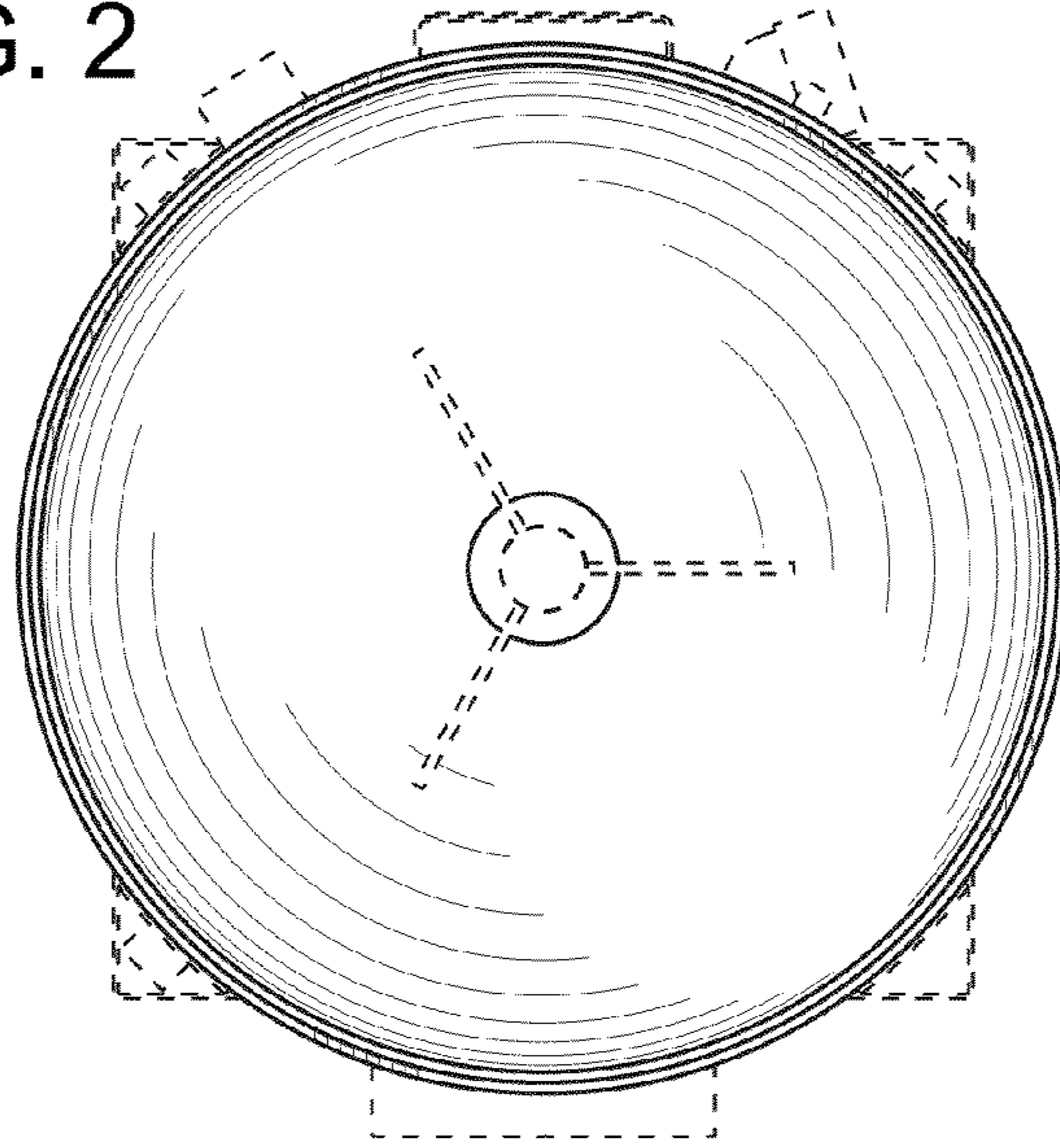


FIG. 3

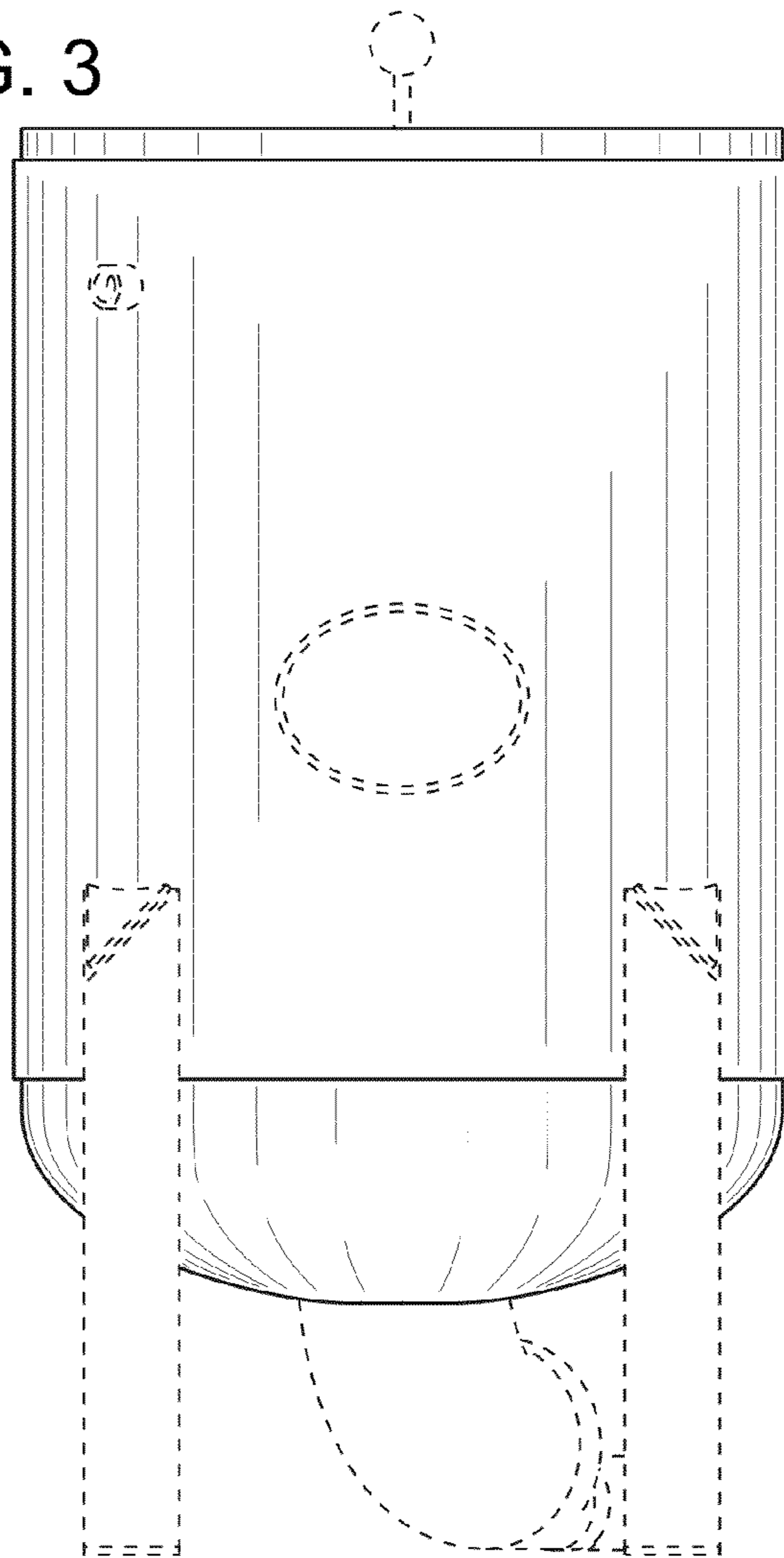


FIG. 4

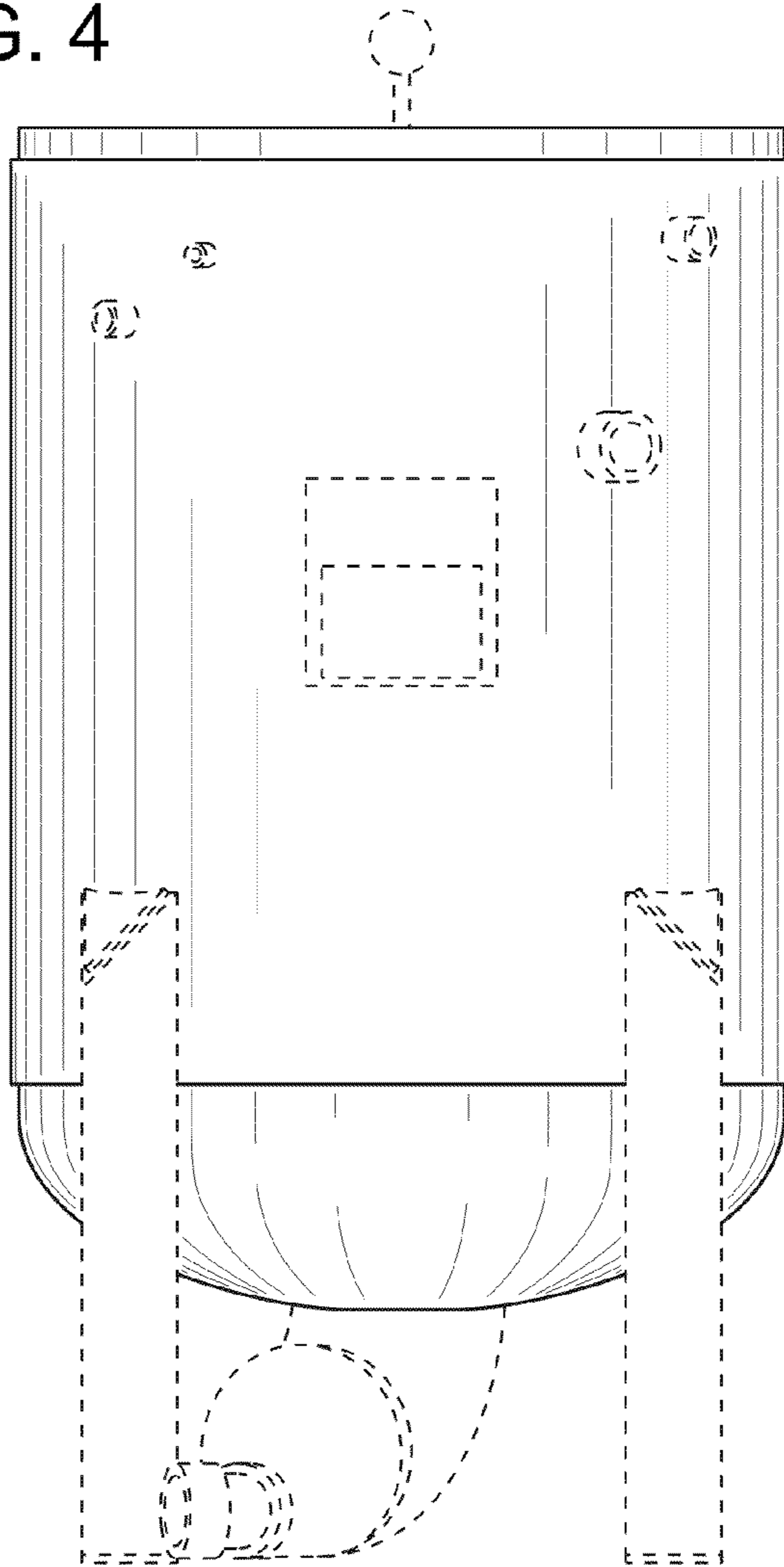


FIG. 5

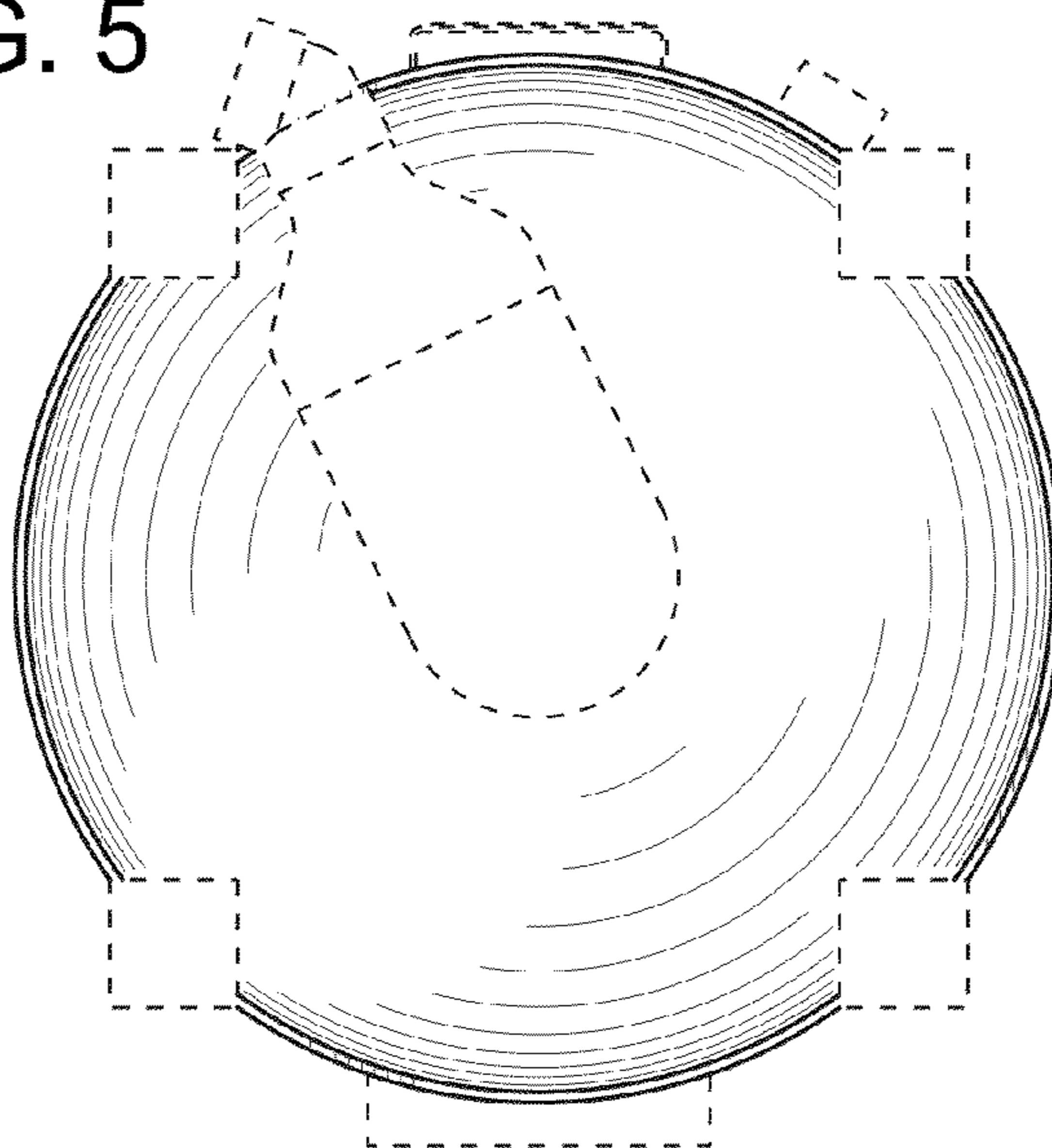


FIG. 7

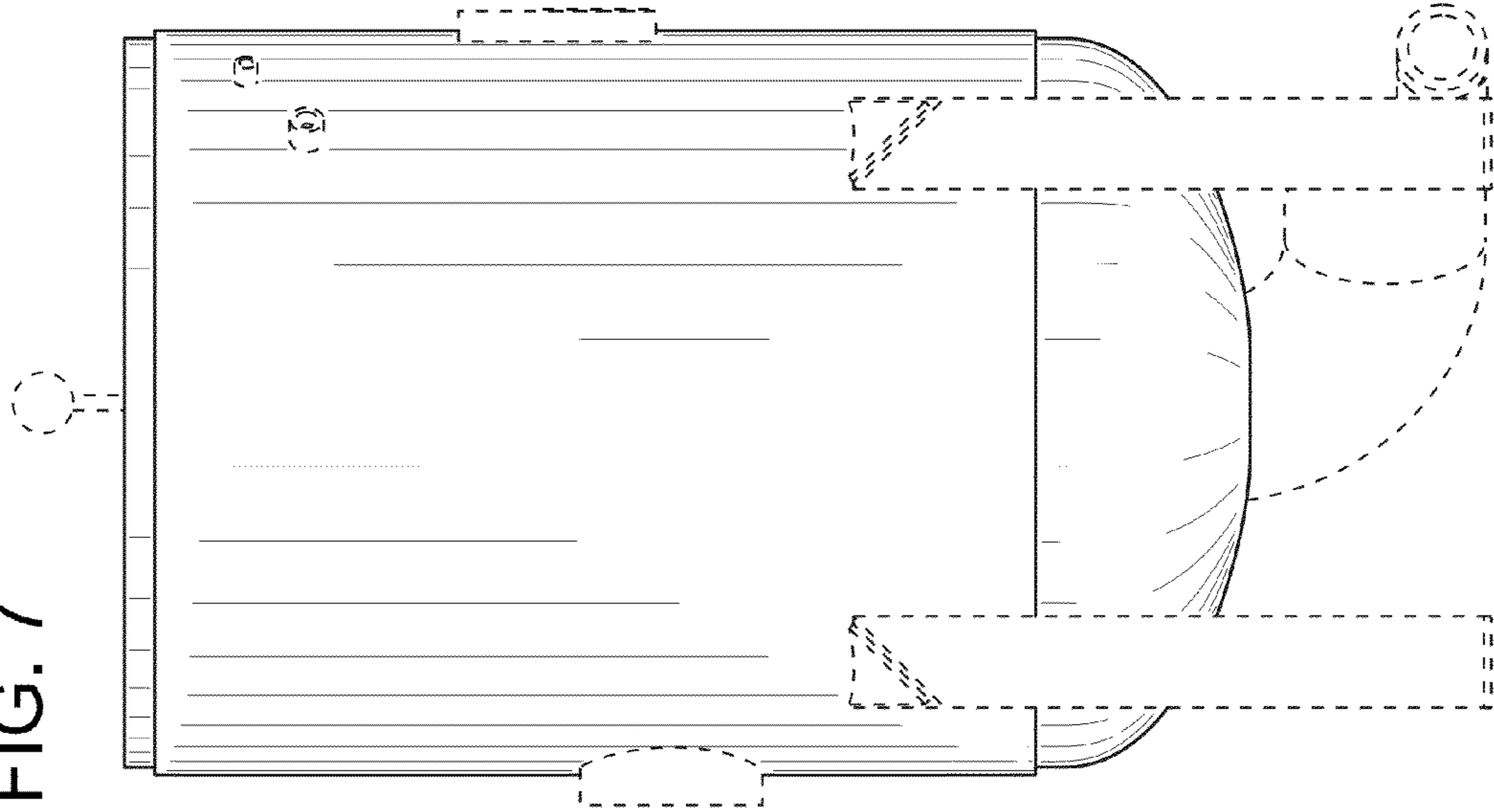


FIG. 6

