



US00D747374S

(12) **United States Design Patent**
Anantha et al.

(10) **Patent No.:** **US D747,374 S**

(45) **Date of Patent:** **** Jan. 12, 2016**

(54) **FILAMENT SPOOL HOLDER FOR
THREE-DIMENSIONAL PRINTER**

(71) Applicant: **MakerBot Industries, LLC**, Brooklyn,
NY (US)

(72) Inventors: **Vishnu Anantha**, Queens, NY (US);
Jackson Seidenberg, Brooklyn, NY
(US); **Taylor S. Goodman**, Chappaqua,
NY (US); **William B. Buel**, Sunnyvale,
CA (US); **Jack W. Poon**, Brooklyn, NY
(US); **Aljosa Kemperle**, Brooklyn, NY
(US)

(73) Assignee: **MakerBot Industries, LLC**, Brooklyn,
NY (US)

(**) Term: **14 Years**

(21) Appl. No.: **29/485,355**

(22) Filed: **Mar. 18, 2014**

(51) **LOC (10) Cl.** **15-09**

(52) **U.S. Cl.**
USPC **D15/122**; D14/475

(58) **Field of Classification Search**
USPC D15/122, 138, 140; D14/475, 366, 367,
D14/442, 478, 260.1, 161, 484, 496;
D23/370, 411; D8/358, 359, 356, 308;
D22/137, 140; D12/206; D3/34;
242/118.7, 159, 171, 476.6, 608.8,
242/614.1; 206/412; 137/355.27; 254/213;
264/308
CPC B29C 37/00; B29C 37/0003; B29C 37/0053;
B29C 31/00; B29C 31/002; B29C 31/02;
B29C 31/04; B29C 67/0055; B29C 67/0085;
B65H 2701/52; B65H 49/322; B65H 63/036;
B65H 63/086; B65H 75/28

See application file for complete search history.

(56) **References Cited**

U.S. PATENT DOCUMENTS

2,106,726	A *	2/1938	Draeger	206/389
2,160,710	A *	5/1939	Roehrl	396/511
3,279,590	A *	10/1966	Gould et al.	242/588.6
3,356,311	A *	12/1967	Winkler et al.	242/348.1
D210,172	S *	2/1968	Roman et al.	D14/475
D215,360	S *	9/1969	Bundschuh	D14/475
D217,303	S *	4/1970	Ainslie	D14/475
D230,991	S *	3/1974	Catto	D14/475
3,951,264	A *	4/1976	Heidecker et al.	206/308.3
D260,514	S *	9/1981	Gell	D14/475
D264,340	S *	5/1982	Iftikar et al.	D14/367
D266,670	S *	10/1982	West	D14/367
D276,527	S *	11/1984	Flanigan	D14/435
D282,357	S *	1/1986	Gell	D14/475
4,608,617	A *	8/1986	Oishi et al.	360/133
D286,879	S *	11/1986	Viskochil	D14/367
5,011,010	A *	4/1991	Francis et al.	206/307
5,139,210	A *	8/1992	Schaffer	242/129
5,279,473	A *	1/1994	Rozon	242/377
5,492,284	A *	2/1996	Sorensen	242/348.2

(Continued)

Primary Examiner — Susan Bennett Hattan

Assistant Examiner — Marie Fast Horse

(74) *Attorney, Agent, or Firm* — Strategic Patents, P.C.

(57) **CLAIM**

The ornamental design for a filament spool holder for three-dimensional printer, as shown and described.

DESCRIPTION

FIG. 1 is a top perspective view of a design for a filament spool holder for three-dimensional printer.

FIG. 2 is a bottom perspective view of the design.

FIG. 3 is a left side view of the design.

FIG. 4 is a right side view of the design.

FIG. 5 is a front view of the design.

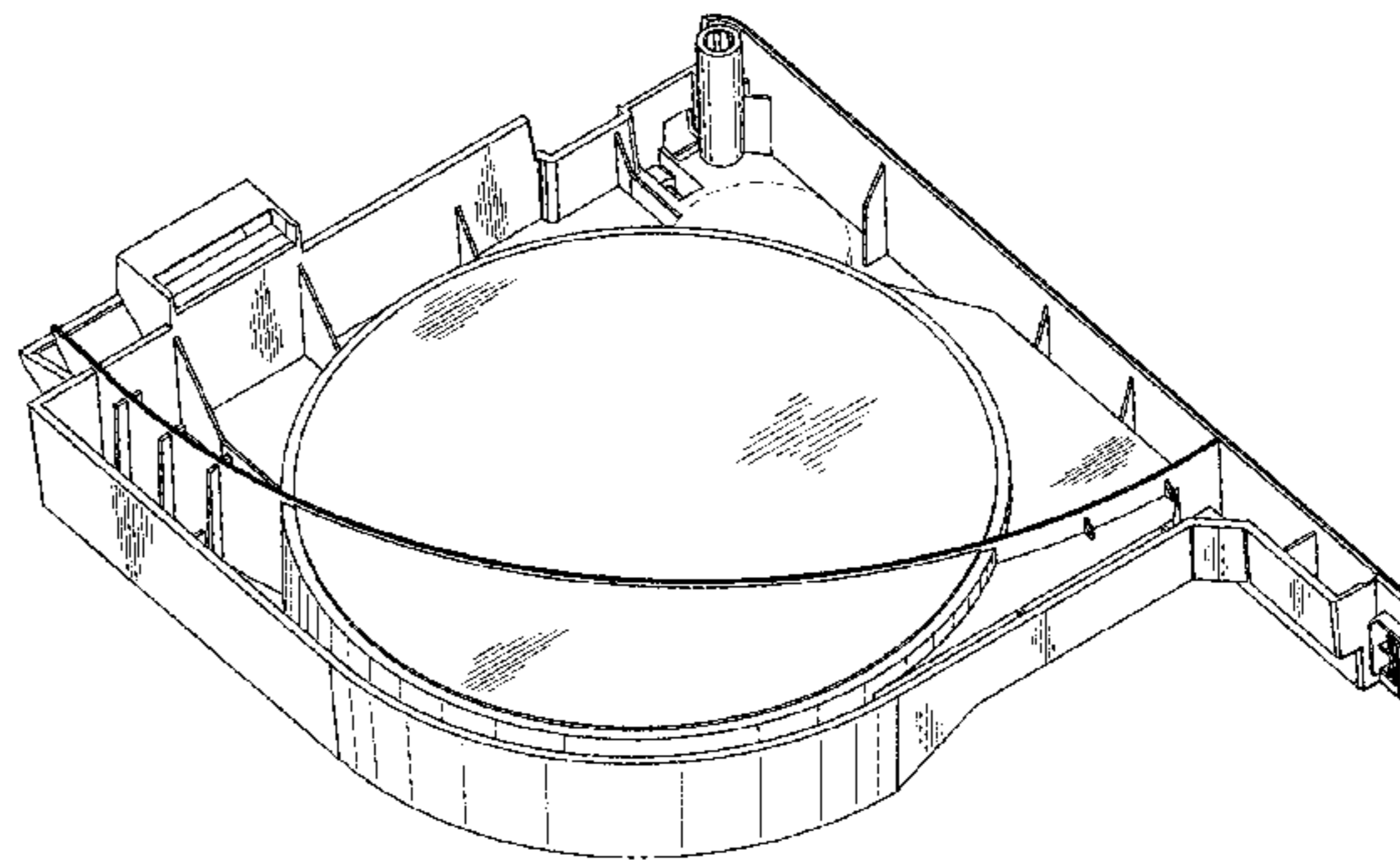
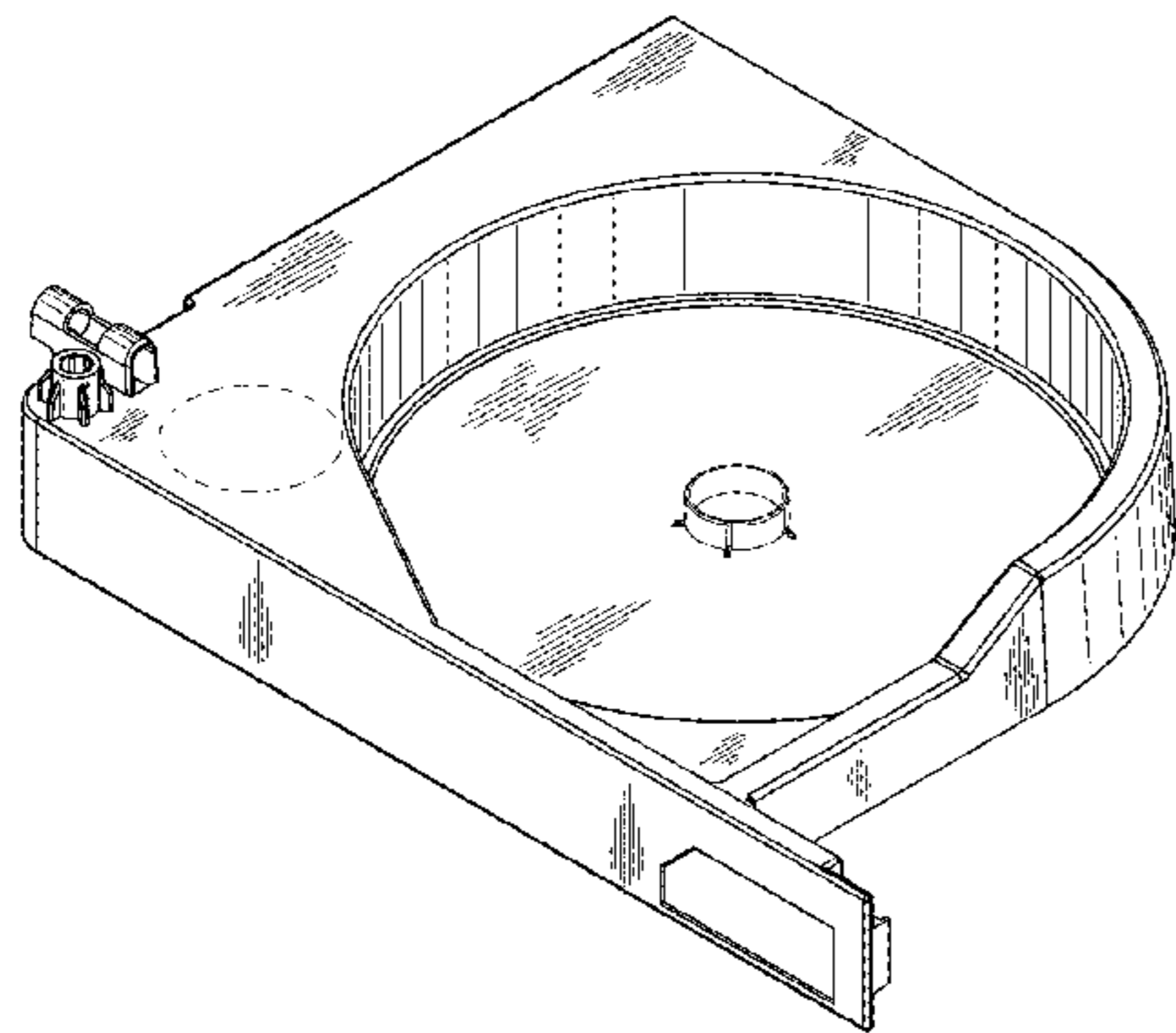
FIG. 6 is a back view of the design.

FIG. 7 is a top view of the design; and,

FIG. 8 is a bottom view of the design.

The broken lines showing portions of the filament spool holder for three-dimensional printer are for illustrative purposes only and form no part of the claimed design.

1 Claim, 4 Drawing Sheets



(56)

References Cited

U.S. PATENT DOCUMENTS

D424,551	S *	5/2000	Harata	D14/475	2003/0122027	A1 *	7/2003	Bootsman et al.	242/557
D434,394	S *	11/2000	Hsieh	D13/179	2005/0095126	A1 *	5/2005	Chang et al.	415/206
D436,111	S *	1/2001	Hahn et al.	D14/475	2006/0245922	A1 *	11/2006	Hsu et al.	415/206
D458,674	S *	6/2002	Ropponen	D23/411	2007/0001050	A1 *	1/2007	Taatjes et al.	242/598.6
D459,465	S *	6/2002	Ropponen	D23/411	2007/0284270	A1 *	12/2007	Huang	206/308.1
6,398,146	B1 *	6/2002	Cattaneo	242/379.2	2008/0019825	A1 *	1/2008	Chang et al.	415/204
D481,034	S *	10/2003	Okano et al.	D14/260.1	2008/0152479	A1 *	6/2008	Horng et al.	415/119
D488,857	S *	4/2004	Wintersteen et al.	D23/370	2010/0028144	A1 *	2/2010	Hung et al.	415/203
6,896,132	B1 *	5/2005	Frick	206/308.1	2010/0096485	A1 *	4/2010	Taatjes et al.	242/171
6,945,298	B2 *	9/2005	Ludvigsen	156/523	2010/0096489	A1 *	4/2010	Taatjes et al.	242/520
7,063,285	B1 *	6/2006	Turley et al.	242/171	2010/0230528	A1 *	9/2010	Singleton	242/588
D598,922	S *	8/2009	Taatjes et al.	D14/475	2010/0232948	A1 *	9/2010	Horng	415/182.1
7,571,872	B2 *	8/2009	Shiga	242/348	2010/0243784	A1 *	9/2010	Johanson et al.	242/422.4
D606,998	S *	12/2009	Taatjes et al.	D14/475	2010/0275560	A1 *	11/2010	Chen et al.	55/385.7
7,658,282	B2 *	2/2010	Costel	206/308.1	2011/0108251	A1 *	5/2011	Horng	165/121
D633,916	S *	3/2011	Taatjes et al.	D14/475	2011/0194930	A1 *	8/2011	Ai et al.	415/182.1
D650,787	S *	12/2011	Taatjes et al.	D14/475	2012/0012689	A1 *	1/2012	Alden	242/376
2001/0030383	A1 *	10/2001	Swanson et al.	264/308	2012/0207618	A1 *	8/2012	Horng	417/44.1
2002/0195364	A1 *	12/2002	Grcic et al.	206/403	2012/0234961	A1 *	9/2012	Harnage	242/416
						2014/0030075	A1 *	1/2014	Chen	415/182.1
						2014/0127009	A1 *	5/2014	Fujinawa et al.	415/206
						2014/0161653	A1 *	6/2014	Chung et al.	417/423.13

* cited by examiner

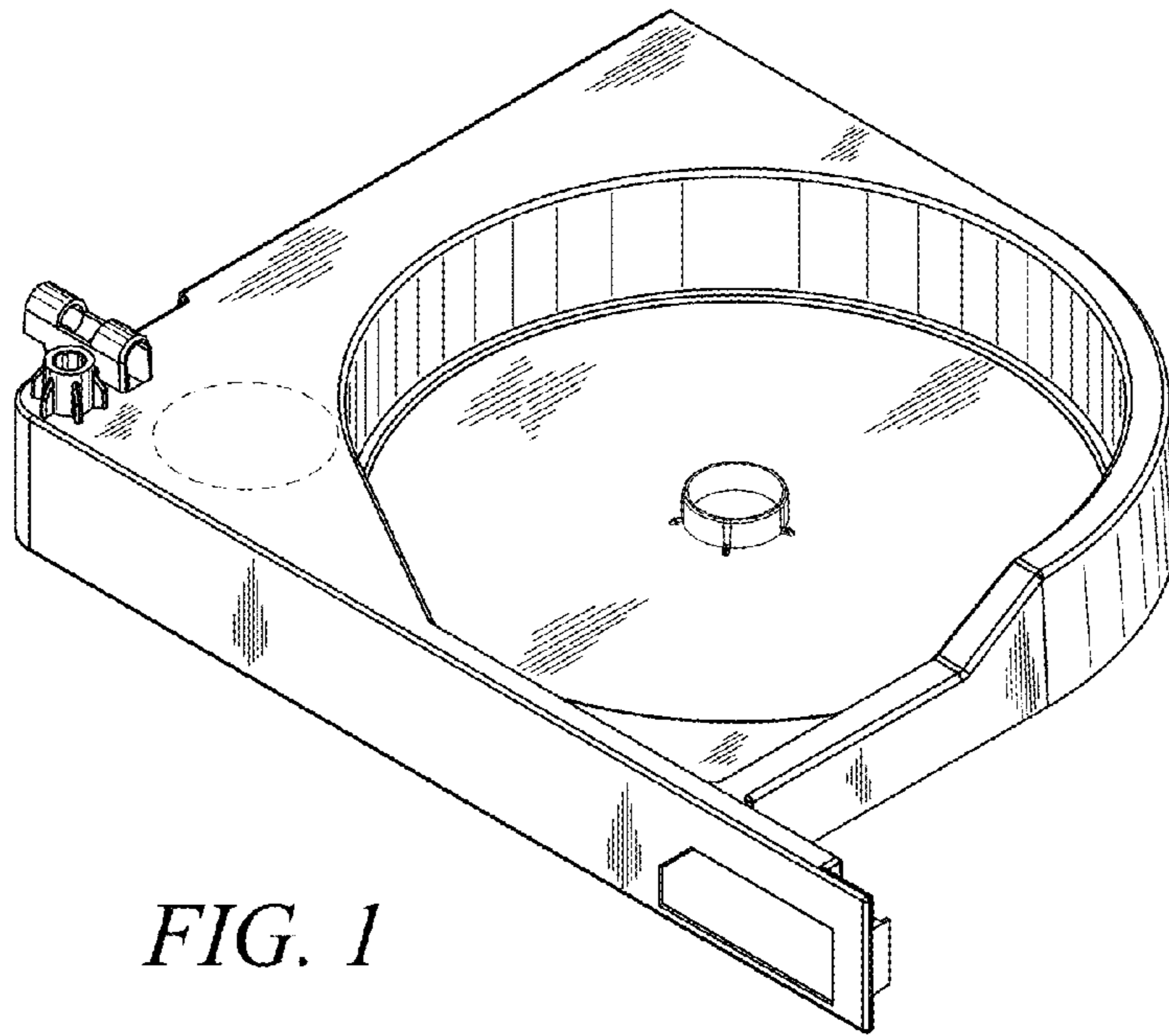


FIG. 1

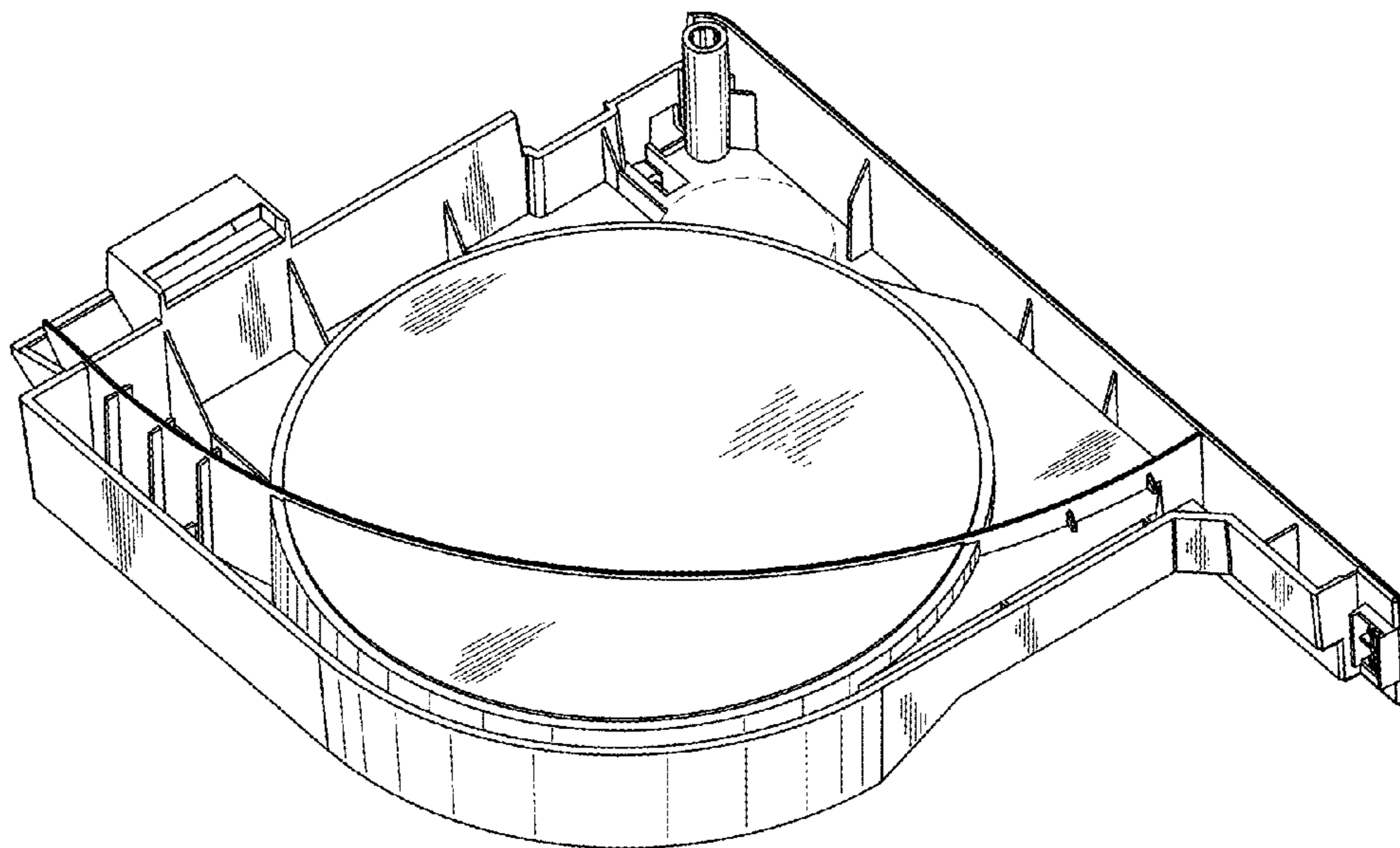


FIG. 2

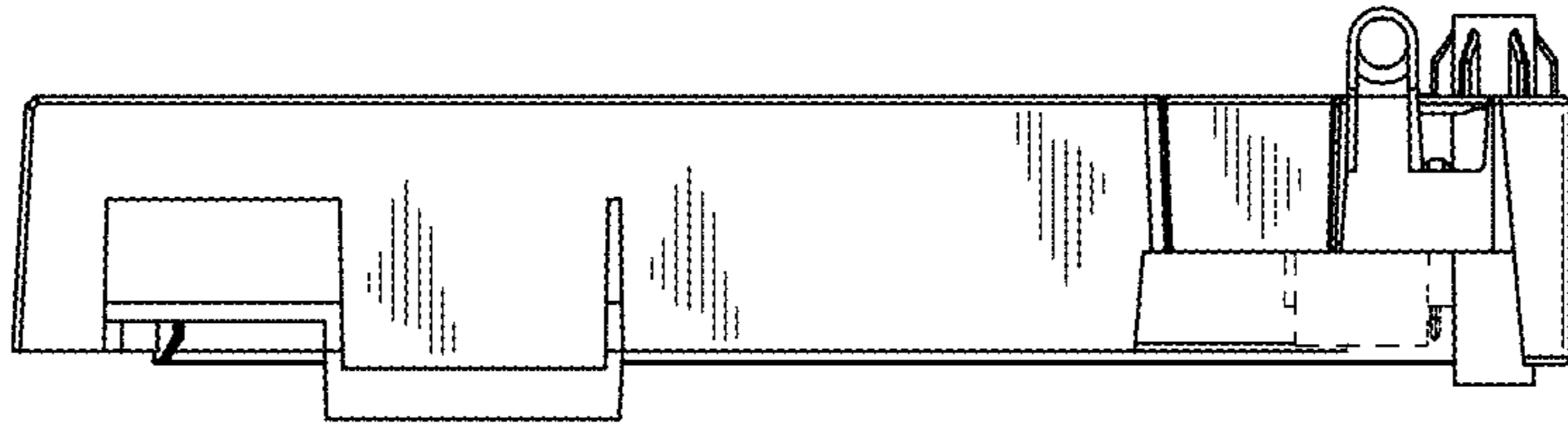


FIG. 3

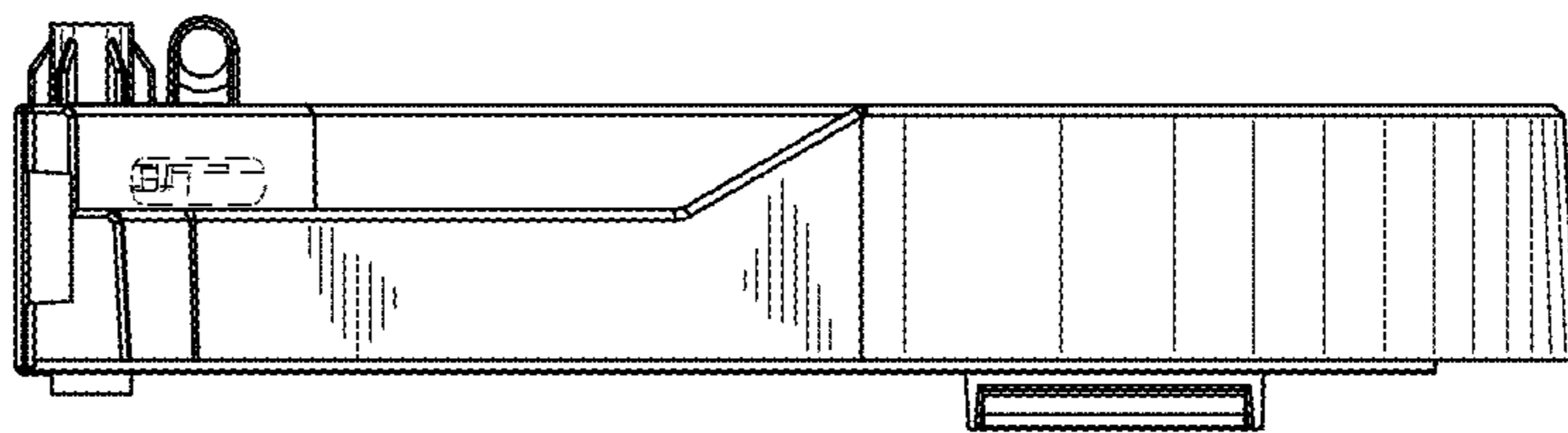


FIG. 4

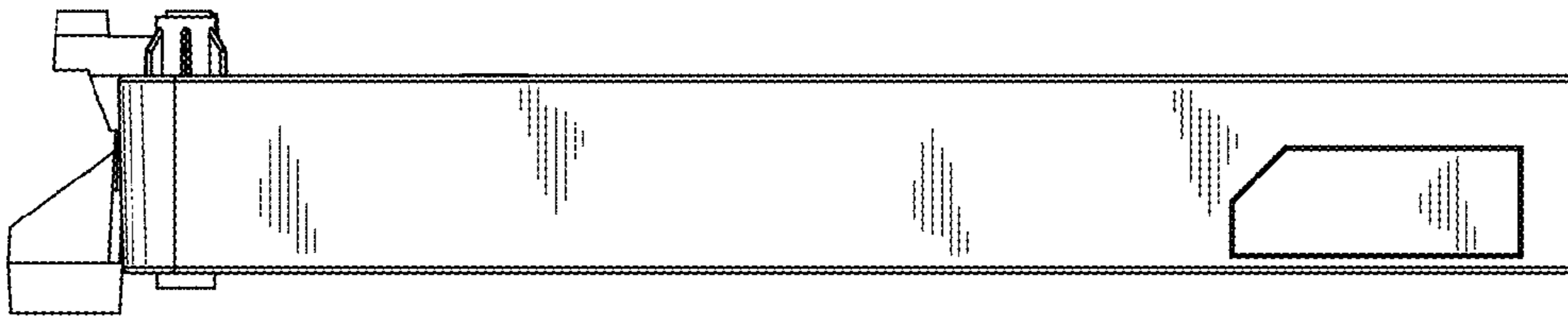


FIG. 5

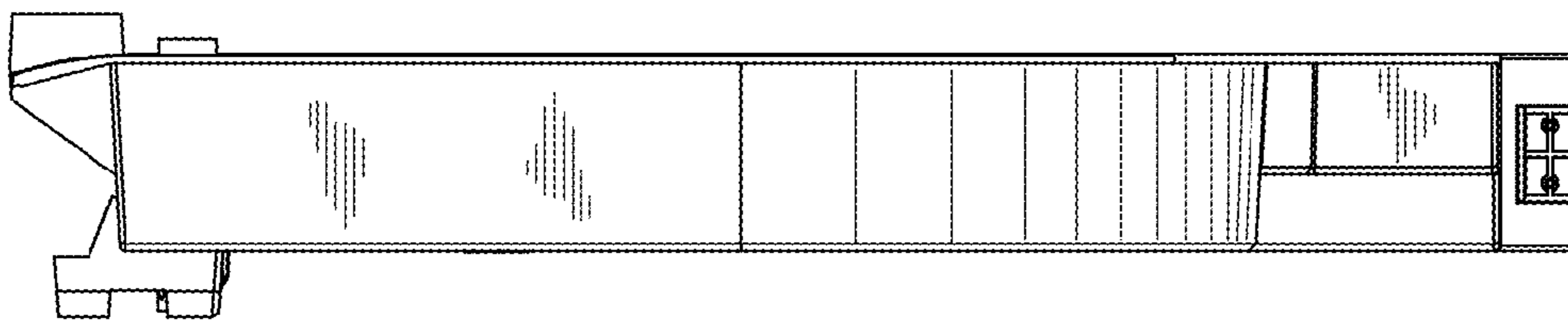


FIG. 6

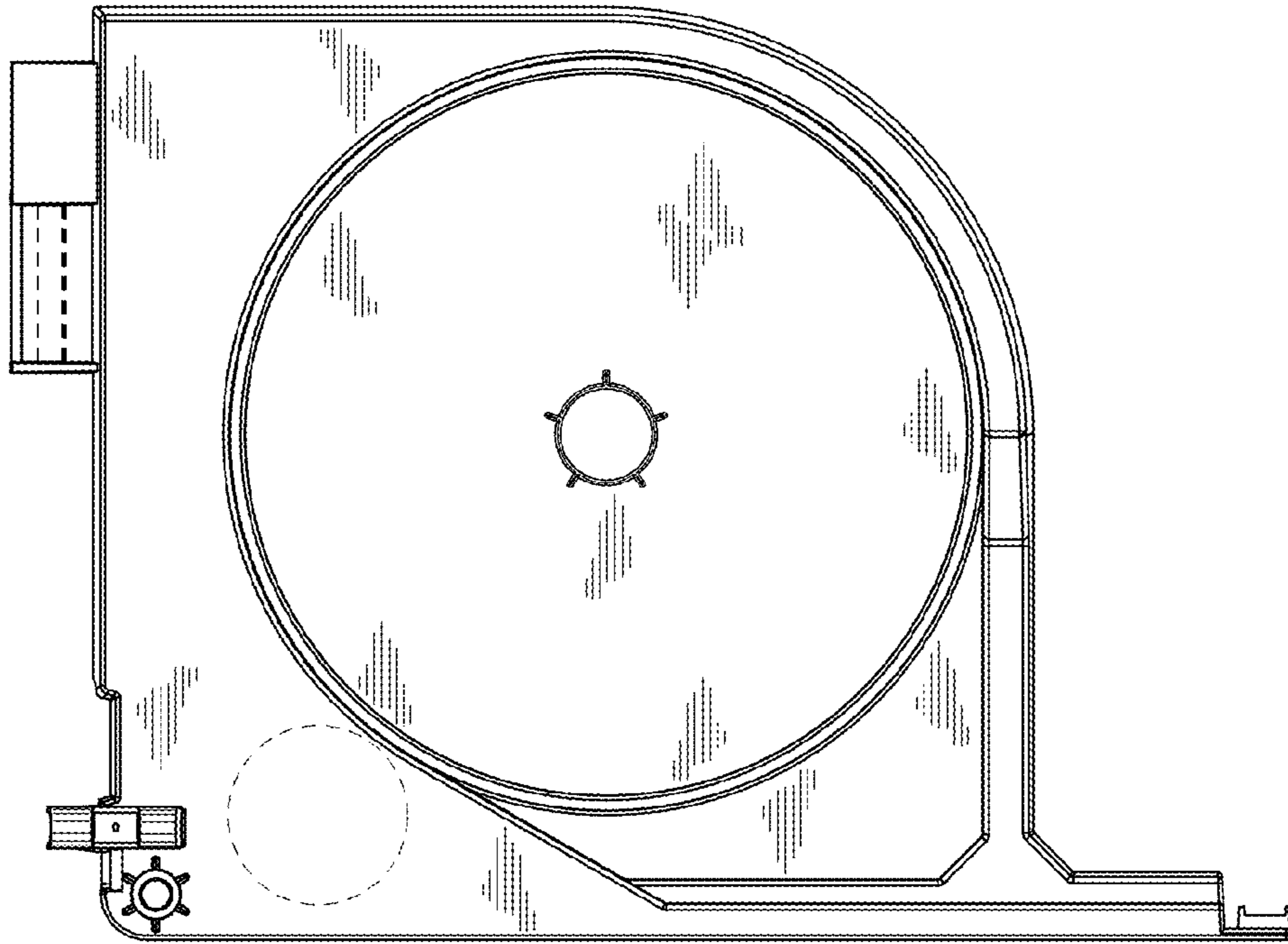


FIG. 7

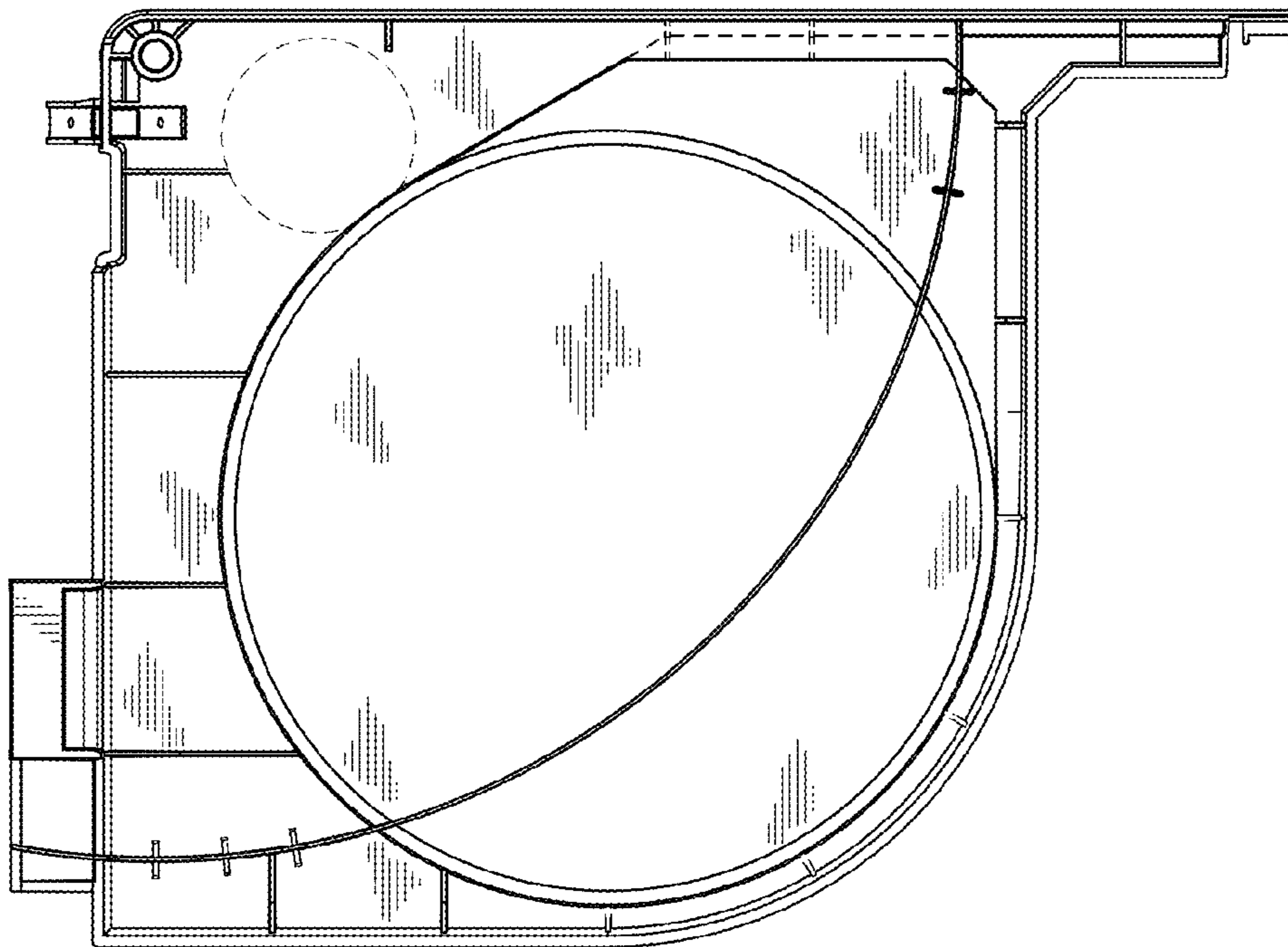


FIG. 8