

US00D747373S

(12) **United States Design Patent**
Lee et al.

(10) **Patent No.:** **US D747,373 S**
(45) **Date of Patent:** **** Jan. 12, 2016**

(54) **DOOR GUARD FOR REFRIGERATOR**

F25D 25/02; F25D 23/021; F25D 23/067;
F25D 25/024; F25D 17/042; F25D 2323/024;
F25D 23/065

(71) Applicant: **Samsung Electronics Co., Ltd.**,
Suwon-si, Gyeonggi-do (KR)

See application file for complete search history.

(72) Inventors: **Sun-Min Lee**, Seoul (KR); **Ae-Ryun Kim**, Ansan-si (KR); **Seon-Ju Lee**, Seoul (KR); **Min-Kyung Choi**, Seoul (KR)

(56) **References Cited**

U.S. PATENT DOCUMENTS

(73) Assignee: **SAMSUNG ELECTRONICS CO., LTD.** (KR)

D483,384	S	*	12/2003	Becke	D15/89
D511,535	S	*	11/2005	Grobleben	D15/89
D512,731	S	*	12/2005	Grobleben	D15/89
D513,757	S	*	1/2006	Grobleben	D15/89
D515,114	S	*	2/2006	Grobleben	D15/89
D695,796	S	*	12/2013	Lee	D15/89

(**) Term: **14 Years**

* cited by examiner

(21) Appl. No.: **29/504,656**

Primary Examiner — Daniel Bui

Assistant Examiner — Khawaja Anwar

(22) Filed: **Oct. 8, 2014**

(74) *Attorney, Agent, or Firm* — Cantor Colburn LLP

(30) **Foreign Application Priority Data**

(57) **CLAIM**

The ornamental design for a door guard for refrigerator, as shown and described.

Apr. 8, 2014 (KR) 30-2014-0017504

DESCRIPTION

(51) **LOC (10) Cl.** **15-07**

(52) **U.S. Cl.**
USPC **D15/89**

(58) **Field of Classification Search**
USPC D15/79-91
CPC F25B 21/02; F25B 21/04; F25B 29/00;
F25B 2321/025; F25B 2321/0251; F25B
2339/047; F25B 2400/22; F25B 2700/2117;
F25B 1/00; F25B 1/10; F25B 2309/061;
F25B 2321/02; F25B 2347/021; F25B
2400/0411; F25B 2400/06; F25D 23/028;
F25D 23/02; F25D 25/025; F25D 23/00;
F25D 2323/021; F25D 11/00; F25D 23/04;

FIG. 1 is a perspective view of a door guard for refrigerator, showing our new design;
FIG. 2 is a front view thereof;
FIG. 3 is a rear view thereof;
FIG. 4 is a side view thereof;
FIG. 5 is a another side view thereof;
FIG. 6 is a top view thereof;
FIG. 7 is a bottom view thereof; and,
FIG. 8 is another perspective view thereof, in use condition.
The broken lines are for environmental purpose only and form no part of the claimed design.

1 Claim, 5 Drawing Sheets

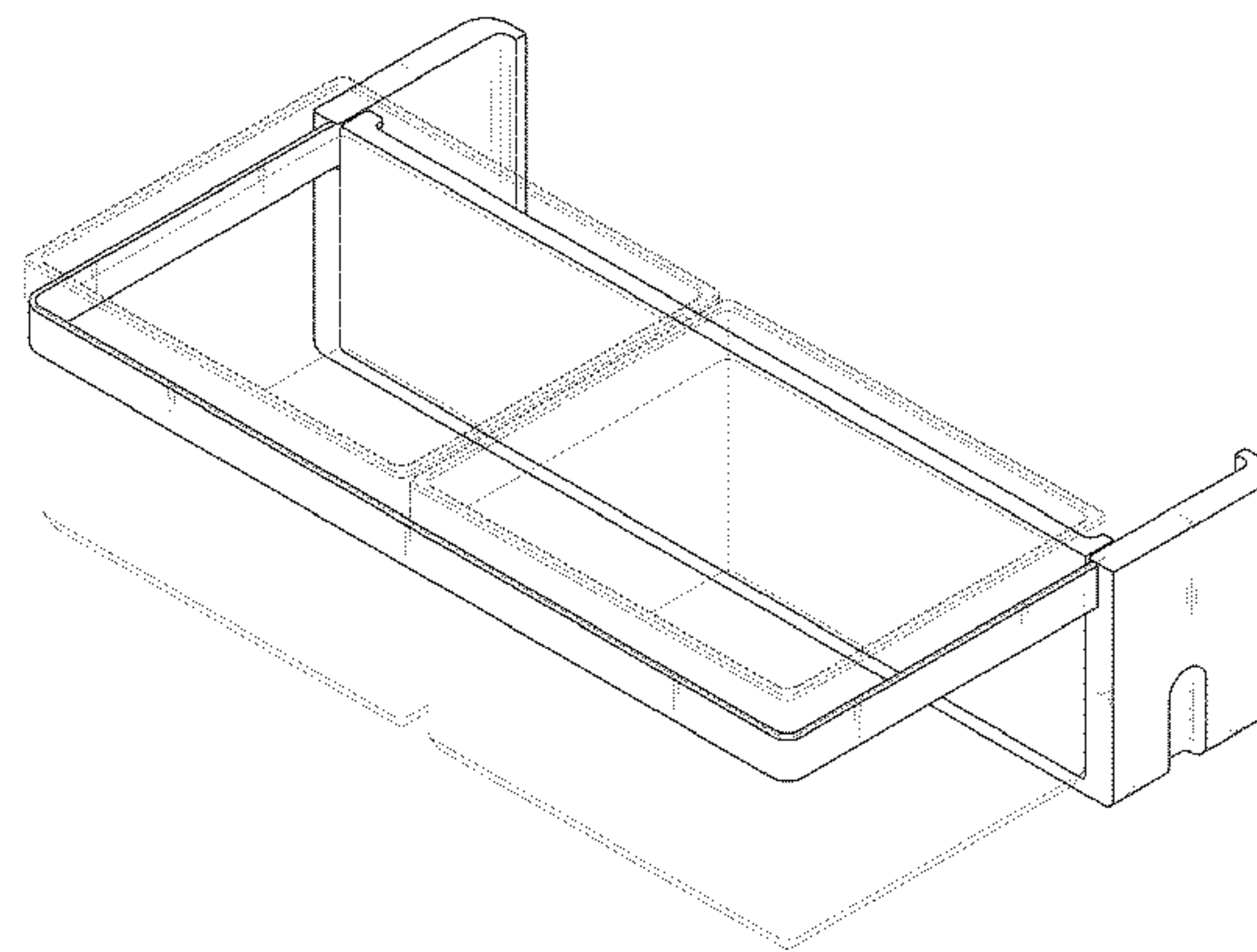
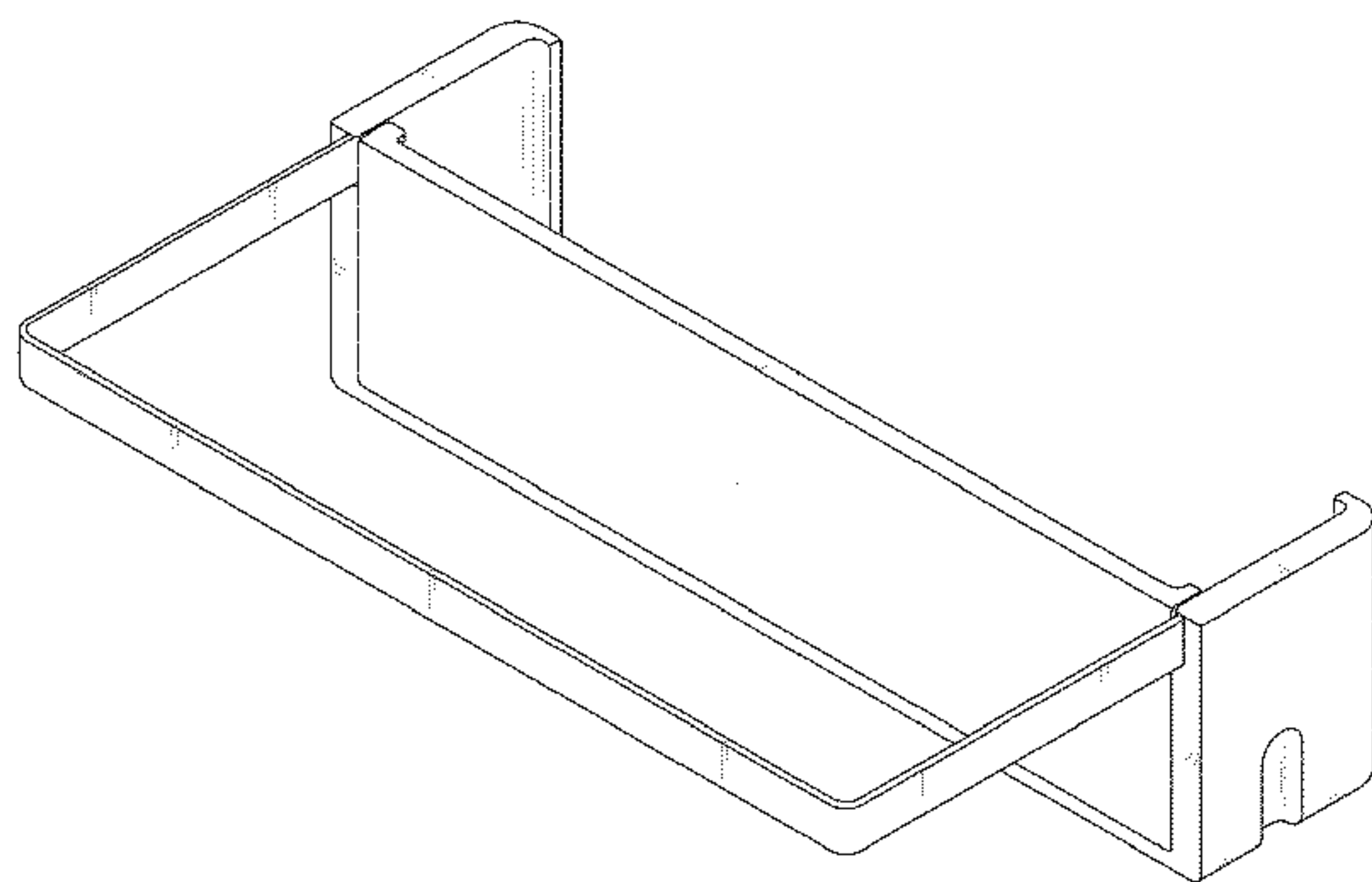


FIG. 1

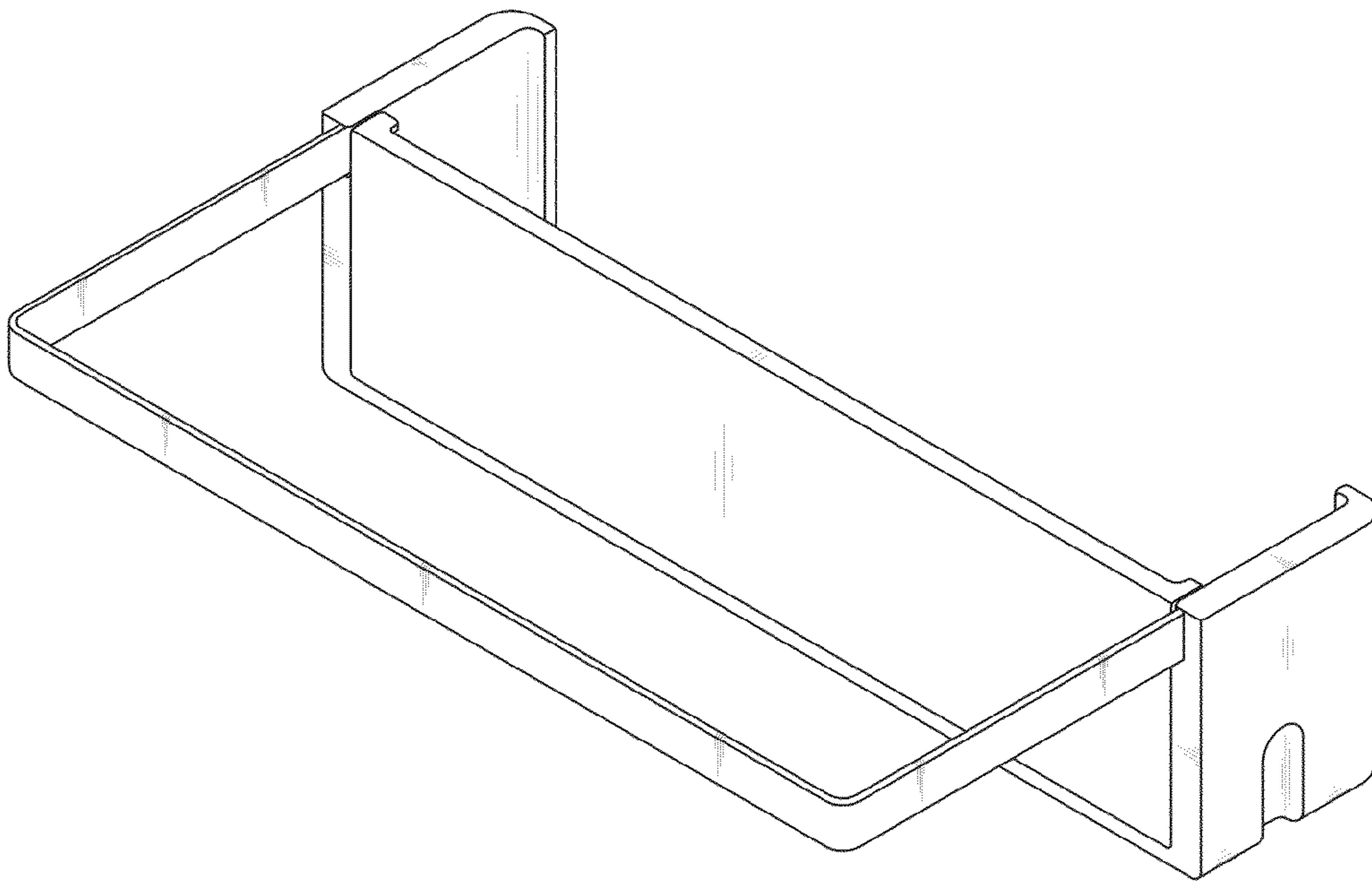


FIG. 2

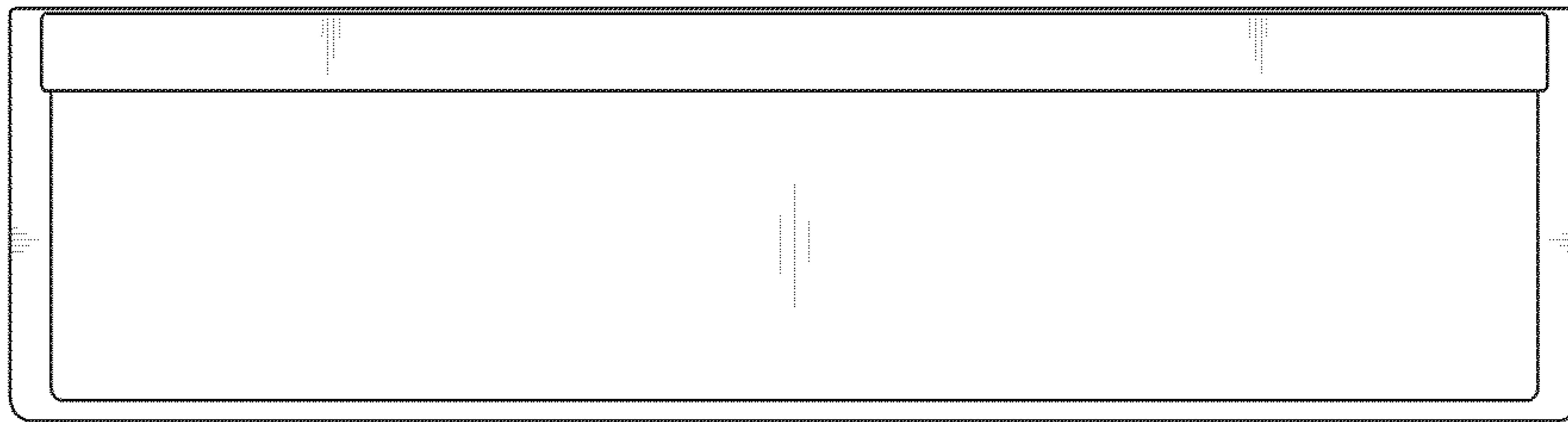


FIG. 3

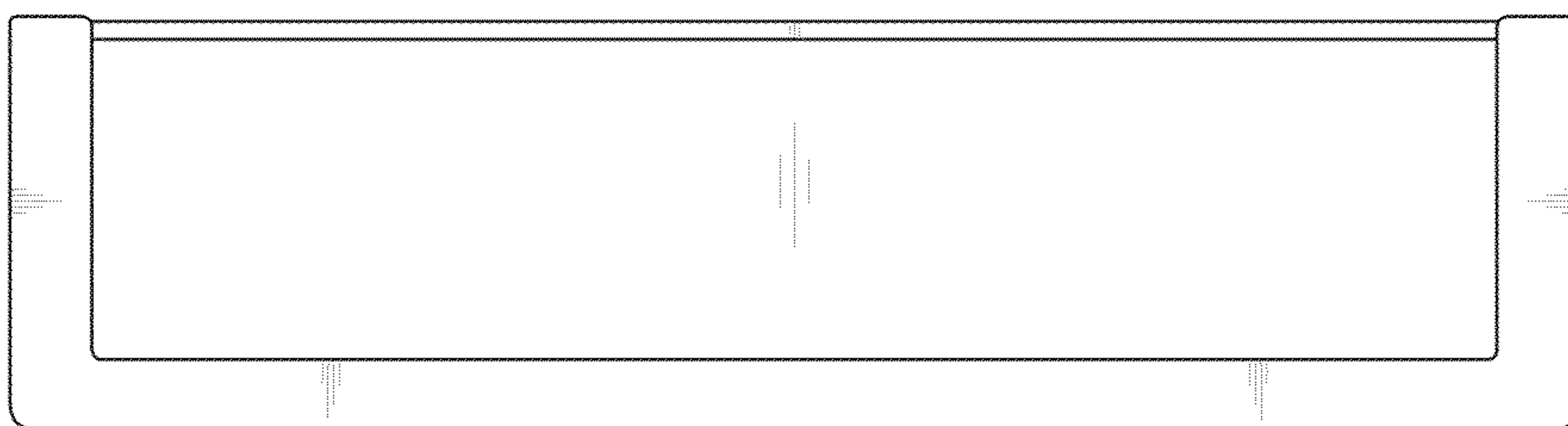


FIG. 4

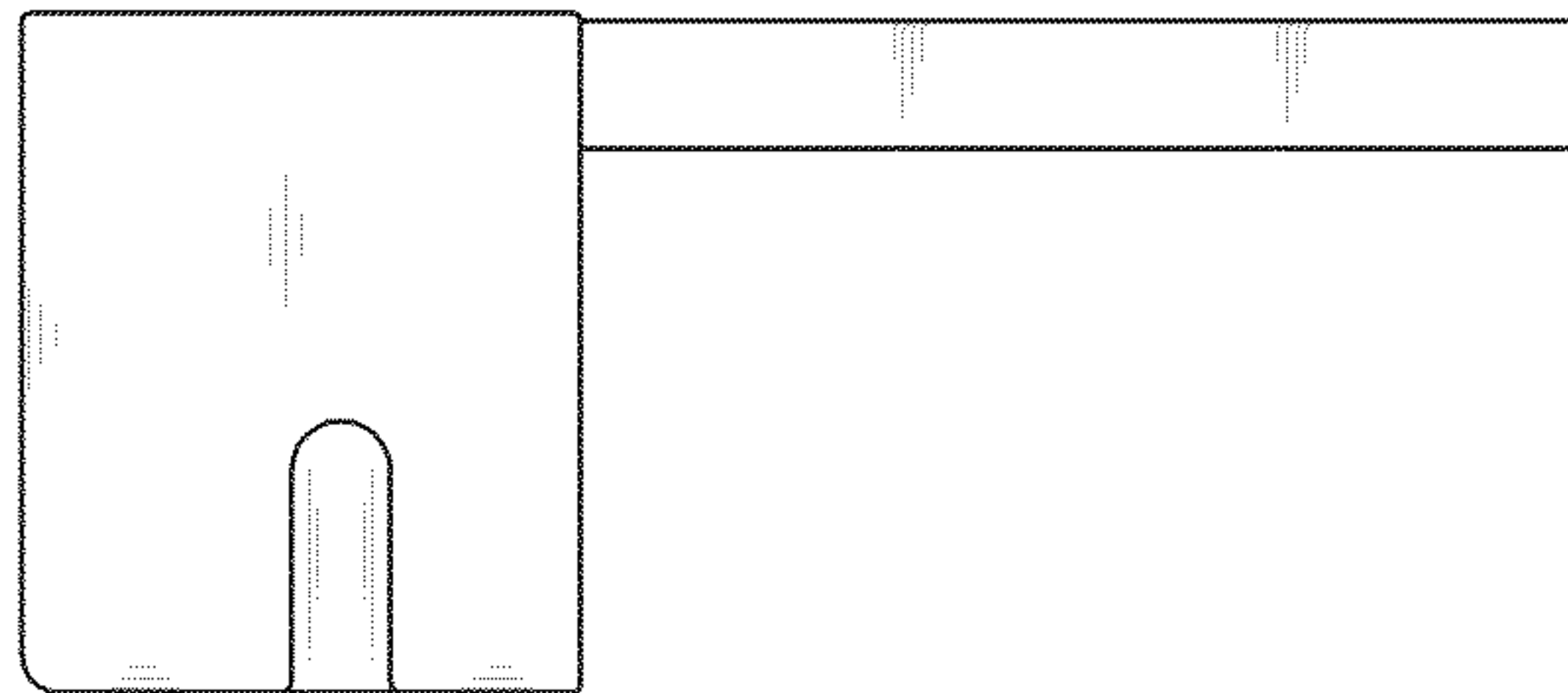


FIG. 5

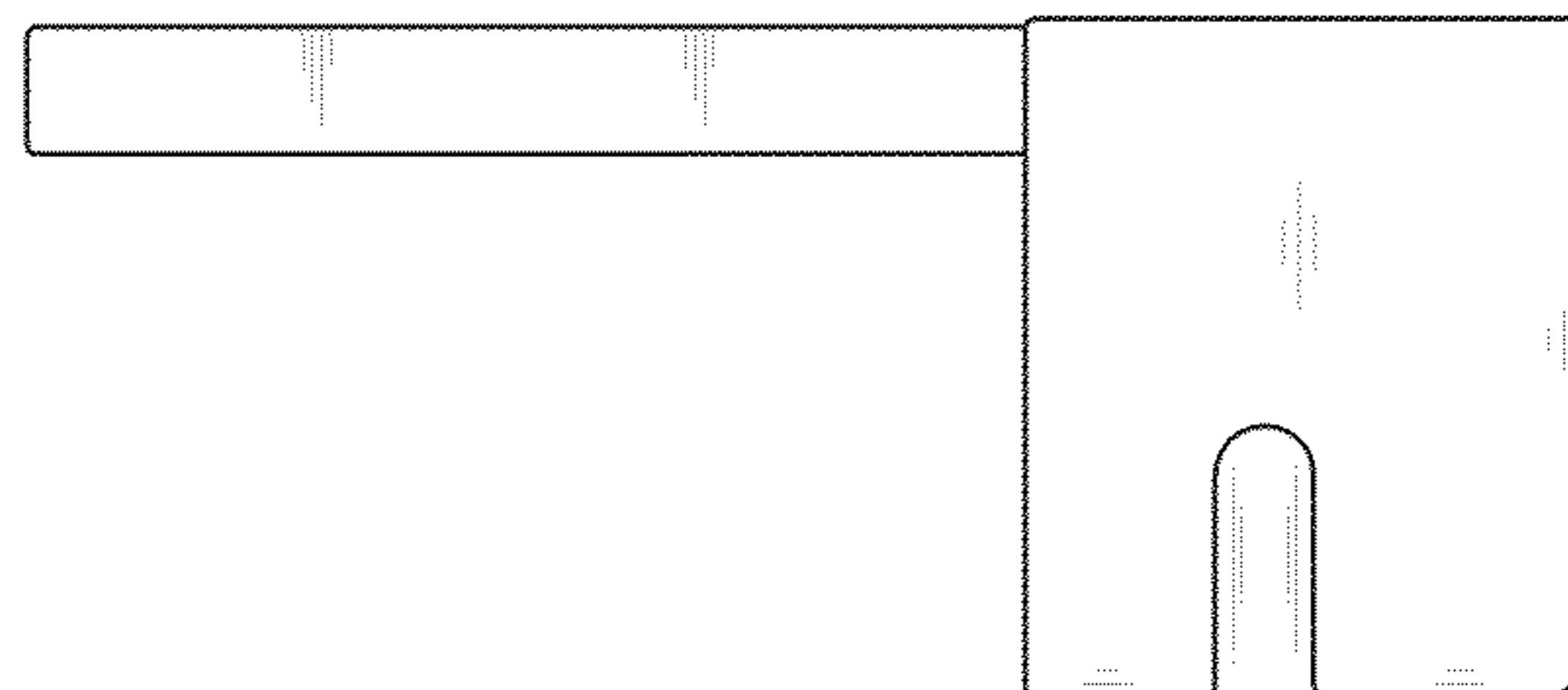


FIG. 6

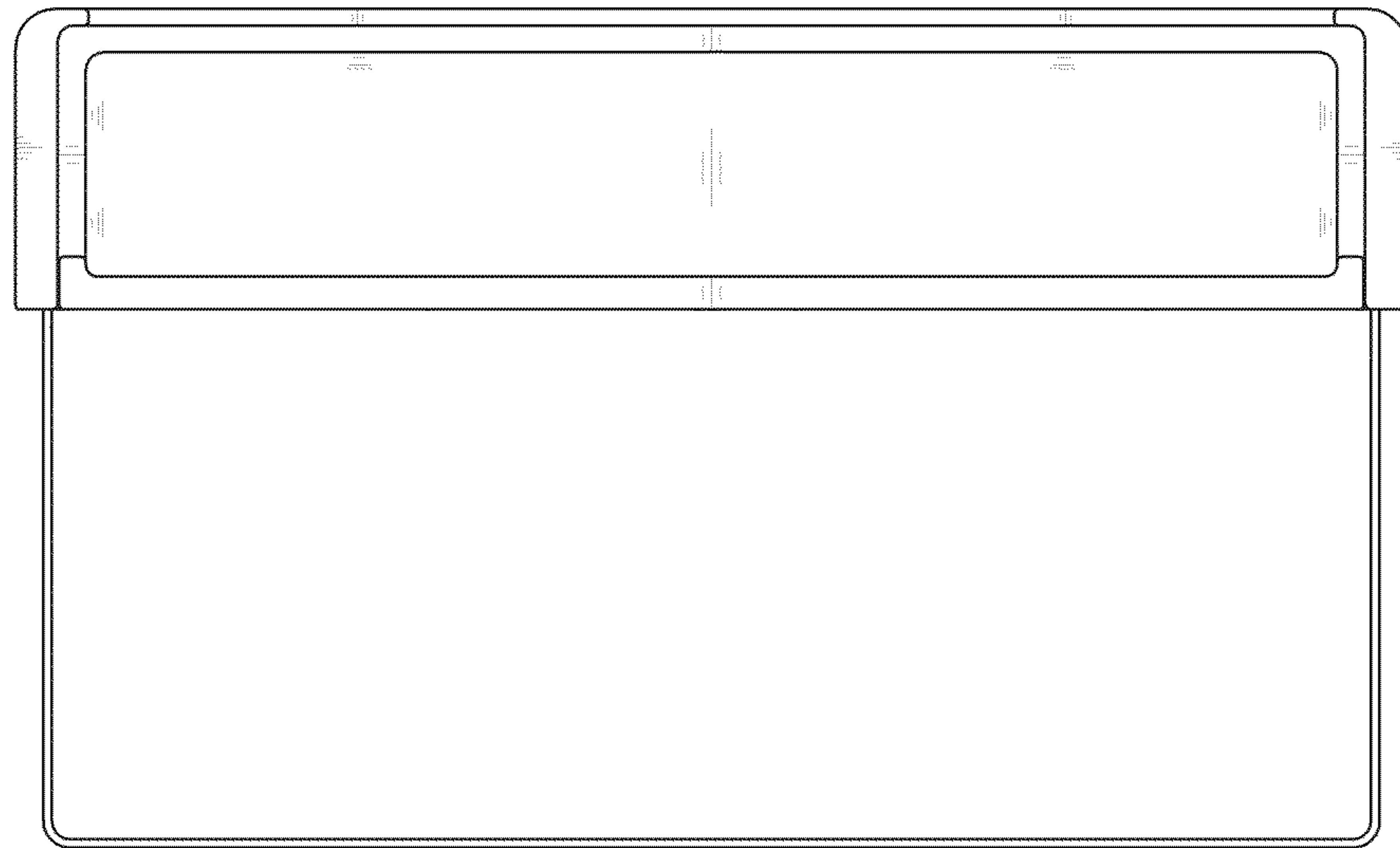


FIG. 7

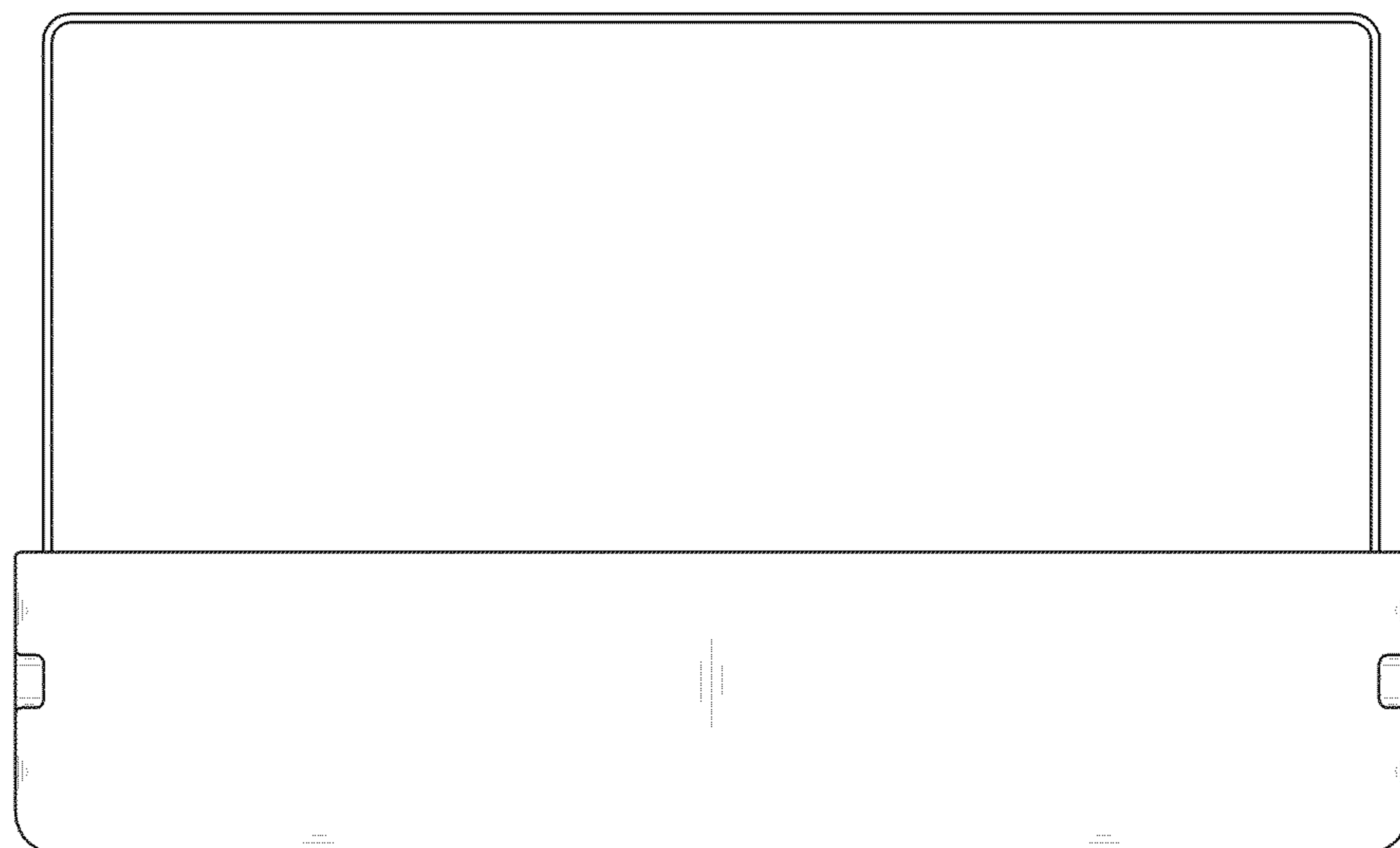


FIG. 8

