



US00D747372S

(12) **United States Design Patent**
Kim et al.

(10) **Patent No.:** **US D747,372 S**
(45) **Date of Patent:** **** Jan. 12, 2016**

(54) **DOOR GUARD FOR REFRIGERATOR**

(71) Applicant: **Samsung Electronics Co., Ltd.**,
Suwon-si (KR)

(72) Inventors: **Ae-Ryun Kim**, Ansan-si (KR); **Sun-Min Lee**, Seoul (KR); **Seon-Ju Lee**, Seoul (KR); **Min-Kyung Choi**, Seoul (KR)

(73) Assignee: **SAMSUNG ELECTRONICS CO., LTD.** (KR)

(**) Term: **14 Years**

(21) Appl. No.: **29/504,655**

(22) Filed: **Oct. 8, 2014**

(30) **Foreign Application Priority Data**

Apr. 8, 2014 (KR) 30-2014-0017503

(51) **LOC (10) Cl.** **15-07**

(52) **U.S. Cl.**
USPC **D15/89**

(58) **Field of Classification Search**
USPC D15/79-91; D6/702, 705
CPC F25D 23/028; F25D 23/02; F25D 25/025;
F25D 23/00; F25D 2323/021; F25D 11/00;
F25D 2323/024; F25D 23/04; F25D 29/00;
F25D 25/02; F25D 25/024; F25D 27/005;
F25D 23/12; F25D 29/005; F25D 17/042;
F25D 2325/021

See application file for complete search history.

(56) **References Cited**

U.S. PATENT DOCUMENTS

D591,315	S	*	4/2009	Baacke et al.	D15/89
D607,021	S	*	12/2009	Baacke et al.	D15/89
D669,506	S	*	10/2012	Czach et al.	D15/89
D681,697	S	*	5/2013	Meda et al.	D15/89
D694,288	S	*	11/2013	Hottmann et al.	D15/89

* cited by examiner

Primary Examiner — Daniel Bui

Assistant Examiner — Khawaja Anwar

(74) *Attorney, Agent, or Firm* — Cantor Colburn LLP

(57) **CLAIM**

The ornamental design for a door guard for refrigerator, as shown and described.

DESCRIPTION

FIG. 1 is a perspective view of a door guard for refrigerator, showing our new design;
FIG. 2 is a front view thereof;
FIG. 3 is a rear view thereof;
FIG. 4 is a side view thereof;
FIG. 5 is a another side view thereof;
FIG. 6 is a top view thereof;
FIG. 7 is a bottom view thereof; and,
FIG. 8 is another perspective view thereof, in use condition.
The broken lines are for environmental purpose only and form no part of the claimed design.

1 Claim, 5 Drawing Sheets

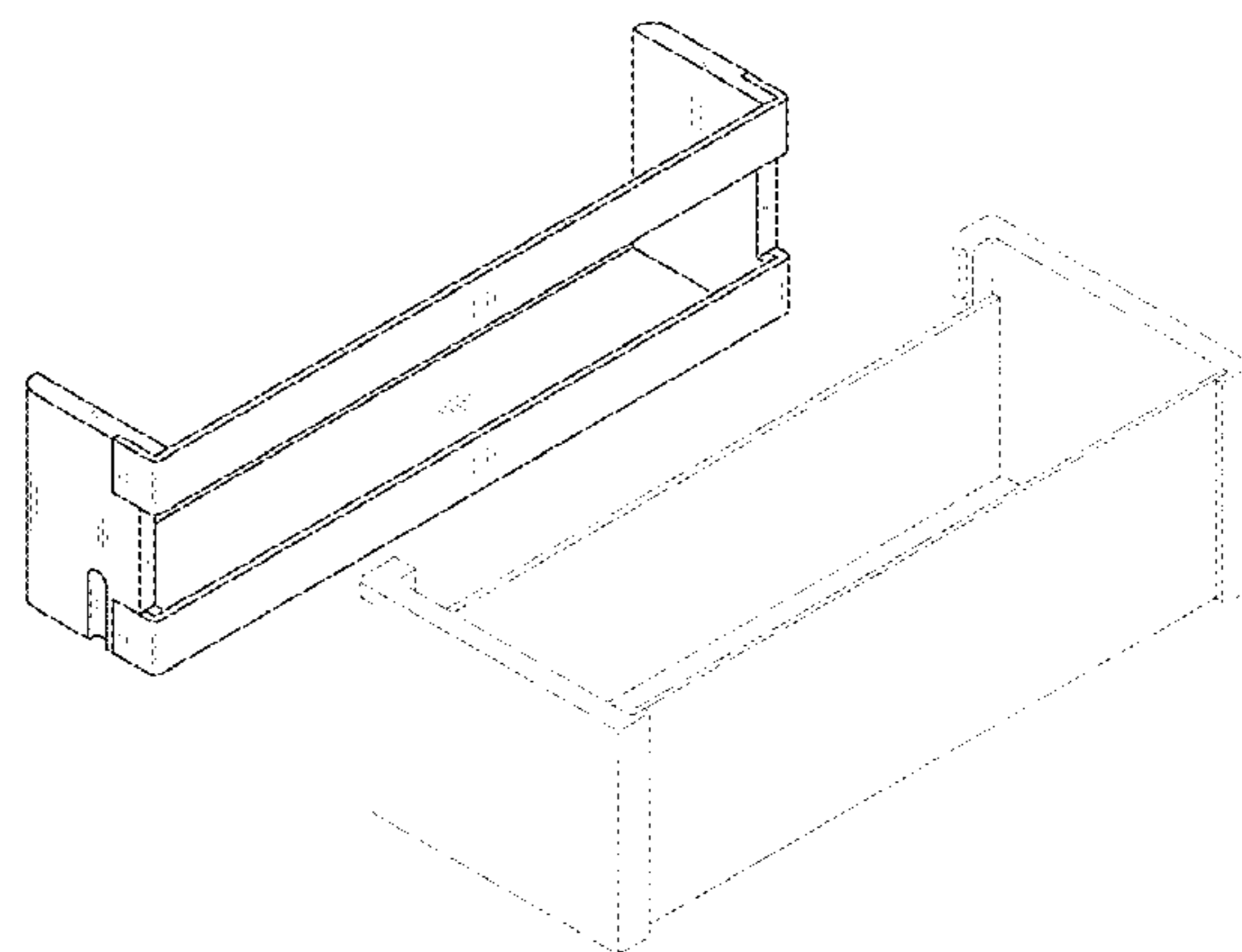
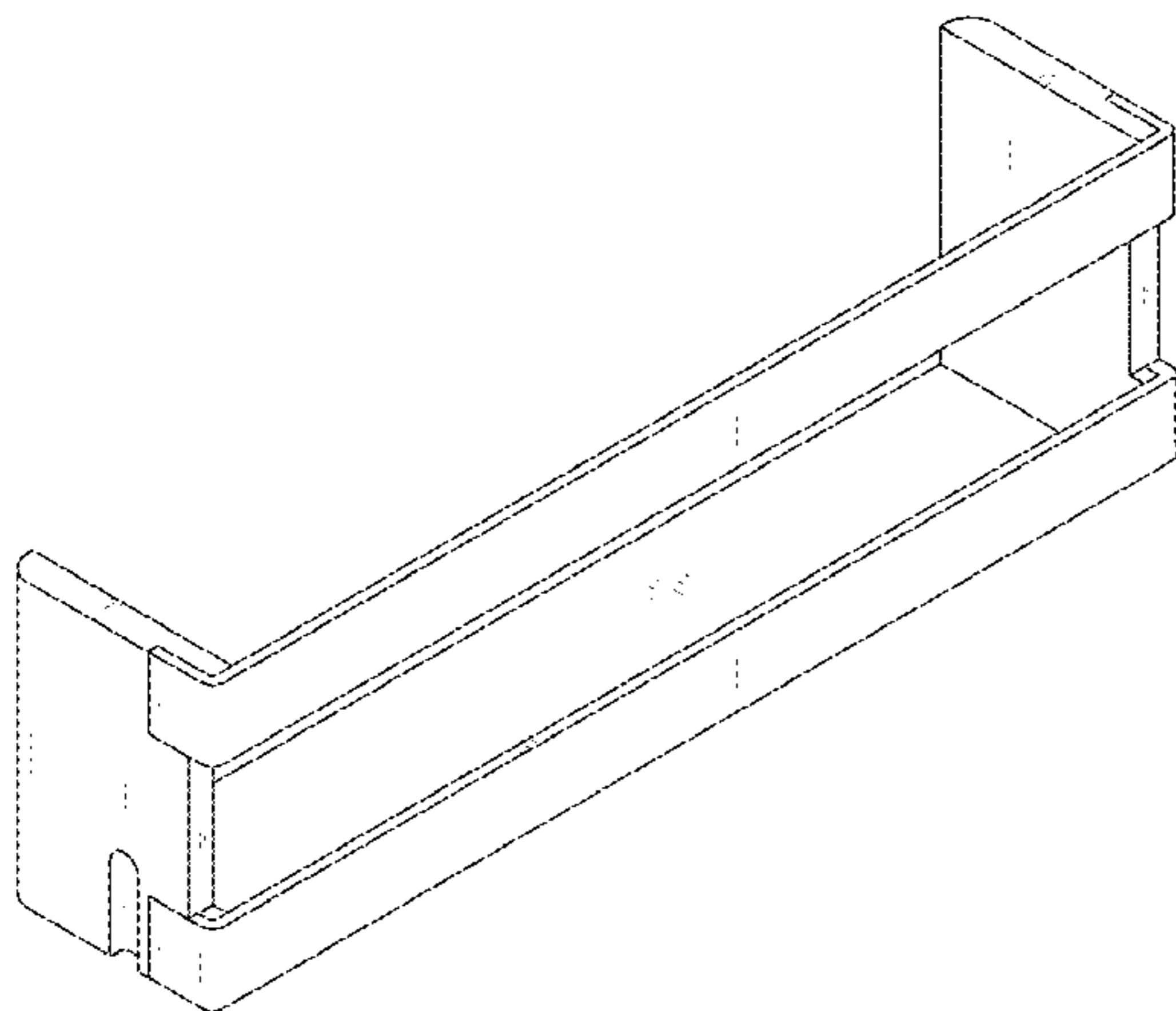


FIG. 1

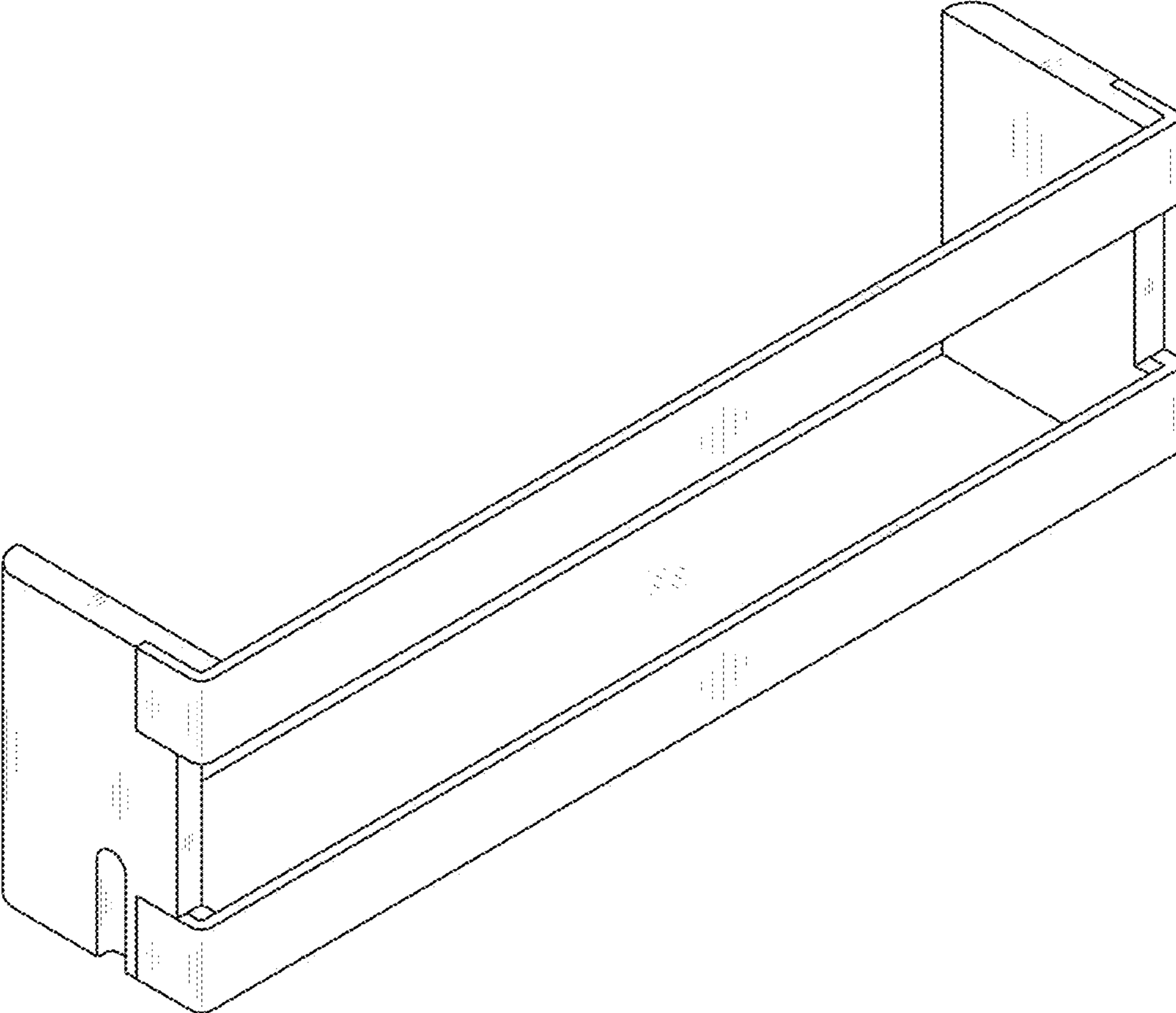


FIG. 2

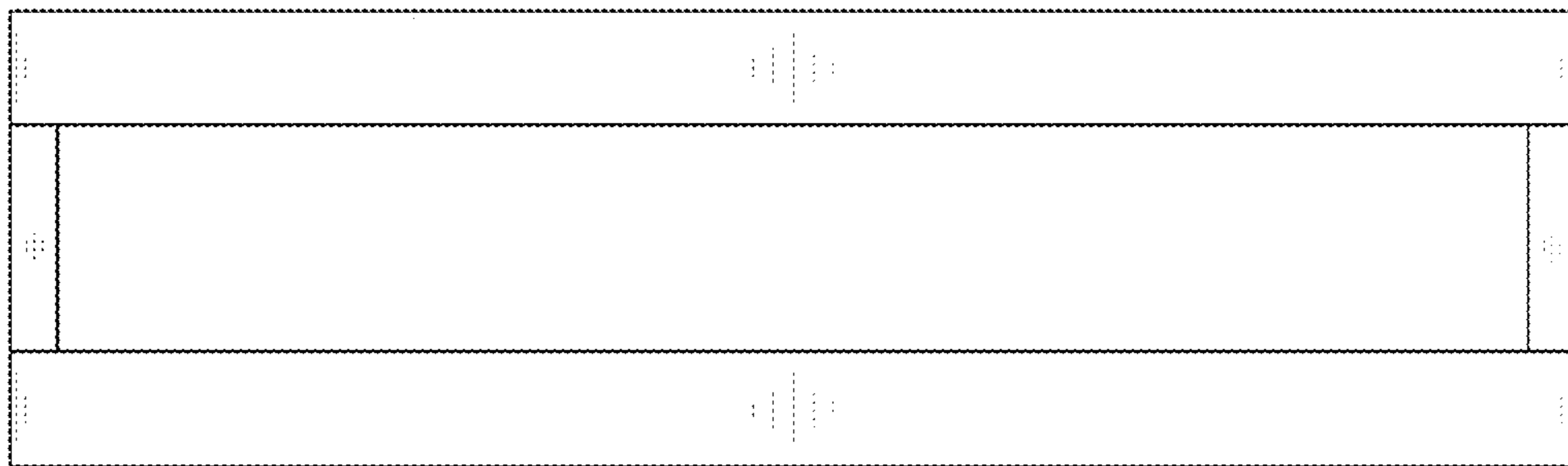


FIG. 3

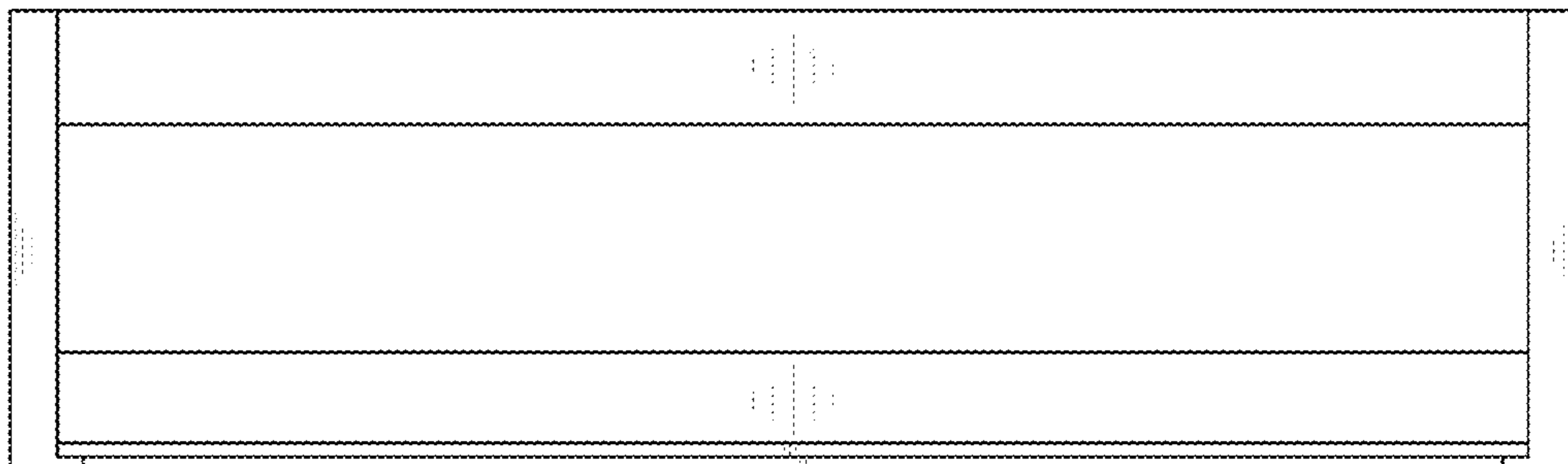


FIG. 4

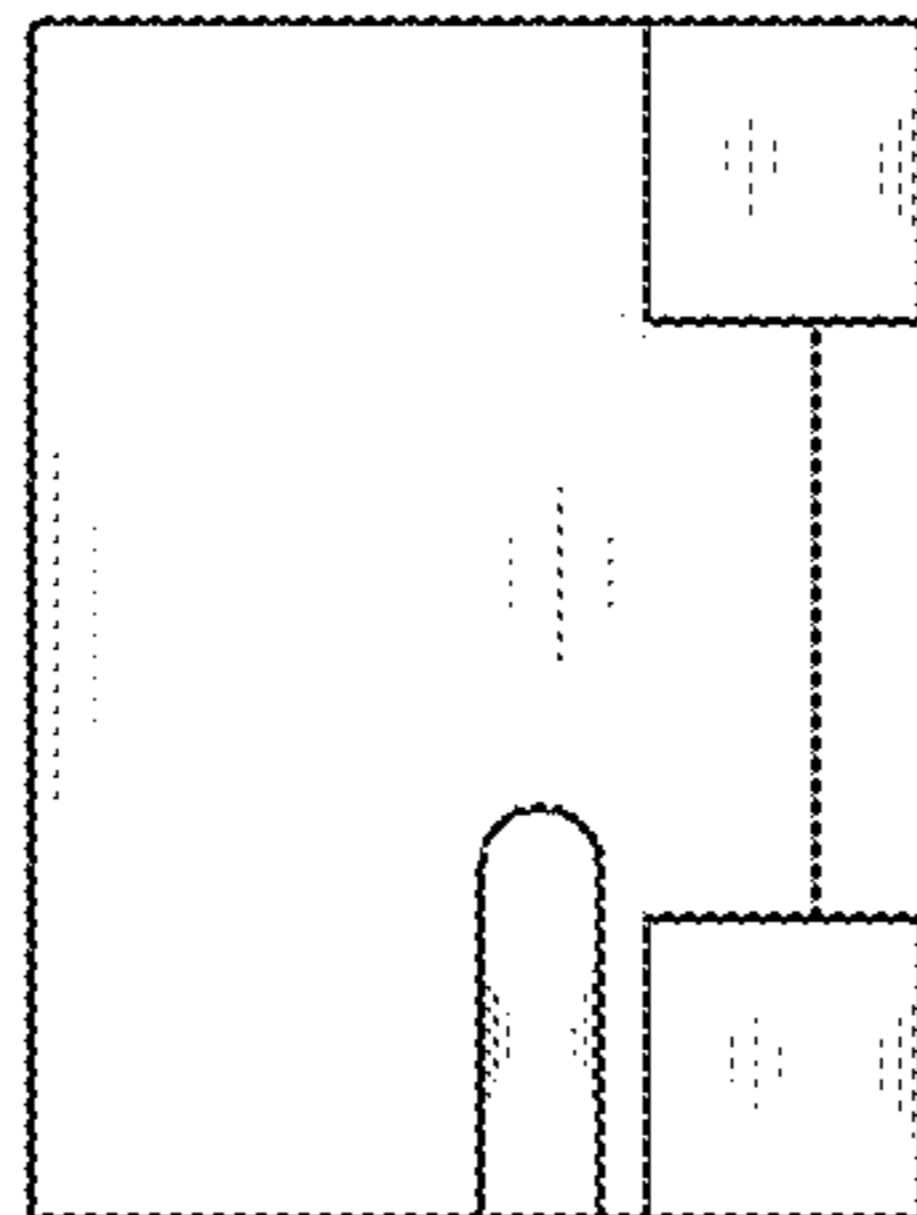


FIG. 5

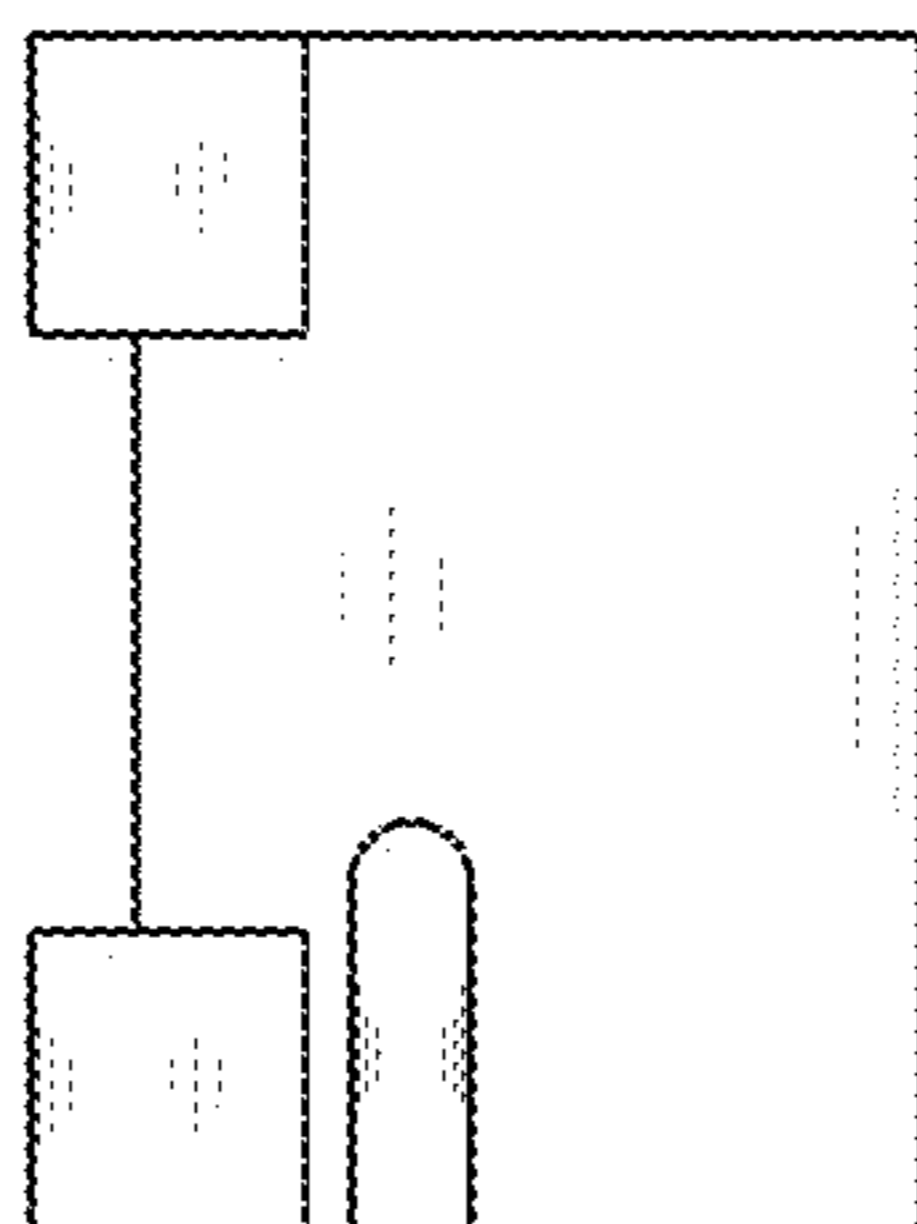


FIG. 6

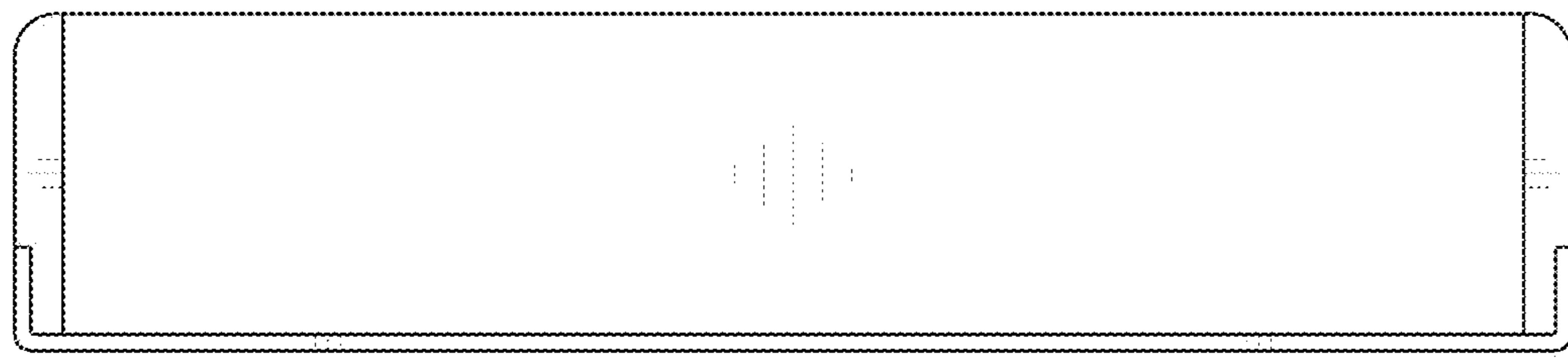


FIG. 7

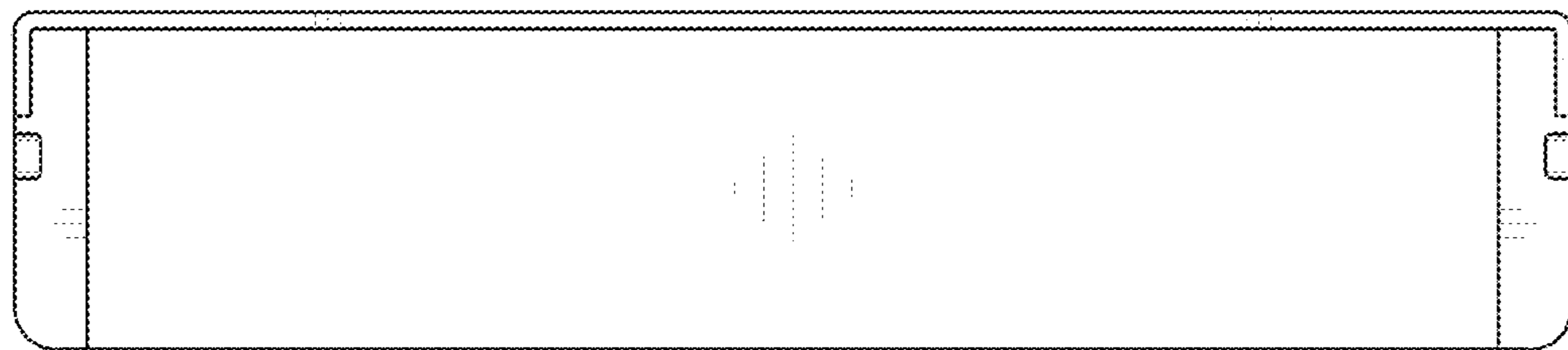


FIG. 8

