



US00D747367S

(12) **United States Design Patent**
Stolarz et al.

(10) **Patent No.:** **US D747,367 S**
(45) **Date of Patent:** **** Jan. 12, 2016**

(54) **COOLER**

(71) Applicant: **PepsiCo, Inc.**, Purchase, NY (US)

(72) Inventors: **Christian Stolarz**, Brooklyn, NY (US);
Martin Eduardo Broen, New York, NY (US)

(73) Assignee: **PepsiCo, Inc.**, Purchase, NY (US)

(**) Term: **14 Years**

(21) Appl. No.: **29/504,039**

(22) Filed: **Oct. 1, 2014**

Related U.S. Application Data

(62) Division of application No. 29/498,313, filed on Aug. 1, 2014.

(51) **LOC (10) Cl.** **15-07**

(52) **U.S. Cl.**
USPC **D15/81**

(58) **Field of Classification Search**

USPC D15/79-91
CPC F25D 23/028; F25D 23/02; F25D 25/025;
F25D 23/00; F25D 2323/021; F25D 11/00;
F25D 2323/024; F25D 23/04; F25D 29/00;
F25D 25/02; F25D 25/024; F25D 27/005;
F25D 23/12; F25D 29/005; F25D 17/042;
F25D 2325/021

See application file for complete search history.

(56) **References Cited**

U.S. PATENT DOCUMENTS

D244,019 S 4/1977 Brown
D271,107 S 10/1983 Trulaske
D363,398 S 10/1995 Branz et al.
5,803,560 A 9/1998 Trulaske, Sr. et al.
D421,534 S 3/2000 Trulaske, Sr. et al.
D449,844 S 10/2001 Kim
D481,224 S 10/2003 Draper

D481,740 S 11/2003 Li et al.
D513,014 S 12/2005 Seki
D518,836 S 4/2006 Reese et al.
D519,528 S * 4/2006 Reese D15/89
D520,030 S * 5/2006 Reese et al. D15/89
D520,532 S 5/2006 Reese et al.

(Continued)

FOREIGN PATENT DOCUMENTS

EM 002003491-0002 8/2012
EM 001338743-0004 11/2012

(Continued)

Primary Examiner — Daniel Bui

Assistant Examiner — Khawaja Anwar

(74) *Attorney, Agent, or Firm* — Sterne, Kessler, Goldstein & Fox P.L.L.C.

(57) **CLAIM**

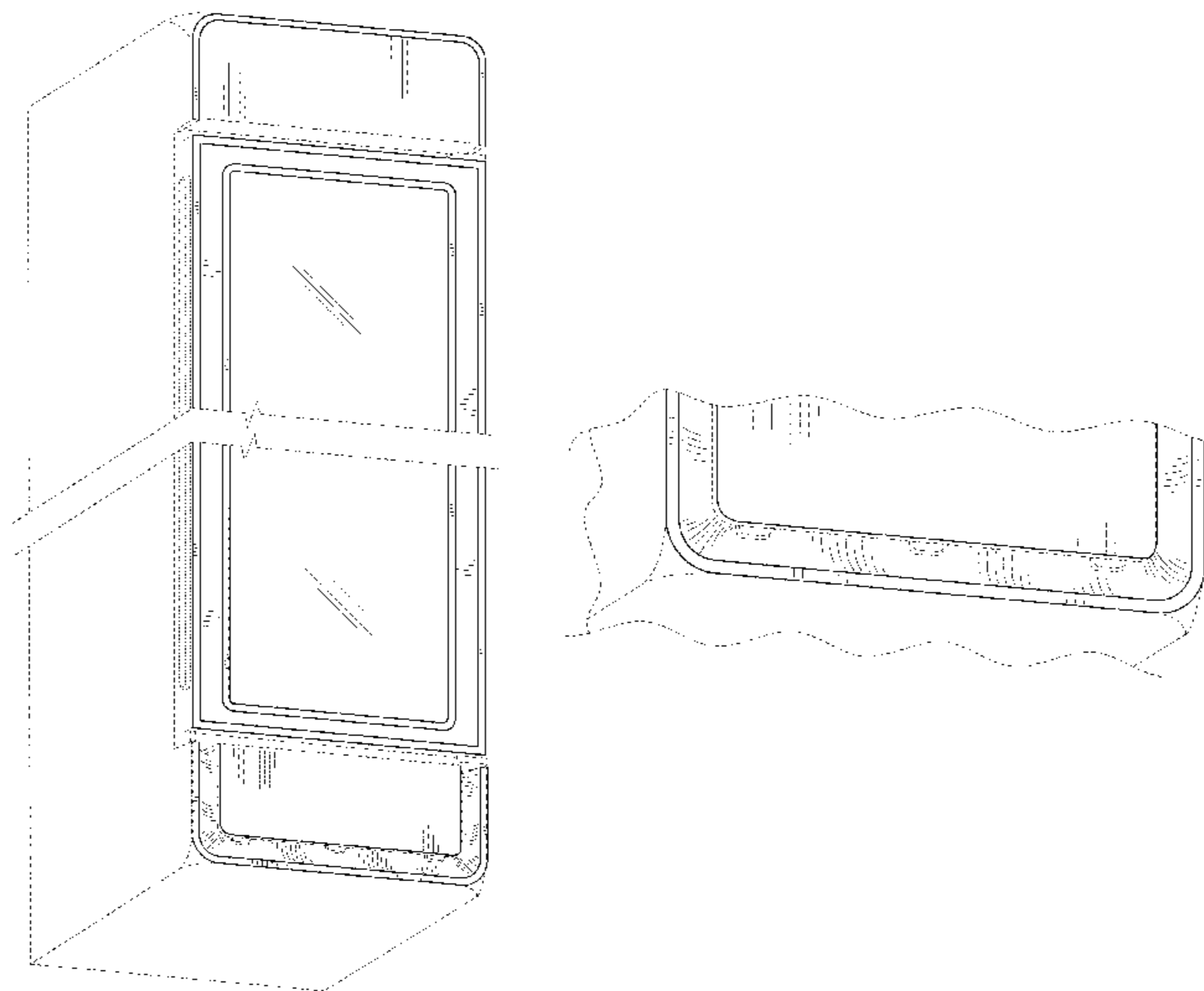
The ornamental design for a cooler, as shown and described.

DESCRIPTION

FIG. 1 is a bottom, front, left perspective view of a cooler showing our new design;
FIG. 2 is a front view thereof;
FIG. 3 is a right side view thereof;
FIG. 4 is a left side view thereof;
FIG. 5 is a rear view thereof; and,
FIG. 6 is an enlarged perspective view of the claimed portion, taken from FIG. 1.

In the drawing views, the even-broken line represents unclaimed environment of the cooler, and forms no part of the claimed design. The broken lines that separate the two parts of the cooler and the portion within these broken lines represent indeterminate length and form no part of the claimed design. The dot-dash broken lines represent unclaimed boundaries of the claimed design. The wavy broken lines in FIG. 6 show an enlarged view of the claimed portion in FIG. 1, and form no part of the claimed design.

1 Claim, 4 Drawing Sheets



(56)

References Cited

2010/0018233 A1 1/2010 Jafa et al.
2011/0301749 A1 12/2011 Hammonds et al.

U.S. PATENT DOCUMENTS

FOREIGN PATENT DOCUMENTS

D520,533 S 5/2006 Reese et al.
D541,315 S 4/2007 Trulaske, Sr.
D671,574 S * 11/2012 Jafa et al. D15/91
D671,575 S * 11/2012 Jafa et al. D15/91
D671,576 S * 11/2012 Jafa et al. D15/91

JP 1413655 5/2011
TR 2013 05287 10/2013
* cited by examiner

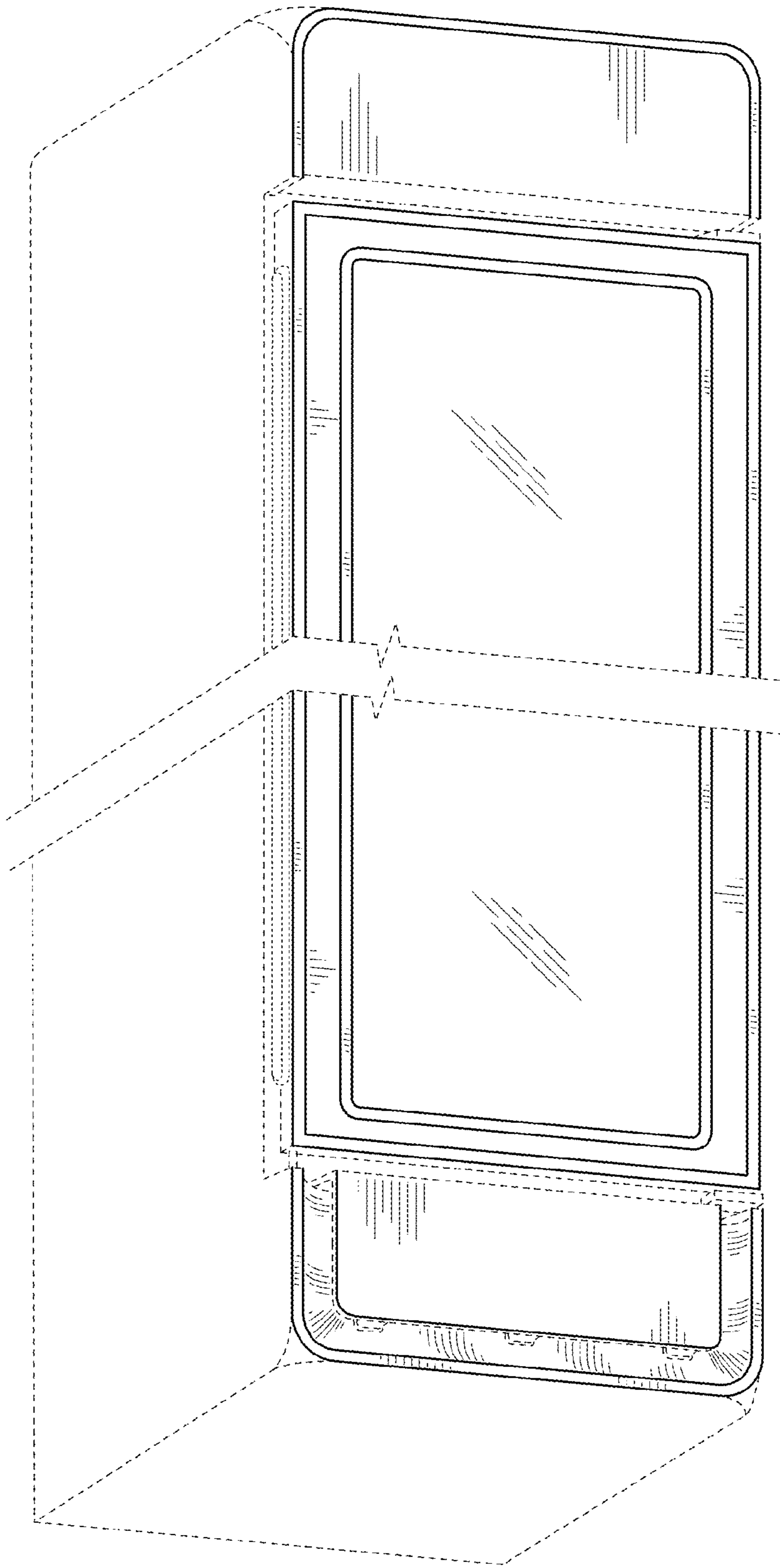


FIG. 1

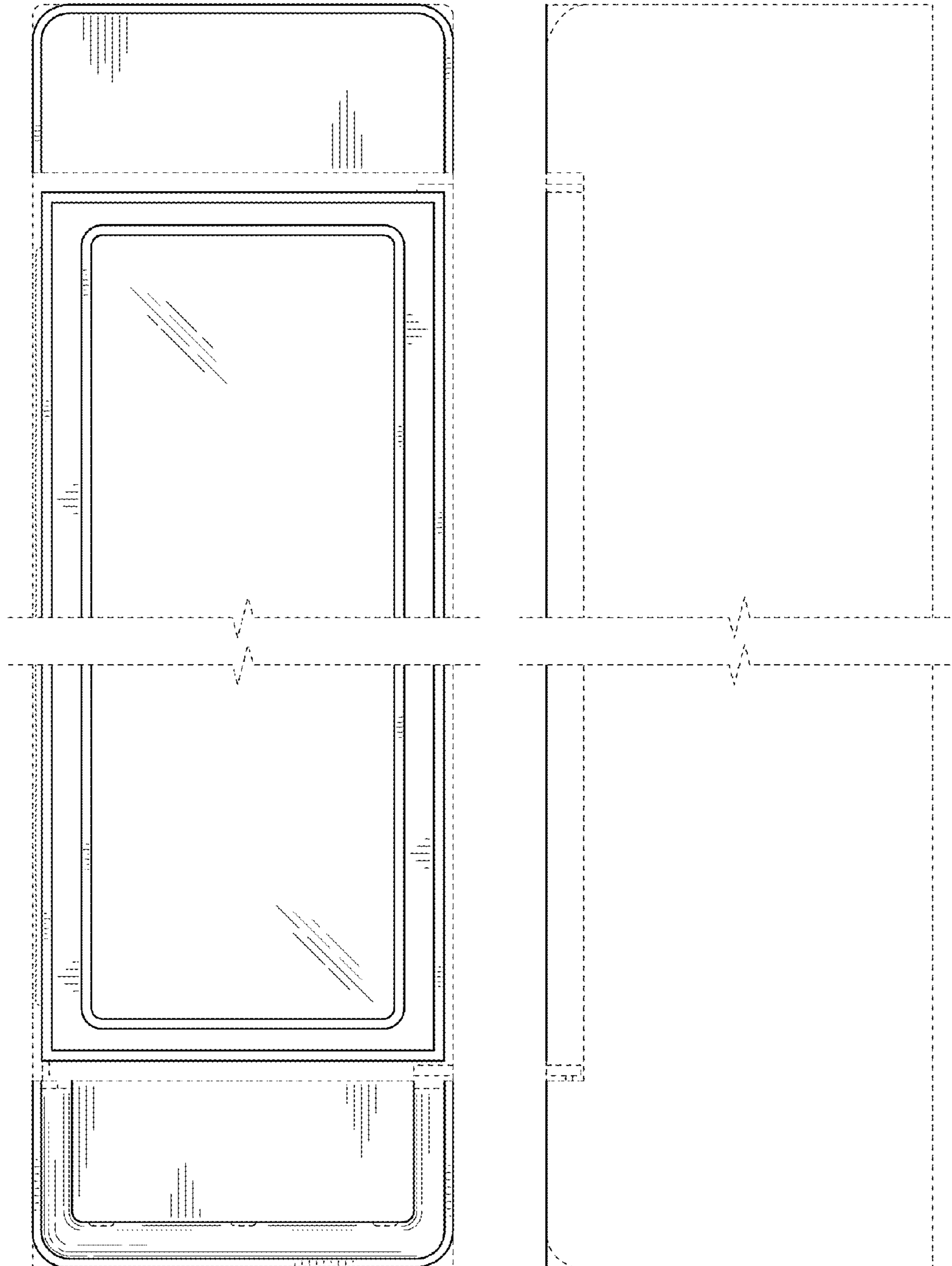


FIG. 2

FIG. 3

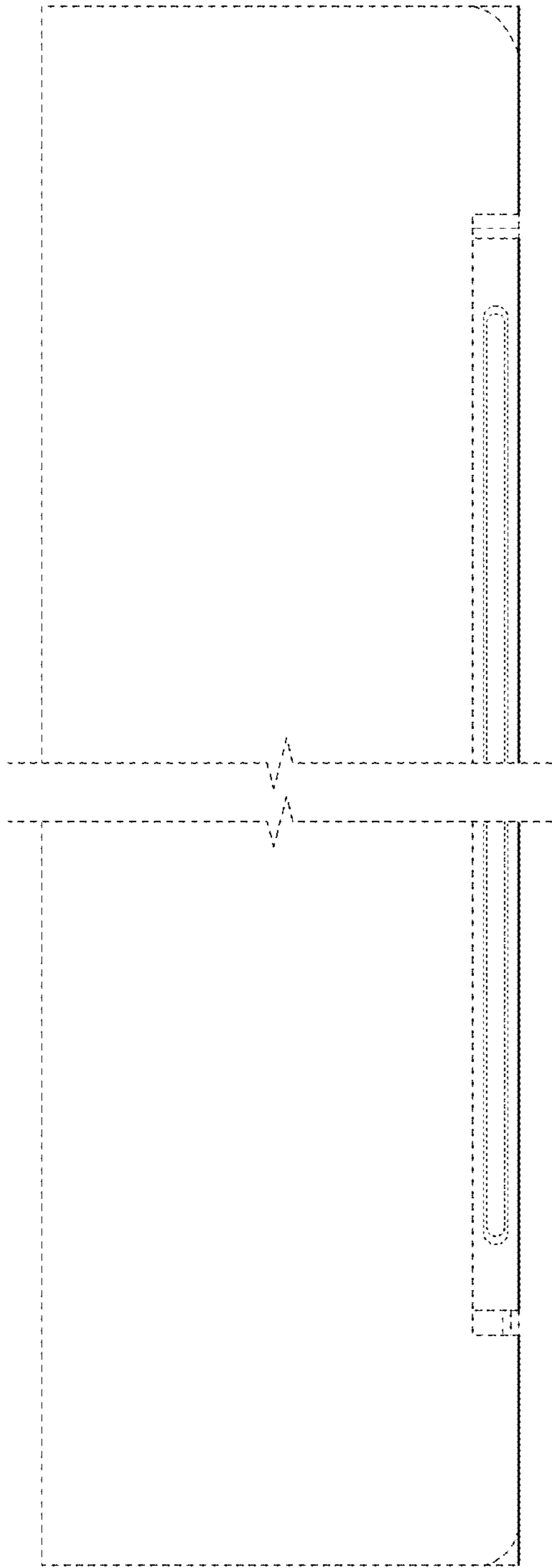


FIG. 4

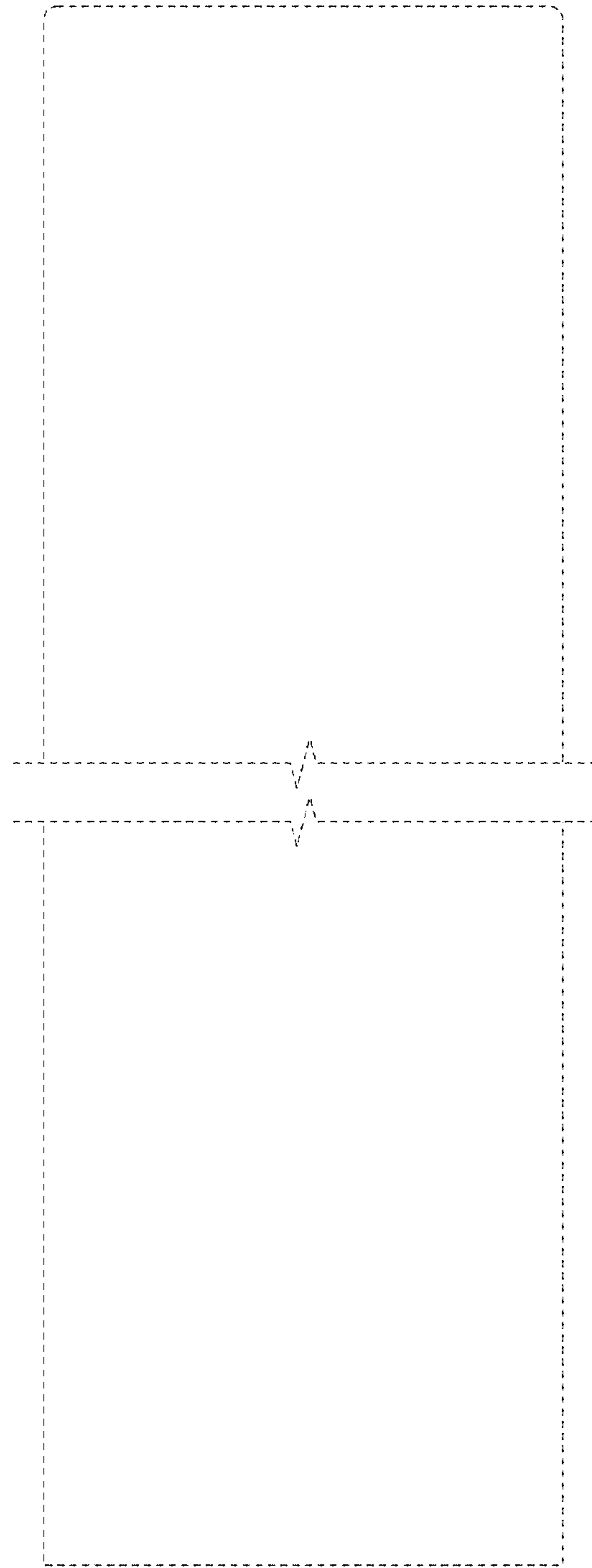


FIG. 5

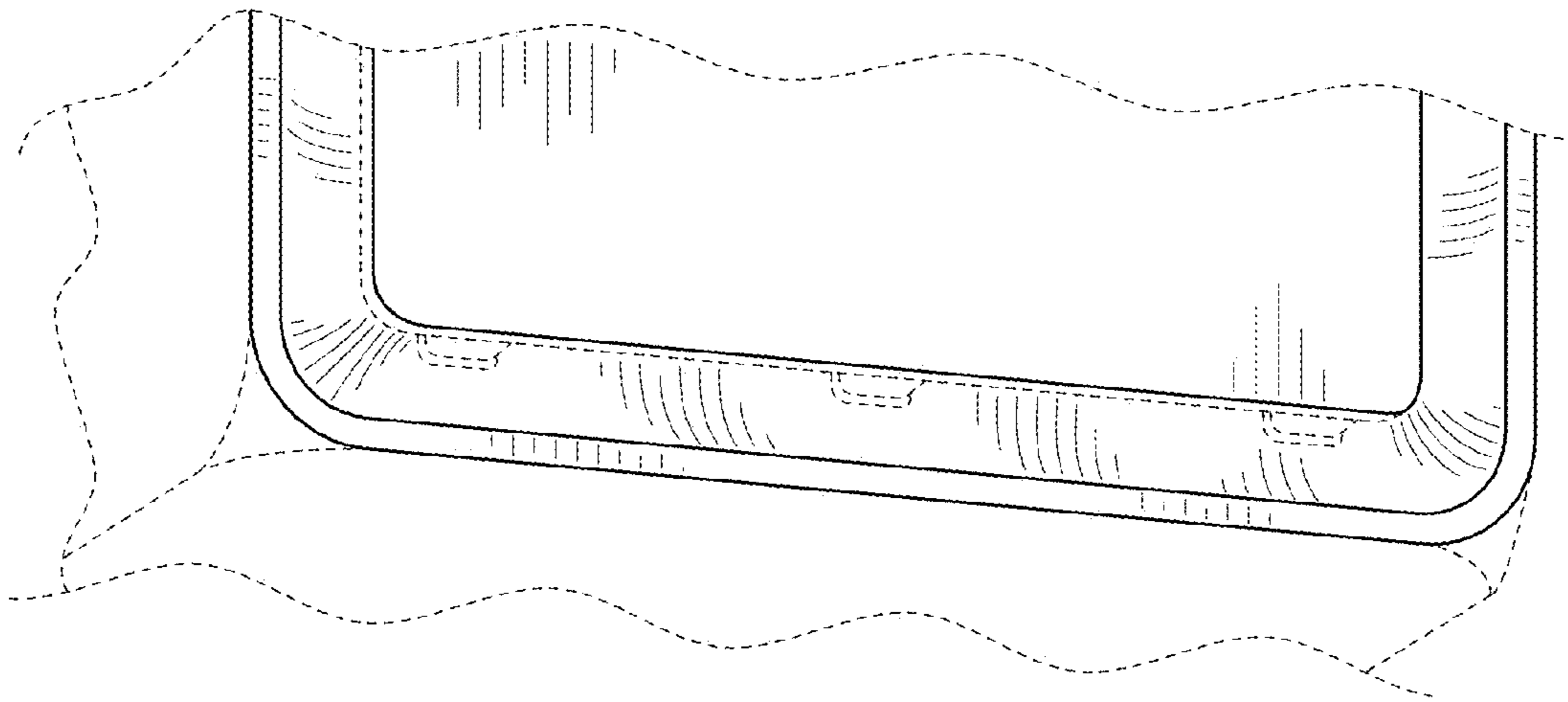


FIG. 6