



US00D747366S

(12) **United States Design Patent**
Kranz et al.

(10) **Patent No.:** **US D747,366 S**
(45) **Date of Patent:** **** Jan. 12, 2016**

(54) **AUTOMATED SMART STORAGE REFRIGERATOR UNIT**

(71) Applicants: **Matthew M. Kranz**, Encinitas, CA (US); **Charles S. Curbun**, Encinitas, CA (US); **Julian Groeli**, San Diego, CA (US); **Arvin G. Abadilla**, Encinitas, CA (US); **Blake C. Wang**, San Diego, CA (US); **William J. Leach**, San Diego, CA (US); **Robert J. Manning**, San Deigo, CA (US); **Eugene A. Baker**, Oakland, CA (US)

(72) Inventors: **Matthew M. Kranz**, Encinitas, CA (US); **Charles S. Curbun**, Encinitas, CA (US); **Julian Groeli**, San Diego, CA (US); **Arvin G. Abadilla**, Encinitas, CA (US); **Blake C. Wang**, San Diego, CA (US); **William J. Leach**, San Diego, CA (US); **Robert J. Manning**, San Deigo, CA (US); **Eugene A. Baker**, Oakland, CA (US)

(73) Assignee: **TRUMED SYSTEMS, INC.**, La Jolla, CA (US)

(**) Term: **14 Years**

(21) Appl. No.: **29/502,476**

(22) Filed: **Sep. 16, 2014**

Related U.S. Application Data

(63) Continuation-in-part of application No. 29/475,865, filed on Dec. 7, 2013.

(51) **LOC (10) Cl.** **15-07**

(52) **U.S. Cl.**
USPC **D15/81**

(58) **Field of Classification Search**
USPC D15/79, 80, 81, 84, 85
CPC F25C 1/00; F25C 5/005; F25C 1/04; F25C 1/22; F25C 5/182; F25C 1/24; F25C 2305/022; F25C 5/04; F25C 5/06; F25C 1/10; F25C 1/18; F25C 5/185; F25C 1/12; F25C

1/225; F25C 2400/04; F25C 2400/12; F25C 2400/14; F25D 23/006; F25D 23/04; F25D 2323/00274; F25D 2323/121; F25D 2400/16; F25D 2400/361; F25D 2400/40; F25D 2500/02; F25D 31/002; F25D 31/007; F25D 2317/0417; F25D 2317/0683; F25D 25/00; F25D 29/00; F25D 11/003

See application file for complete search history.

(56) **References Cited**

U.S. PATENT DOCUMENTS

D368,484	S	*	4/1996	Bone	D15/81
D455,158	S	*	4/2002	Gray et al.	D15/80
D692,032	S	*	10/2013	LaFond et al.	D15/80
D713,863	S	*	9/2014	Cosgrove et al.	D15/88
D721,745	S	*	1/2015	Davis et al.	D15/81

OTHER PUBLICATIONS

U.S. Appl. No. 29/475,865, filed Dec. 7, 2013, titled "Automated Smart Storage Refrigerator Unit".

* cited by examiner

Primary Examiner — Daniel Bui

Assistant Examiner — Khawaja Anwar

(74) *Attorney, Agent, or Firm* — Dittthavong & Steiner, P.C.

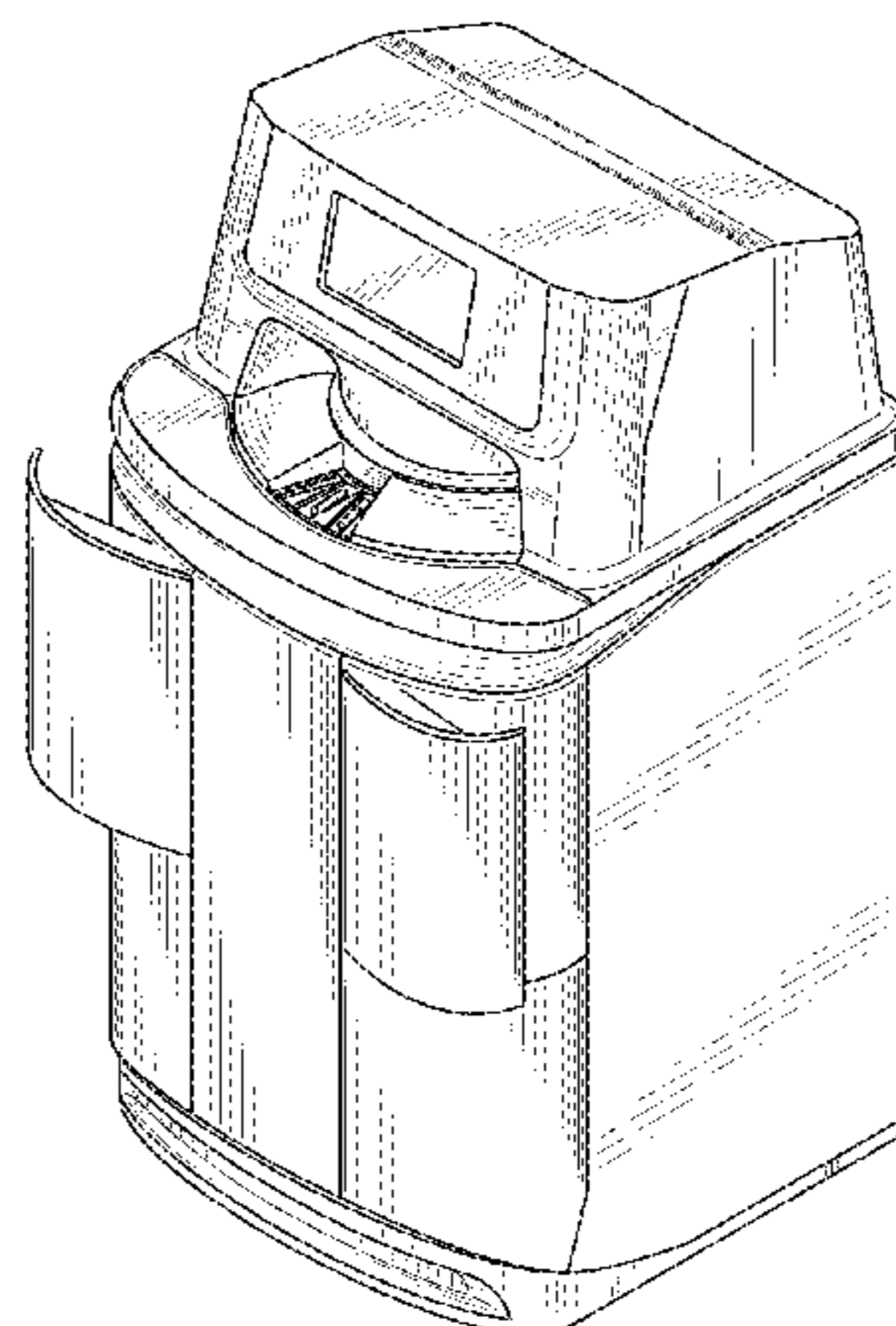
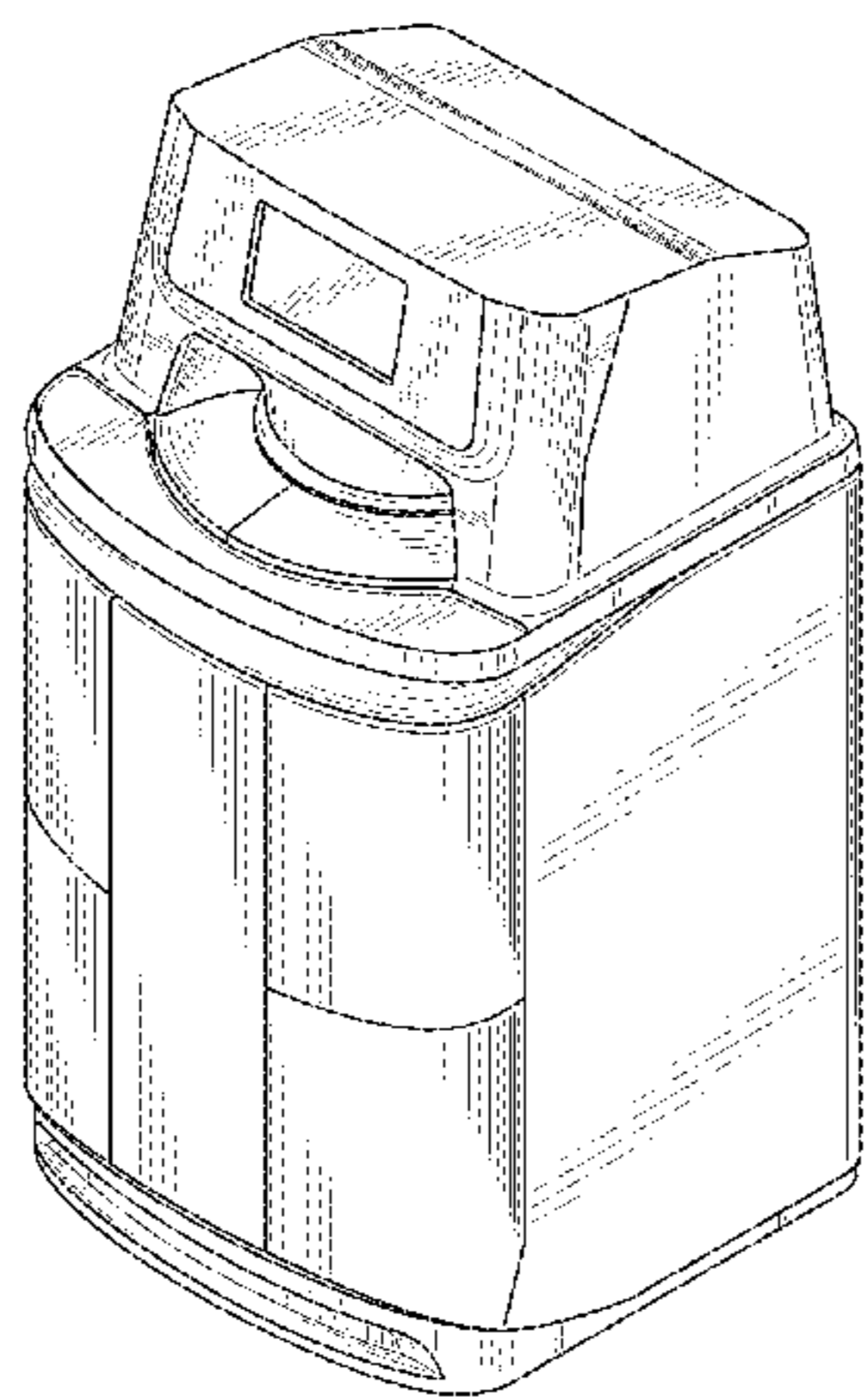
(57) **CLAIM**

The ornamental design for an automated smart storage refrigerator unit, as shown and described.

DESCRIPTION

FIG. 1 is a front perspective view of an automated smart storage refrigerator unit, showing our new design; FIG. 2 is another front perspective view thereof, in an alternate condition; FIG. 3 is a front elevation view thereof; FIG. 4 is back elevation view thereof; FIG. 5 is a left side elevation view thereof; FIG. 6 is a right side elevation view thereof; FIG. 7 is a top plan view thereof; FIG. 8 is another front perspective view thereof, in another alternate condition; and, FIG. 9 is another front perspective view thereof, in another alternate condition.

1 Claim, 9 Drawing Sheets



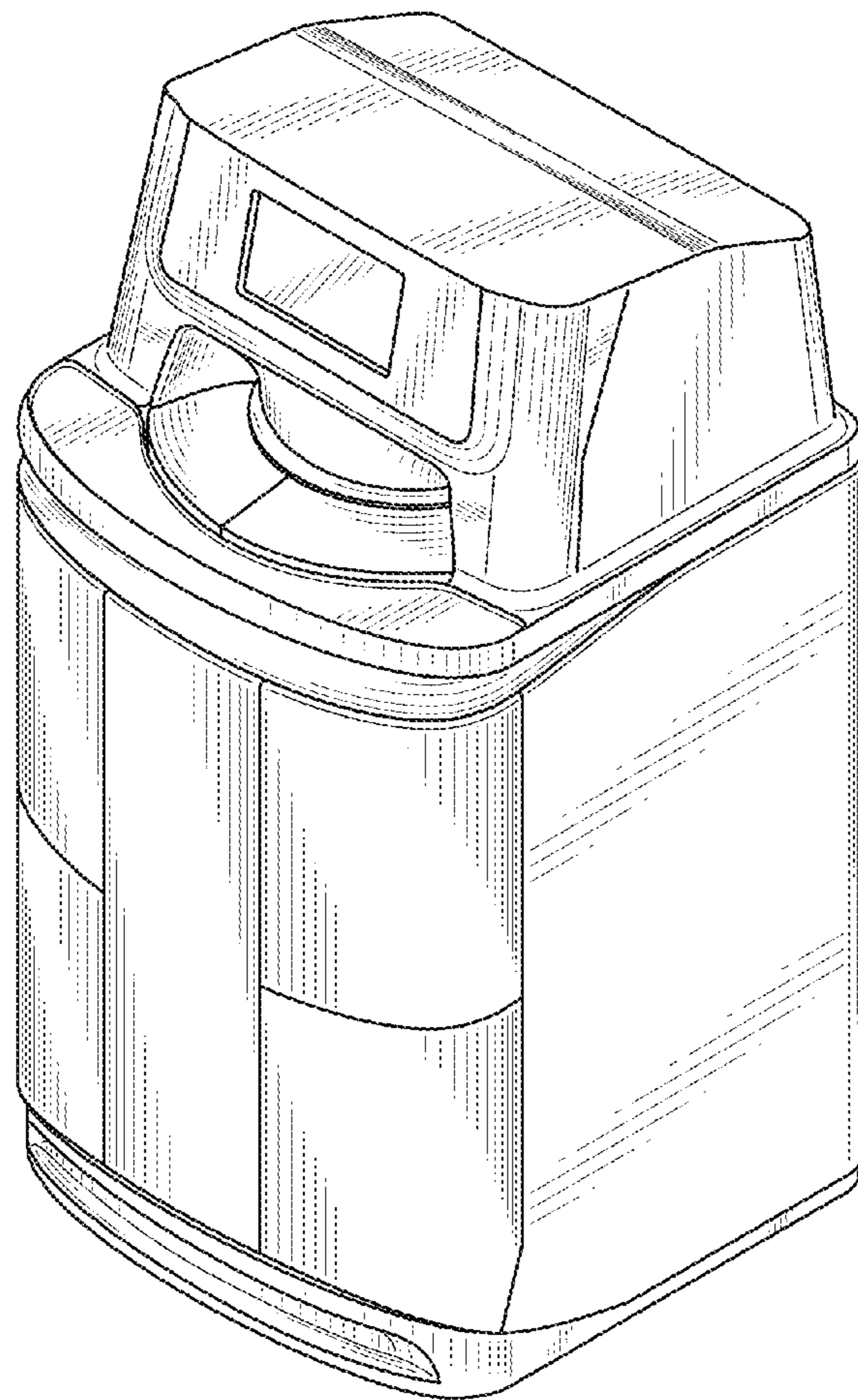


FIG. 1

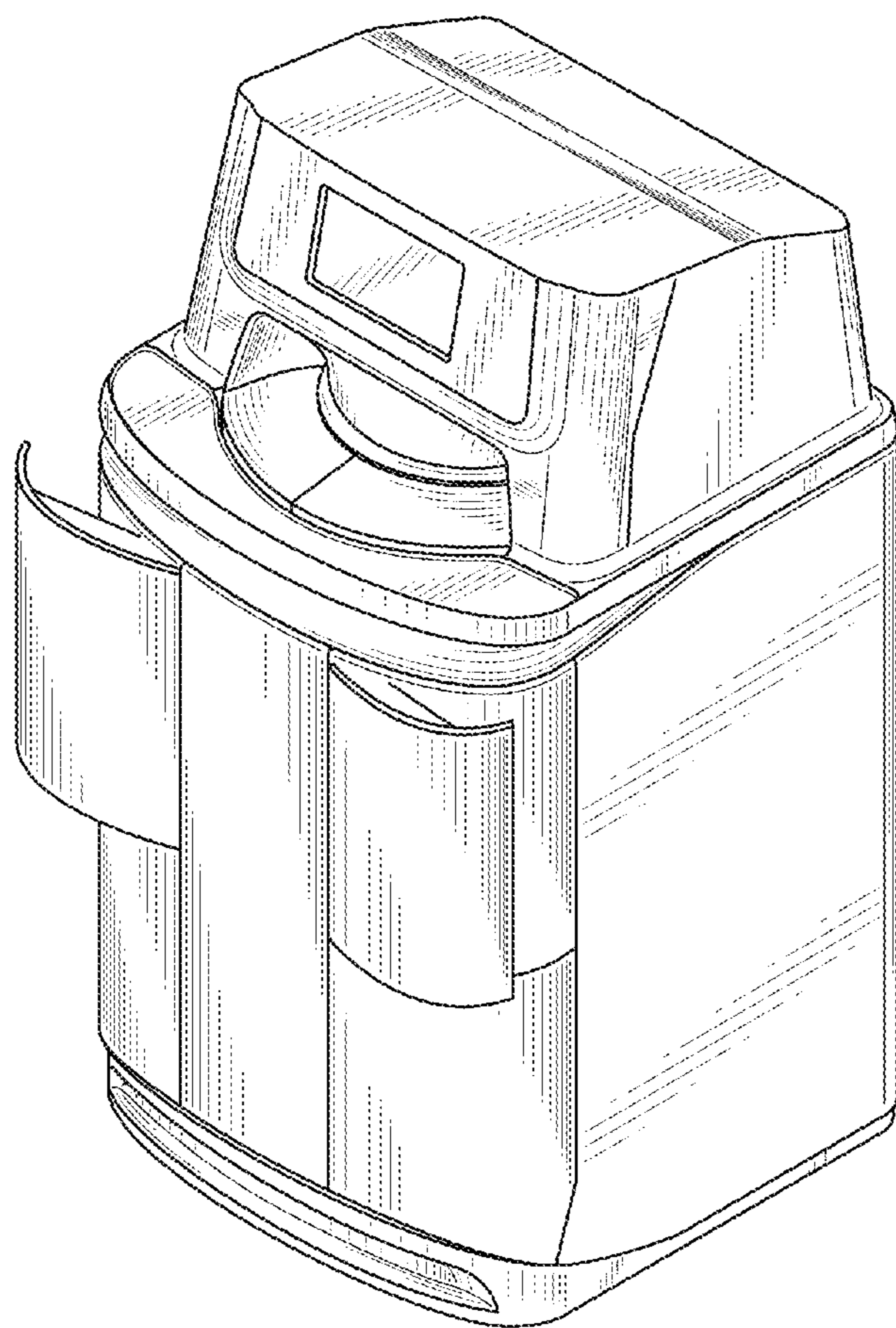


FIG. 2

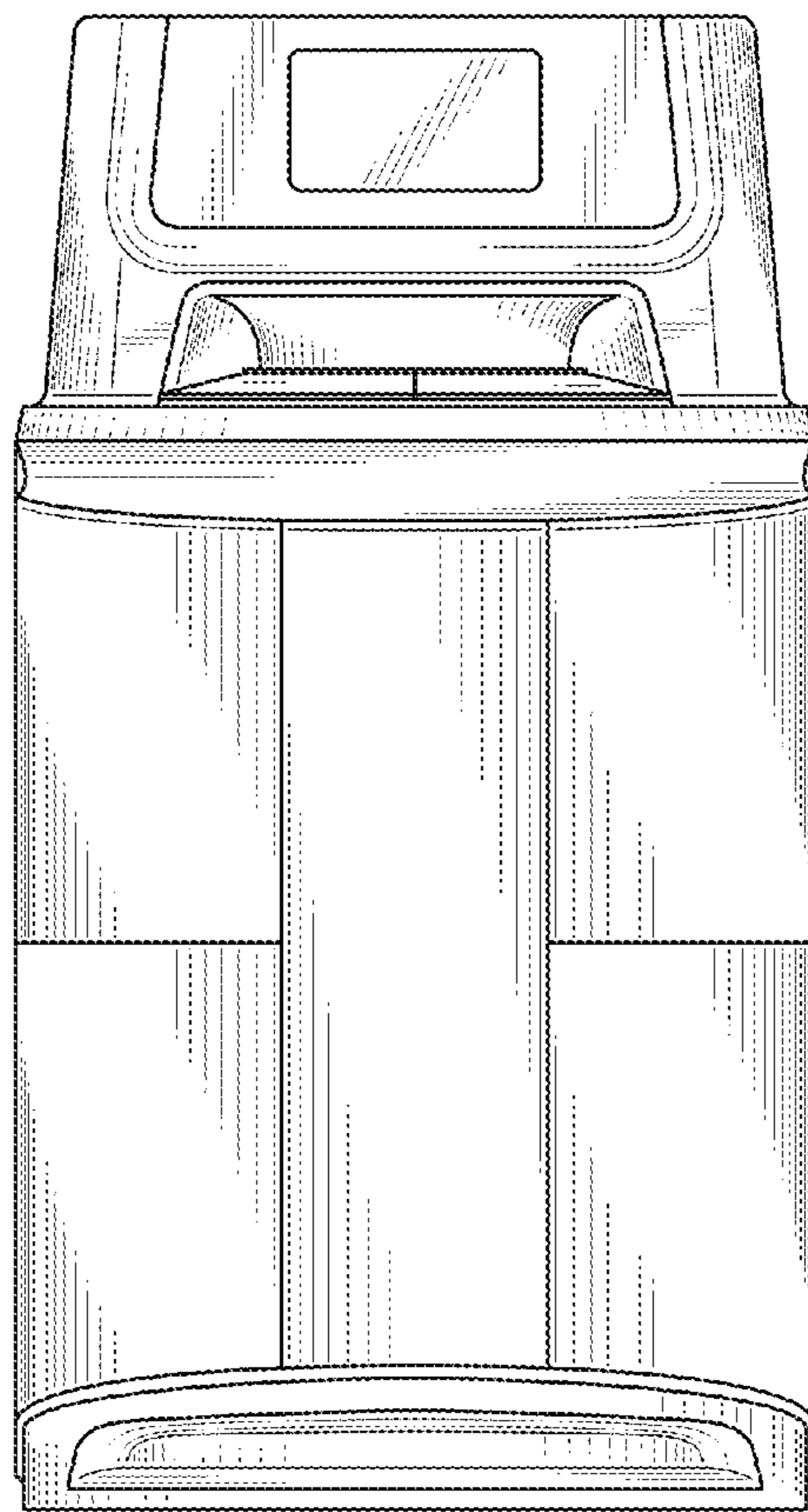


FIG. 3

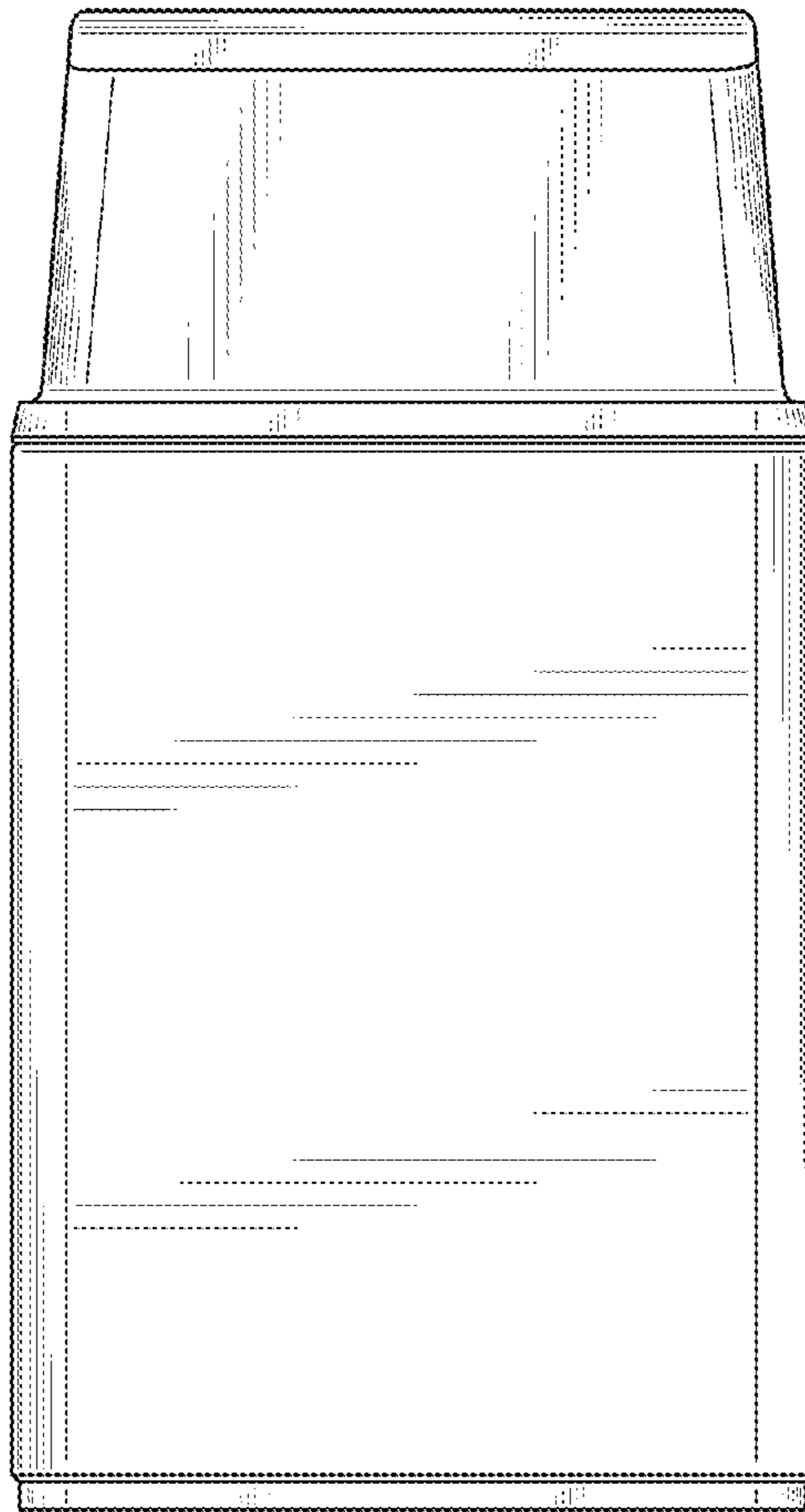


FIG. 4

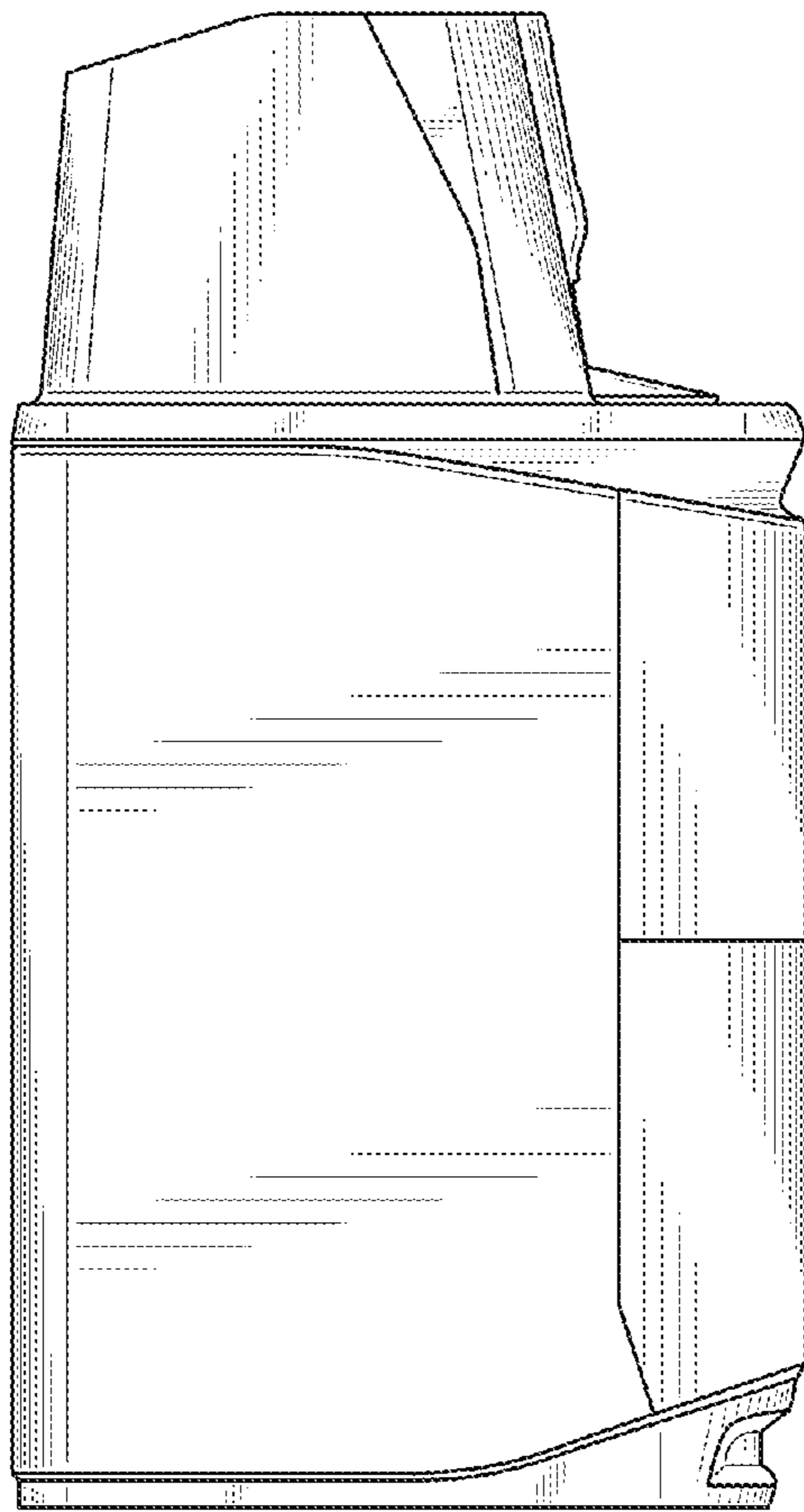


FIG. 5

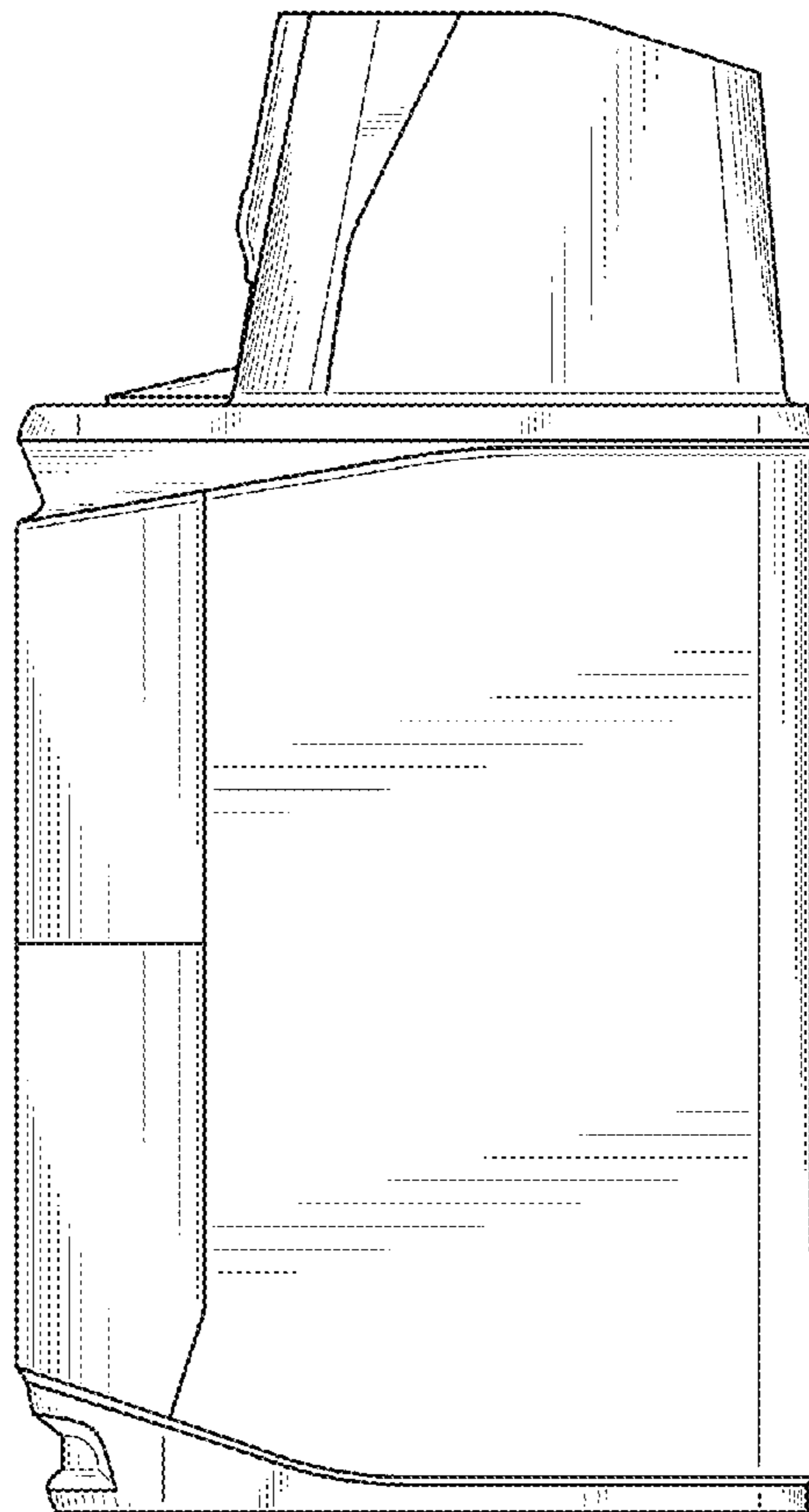


FIG. 6

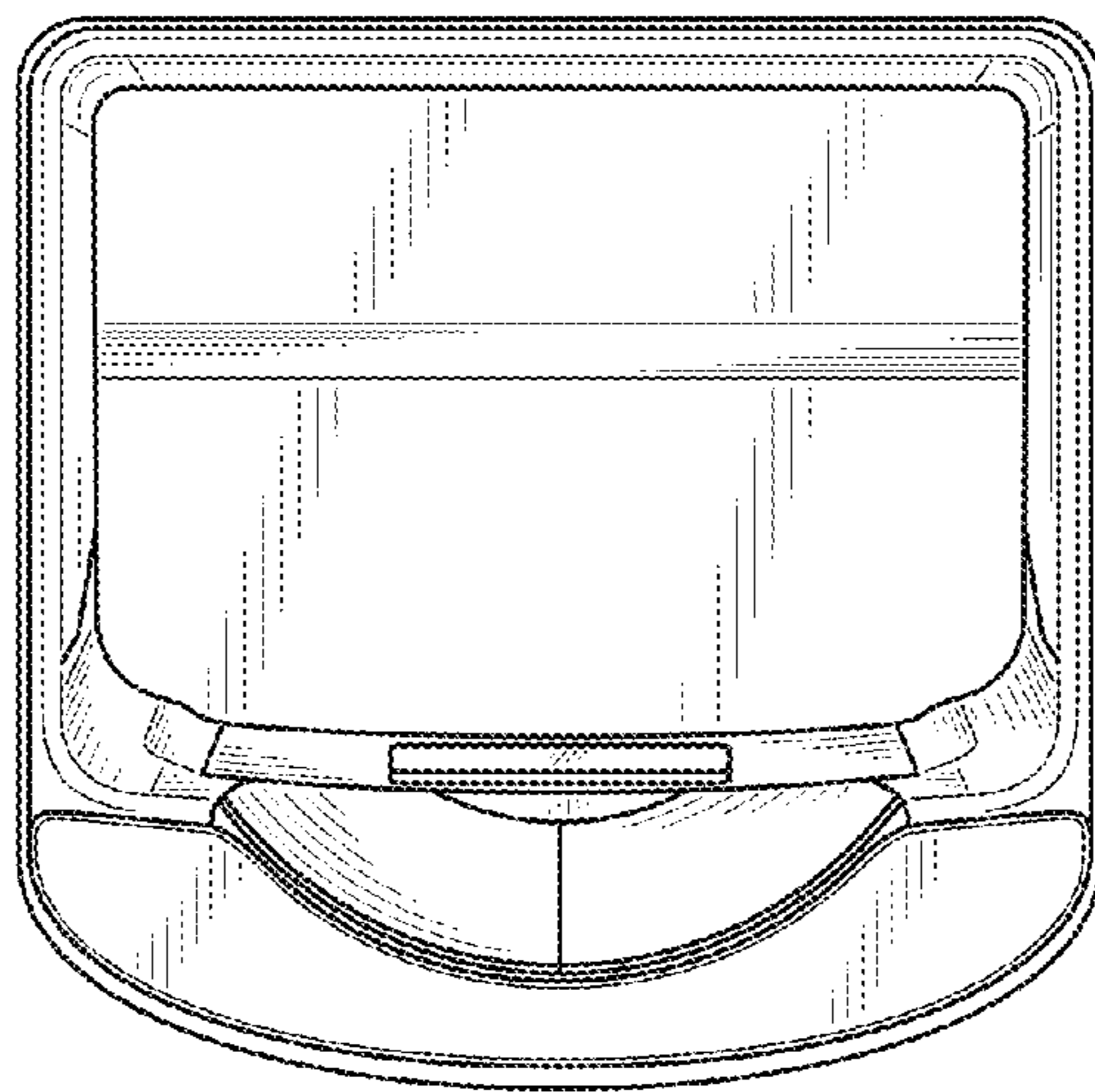


FIG. 7

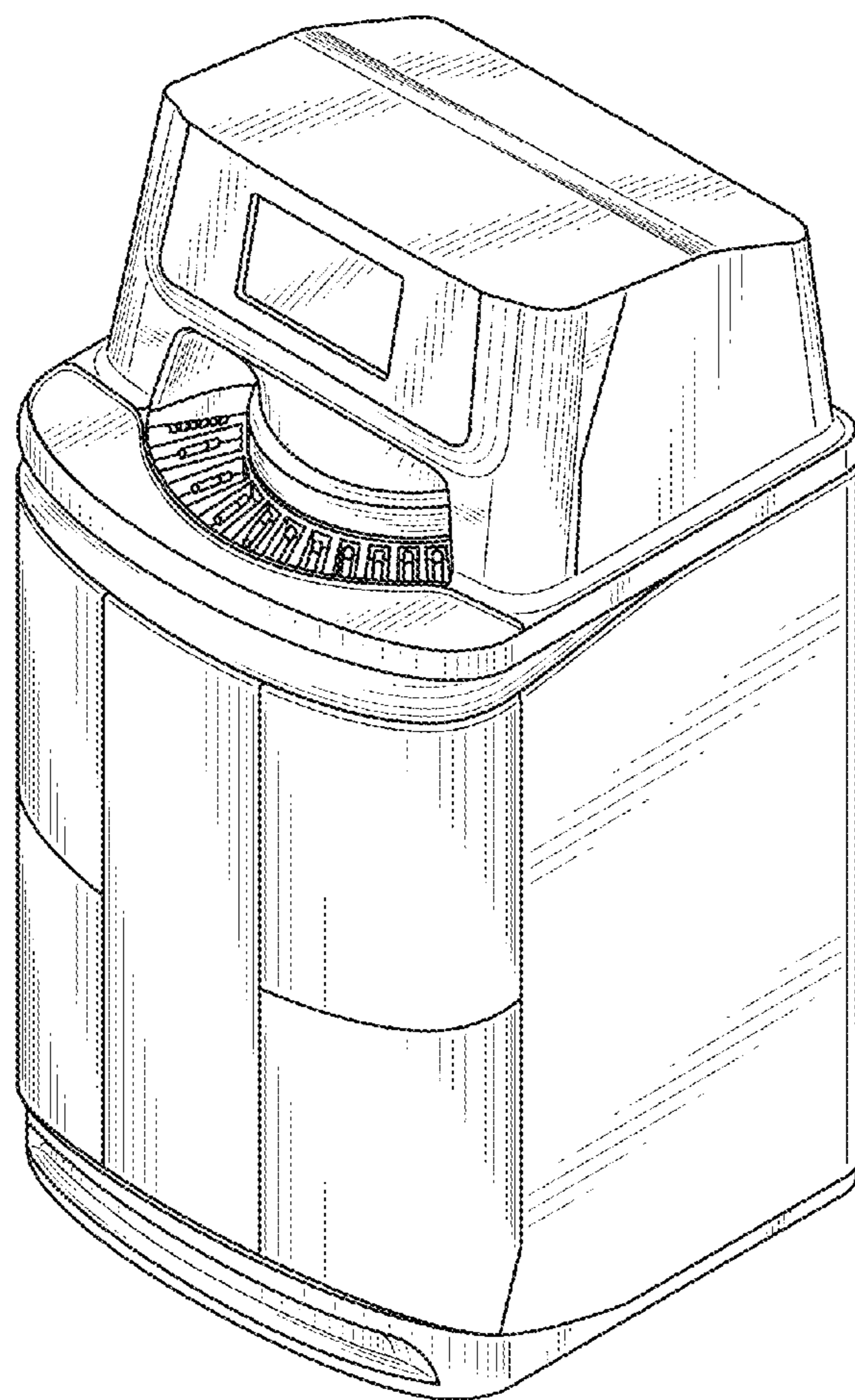


FIG. 8

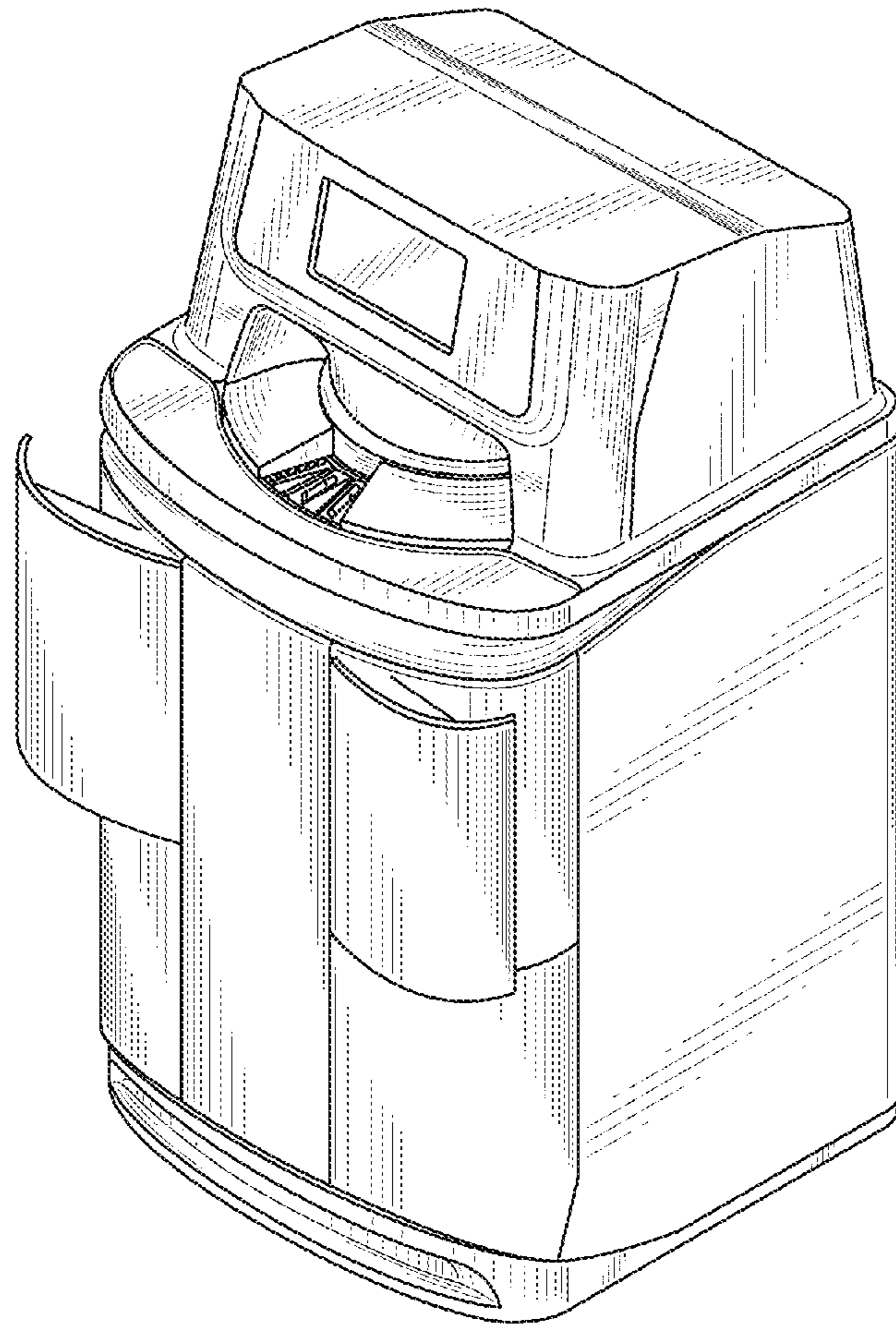


FIG. 9