



US00D747360S

(12) **United States Design Patent**  
**Flynn et al.**

(10) **Patent No.:** **US D747,360 S**  
(45) **Date of Patent:** **\*\* Jan. 12, 2016**

- (54) **EGR TRAP**
- (71) Applicant: **General Electric Company**,  
Schenectady, NY (US)
- (72) Inventors: **Paul Lloyd Flynn**, Lawrence Park, PA  
(US); **Eric Ducharme**, Lawrence Park,  
PA (US)
- (73) Assignee: **General Electric Company**,  
Schenectady, NY (US)
- (\*\*) Term: **14 Years**
- (21) Appl. No.: **29/495,319**
- (22) Filed: **Jun. 30, 2014**
- (51) **LOC (10) Cl.** ..... **15-01**
- (52) **U.S. Cl.**  
USPC ..... **D15/5**
- (58) **Field of Classification Search**  
USPC ..... D15/1-6; 123/568.18, 568.11, 538.12,  
123/568.13, 568.14, 568.15, 568.17, 574;  
D23/266, 262, 264, 265  
CPC ..... F02M 35/10222; F02M 25/07  
See application file for complete search history.

8,839,518	B1 *	9/2014	Neal	.....	B23P 15/26 29/890.03
2007/0068500	A1 *	3/2007	Joergl	.....	F02M 25/0709 123/568.24
2010/0040465	A1 *	2/2010	Moran	.....	F01N 13/1816 415/213.1
2011/0302917	A1 *	12/2011	Styles	.....	F02B 37/025 60/602
2012/0090583	A1 *	4/2012	Rampone	.....	F02M 25/0707 123/568.11
2012/0325187	A1 *	12/2012	Sankar	.....	F02D 41/0065 123/568.21
2014/0144415	A1 *	5/2014	Shimazu	.....	F02M 35/10222 123/568.18
2014/0190459	A1 *	7/2014	Horiuchi	.....	F01P 3/20 123/568.12
2015/0059715	A1 *	3/2015	Forshier	.....	F02M 25/0703 123/568.12
2015/0192095	A1 *	7/2015	Lazich	.....	F02M 25/0722 366/163.2

\* cited by examiner

*Primary Examiner* — T. Chase Nelson  
*Assistant Examiner* — Ania Aman

(74) *Attorney, Agent, or Firm* — GE Global Patent  
Operation; John A. Kramer

(57) **CLAIM**

The ornamental design for an EGR trap, as shown and  
described.

(56) **References Cited**

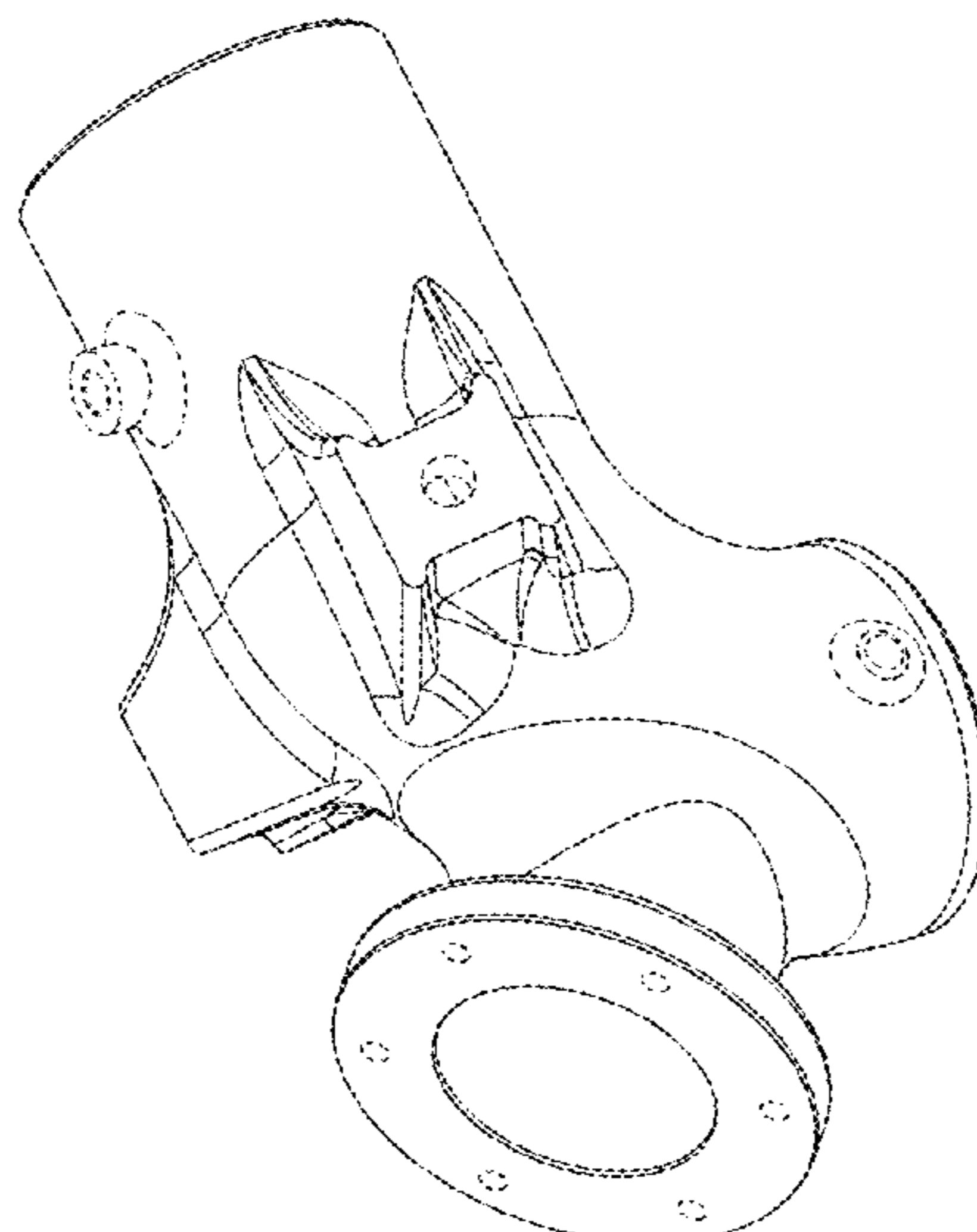
U.S. PATENT DOCUMENTS

4,960,096	A *	10/1990	Sukimoto	.....	F02M 25/0721 123/184.21
5,611,204	A *	3/1997	Radovanovic	.....	F02M 25/0722 123/574
6,474,060	B2	11/2002	Khair		
6,598,388	B2	7/2003	Lucas et al.		
7,484,502	B1 *	2/2009	Yoon	.....	F01P 11/04 123/568.12
7,617,678	B2 *	11/2009	Joergl	.....	F02M 25/0709 123/568.12
7,798,135	B2 *	9/2010	Bischofberger	...	F02M 25/0722 123/568.11
8,763,592	B2 *	7/2014	Rampone	.....	F02M 25/0707 123/568.17

**DESCRIPTION**

FIG. 1 is a perspective view of an ornamental design for an  
EGR trap according to the invention.  
FIG. 2 is a front view of the EGR trap of FIG. 1.  
FIG. 3 is a rear view of the EGR trap of FIG. 1.  
FIG. 4 is a left view of the EGR trap of FIG. 1.  
FIG. 5 is a right view of the EGR trap of FIG. 1.  
FIG. 6 is a top view of the EGR trap of FIG. 1; and,  
FIG. 7 is a bottom view of the EGR trap of FIG. 1.  
The broken line shown in the drawings are for the purpose of  
illustrating portions of the article that form no part of the  
claimed design.

**1 Claim, 7 Drawing Sheets**



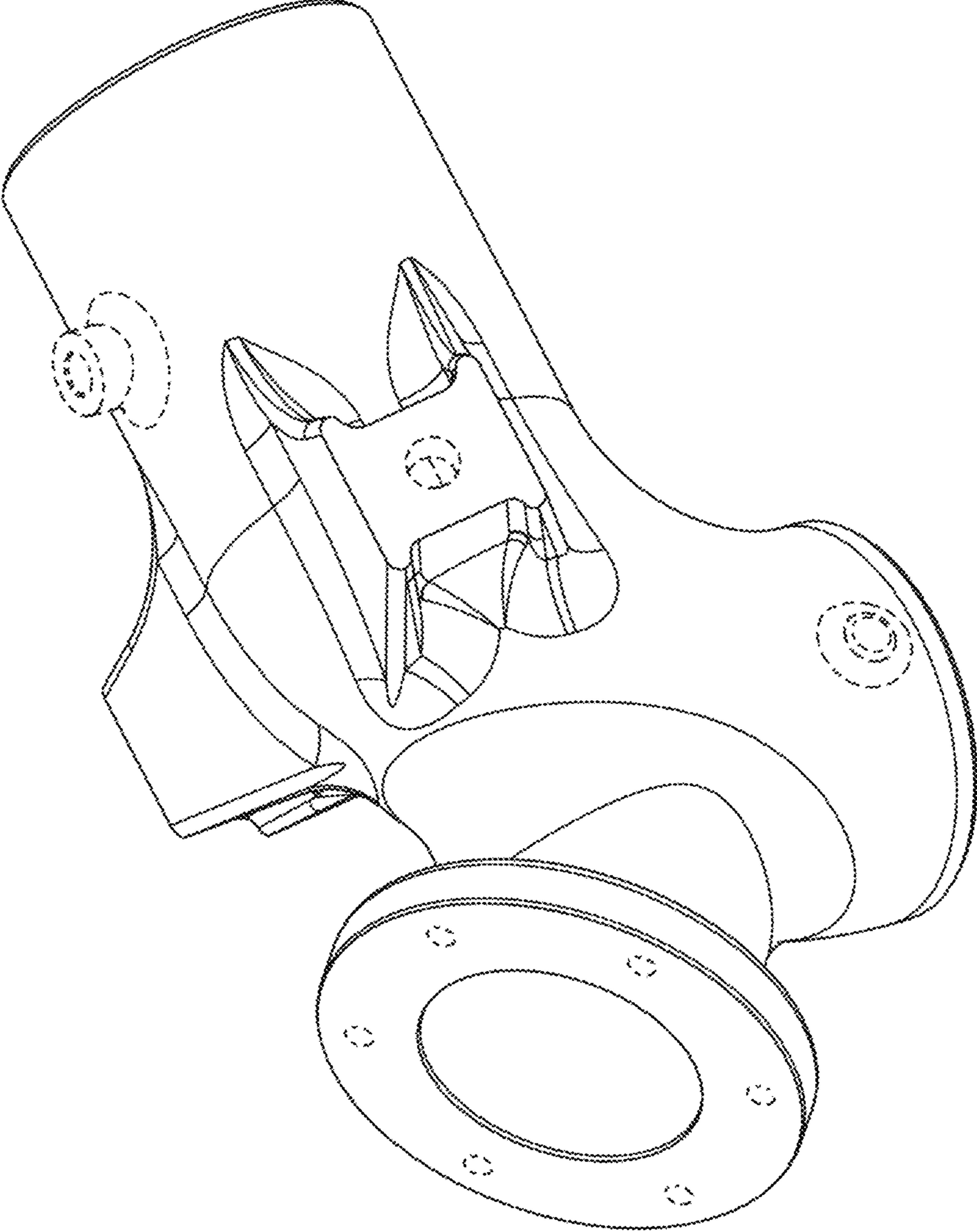


FIG. 1

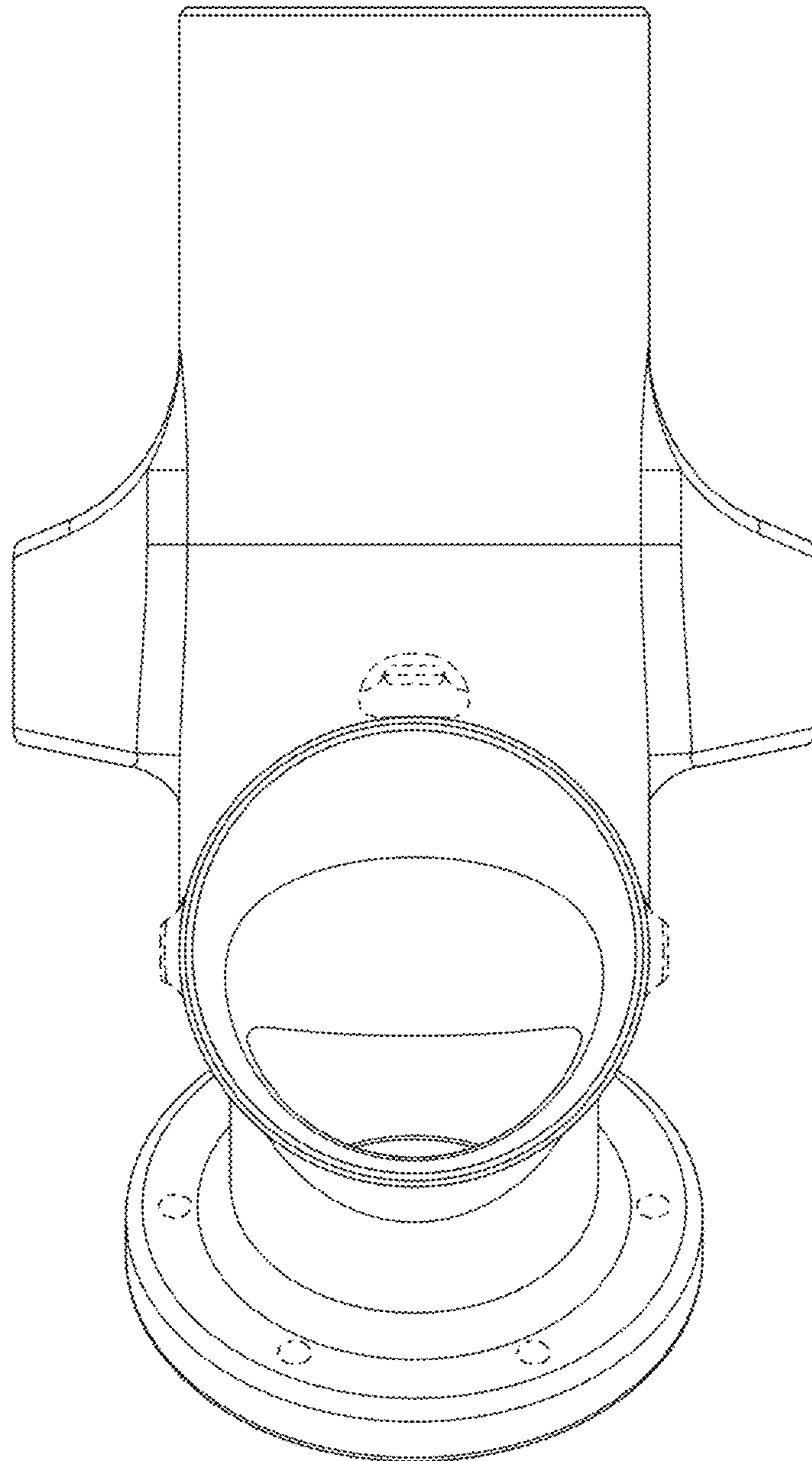


FIG. 2

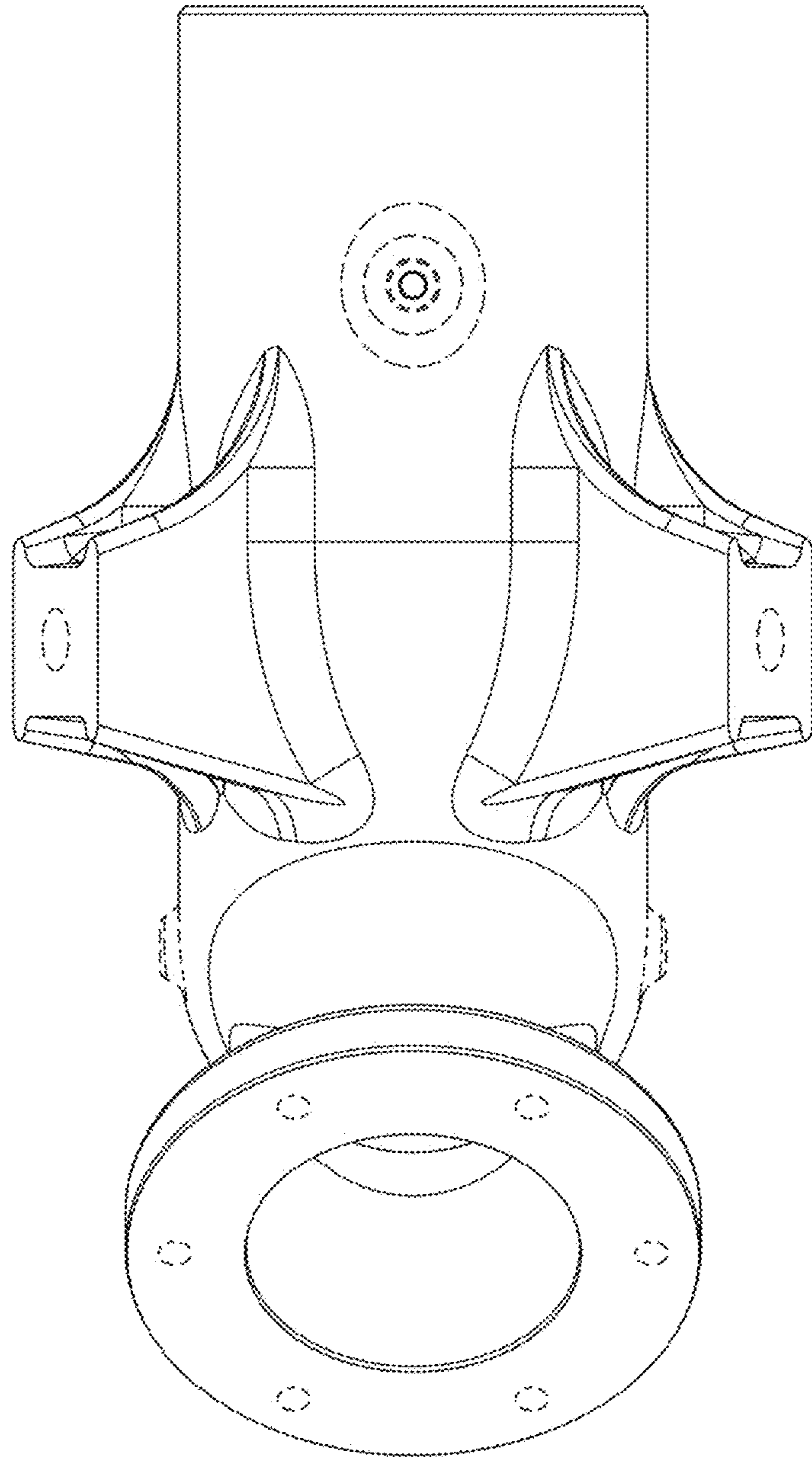


FIG. 3



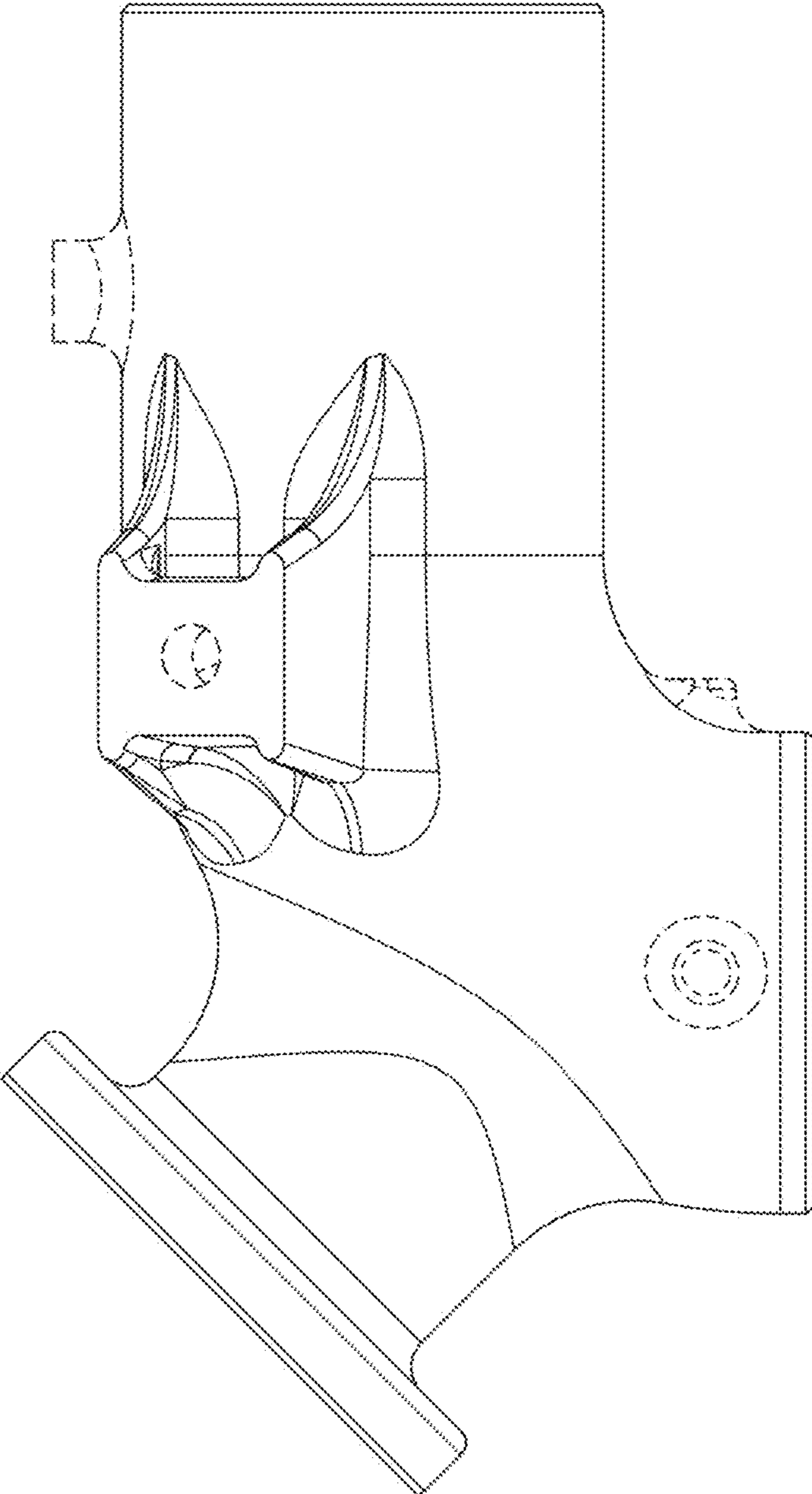


FIG. 4

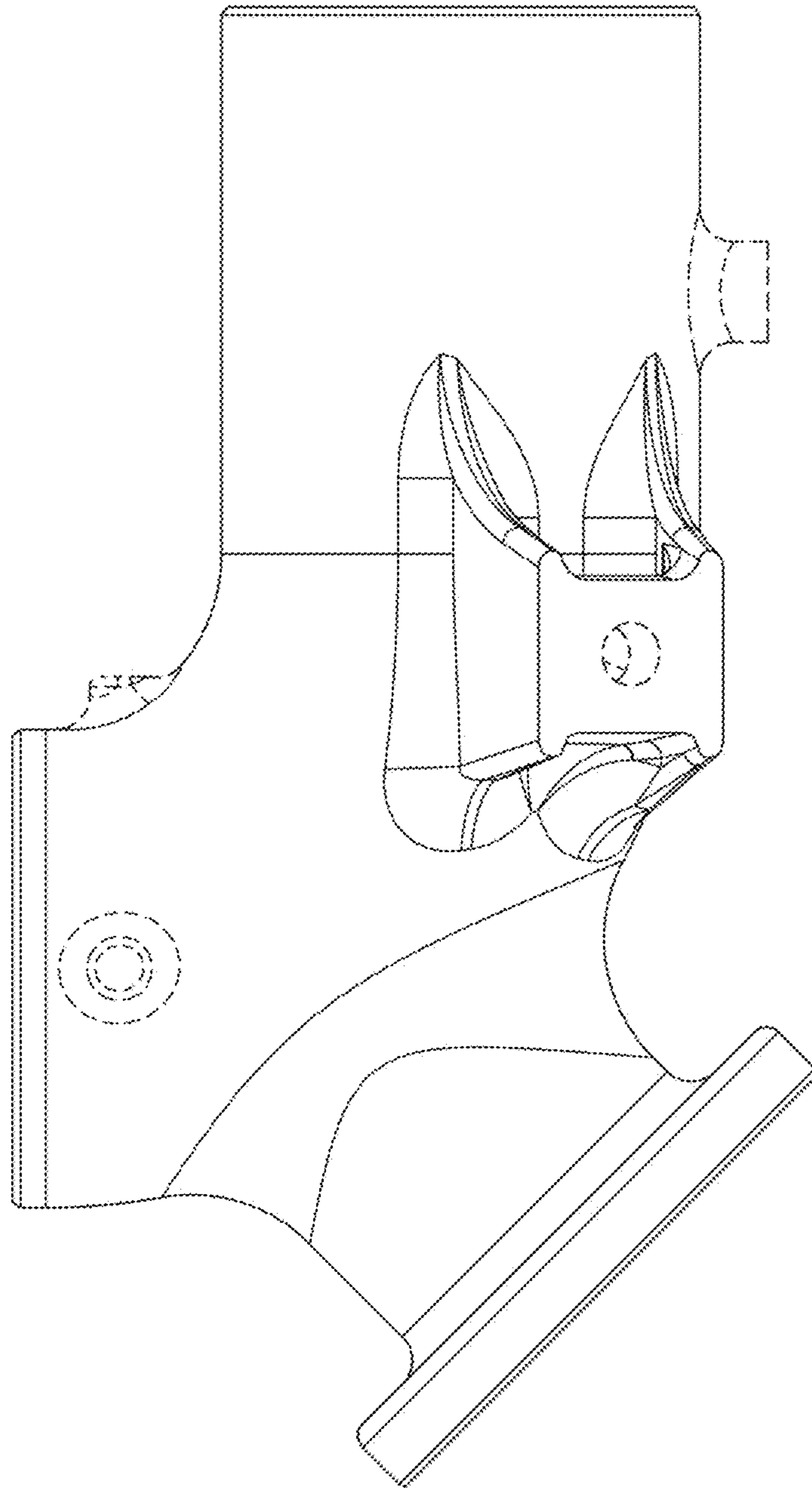


FIG. 5

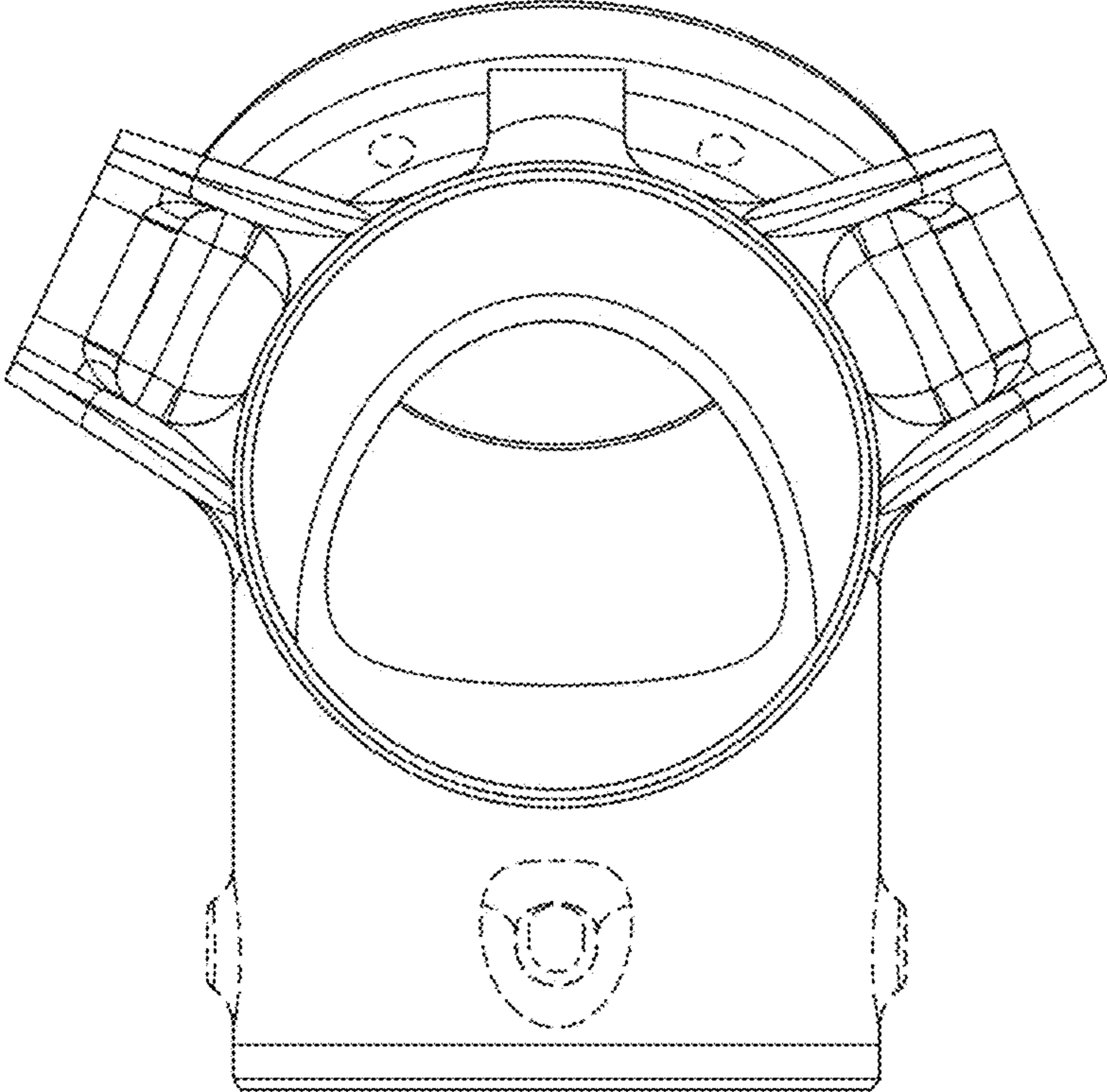


FIG. 6

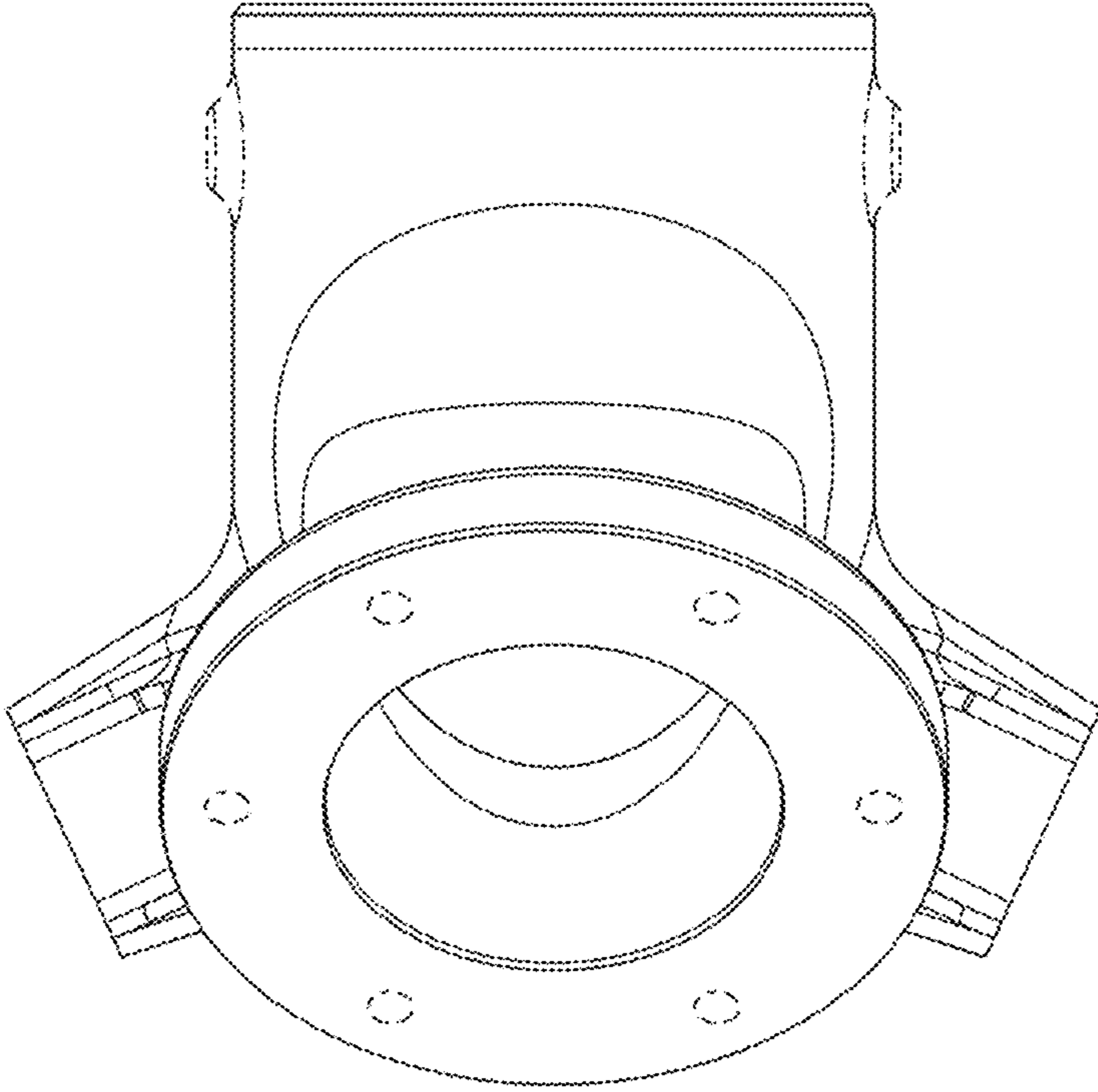


FIG. 7