



US00D747359S

(12) **United States Design Patent**
Nichols

(10) **Patent No.:** **US D747,359 S**
(45) **Date of Patent:** **** Jan. 12, 2016**

(54) **ROLLER BRIDGE**

(71) Applicant: **Garth Cody Nichols**, Urbana, OH (US)

(72) Inventor: **Garth Cody Nichols**, Urbana, OH (US)

(**) Term: **14 Years**

(21) Appl. No.: **29/490,410**

(22) Filed: **May 9, 2014**

(51) **LOC (10) Cl.** **15-01**

(52) **U.S. Cl.**
USPC **D15/5**

(58) **Field of Classification Search**
USPC D15/1-6; 123/90.16, 321, 90.15, 90.22,
123/90.39, 90.41
See application file for complete search history.

(56) **References Cited**

U.S. PATENT DOCUMENTS

4,677,723	A *	7/1987	Greene, Sr.	29/890.121
5,236,274	A *	8/1993	Taniguchi	403/372
6,032,627	A *	3/2000	Brogdon et al.	123/90.22
6,047,675	A *	4/2000	Kunz	123/90.41
6,830,022	B2 *	12/2004	Lutz	123/90.39
7,878,166	B2 *	2/2011	Wotherspoon et al.	123/90.39
8,499,740	B2 *	8/2013	Yoon et al.	123/321
8,528,508	B2 *	9/2013	Meistrick et al.	123/90.16
8,820,276	B2 *	9/2014	Vorih et al.	123/90.15
2003/0079705	A1 *	5/2003	Lutz	123/90.39

2009/0139477	A1 *	6/2009	Wotherspoon et al.	123/90.22
2011/0239967	A1 *	10/2011	Gigante	123/90.22
2014/0251266	A1 *	9/2014	Emmons et al.	123/321

* cited by examiner

Primary Examiner — T. Chase Nelson

Assistant Examiner — Ania Aman

(74) *Attorney, Agent, or Firm* — Bryce D. Miracle; Miracle IP

(57) **CLAIM**

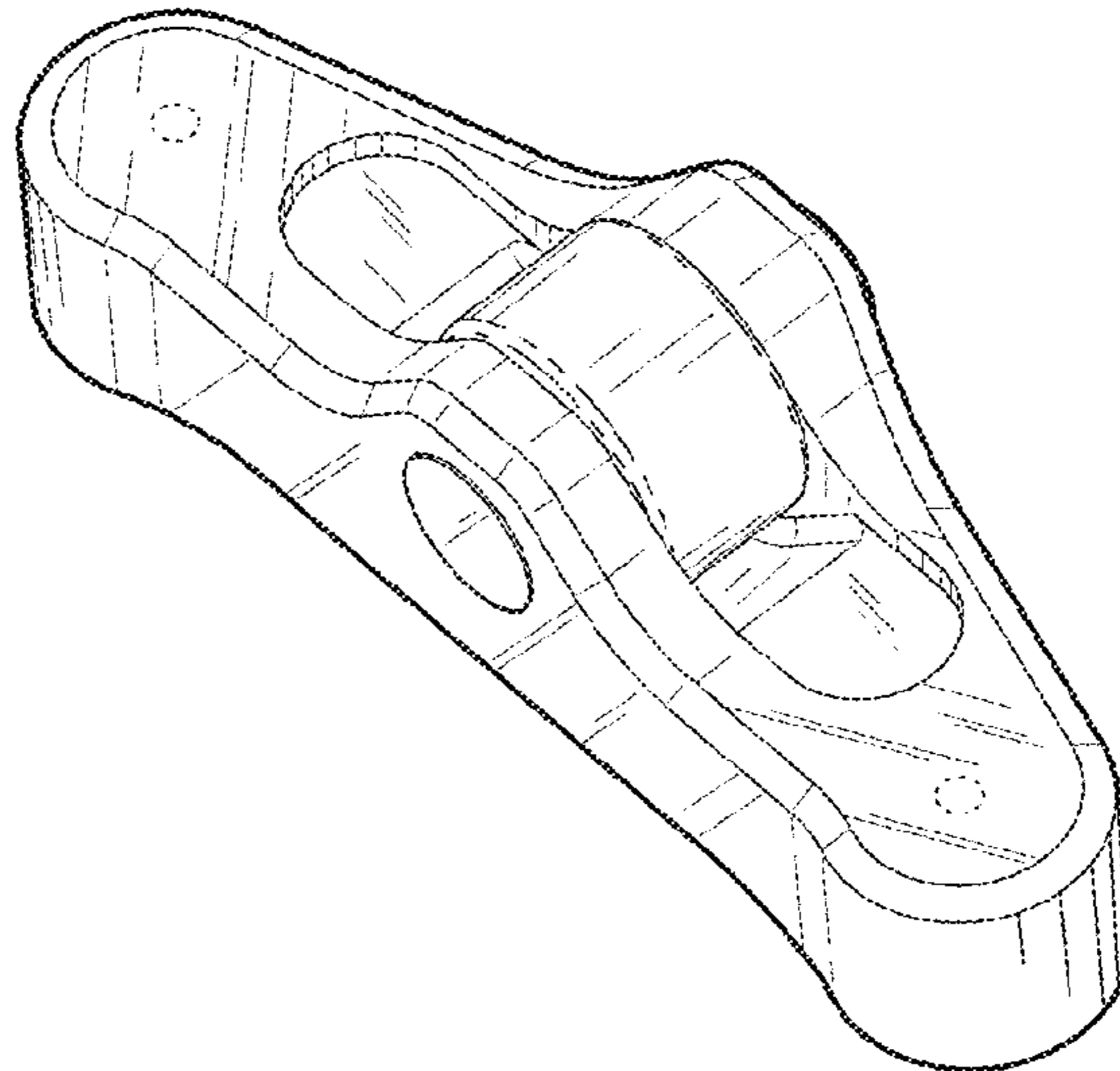
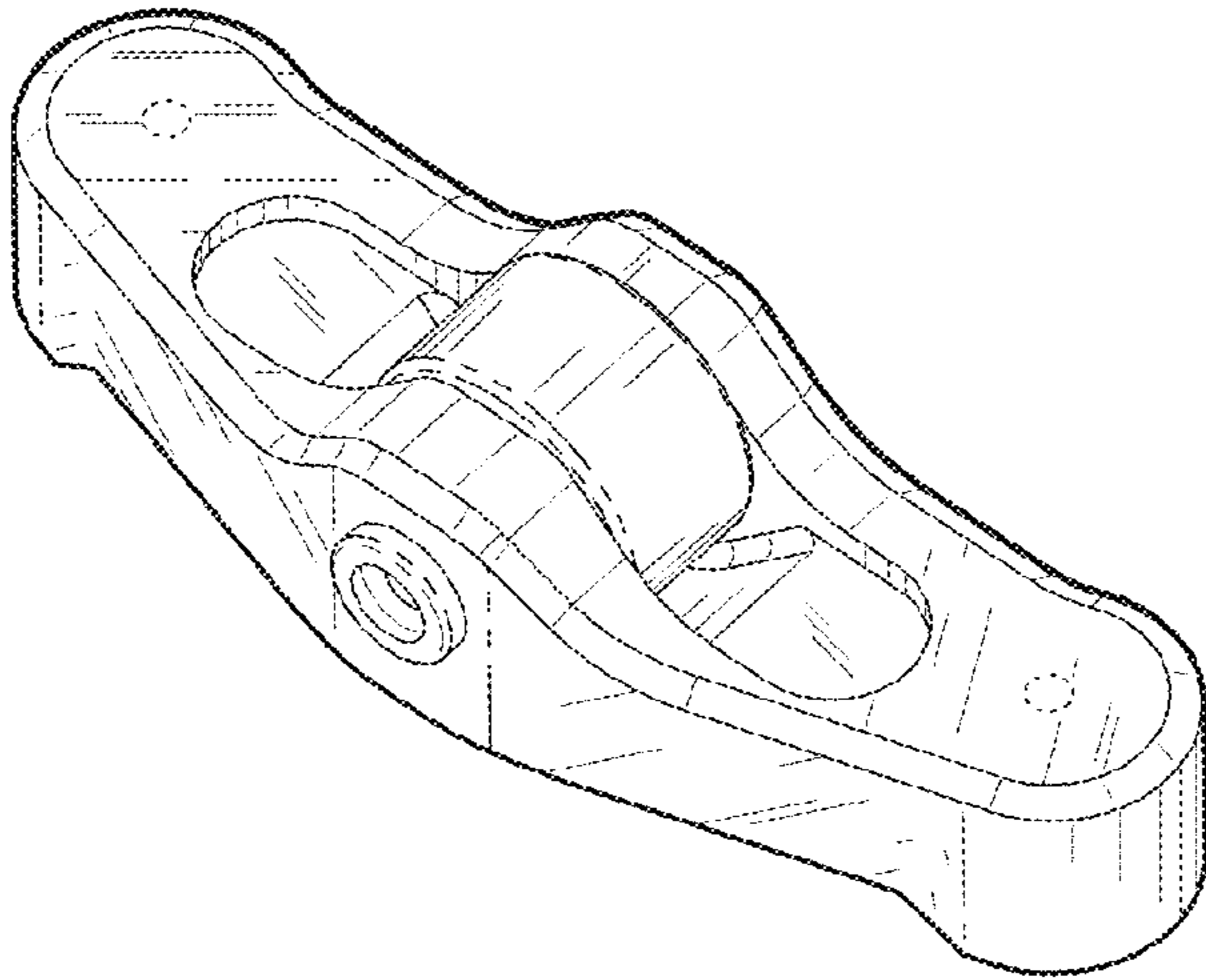
The ornamental design for a roller bridge, substantially as shown and described.

DESCRIPTION

FIG. 1 is a top, front perspective view of the roller bridge showing the new design;
FIG. 2 is a top, rear perspective view thereof;
FIG. 3 is a front elevation view thereof;
FIG. 4 is a rear elevation view thereof;
FIG. 5 is a top plan view thereof;
FIG. 6 is a bottom plan view thereof;
FIG. 7 is a left side elevation view thereof;
FIG. 8 is a right side elevation view thereof;
FIG. 9 is a bottom, front perspective view thereof; and,
FIG. 10 is a bottom, rear perspective view thereof.

The broken line shown in the drawings are for the purpose of illustrating portions of the article that form no part of the claimed design.

1 Claim, 5 Drawing Sheets



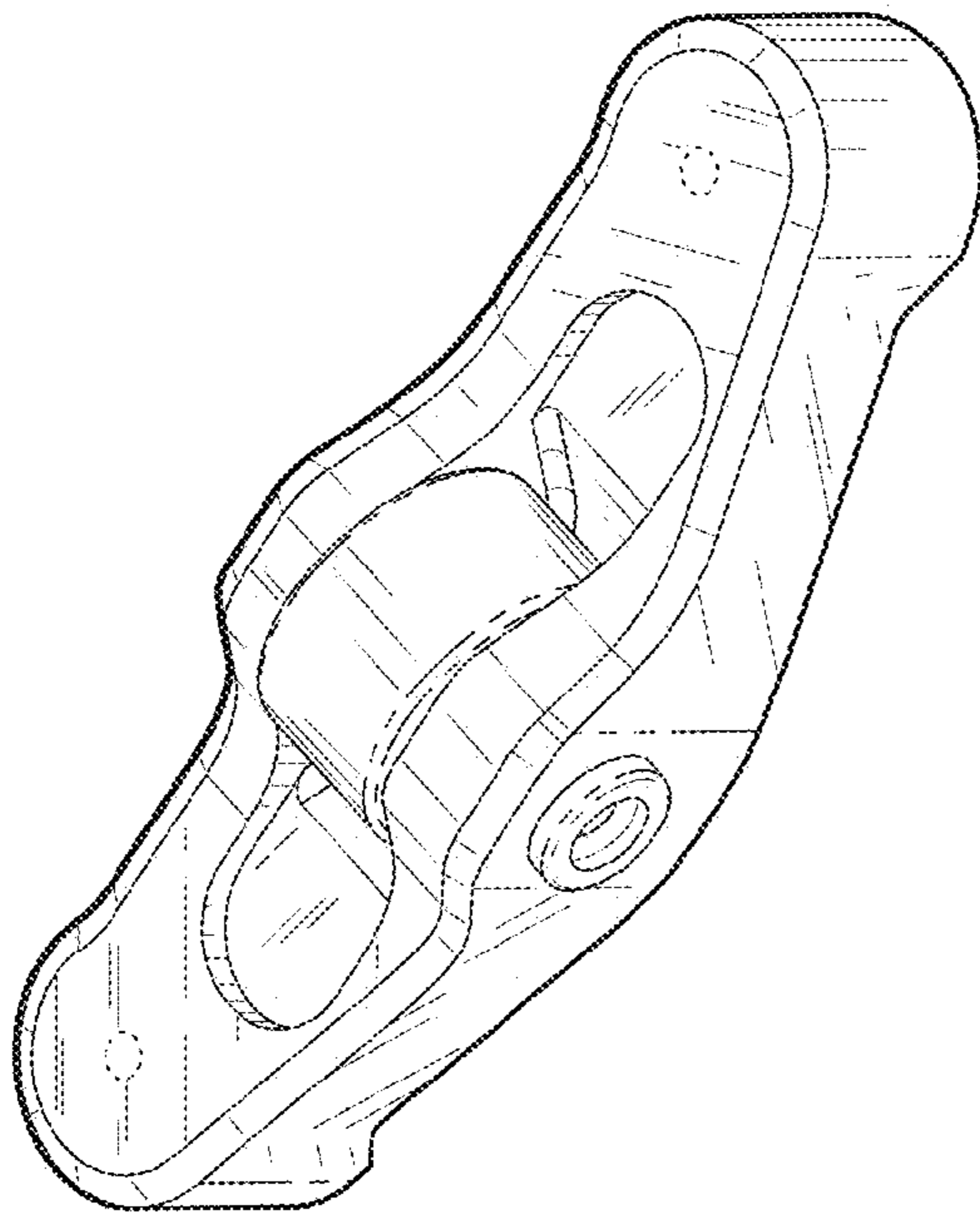


FIG. 1

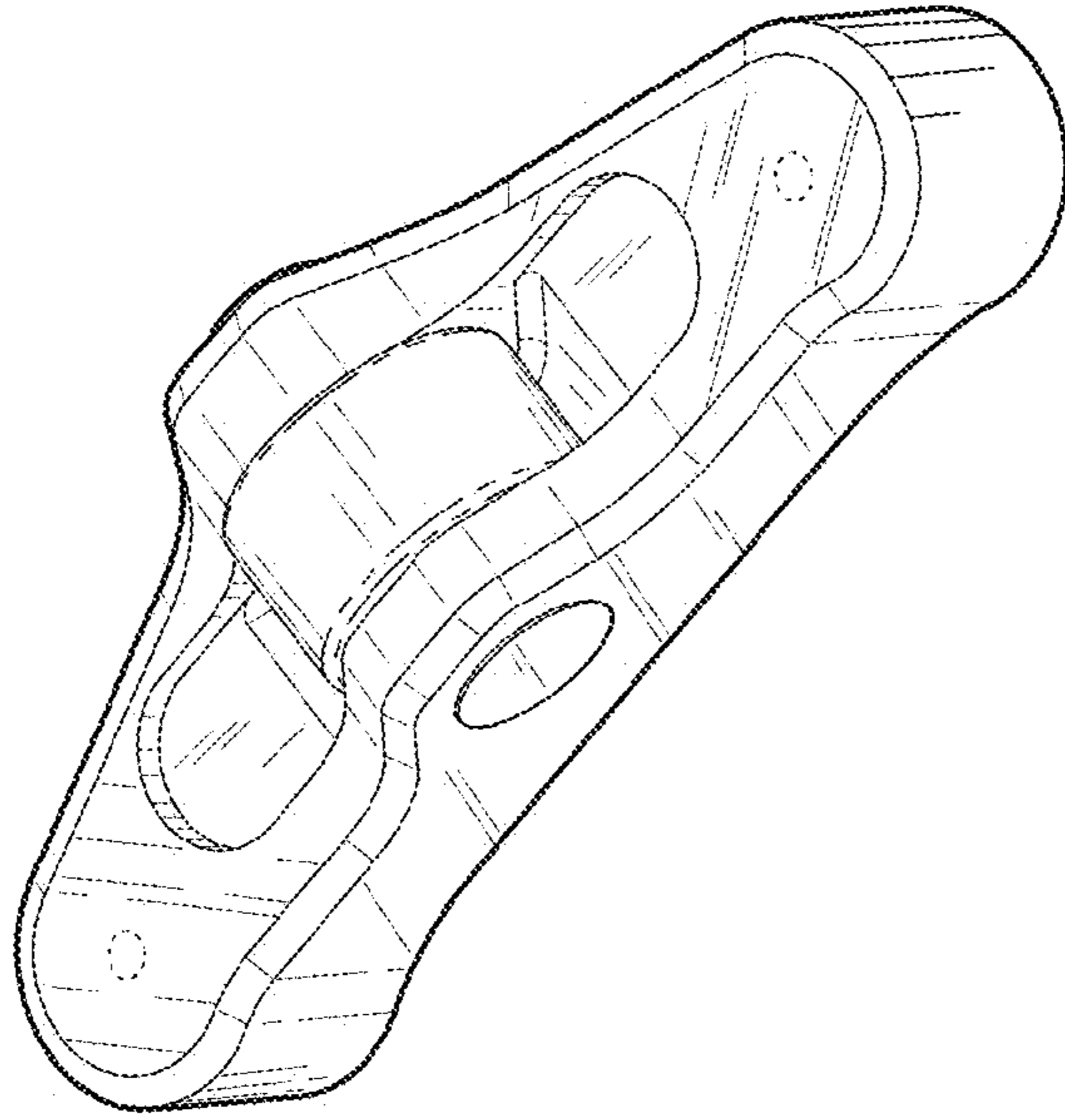


FIG. 2

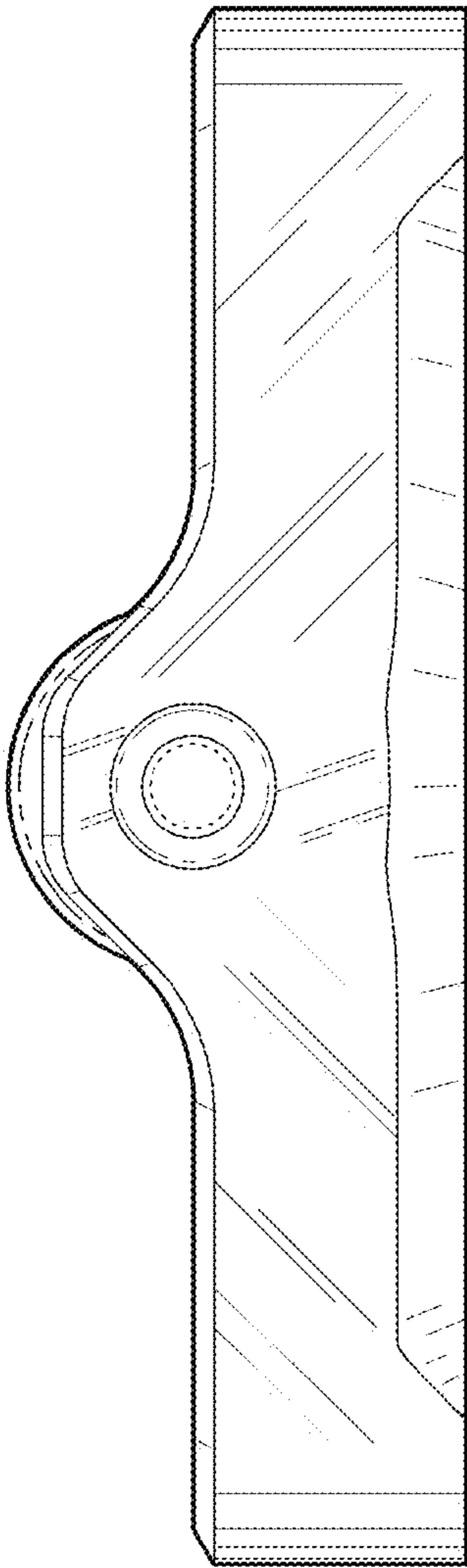


FIG. 3

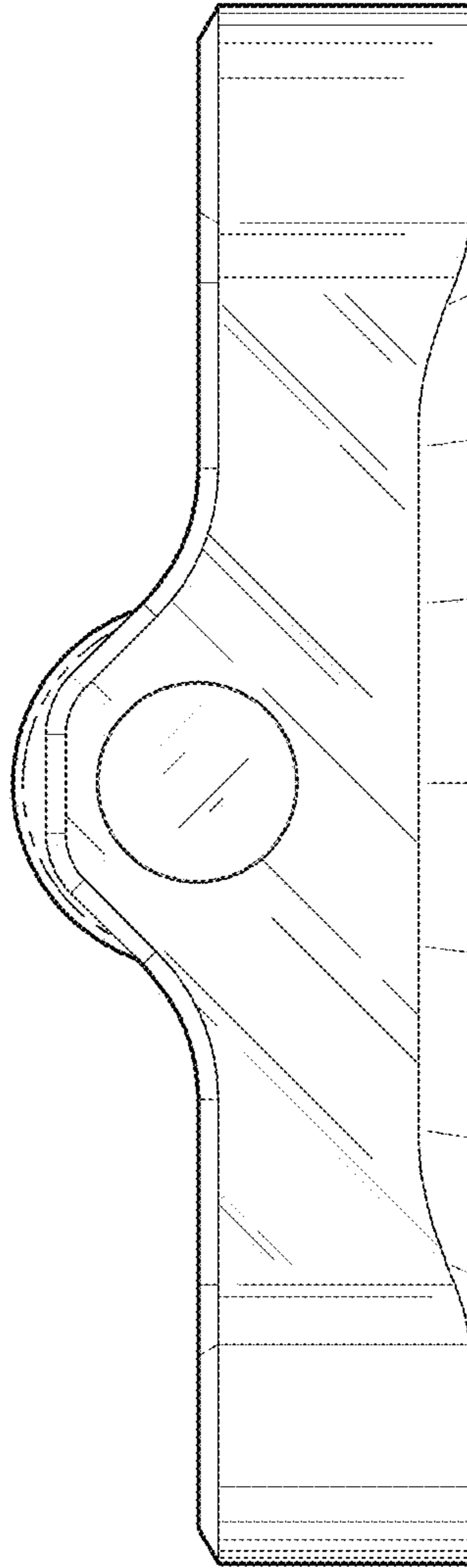


FIG. 4

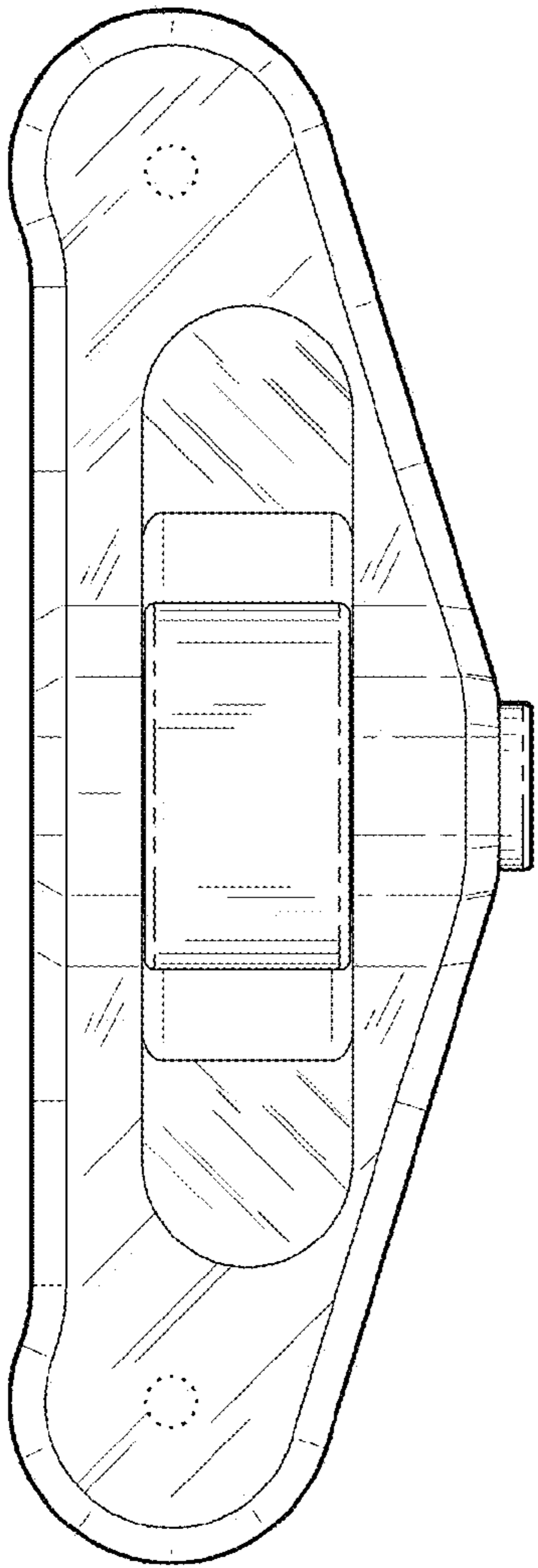


FIG. 5

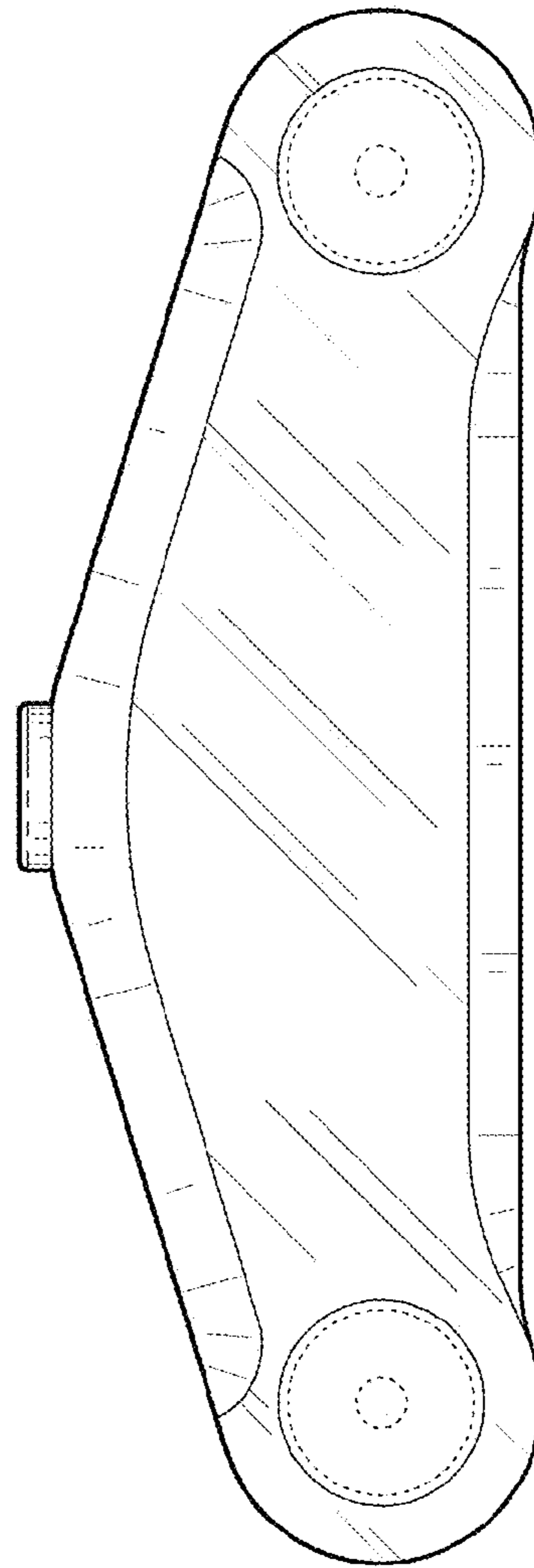


FIG. 6

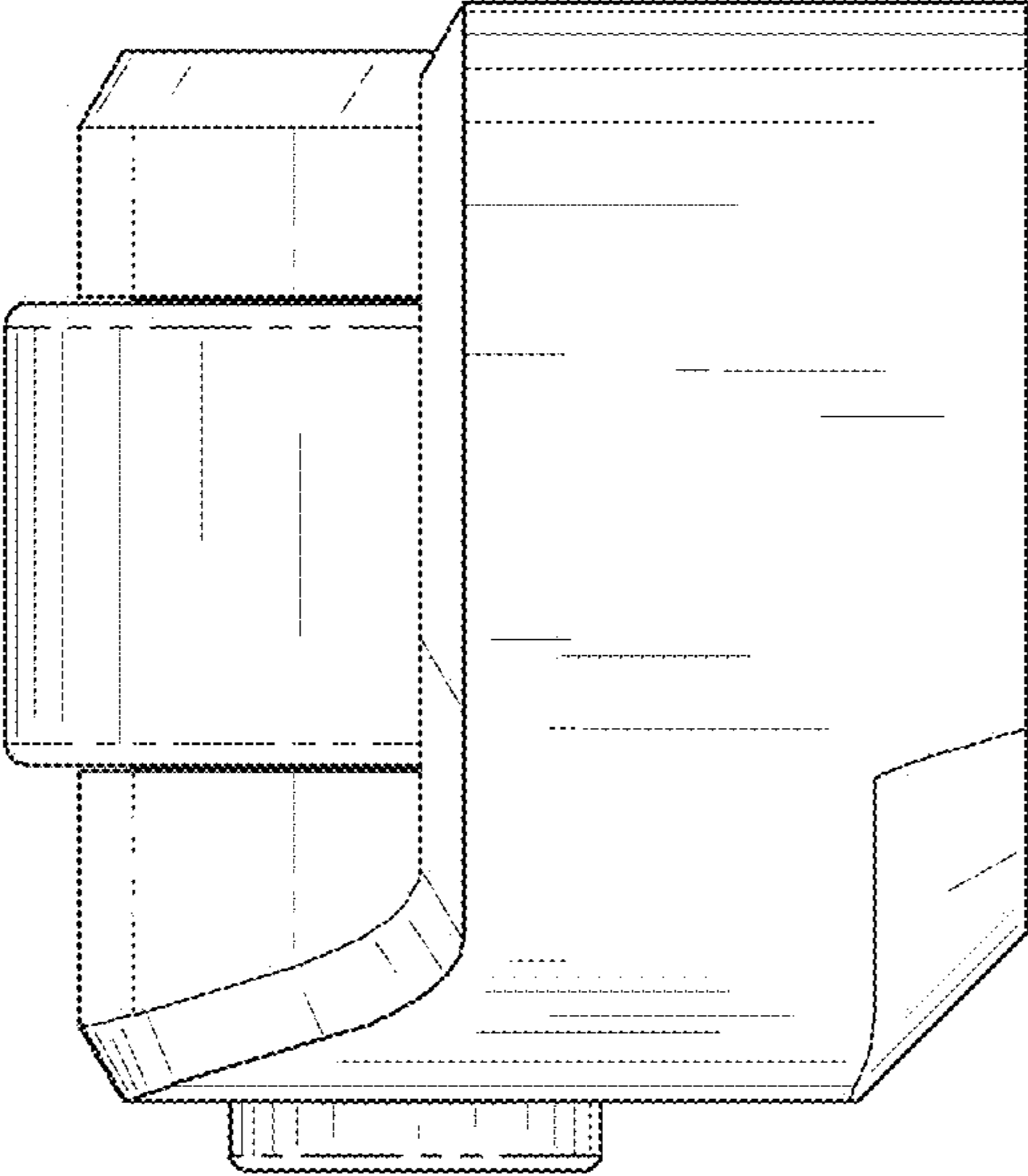


FIG. 7

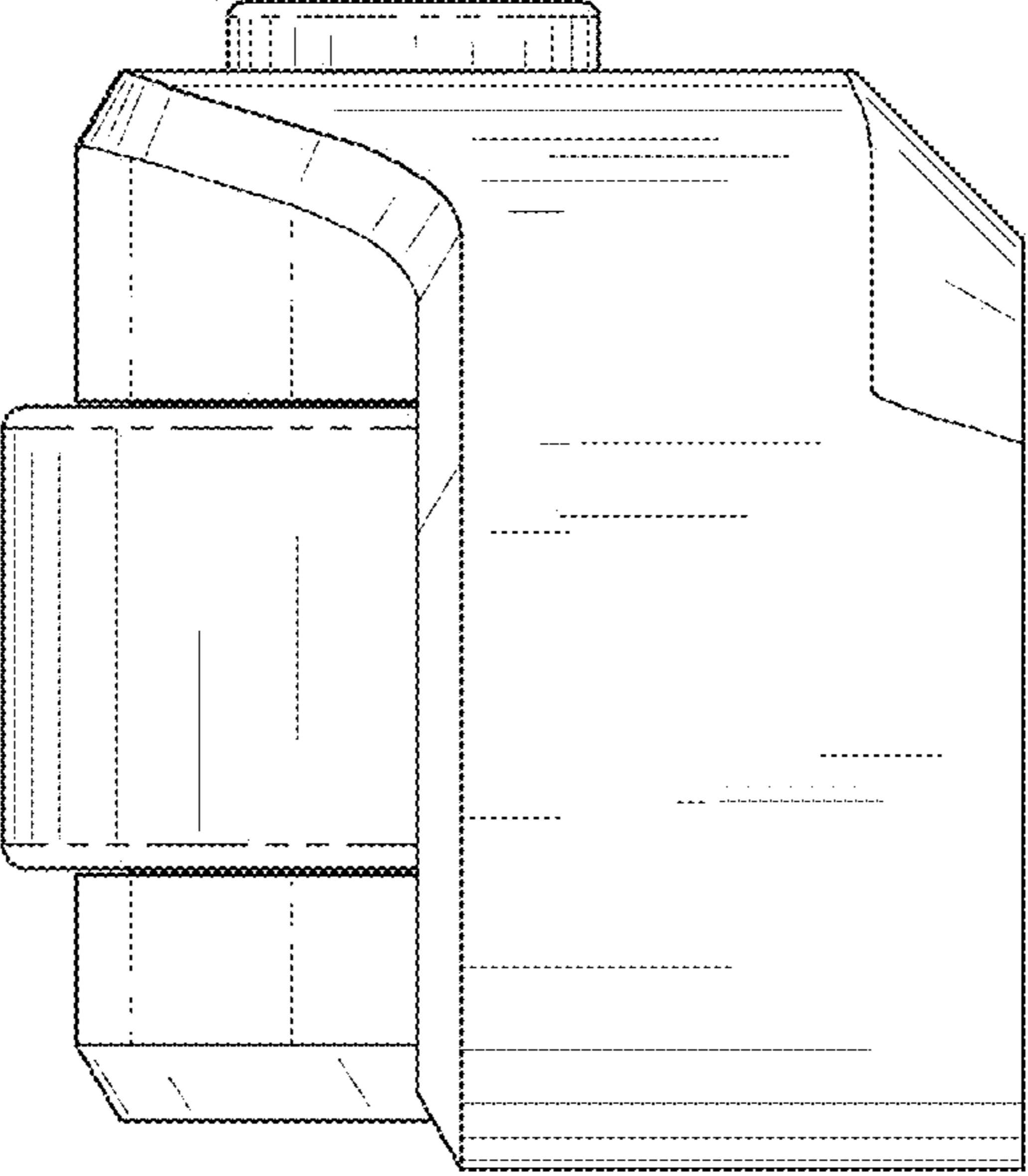


FIG. 8

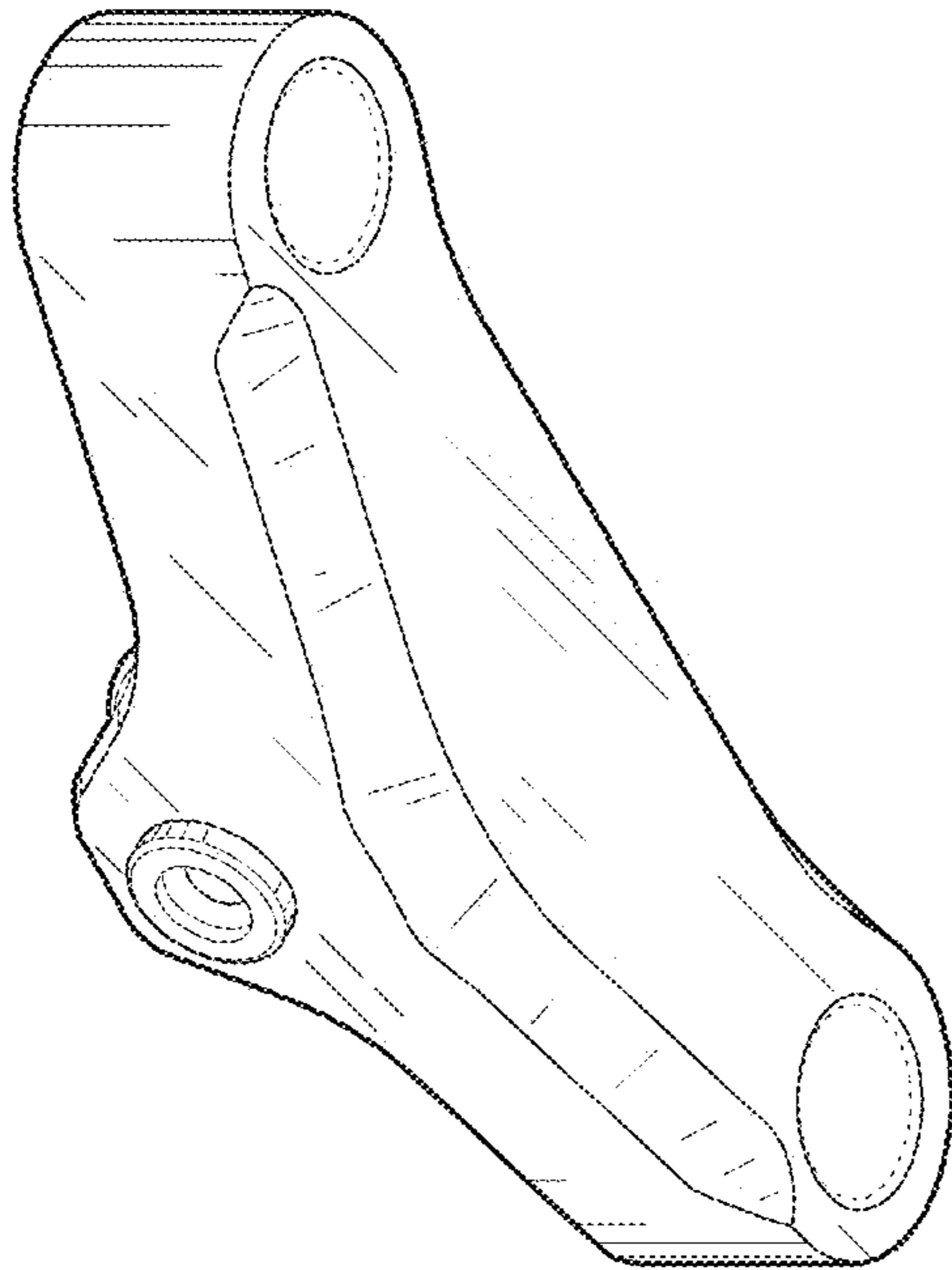


FIG. 9

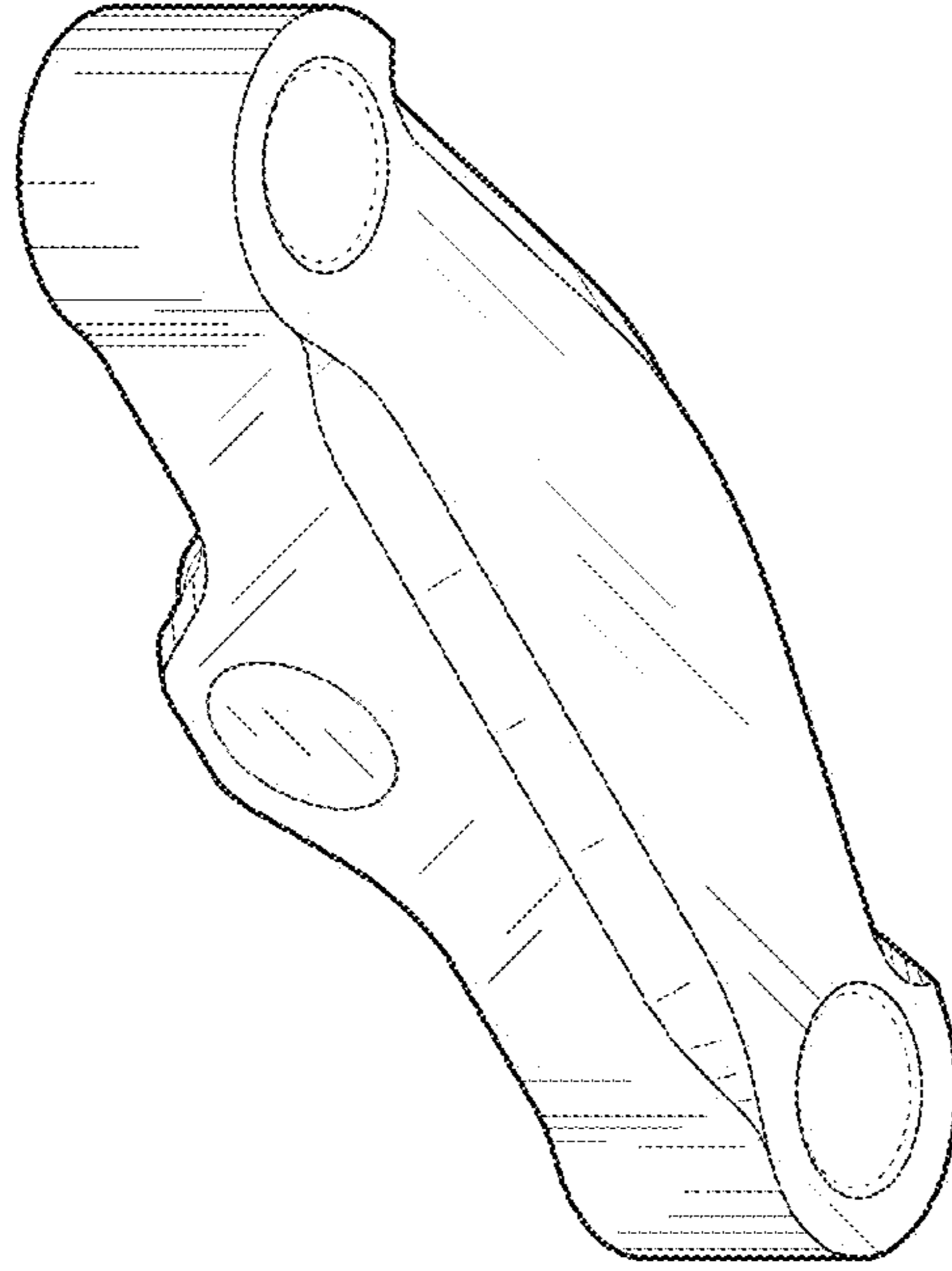


FIG. 10