



US00D747357S

(12) **United States Design Patent**
Barbaric et al.

(10) **Patent No.:** **US D747,357 S**
(45) **Date of Patent:** **** Jan. 12, 2016**

(54) **KARAOKE MACHINE**

(71) Applicant: **The Singing Machine Company Inc.,**
Fort Lauderdale, FL (US)

(72) Inventors: **Mladen Barbaric**, Ottawa (CA);
Minkyu Choi, St-Laurent (CA);
Minsung Bae, Longueuil (CA)

(73) Assignee: **The Singing Machine Company Inc.,**
Fort Lauderdale, FL (US)

(**) Term: **14 Years**

(21) Appl. No.: **29/487,650**

(22) Filed: **Apr. 10, 2014**

(51) **LOC (10) Cl.** **14-03**

(52) **U.S. Cl.**
USPC **D14/497**

(58) **Field of Classification Search**
USPC D14/496, 497, 401, 435, 474, 483, 217,
D14/137, 138, 160, 168, 356, 203.1-203.8,
D14/507; 345/156, 169, 173-179, 905;
715/727-729, 864; 710/1, 5, 8; 713/1,
713/600; 455/1.1, 1.7, 73, 344-347, 93, 95,
455/3.01-3.06, 550.1, 573.1; 370/342-344;
369/1, 2, 6-12; 463/43-47; 273/148 B
CPC G09B 15/00; G10M 1/36
See application file for complete search history.

(56) **References Cited**

U.S. PATENT DOCUMENTS

5,328,570 A * 7/1994 Wolf et al. 162/336
5,951,302 A * 9/1999 Decker, Jr. 434/308
6,025,553 A * 2/2000 Lee 84/610
6,267,600 B1 * 7/2001 Song 434/307 A

D468,297 S * 1/2003 Ikeda D14/497
D469,752 S * 2/2003 Cuvelier D14/497
6,520,776 B1 * 2/2003 Furukawa 434/307 A
D471,180 S * 3/2003 Satoh D14/497
6,851,952 B2 * 2/2005 Ueshima et al. 434/307 A
D524,325 S * 7/2006 Lau et al. D14/497
D614,670 S * 4/2010 Strauser D14/497
D641,376 S * 7/2011 Strauser D14/497

* cited by examiner

Primary Examiner — Prabhakar Deshmukh

(74) *Attorney, Agent, or Firm* — Hartman & Citrin LLC

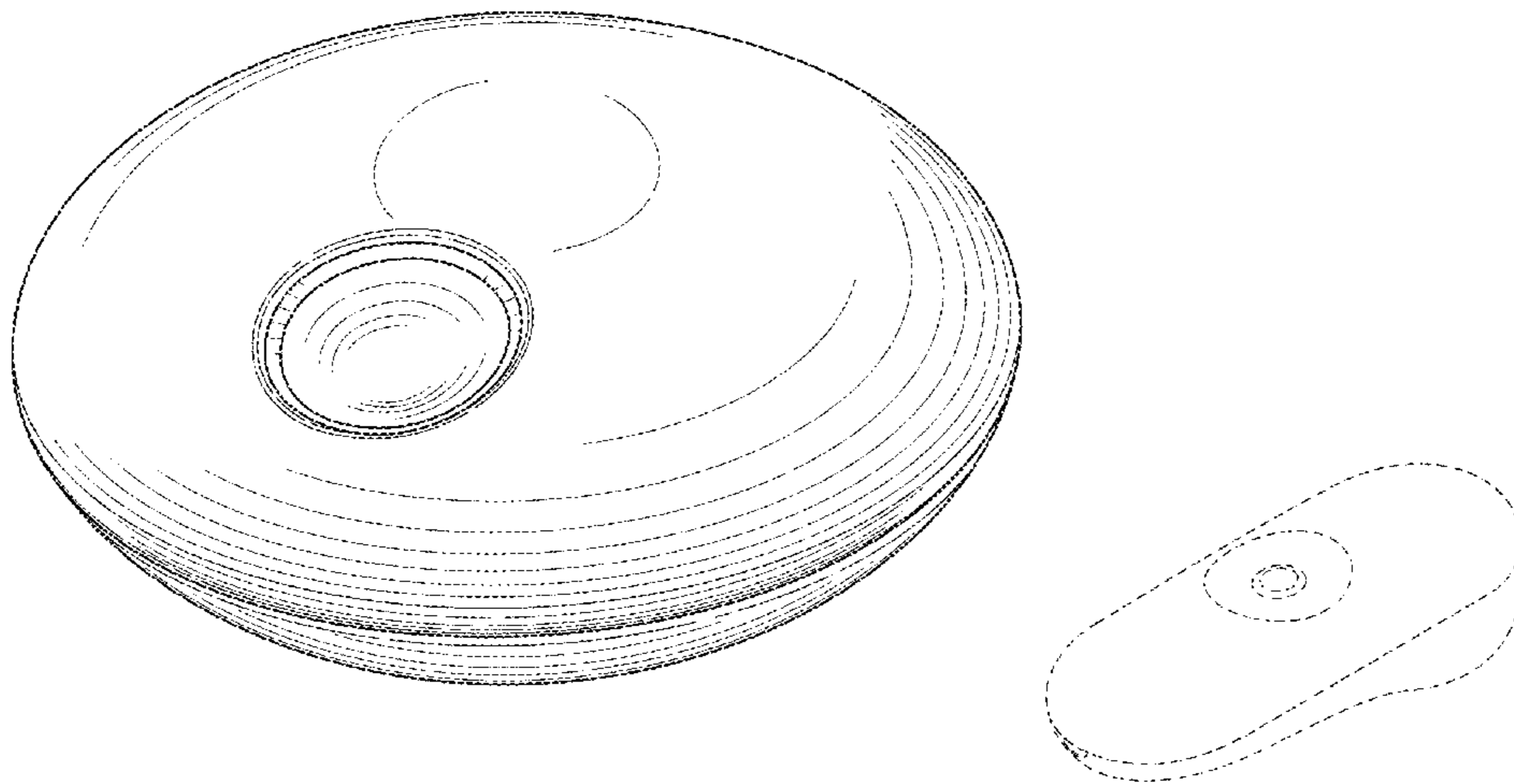
(57) **CLAIM**

The ornamental design for a karaoke machine, as shown and described.

DESCRIPTION

FIG. 1 is a perspective view of a karaoke machine showing our new design, shown with remote control/microphone environment;
FIG. 2 is a front elevational view thereof;
FIG. 3 is a rear elevational view thereof;
FIG. 4 is a left side elevational view thereof;
FIG. 5 is a right side elevational view thereof;
FIG. 6 is a top plan view thereof;
FIG. 7 is a bottom plan view thereof;
FIG. 8 is a perspective view thereof, without the environment;
FIG. 9 is a front elevational view of FIG. 8;
FIG. 10 is a rear elevational view of FIG. 8;
FIG. 11 is a left side elevational view of FIG. 8;
FIG. 12 is a right side elevational view of FIG. 8;
FIG. 13 is a top plan view of FIG. 8; and,
FIG. 14 is a bottom plan view of FIG. 8.
The environment of a remote control/microphone in FIGS. 1-7 is for illustrative purposes only and forms no part of the claimed design.

1 Claim, 8 Drawing Sheets



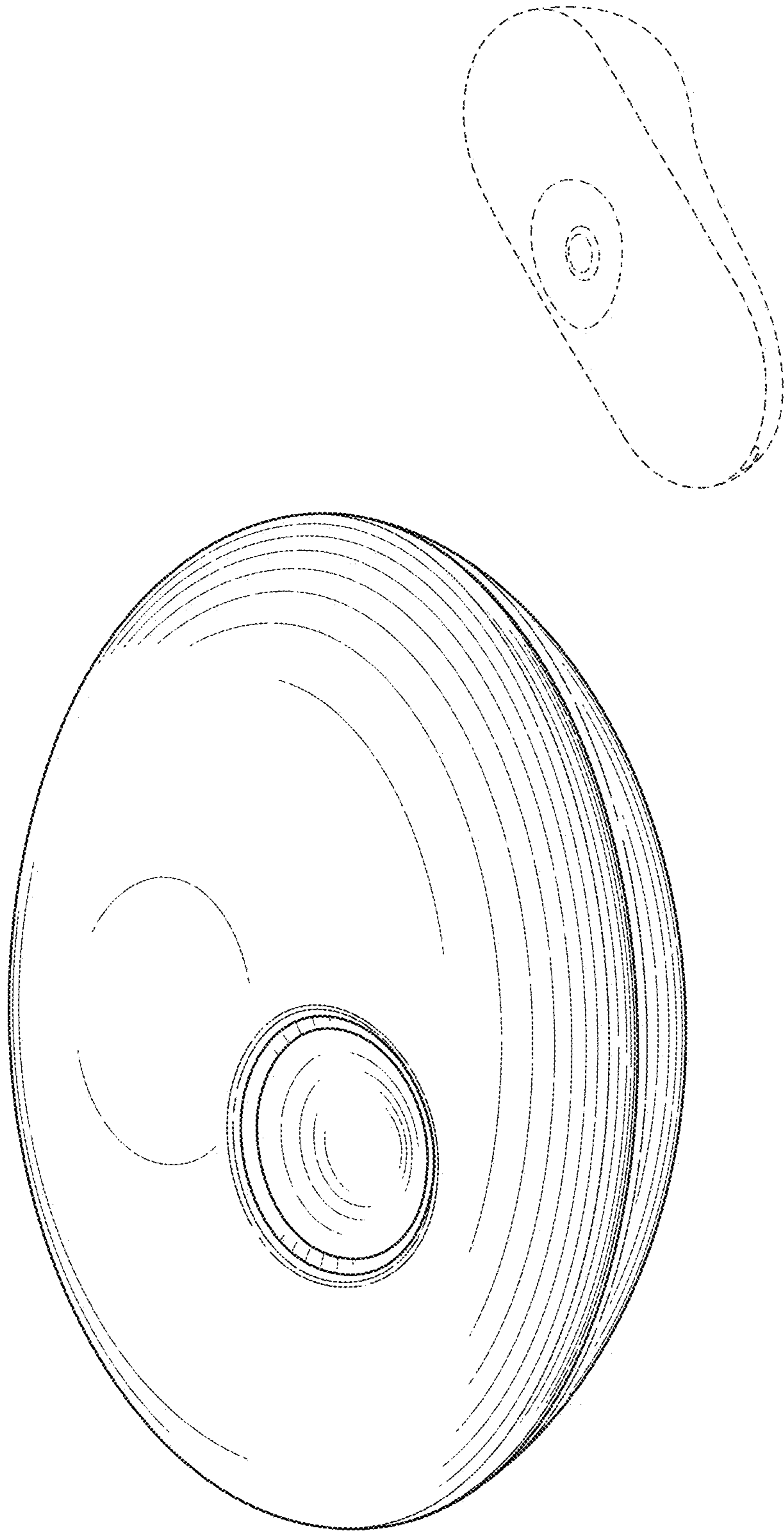


FIG. 1

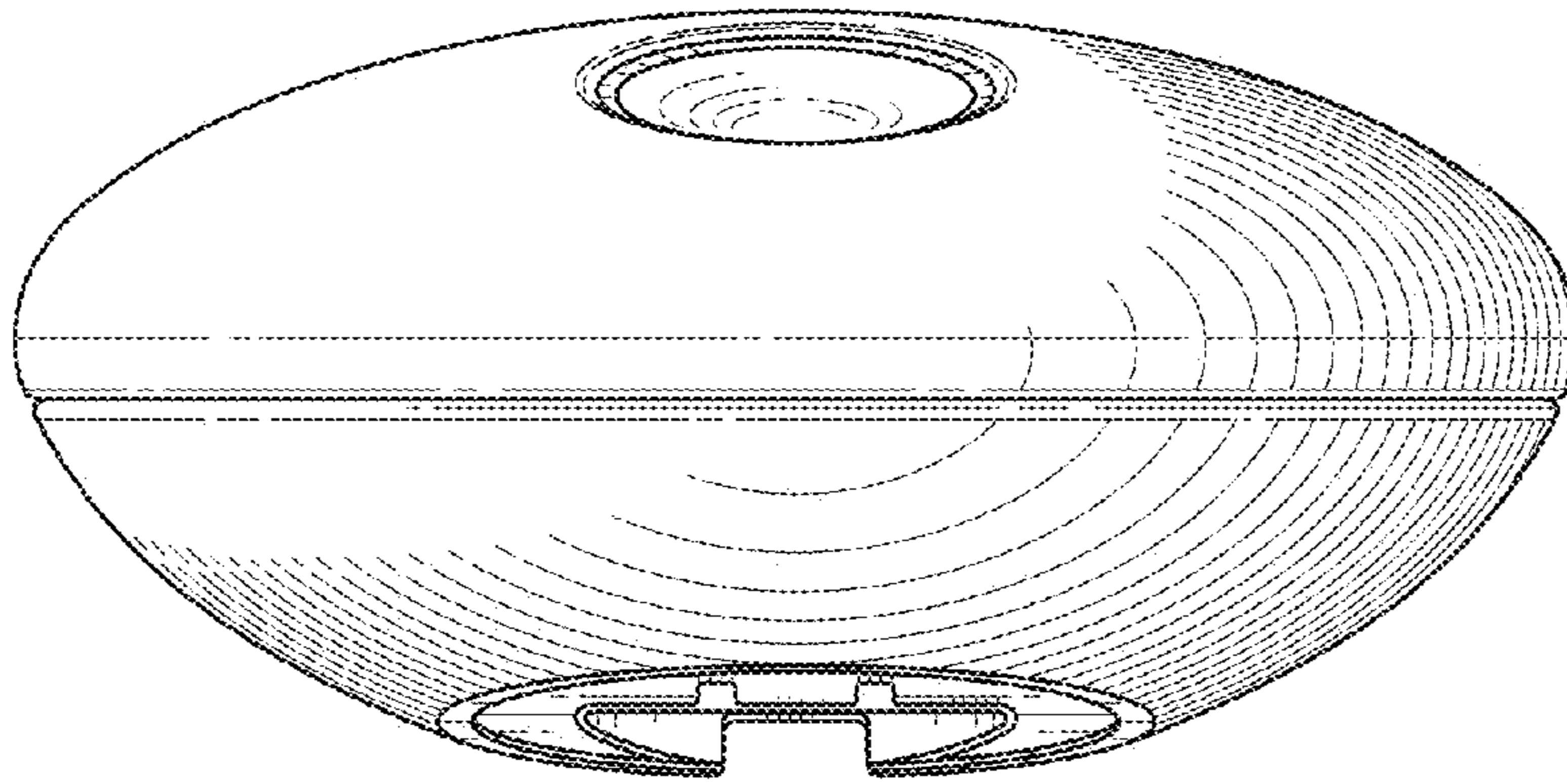


FIG. 2

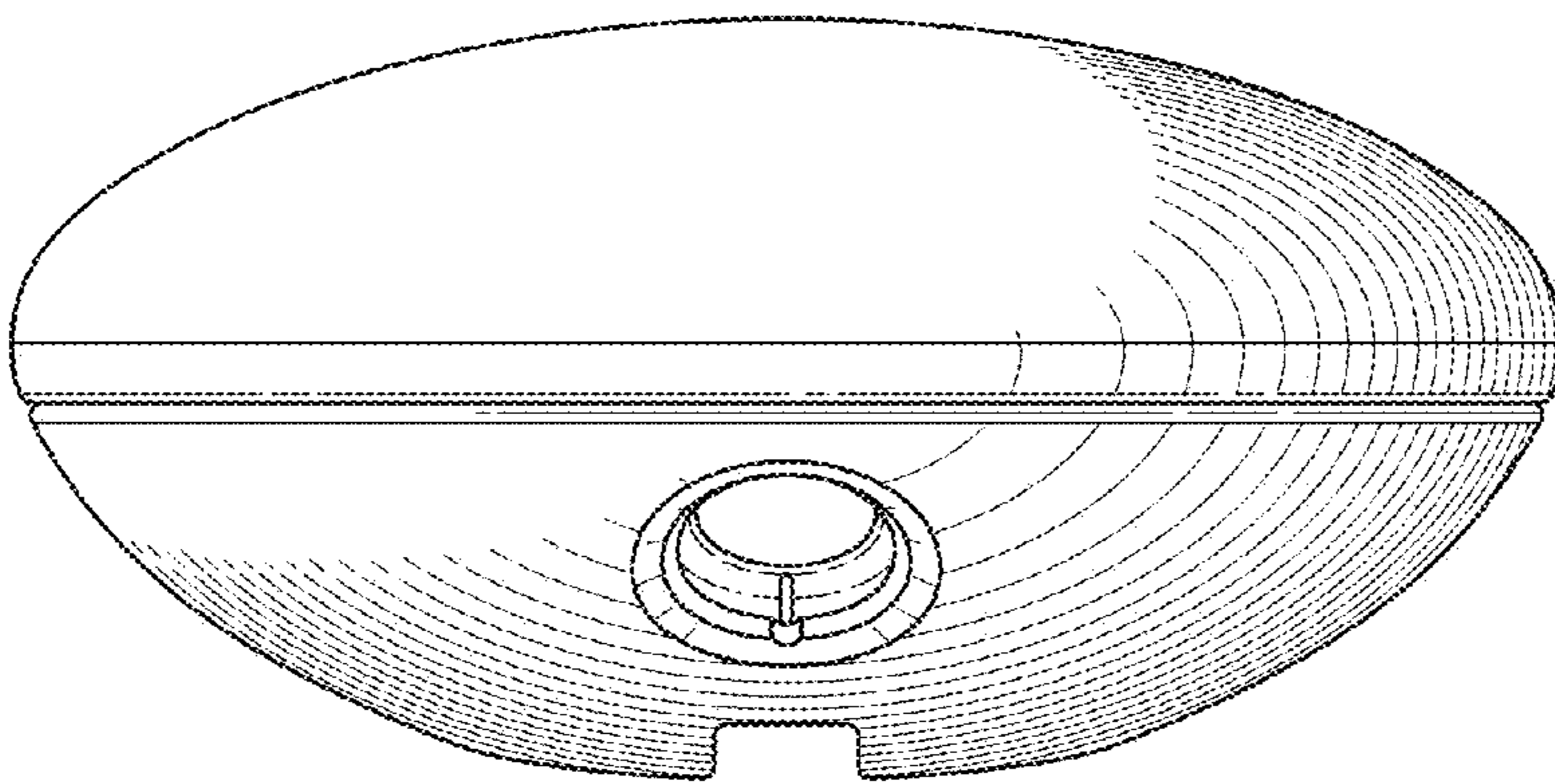
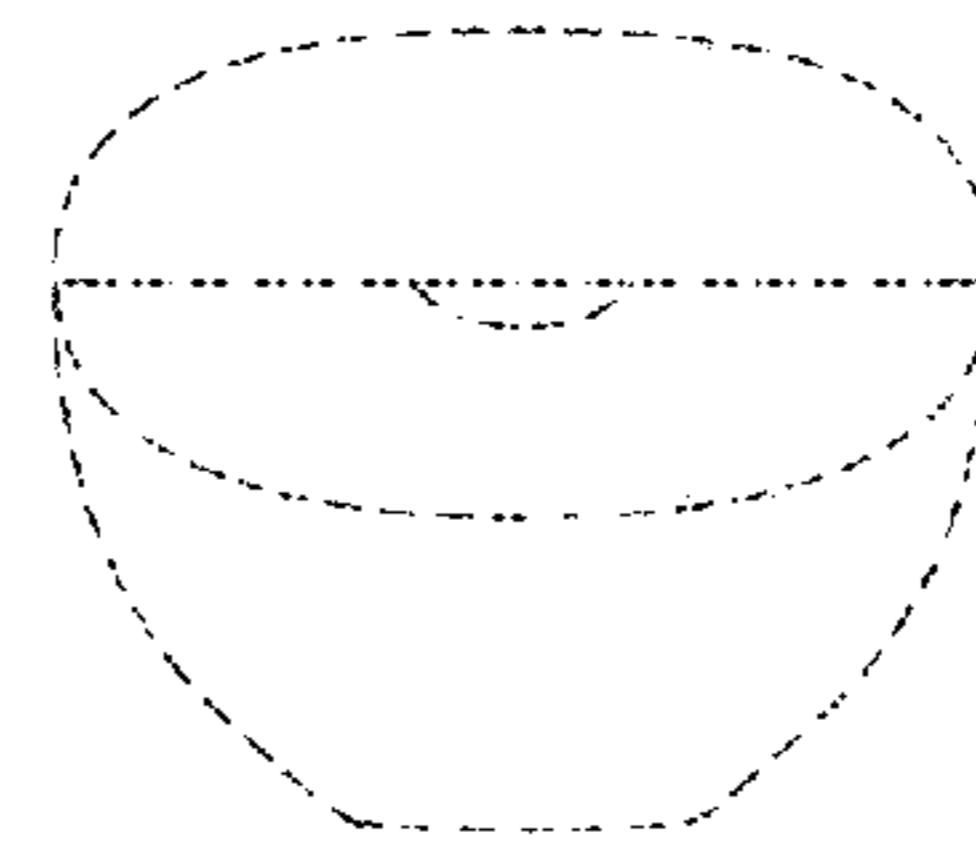
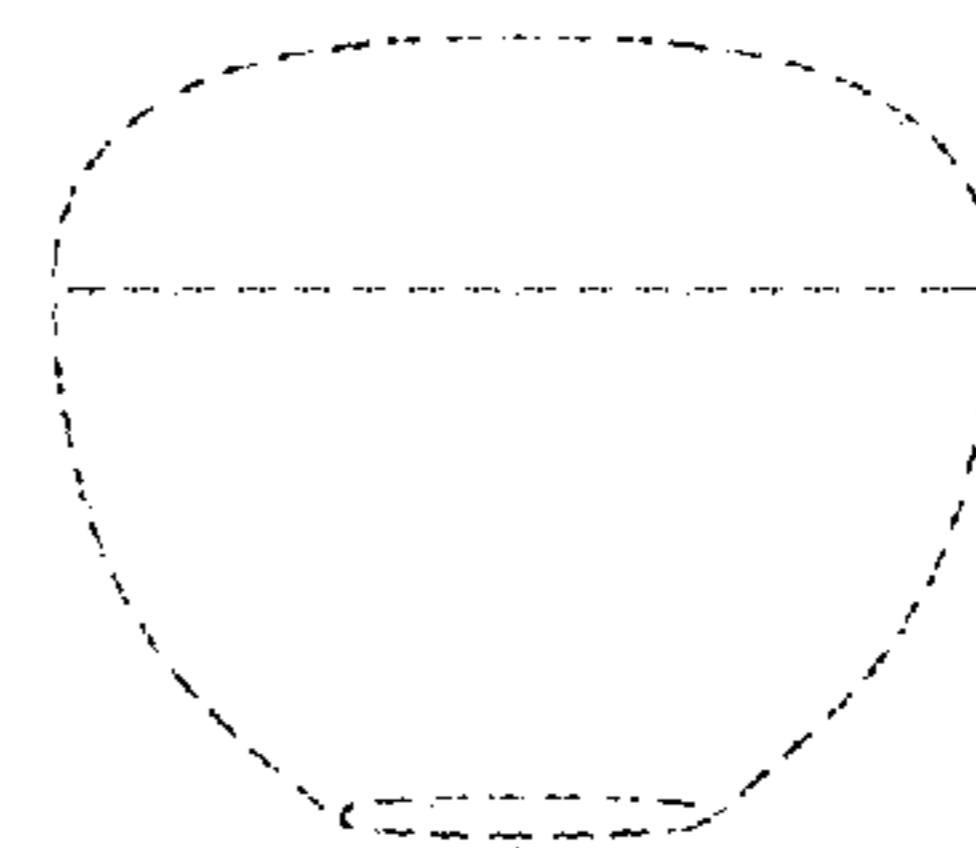


FIG. 3



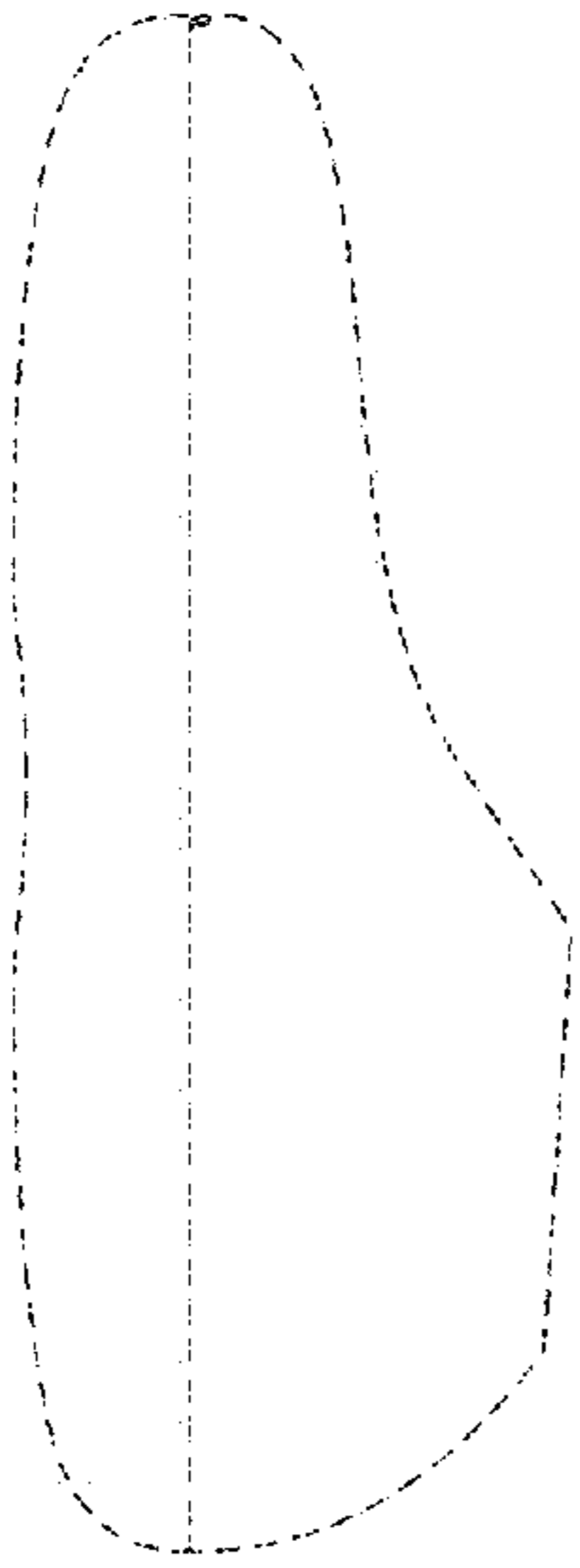


FIG. 4

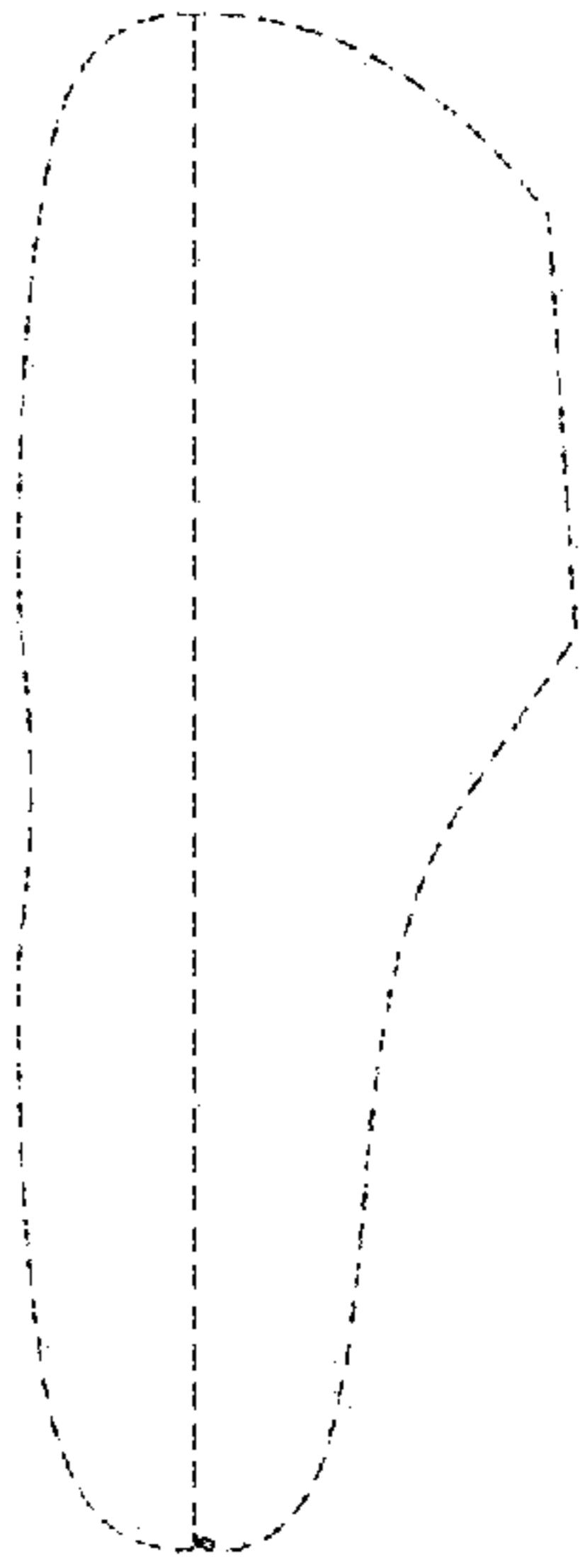
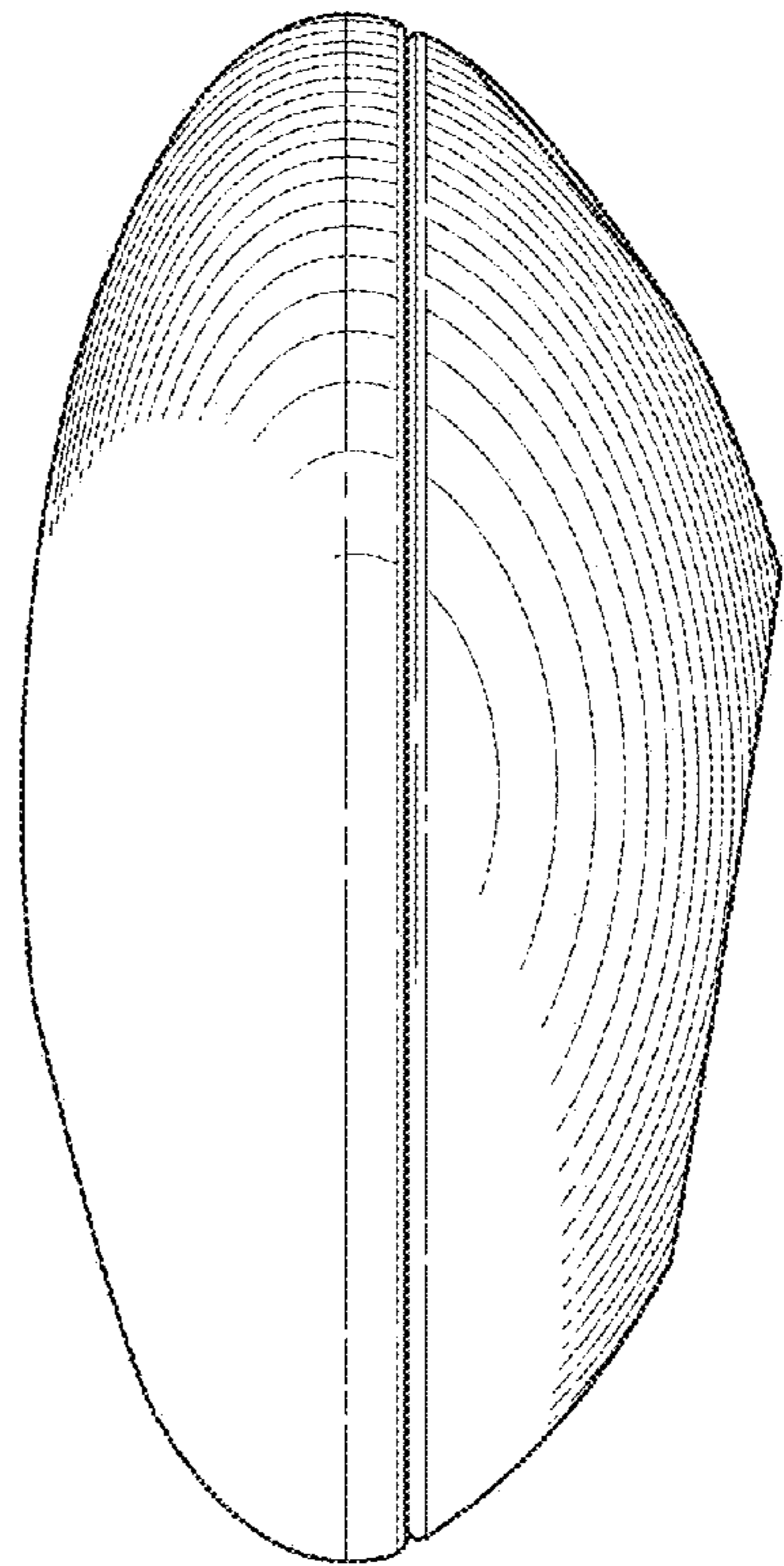
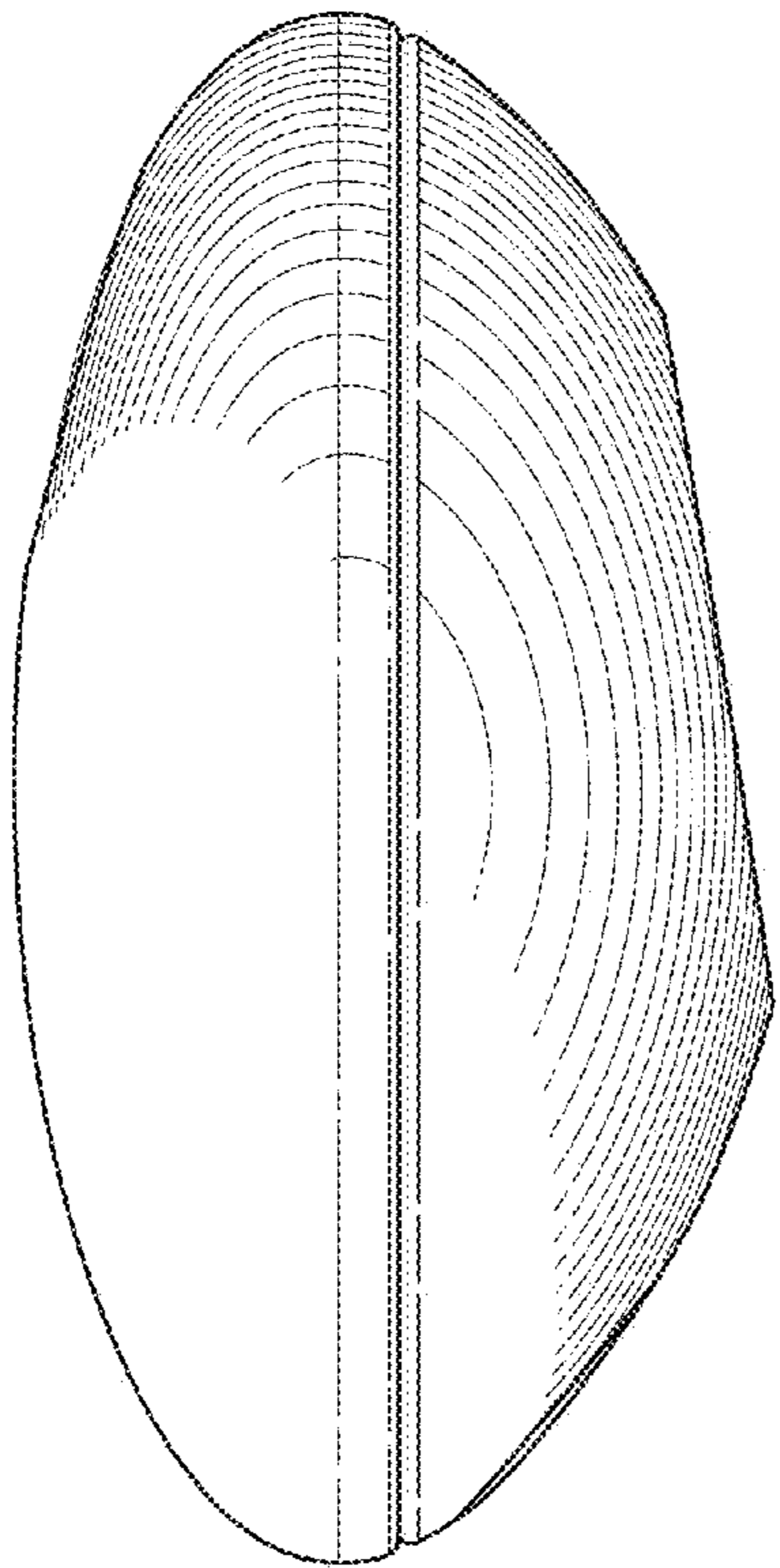
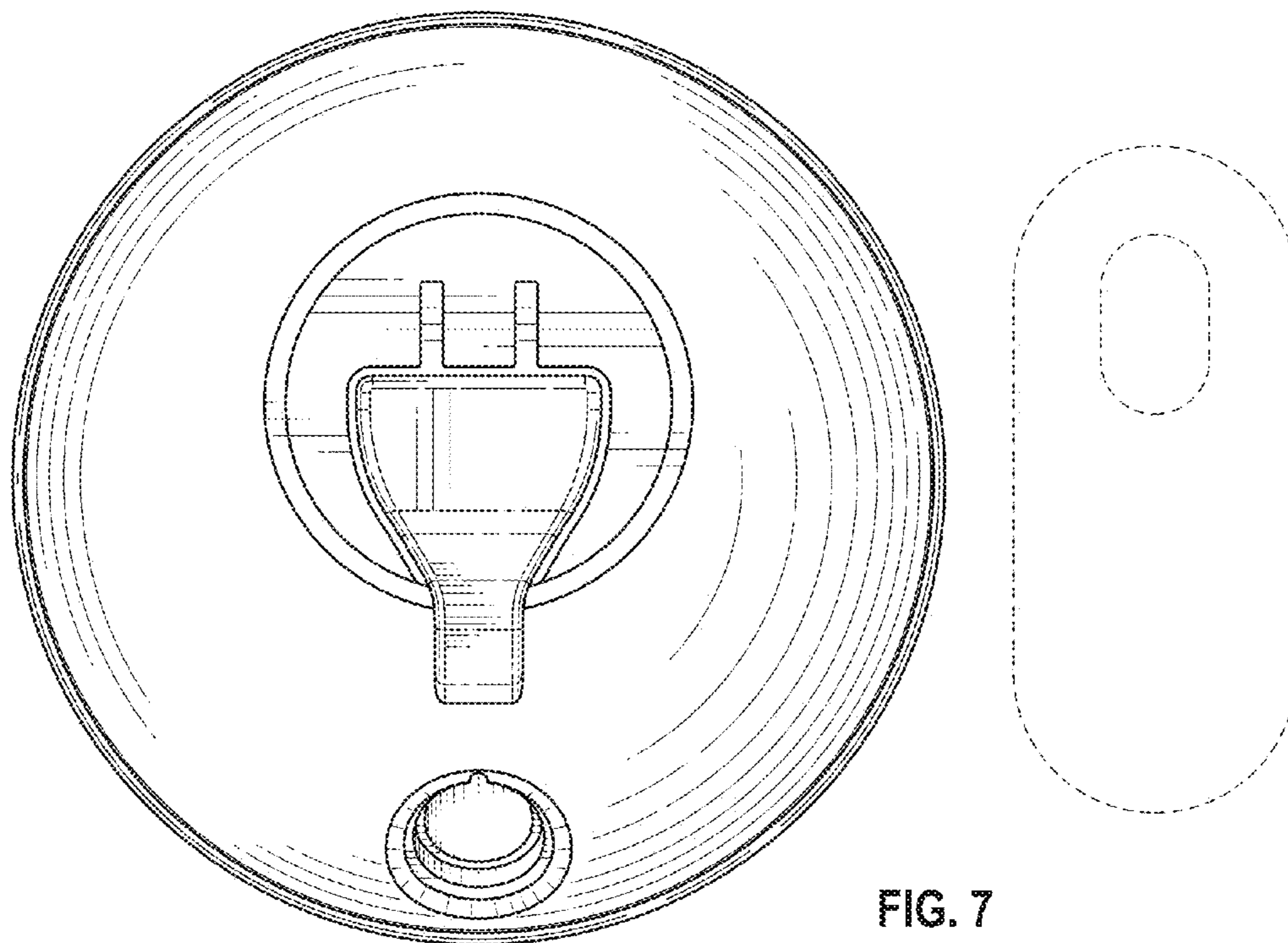
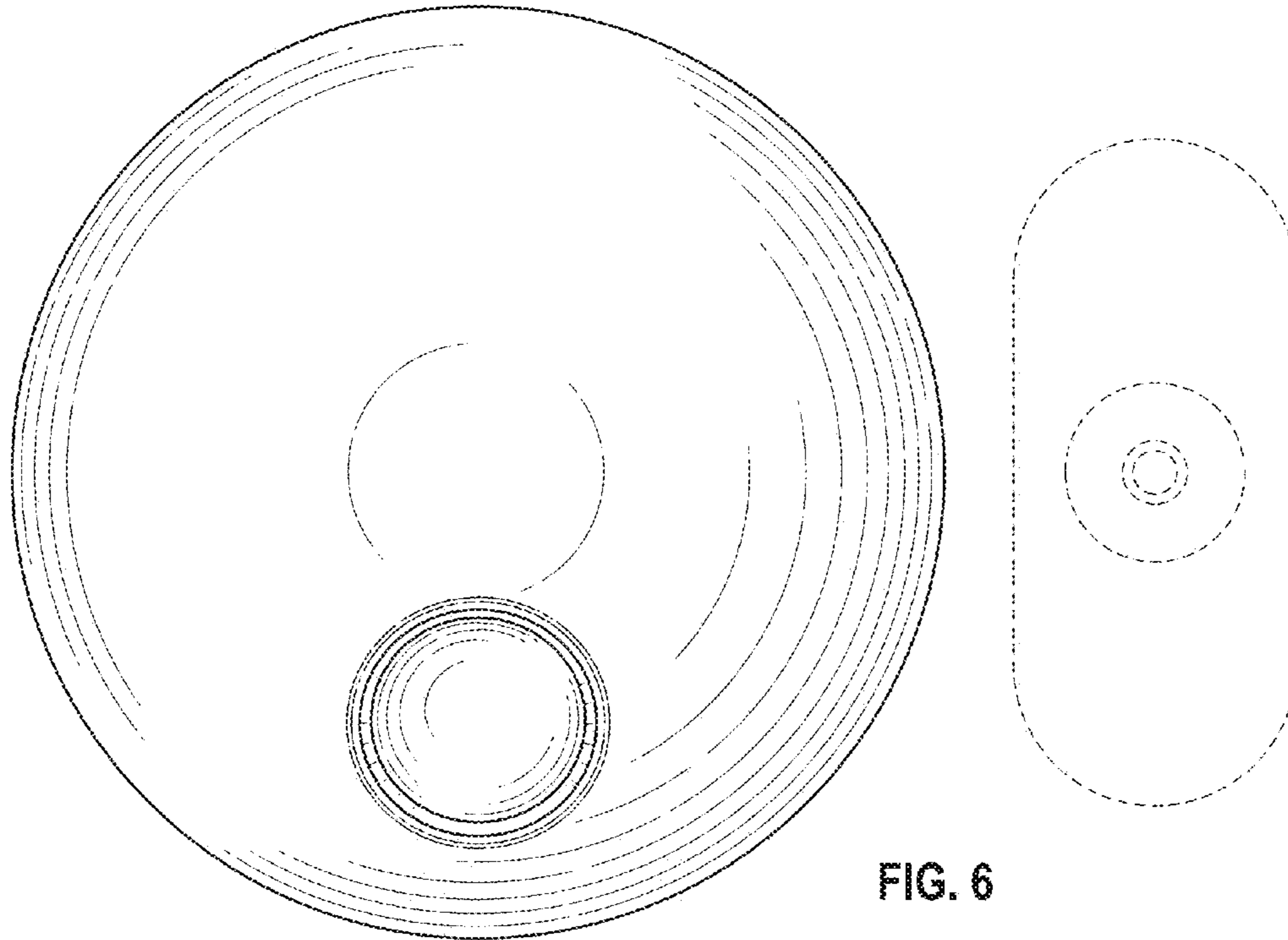


FIG. 5





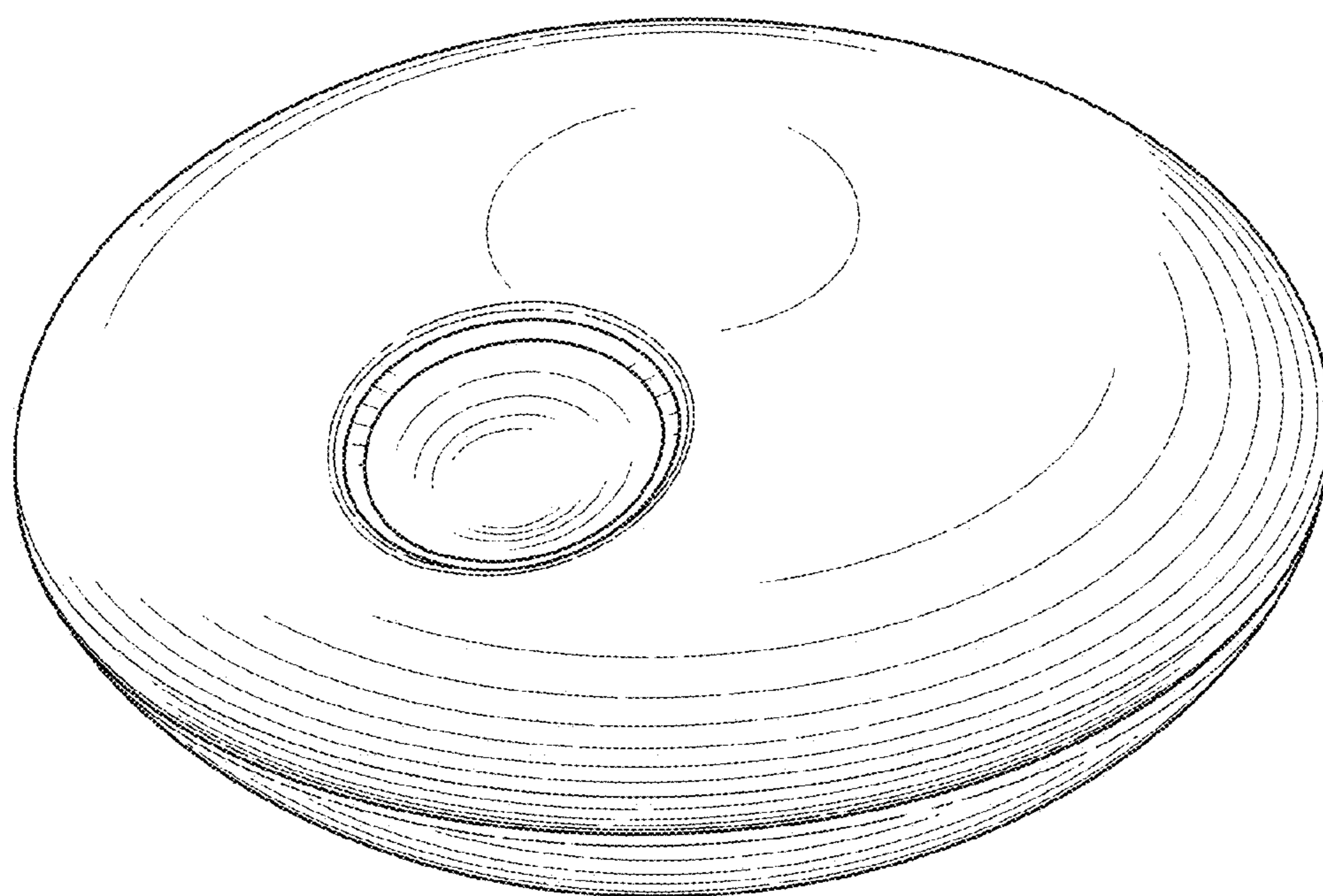


FIG. 8

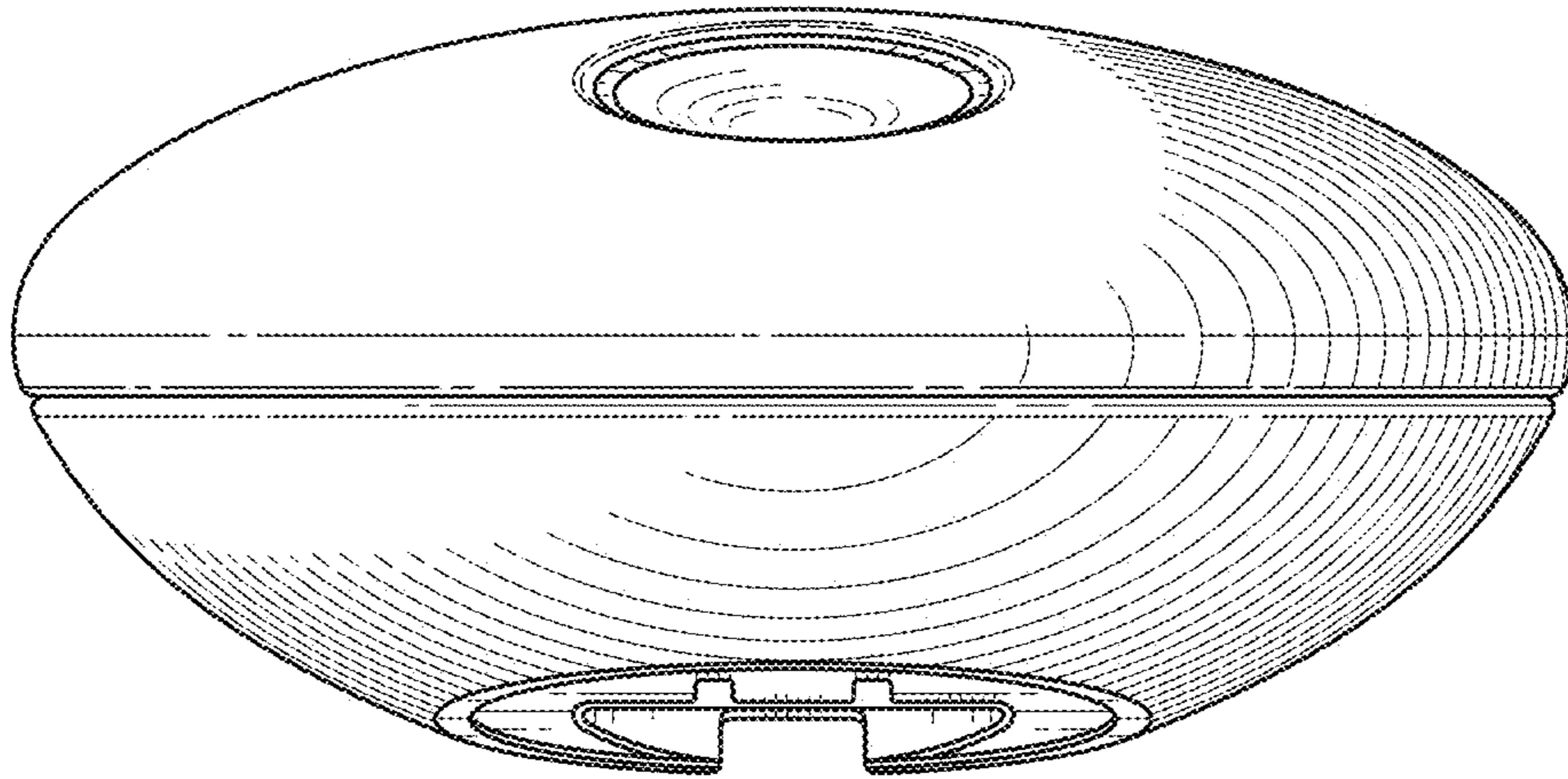


FIG. 9

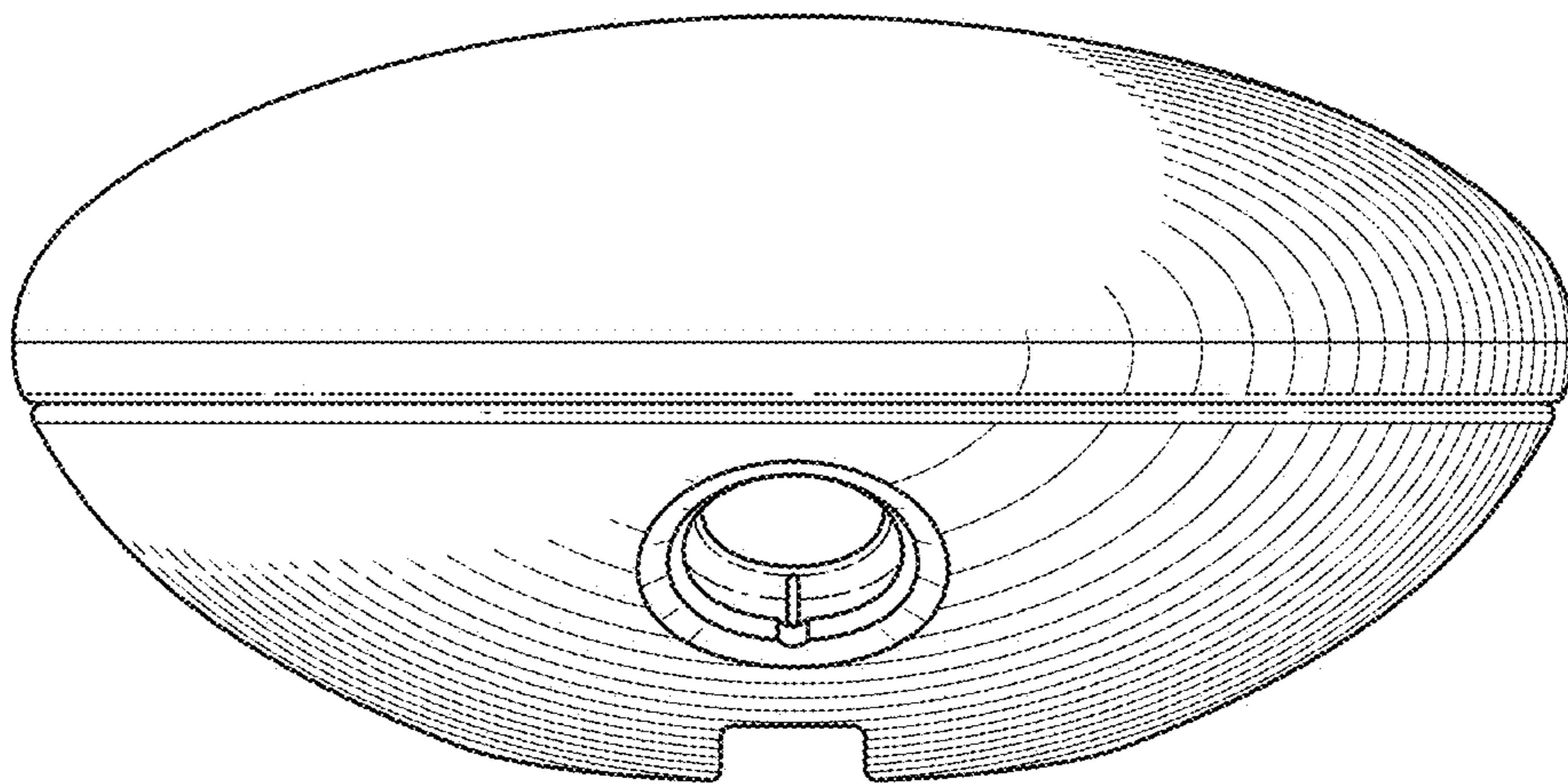


FIG. 10

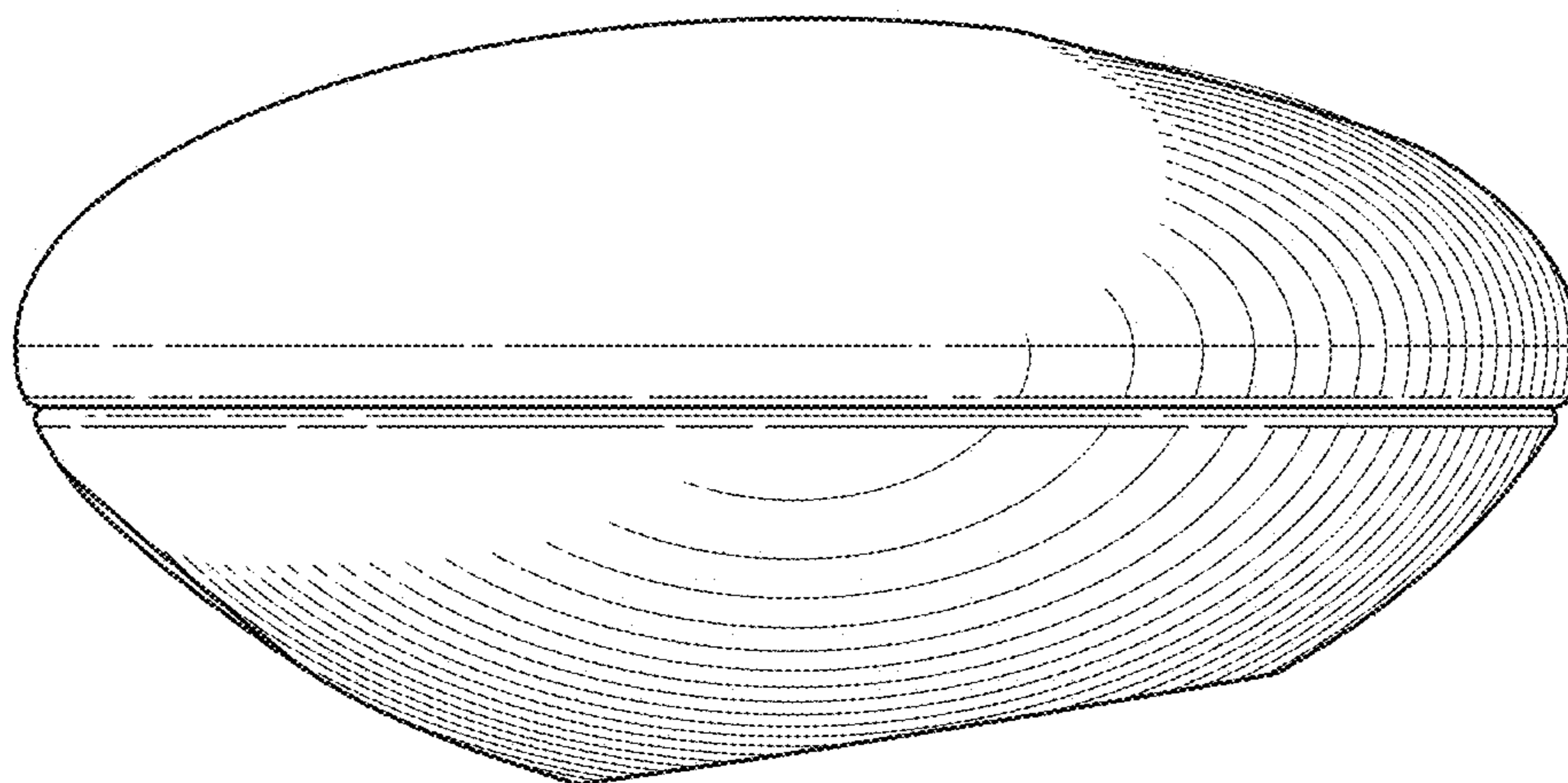


FIG. 11

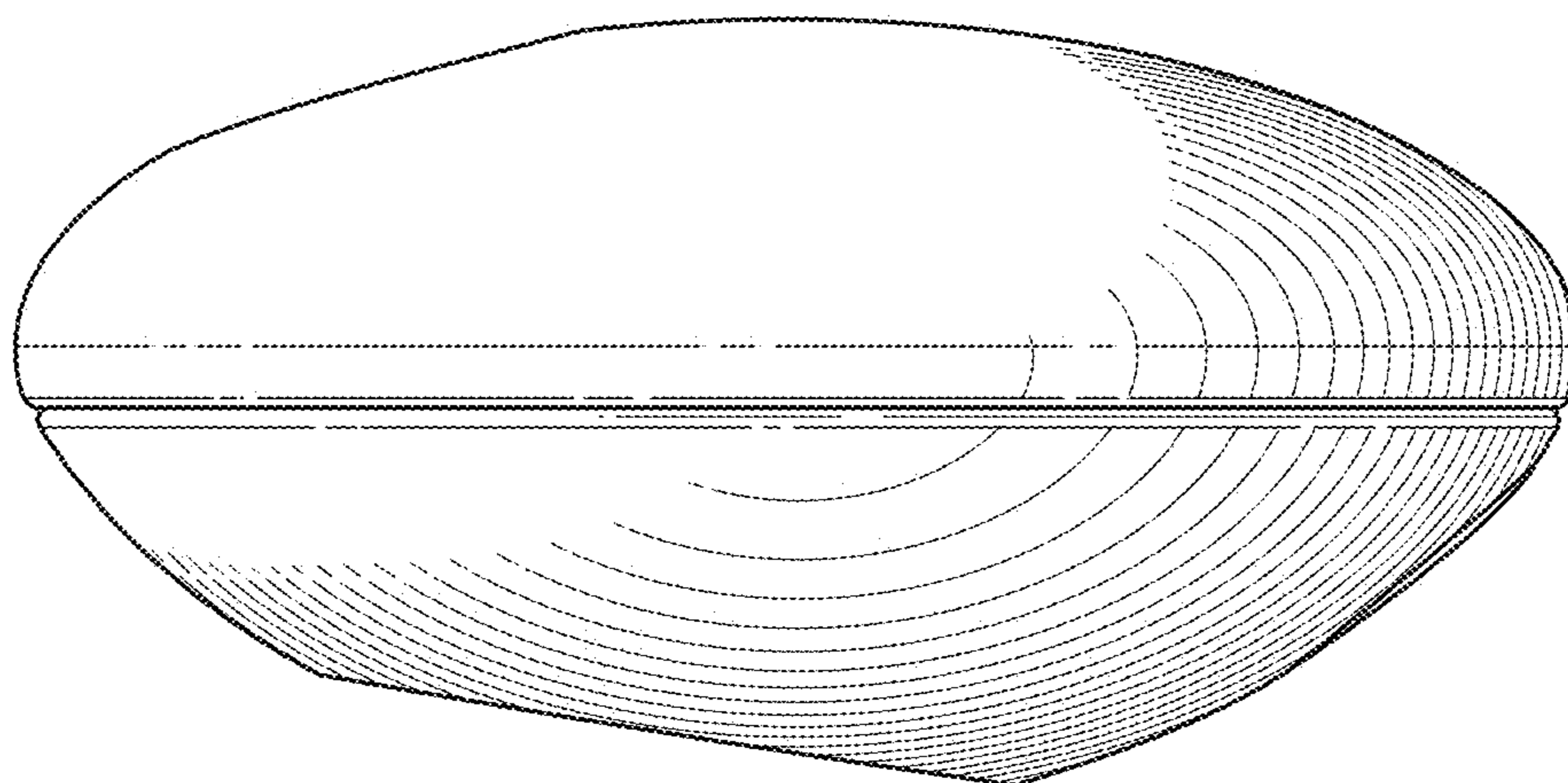


FIG. 12

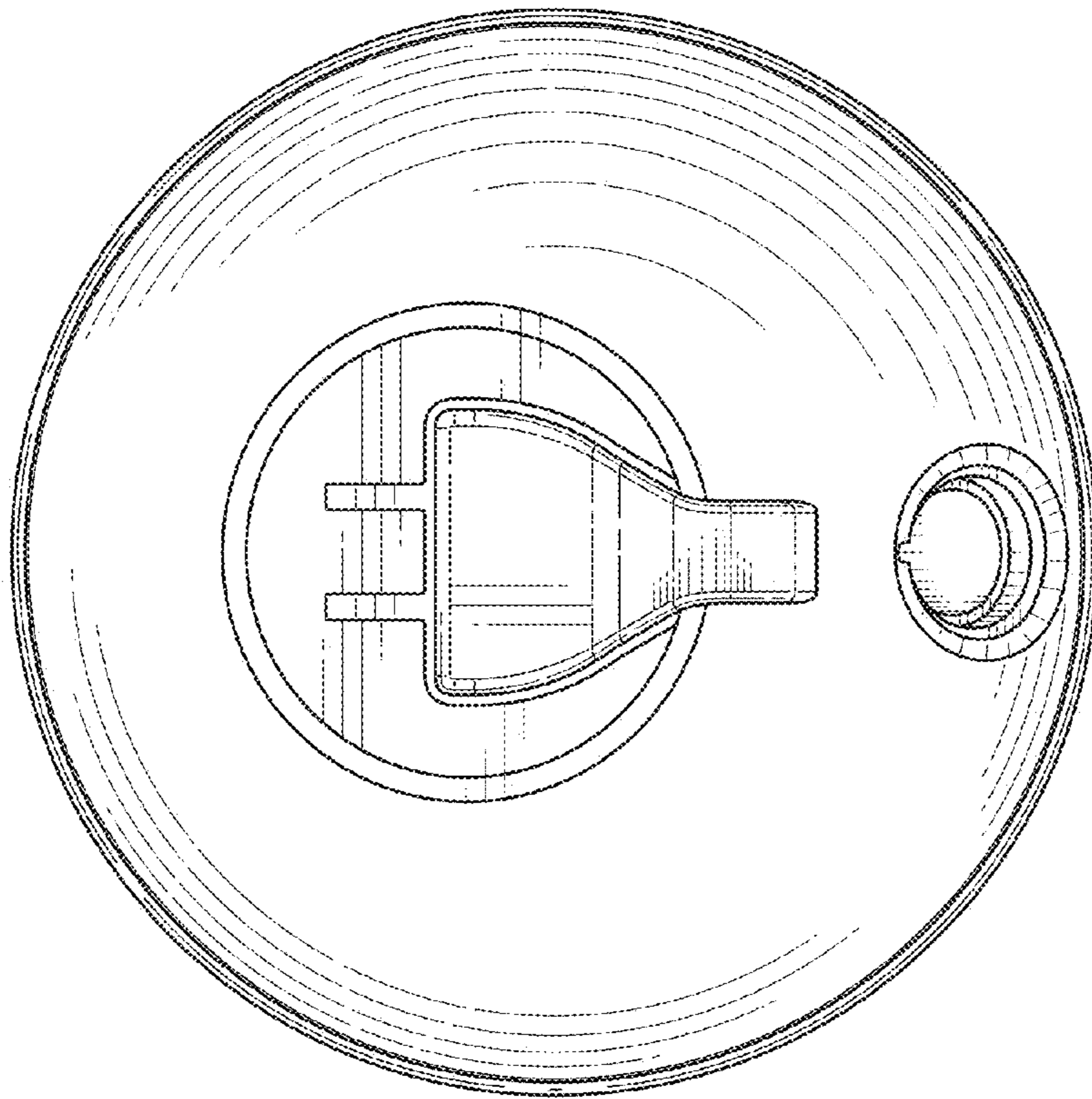


FIG. 13

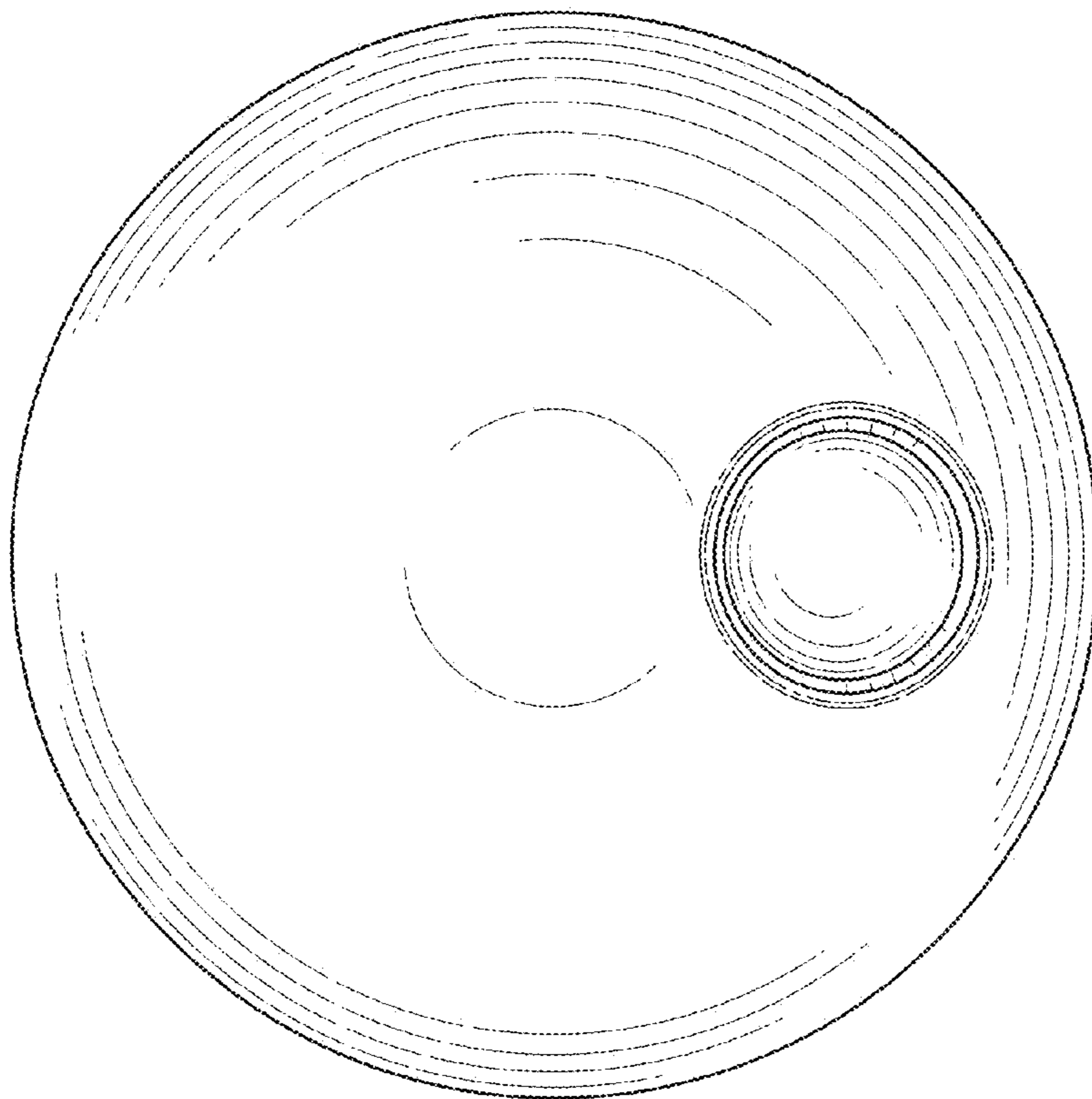


FIG. 14