



US00D747356S

(12) **United States Design Patent**  
**Jou et al.**

(10) **Patent No.:** **US D747,356 S**  
(45) **Date of Patent:** **\*\* Jan. 12, 2016**

(54) **ELECTRONIC HOUSING**

*Primary Examiner* — Prabhakar Deshmukh  
(74) *Attorney, Agent, or Firm* — Banner & Witcoff, Ltd.

(71) Applicant: **Comcast Cable Communications, LLC**, Philadelphia, PA (US)

(72) Inventors: **Michael Jou**, Philadelphia, PA (US);  
**Neil Epstein**, Havertown, PA (US); **Julie Biron Maletz**, Philadelphia, PA (US);  
**Thomas Loretan**, Philadelphia, PA (US)

(57) **CLAIM**  
The ornamental design for an electronic housing, as shown and described.

(73) Assignee: **Comcast Cable Communications, LLC**, Philadelphia, PA (US)

**DESCRIPTION**

(\*\*) Term: **14 Years**

FIG. 1 is a front perspective view of an electronic housing showing our new design;  
FIG. 2 is a front view thereof;  
FIG. 3 is a rear view thereof;  
FIG. 4 is a right side view thereof;  
FIG. 5 is a left side view thereof;  
FIG. 6 is a top view thereof;  
FIG. 7 is bottom view thereof;  
FIG. 8 is a front perspective view of an electronic housing of FIGS. 1-7 in a detached state having a top portion and a bottom portion;  
FIG. 9 is a front perspective view of the bottom portion of the electronic housing unit;  
FIG. 10 is a front view thereof;  
FIG. 11 is a rear view thereof;  
FIG. 12 is a right side view thereof;  
FIG. 13 is a left side view thereof;  
FIG. 14 is a top view thereof;  
FIG. 15 is a bottom view thereof;  
FIG. 16 is a front perspective view of the top portion of the electronic housing unit;  
FIG. 17 is a front view thereof;  
FIG. 18 is a rear view thereof;  
FIG. 19 is a right side view thereof;  
FIG. 20 is a left side view thereof;  
FIG. 21 is a top view thereof; and,  
FIG. 22 is a bottom view thereof.

(21) Appl. No.: **29/510,140**

(22) Filed: **Nov. 25, 2014**

(51) **LOC (10) Cl.** ..... **14-03**

(52) **U.S. Cl.**  
USPC ..... **D14/496; D14/203.1**

(58) **Field of Classification Search**  
USPC ..... D14/496, 401, 435, 474, 483, 217, 137, D14/138, 160, 168, 356, 203.1-203.8, 507; 345/156, 169, 173-179, 905; 715/727-729, 864; 710/1, 5, 8; 713/1, 713/600; 455/1.1, 1.7, 73, 344-347, 93, 95, 455/3.01-3.06, 550.1, 573.1; 370/342-344; 369/1, 2, 6-12; 463/43-47; 273/148 B  
CPC ..... A63F 9/24; A63F 13/00; G06F 9/24; G06F 12/00; G06F 19/00; H05K 5/00  
See application file for complete search history.

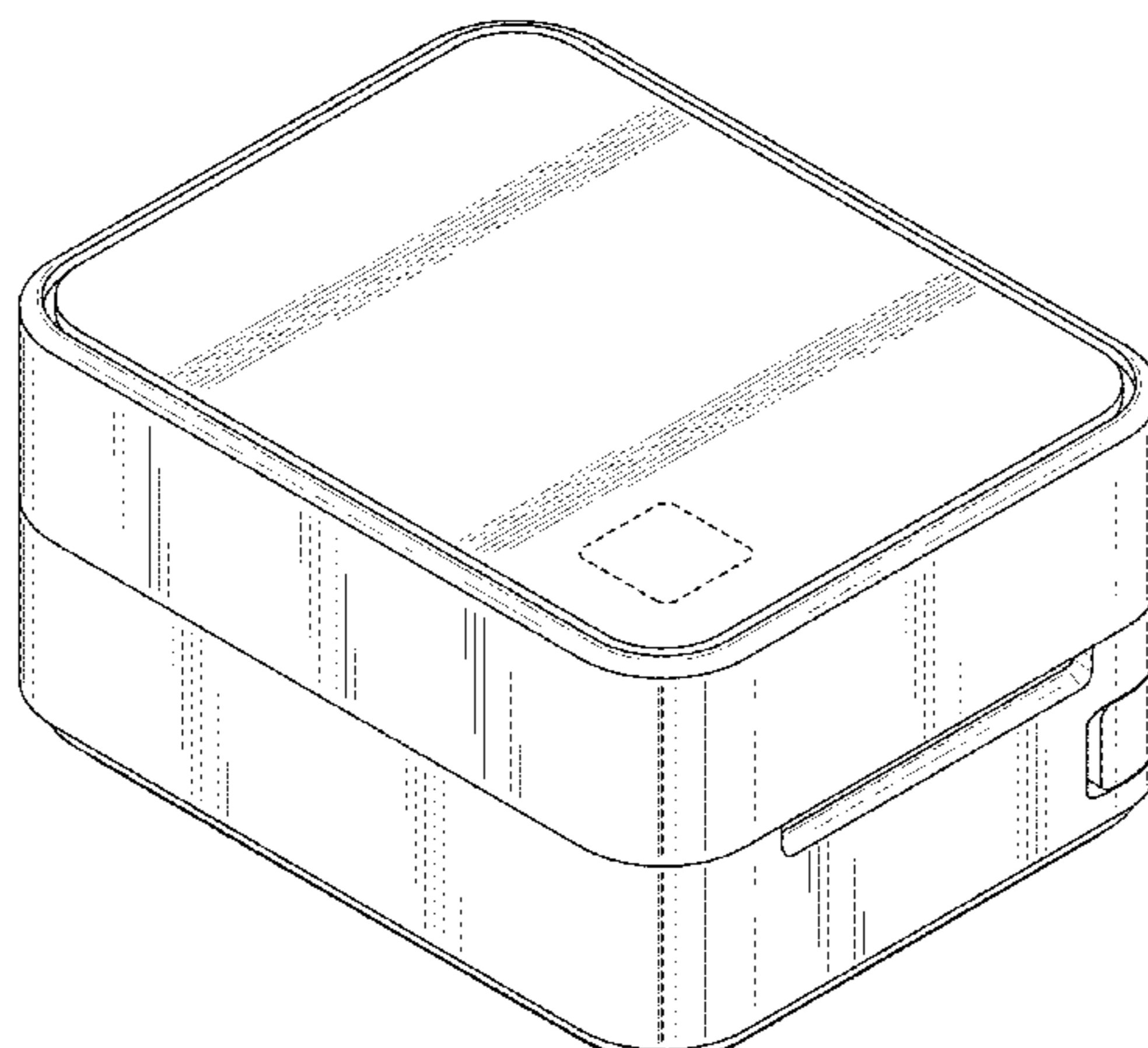
(56) **References Cited**

**U.S. PATENT DOCUMENTS**

5,914,707	A *	6/1999	Kono	.....	G06K 19/08 345/173
6,565,444	B2 *	5/2003	Nagata	.....	G06F 1/20 361/695
6,908,387	B2 *	6/2005	Hedrick	.....	G07F 17/0014 463/31
6,955,606	B2 *	10/2005	Taho	.....	A63F 13/10 463/1

(Continued)

**1 Claim, 16 Drawing Sheets**



(56)

**References Cited**

U.S. PATENT DOCUMENTS

7,090,582 B2 \* 8/2006 Danieli ..... A63F 13/12  
463/35  
7,139,809 B2 \* 11/2006 Husain ..... H04L 41/0803  
709/205

D551,652 S \* 9/2007 Nakamura ..... D14/168  
7,269,006 B2 \* 9/2007 Miyamoto ..... G11B 33/142  
312/236  
D563,994 S \* 3/2008 Liu ..... D14/356  
D577,743 S \* 9/2008 Liu ..... D14/496  
D726,766 S \* 4/2015 Goodner ..... D14/188  
D727,360 S \* 4/2015 Peng ..... D14/203.1

\* cited by examiner

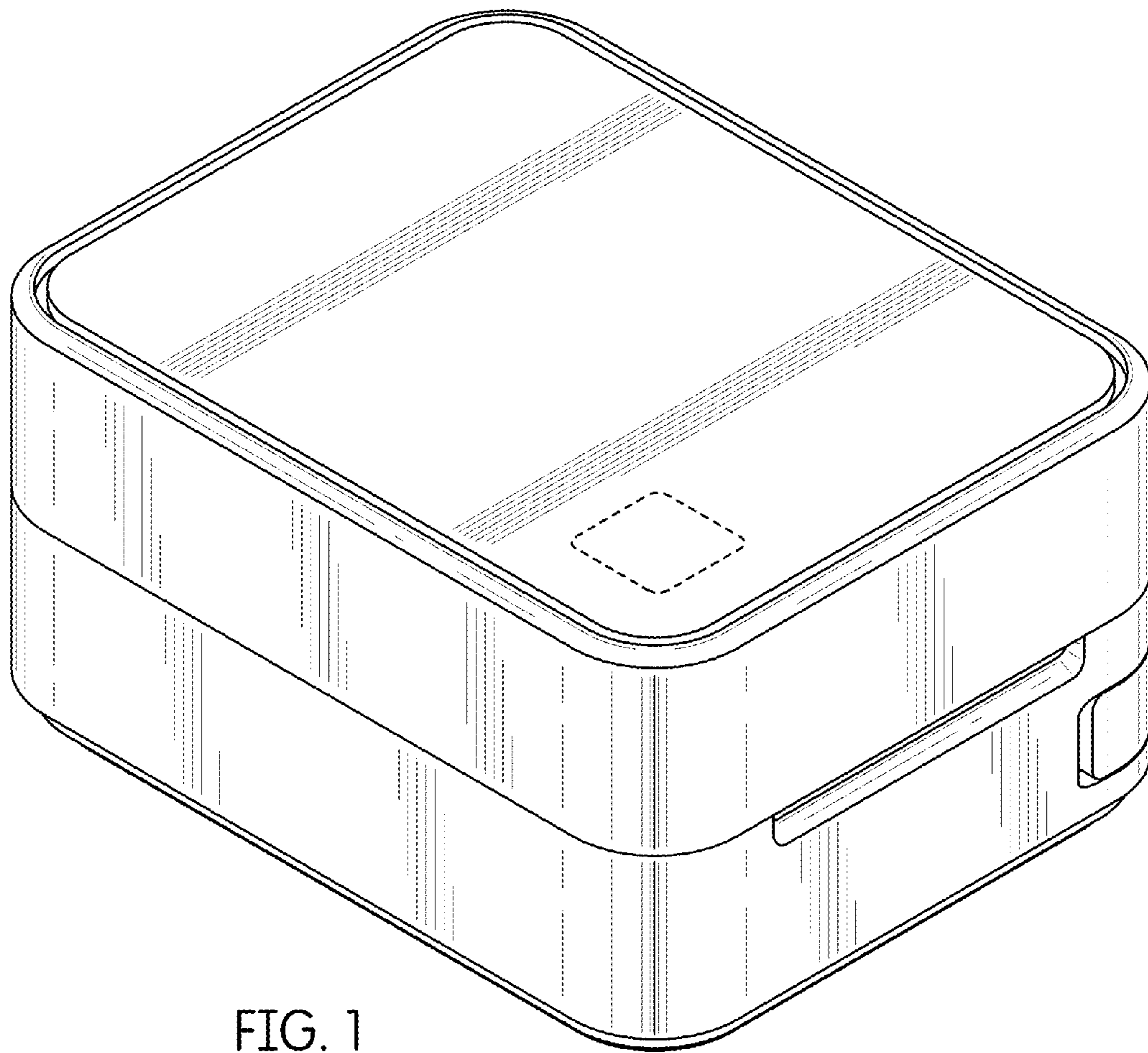


FIG. 1

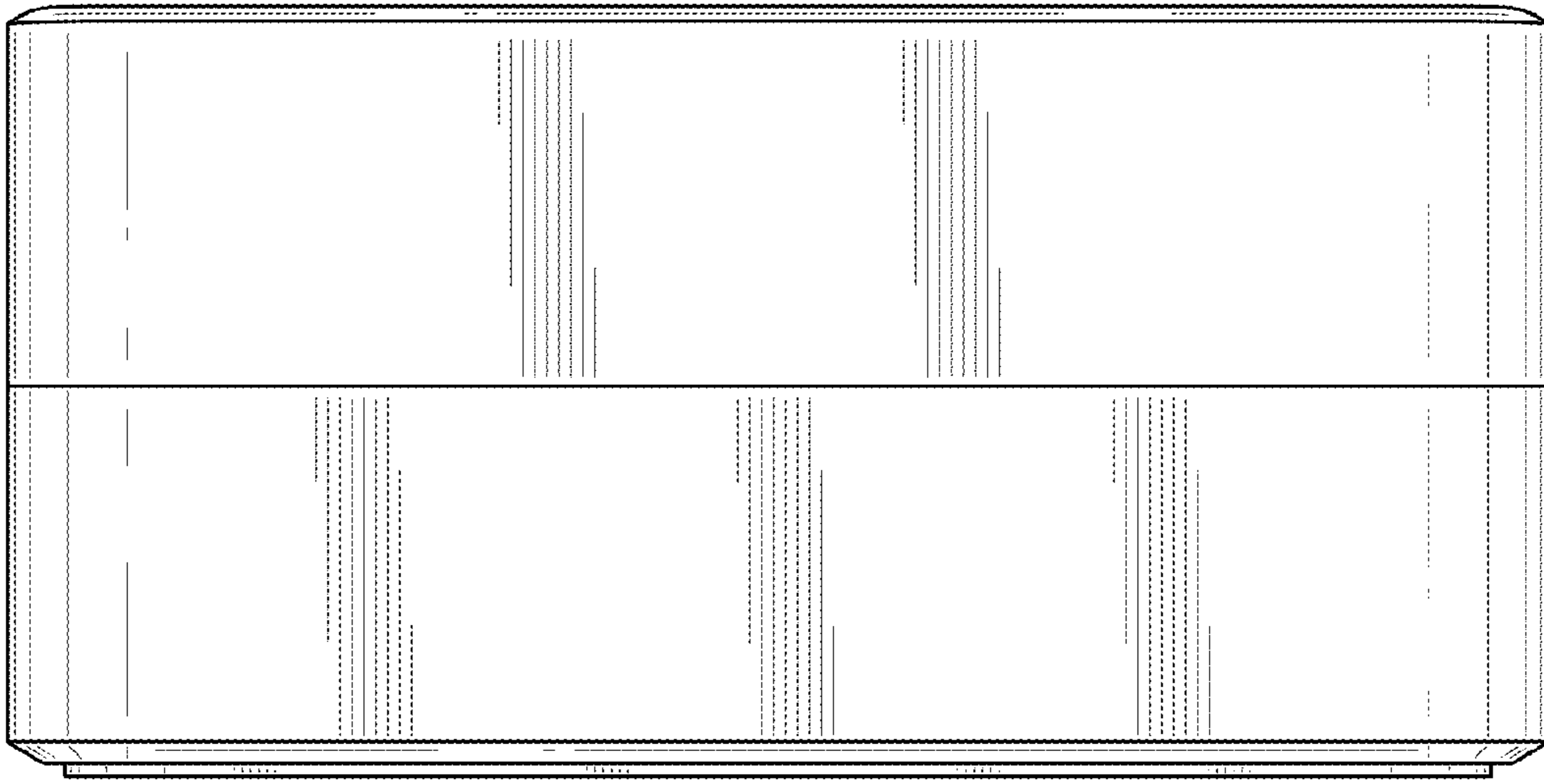


FIG. 2

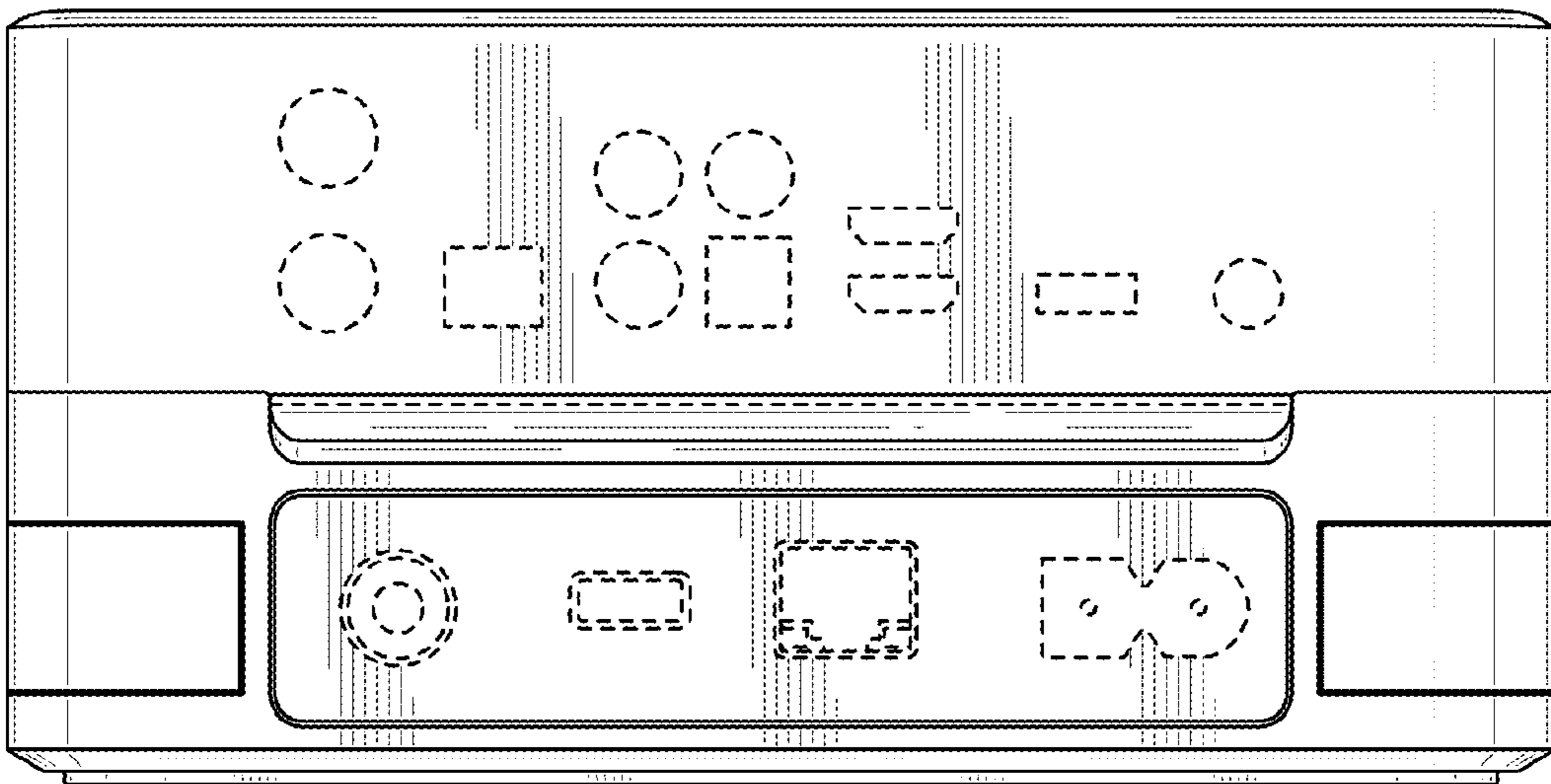


FIG. 3

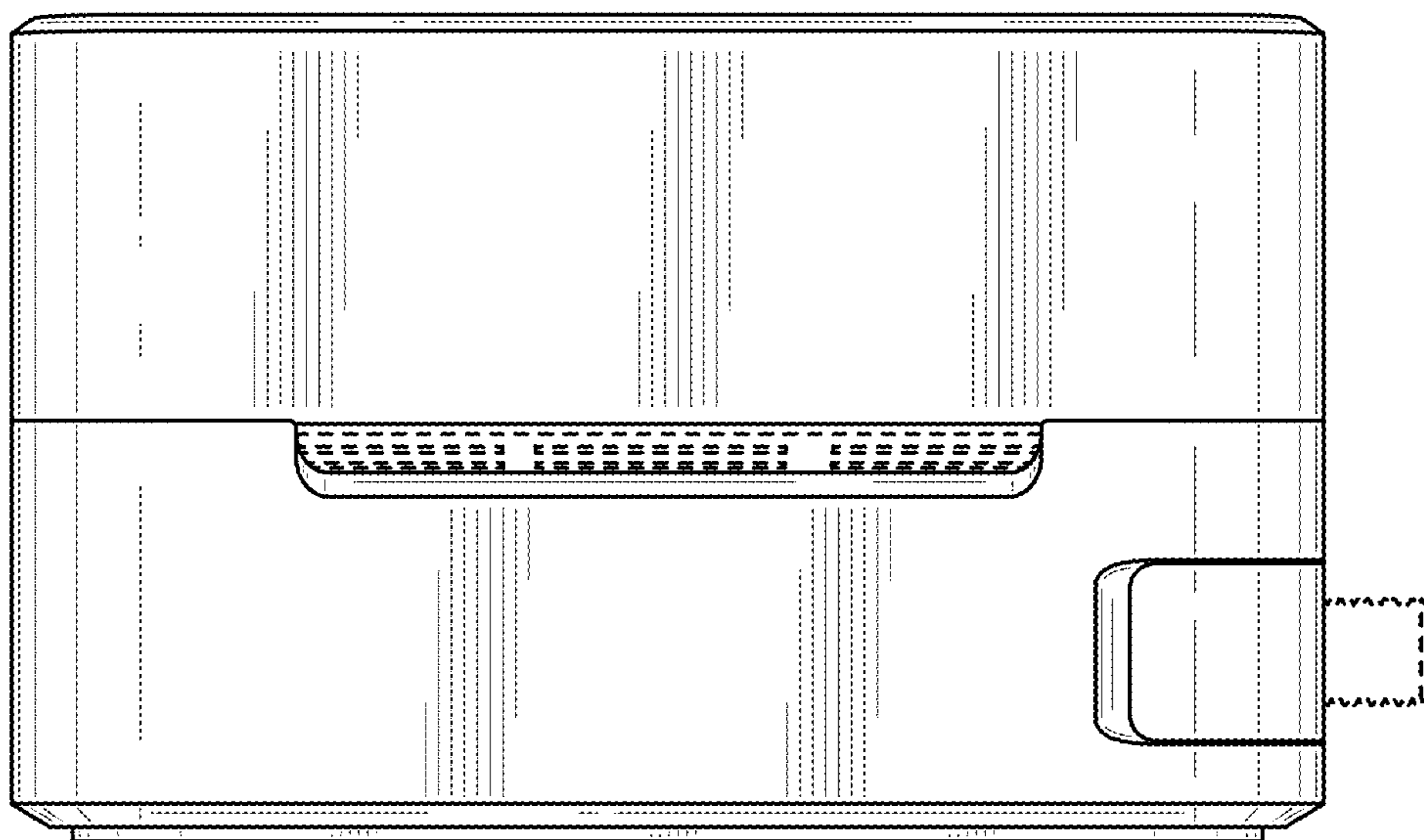


FIG. 4

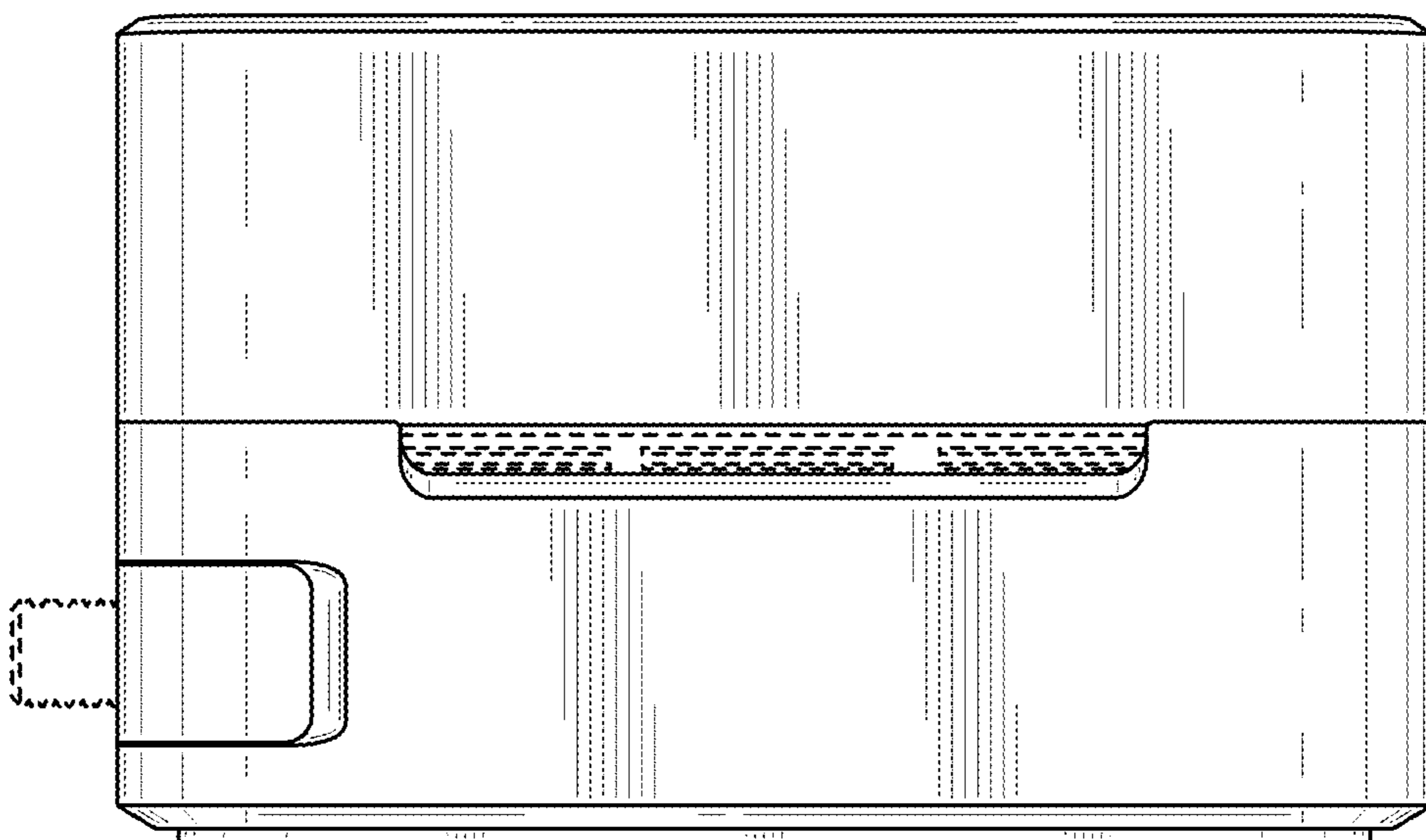


FIG. 5

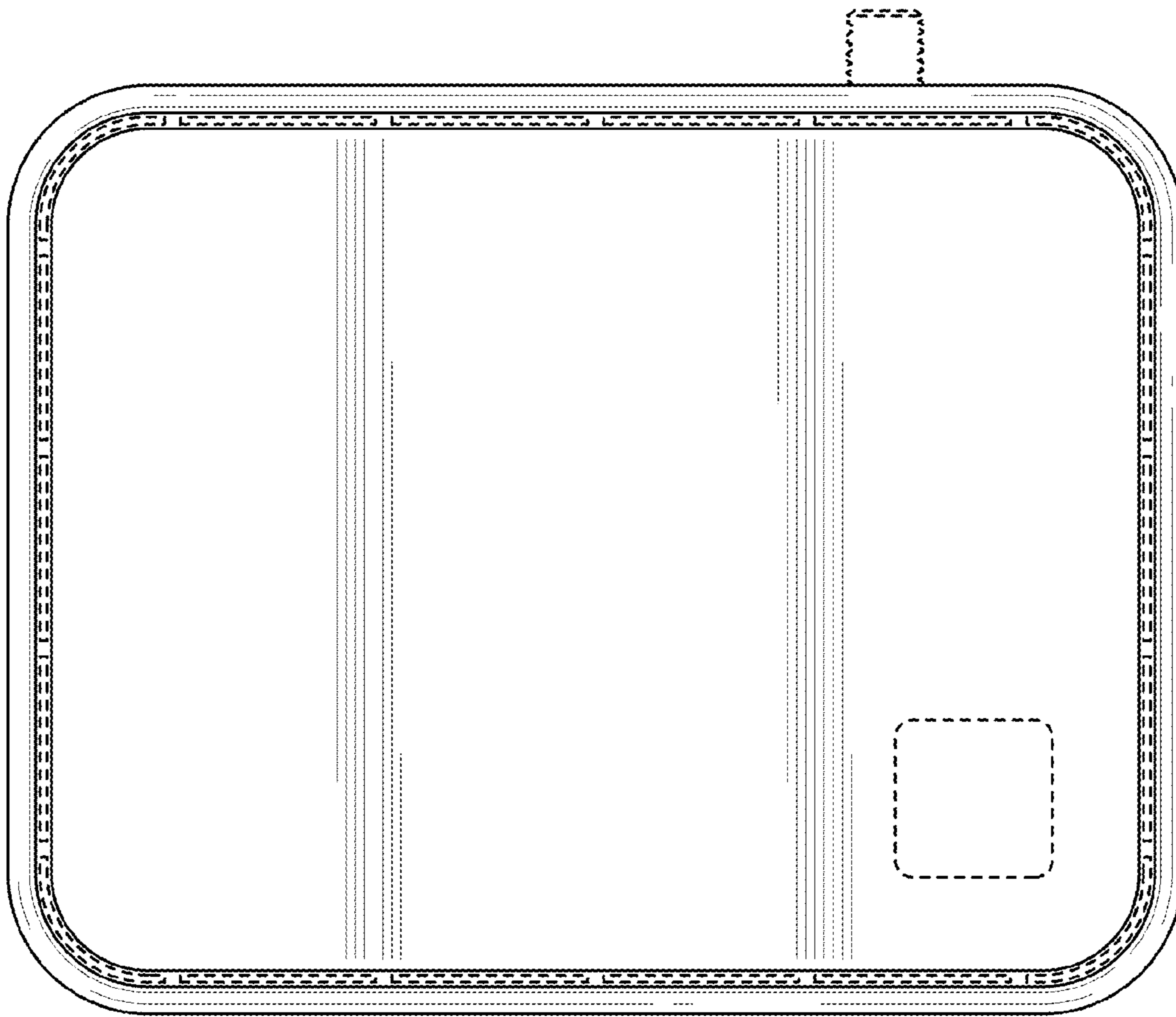


FIG. 6

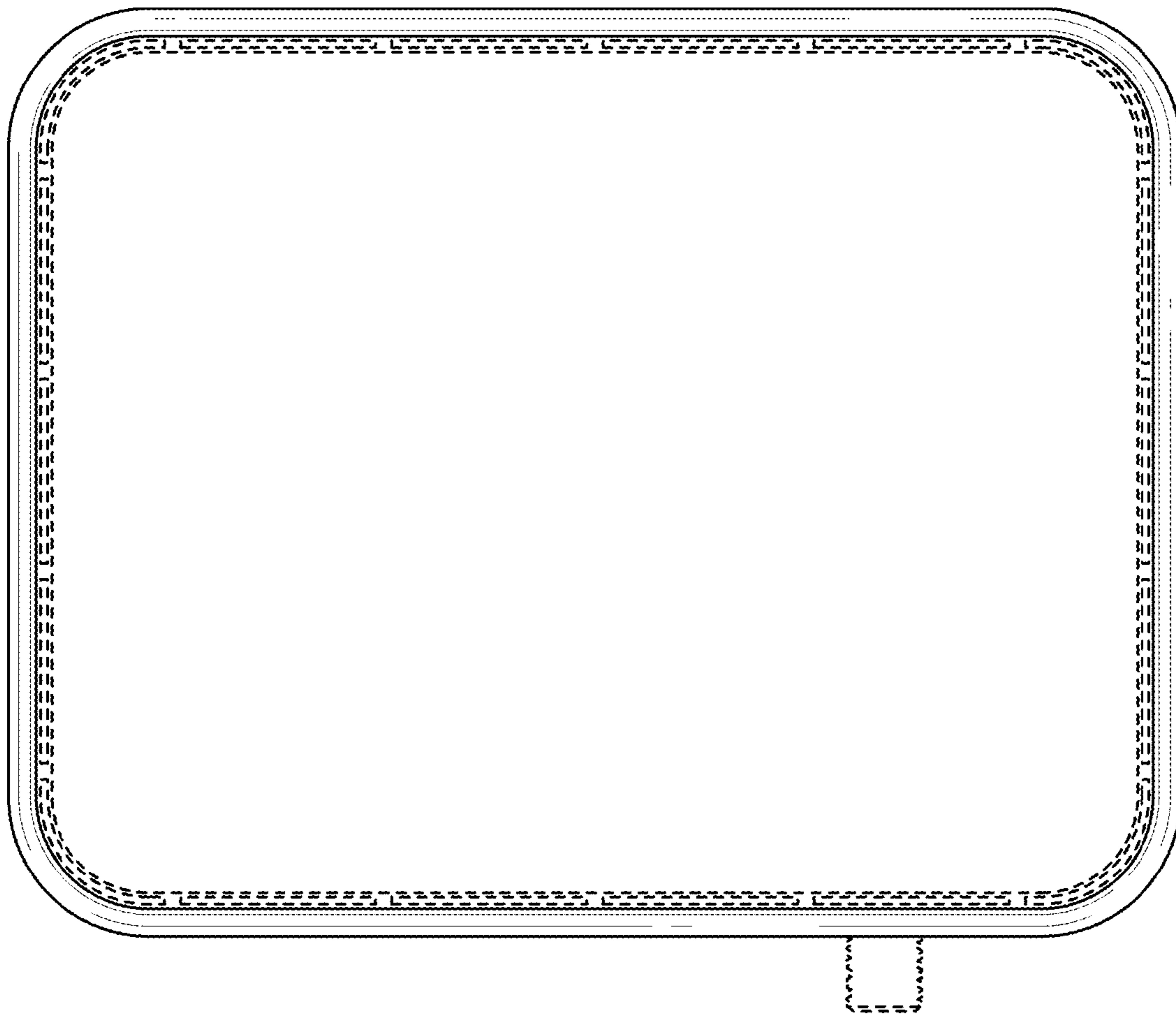


FIG. 7

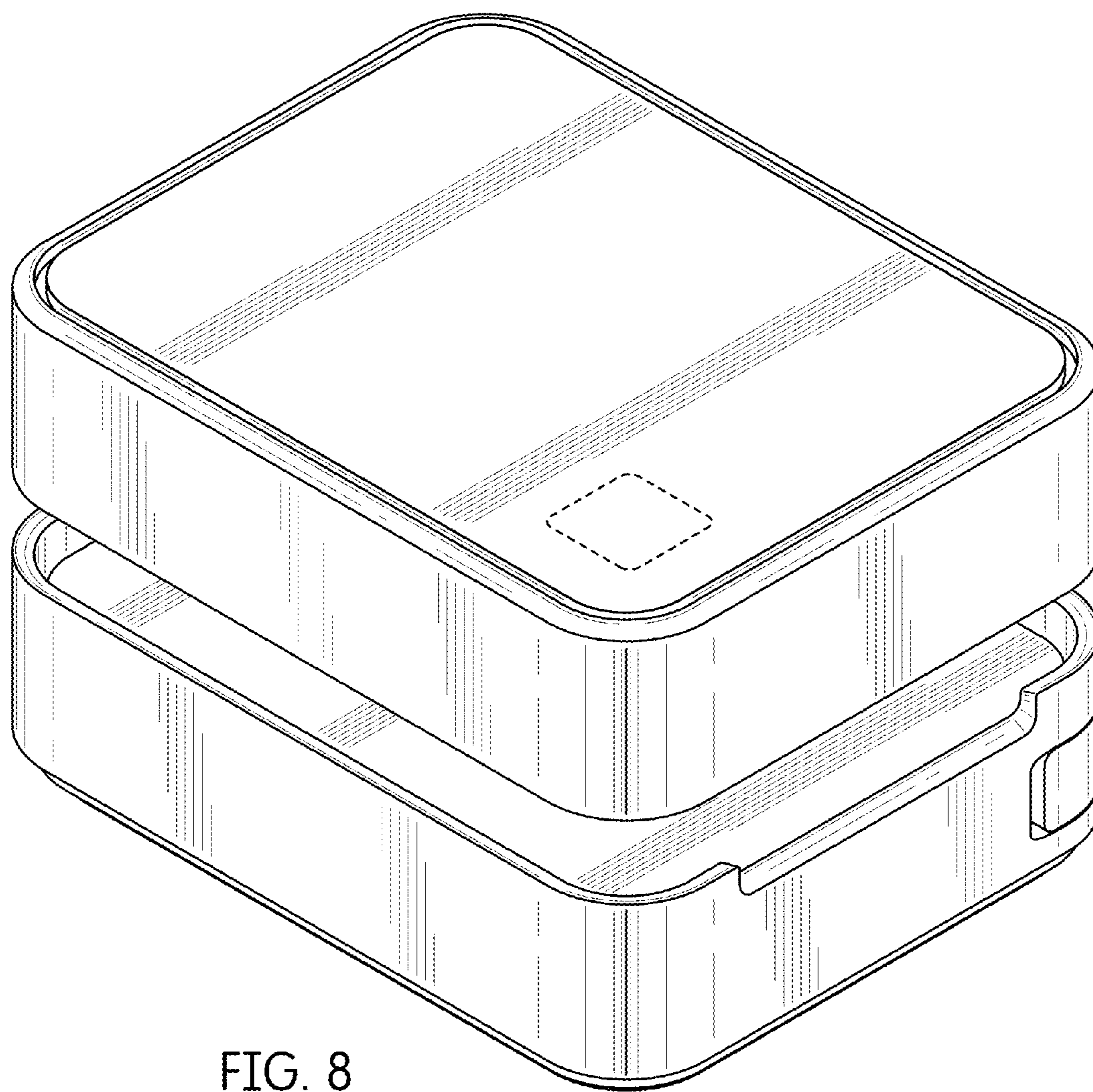


FIG. 8



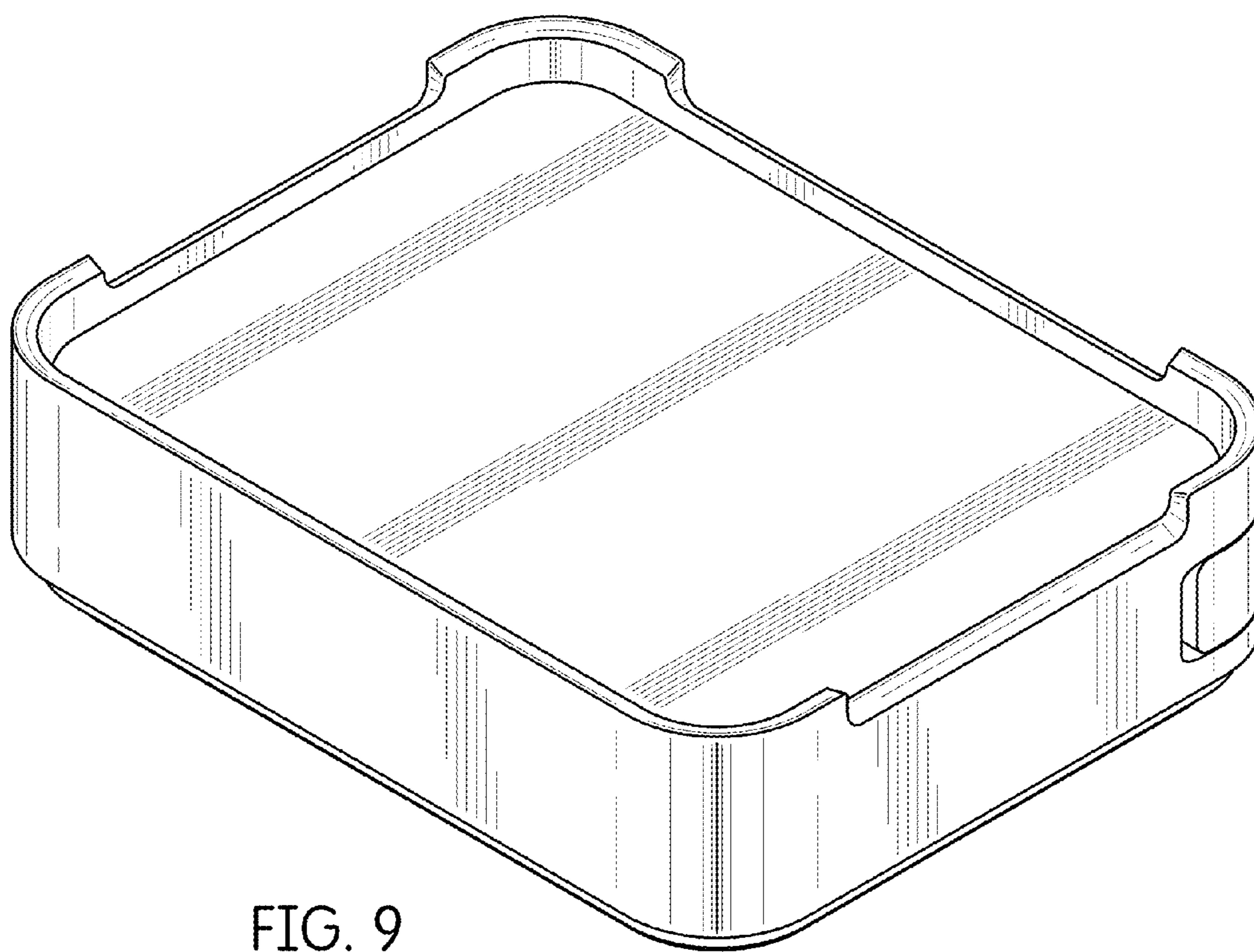


FIG. 9

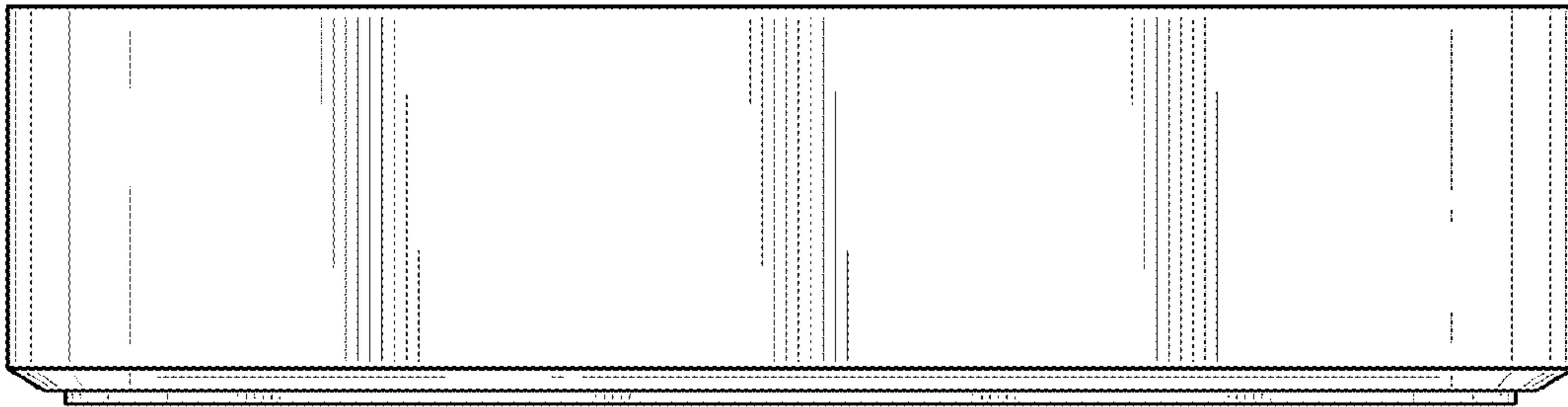


FIG. 10

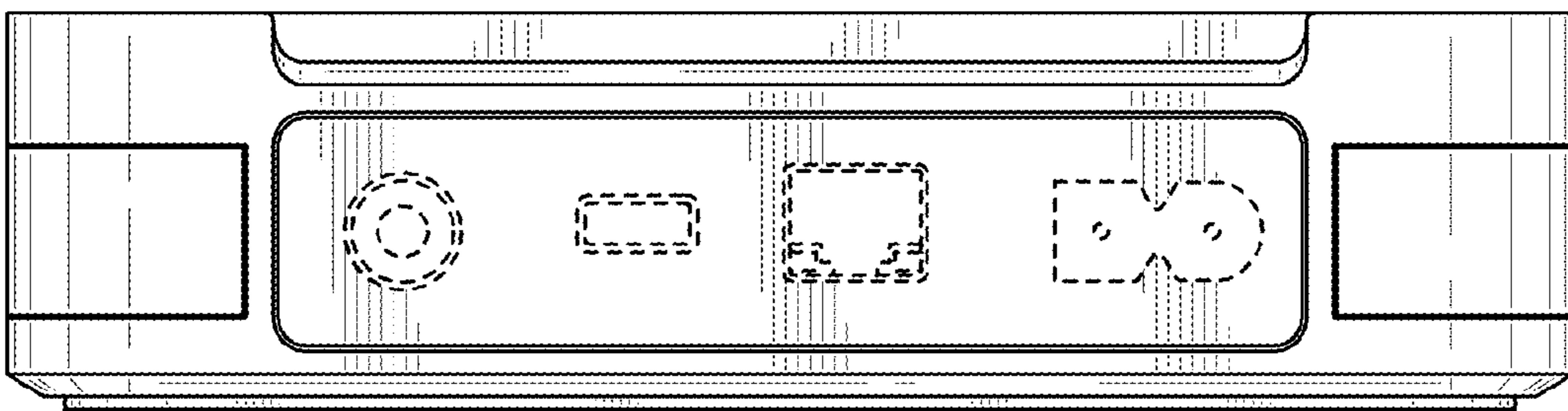


FIG. 11

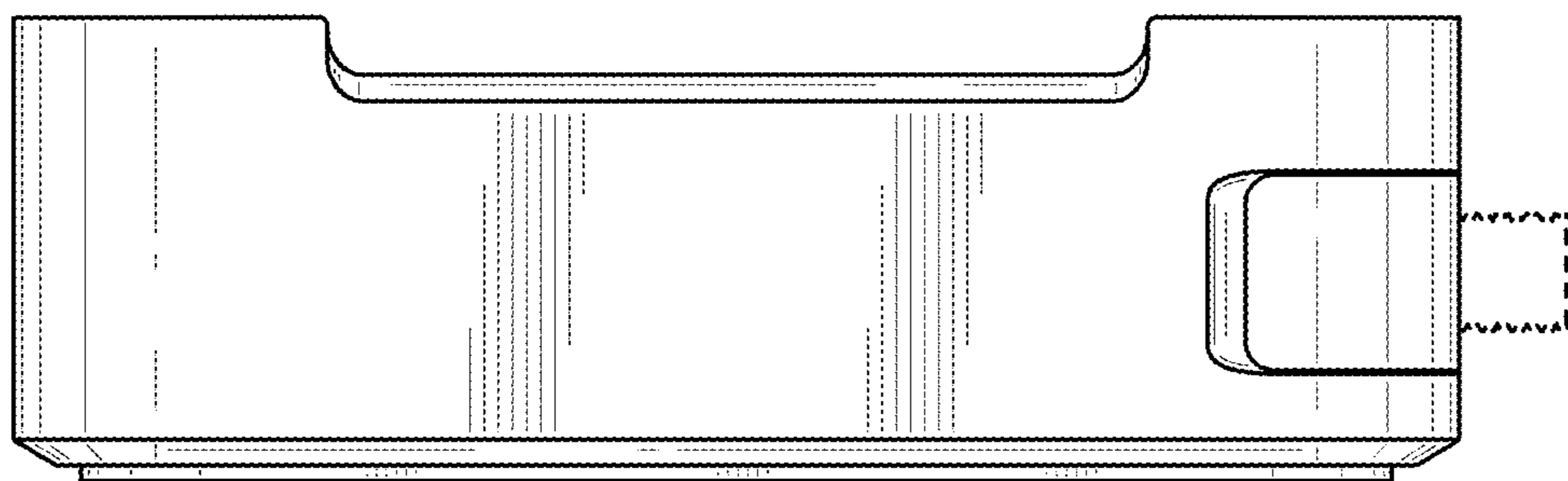


FIG. 12

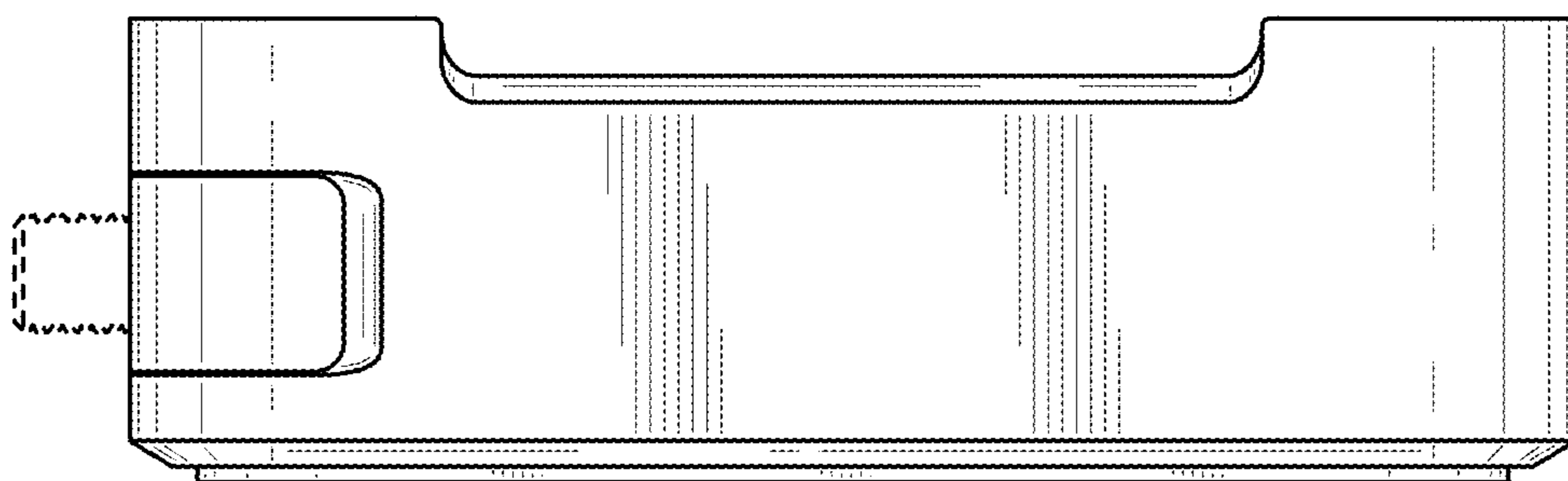


FIG. 13

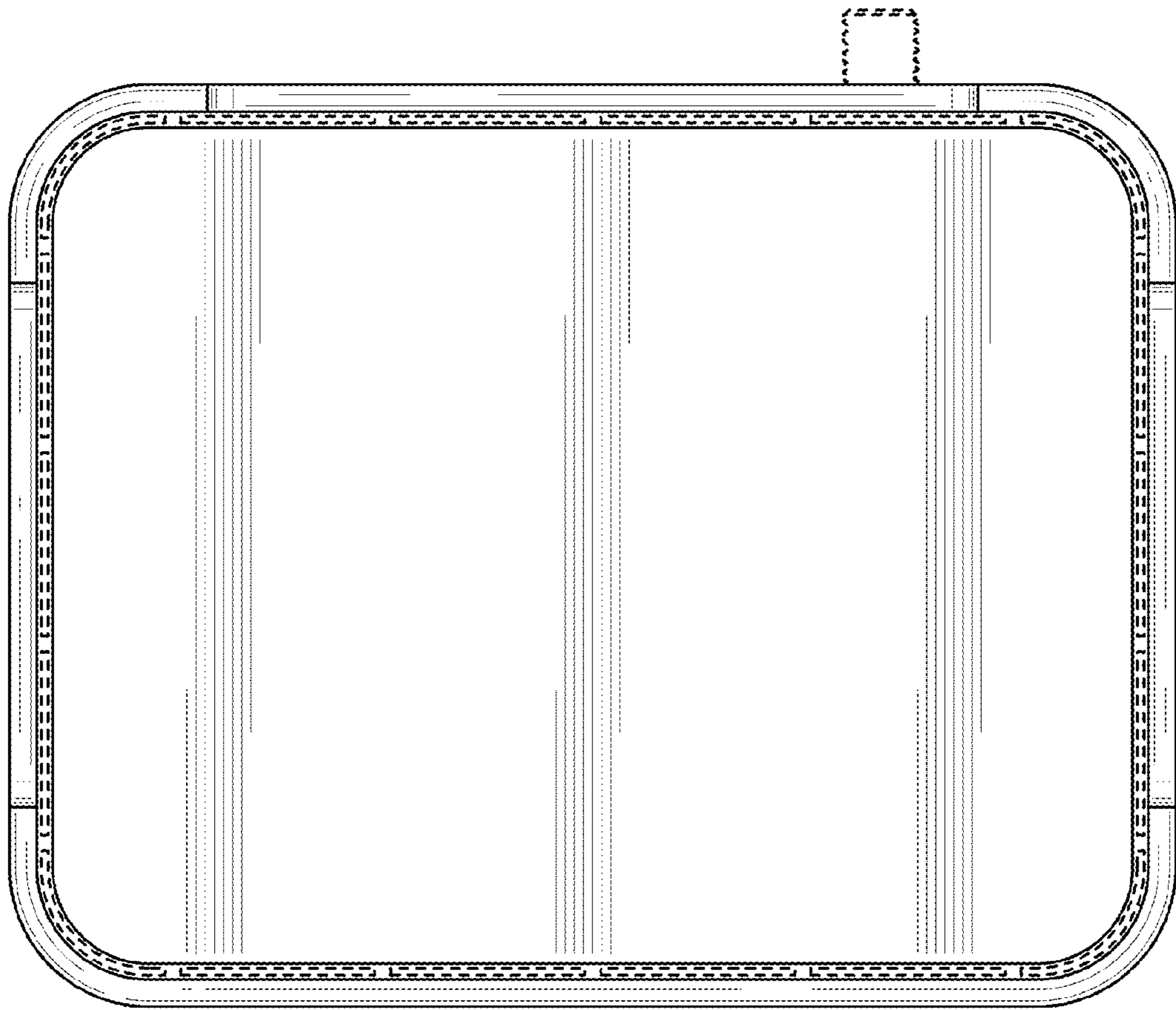


FIG. 14

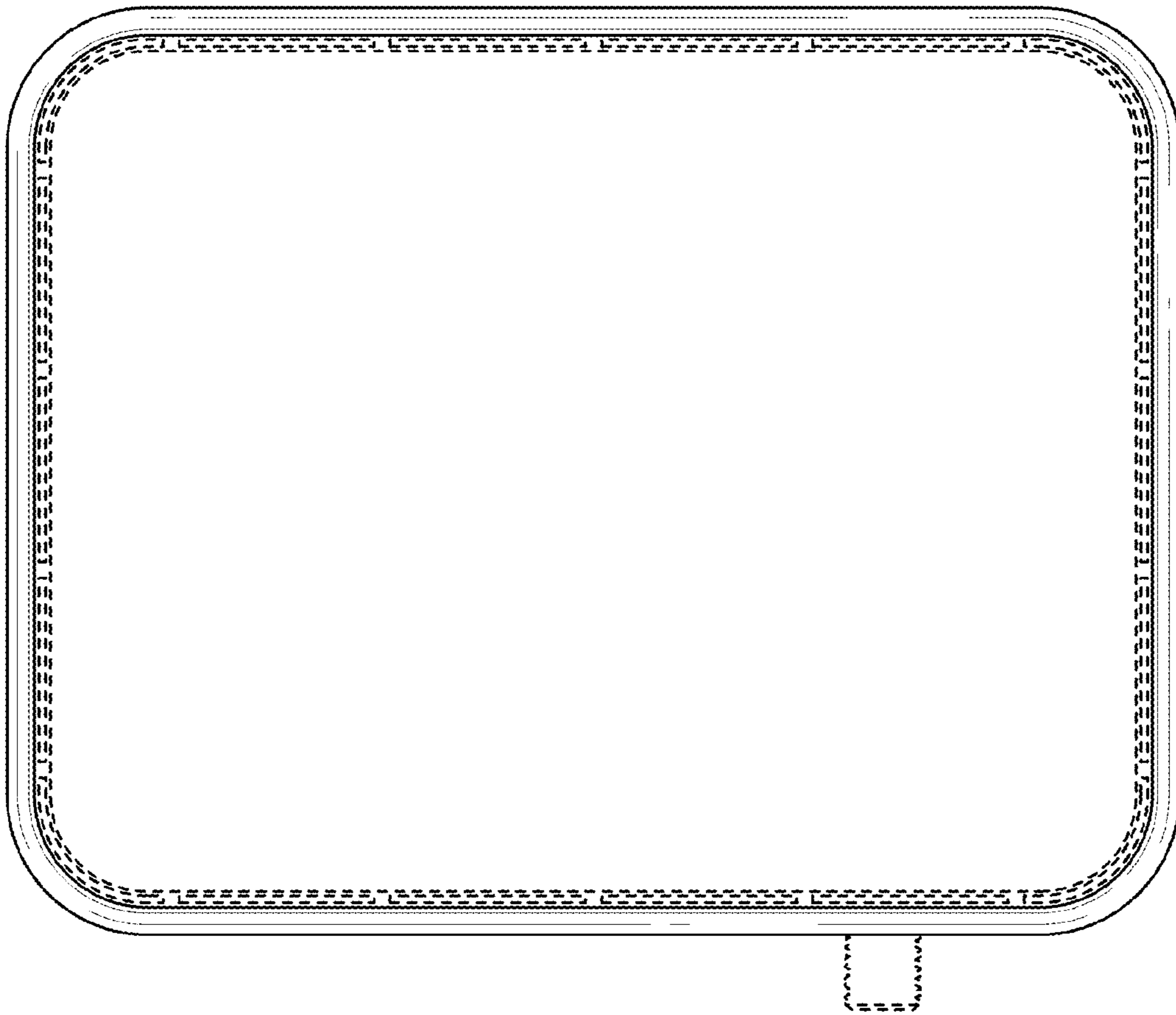


FIG. 15

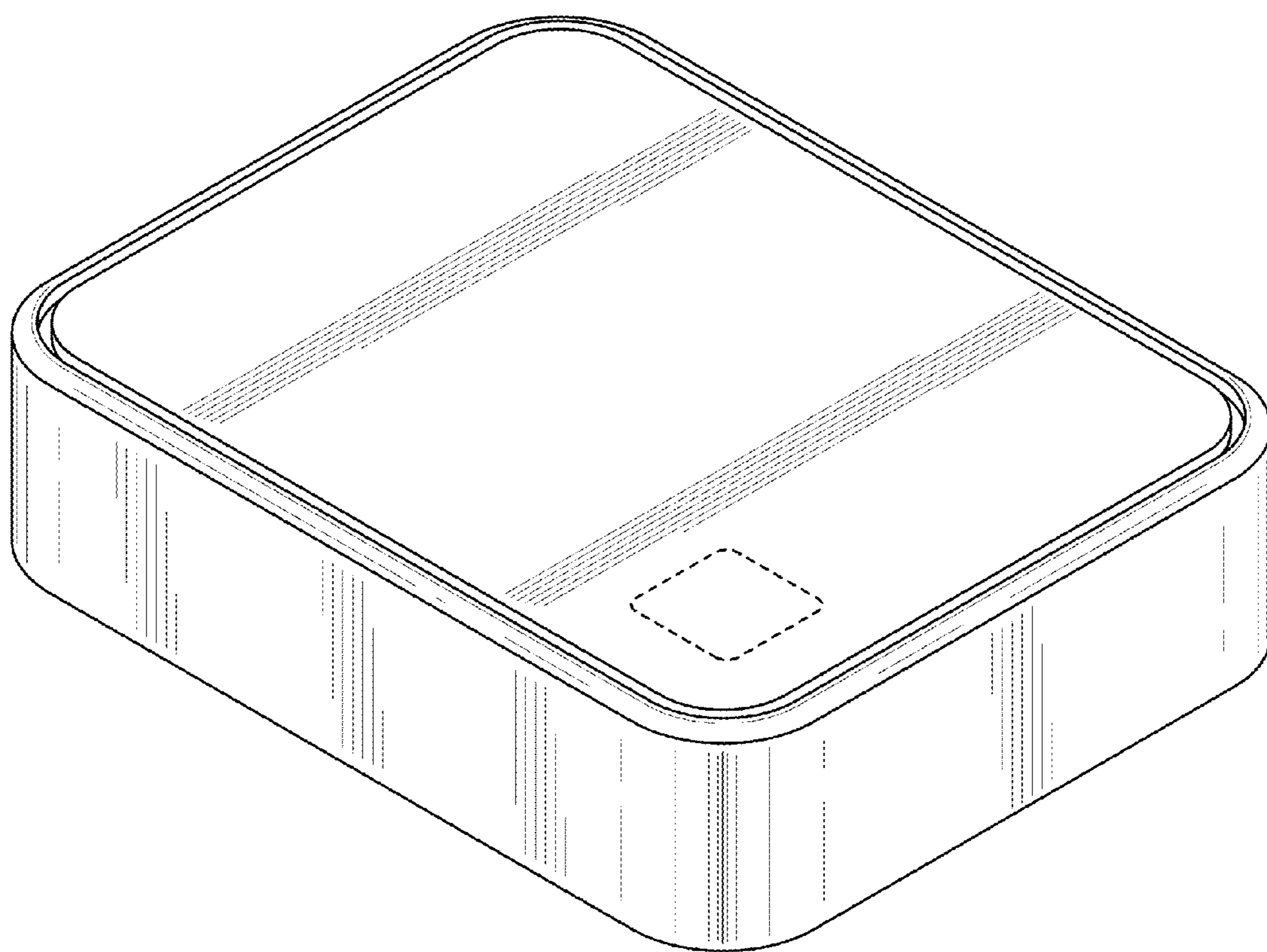


FIG. 16

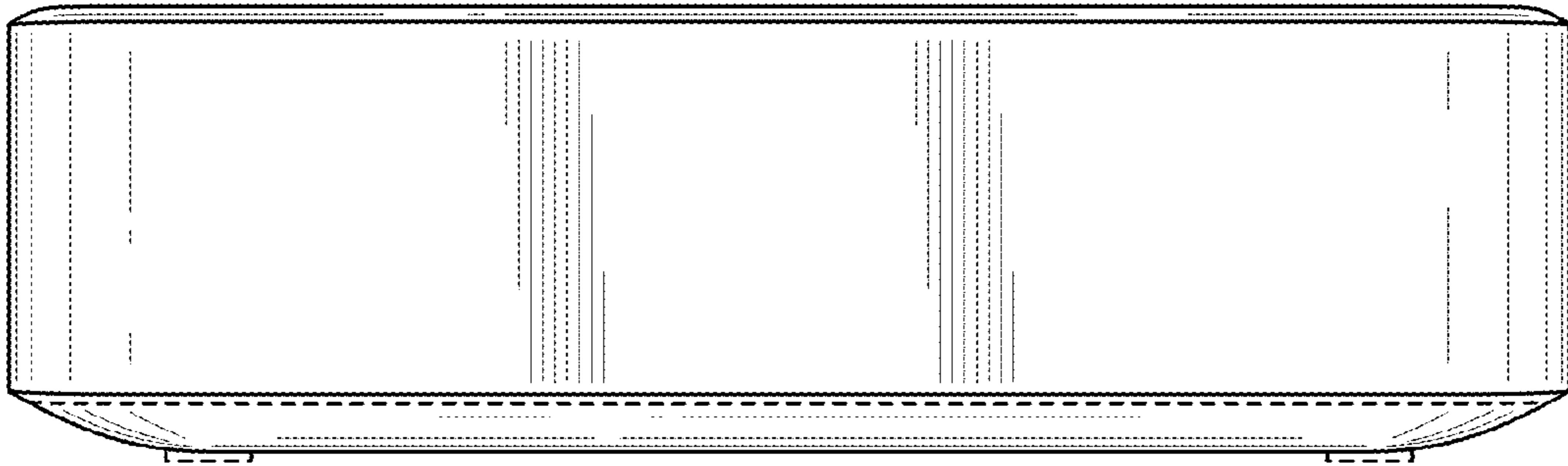


FIG. 17

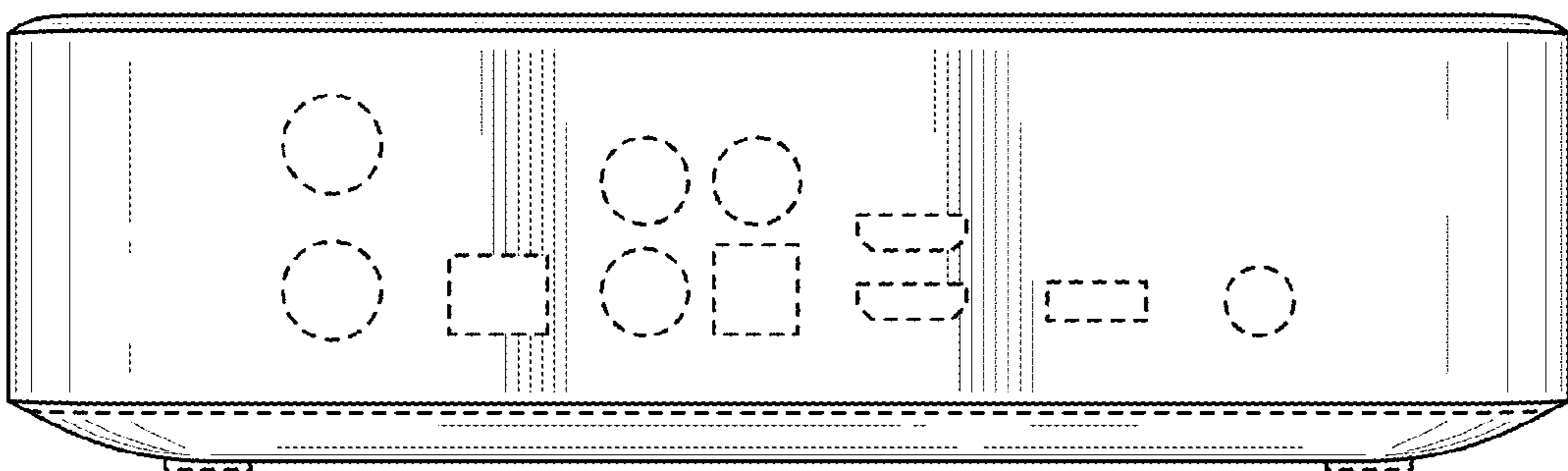


FIG. 18

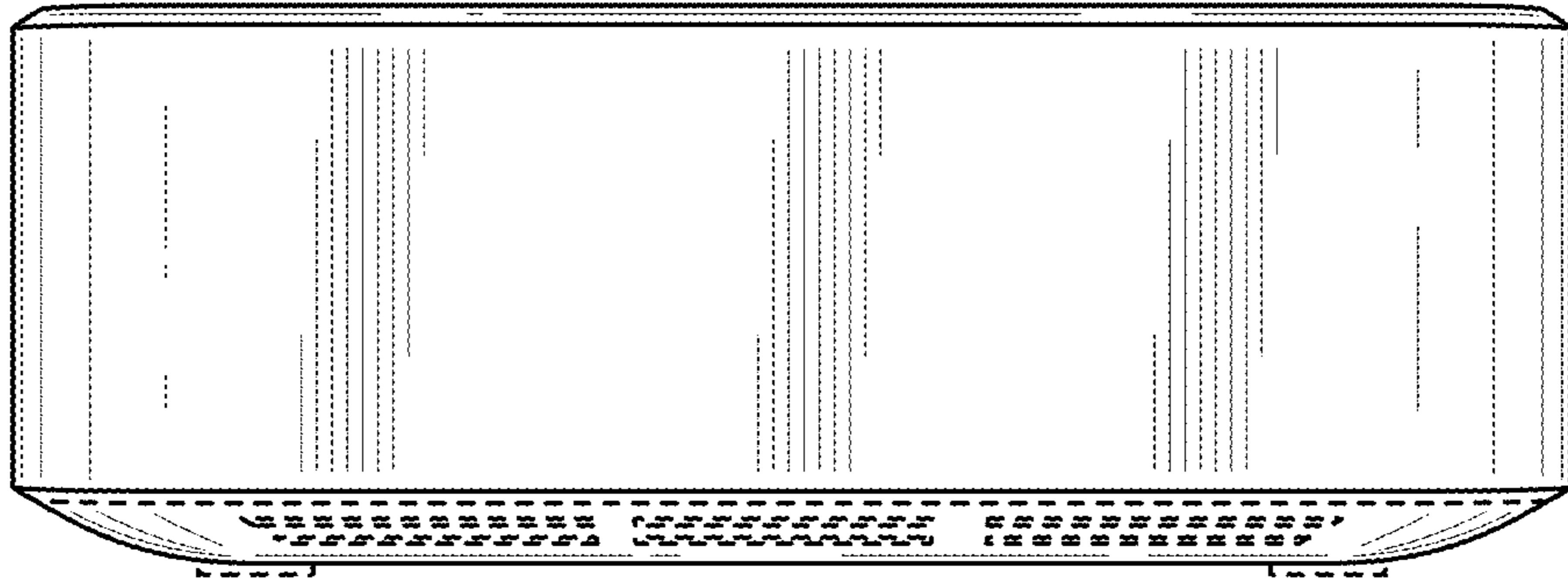


FIG. 19

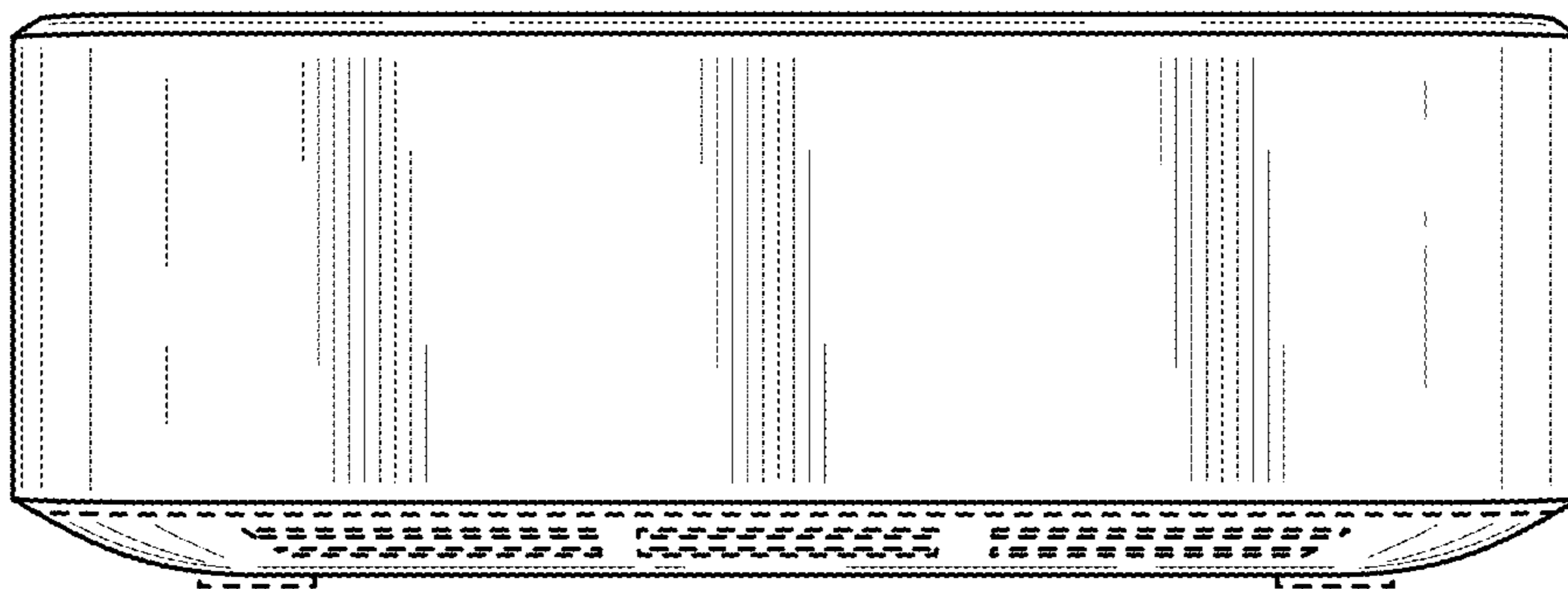


FIG. 20



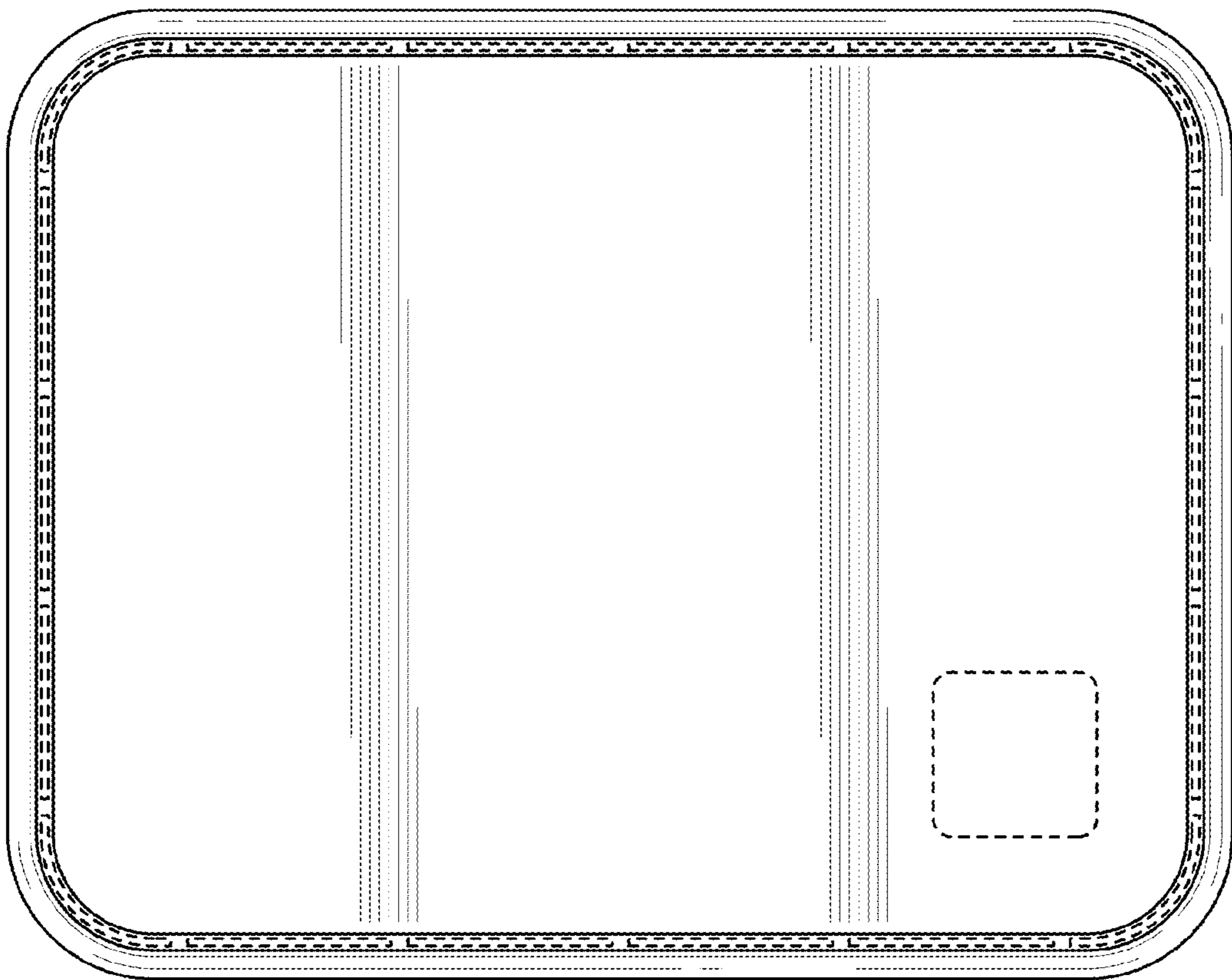


FIG. 21

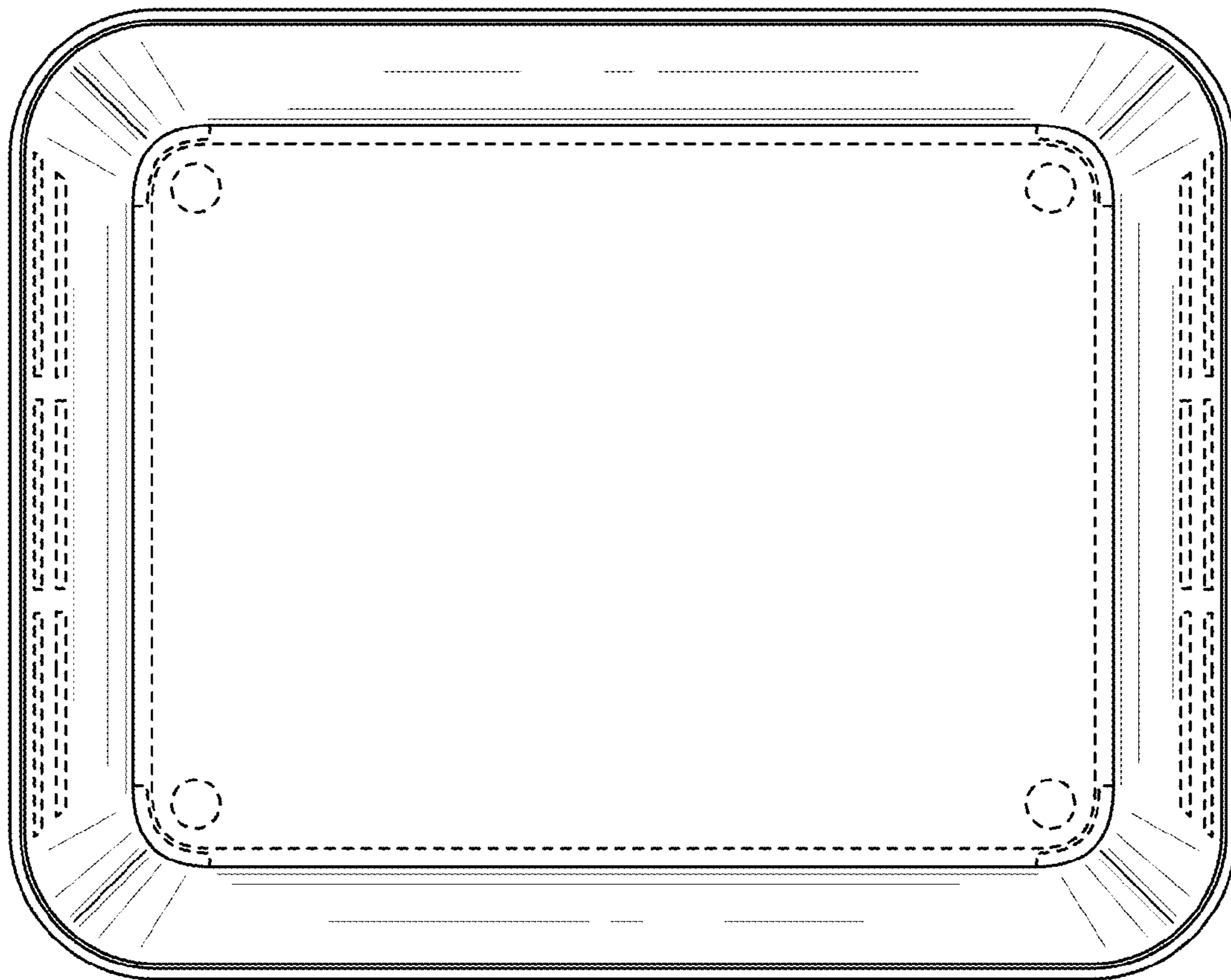


FIG. 22