



US00D747324S

(12) **United States Design Patent**
Erickson et al.

(10) **Patent No.:** **US D747,324 S**
(45) **Date of Patent:** **** Jan. 12, 2016**

- (54) **USB MEMORY DRIVE**
- (71) Applicant: **GW Crystal, Inc.**, Rancho Cucamonga, CA (US)
- (72) Inventors: **Scott Erickson**, Rancho Cucamonga, CA (US); **Peter Gao**, Rancho Cucamonga, CA (US)
- (73) Assignee: **GW Crystal, Inc.**, Rancho Cucamonga, CA (US)

- D586,347 S * 2/2009 Cheng D14/433
- D629,407 S * 12/2010 Otsuka D14/480.5
- D631,055 S * 1/2011 Gilbert D14/242
- D708,188 S * 7/2014 Erickson D14/480.1
- D711,891 S * 8/2014 Emami D14/480.5
- D711,894 S * 8/2014 Lin D14/484.1
- D713,875 S * 9/2014 Packard D19/69
- D718,773 S * 12/2014 Erickson D14/480.1
- D718,774 S * 12/2014 Erickson D14/480.2
- D719,170 S * 12/2014 Gao D14/480.1
- D719,171 S * 12/2014 Erickson D14/480.1
- D725,122 S * 3/2015 Erickson D14/480.1
- D736,150 S * 8/2015 Liu D13/108

(**) Term: **14 Years**

(21) Appl. No.: **29/508,141**

(22) Filed: **Nov. 3, 2014**

(51) **LOC (10) Cl.** **14-99**

(52) **U.S. Cl.**
USPC **D14/480.1**

(58) **Field of Classification Search**
USPC D14/411, 433, 432, 435.1, 436,
D14/480.1-480.7, 484.1, 137, 138, 140,
D14/155, 203.1-203.8, 240, 242, 356, 358,
D14/188, 217, 299, 191; D13/133, 154,
D13/110, 184; D3/273; D9/432, 434;
D10/65, 75, 78
CPC H05K 5/0278; G06K 19/07732
See application file for complete search history.

(56) **References Cited**

U.S. PATENT DOCUMENTS

- D149,535 S * 5/1948 Augenstein D14/314
- D534,448 S * 1/2007 Shaffer, II D10/104.1
- D536,700 S * 2/2007 Landau D14/480.5
- D539,285 S * 3/2007 Landau D14/480.2

* cited by examiner

Primary Examiner — Karen E Kearney

Assistant Examiner — Nathaniel D Buckner

(74) *Attorney, Agent, or Firm* — Brian Billett

(57) **CLAIM**

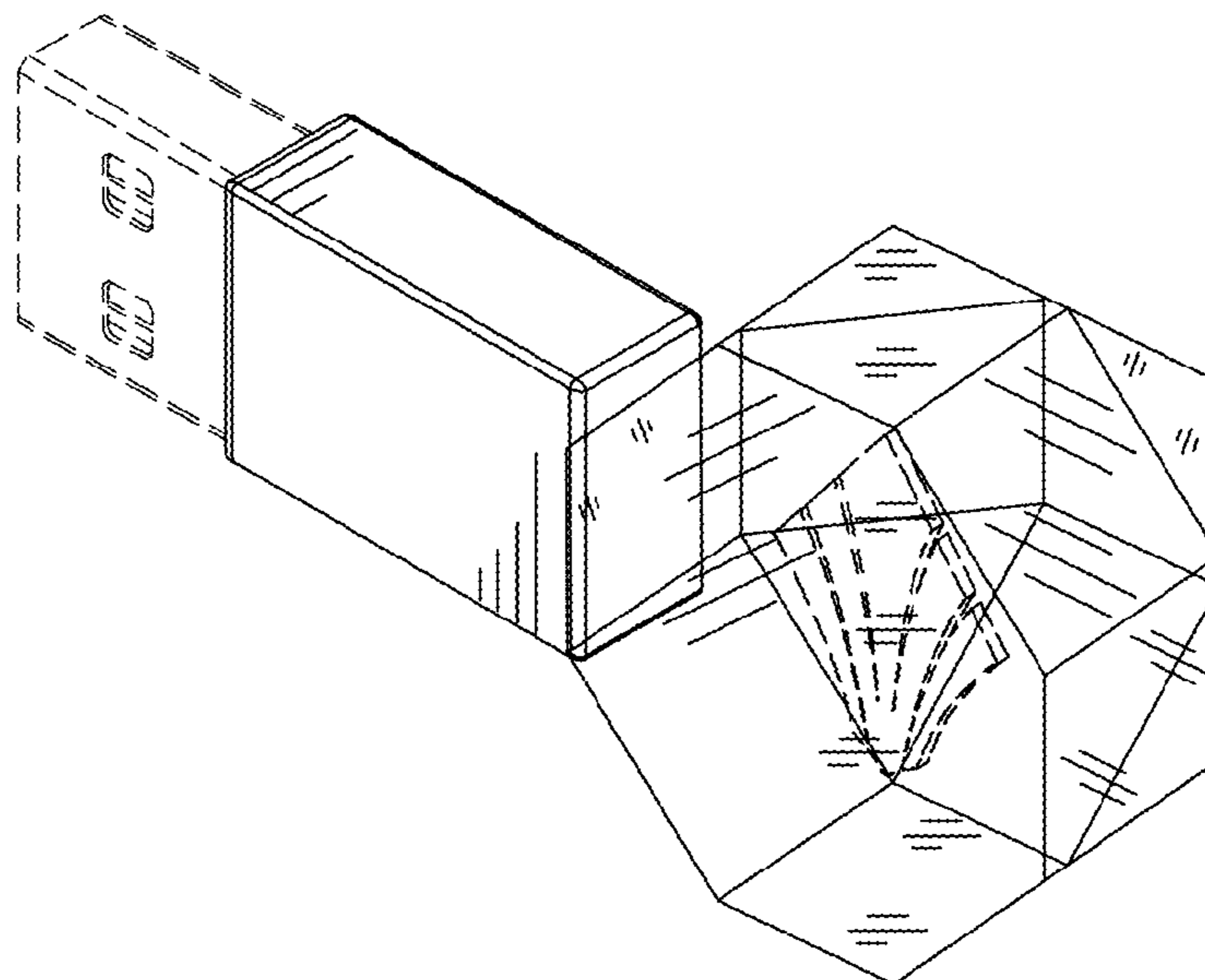
We claim the ornamental design for a USB memory drive, as shown and described.

DESCRIPTION

FIG. 1 is a perspective view of a USB memory drive in accordance with the present design;
FIG. 2 is a top view thereof;
FIG. 3 is a bottom view thereof;
FIG. 4 is a front view thereof;
FIG. 5 is a back view thereof;
FIG. 6 is a right side view thereof; and,
FIG. 7 is a left side view thereof.

The broken line showings of the USB connector and the subsurface engraving are included for the purpose of illustrating portions of the USB memory drive and form no part of the claimed design.

1 Claim, 3 Drawing Sheets



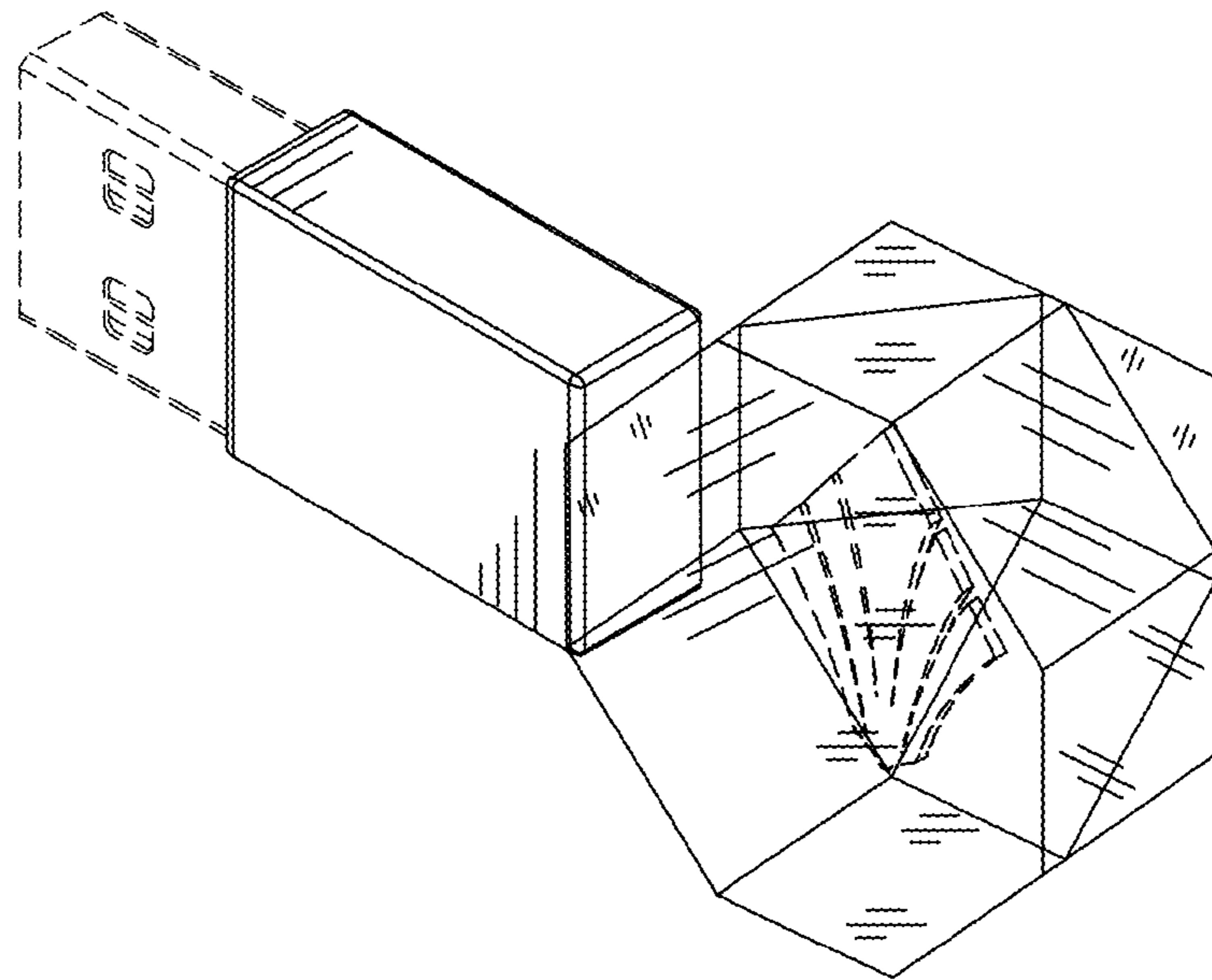


Figure 1

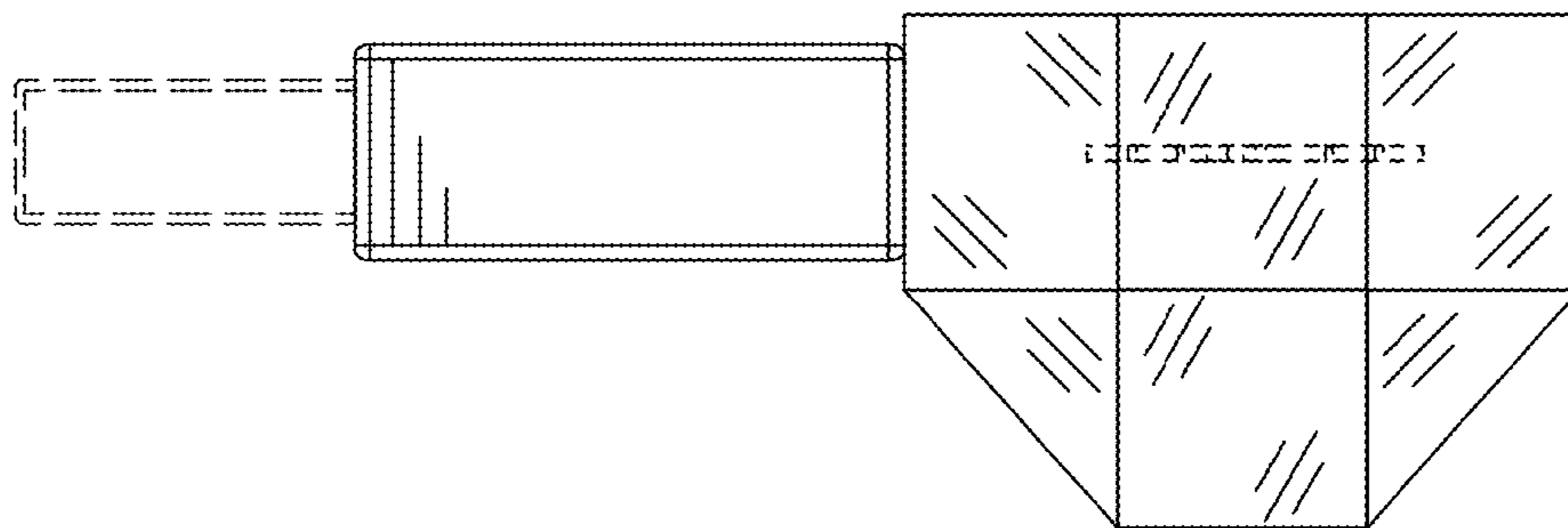


Figure 2

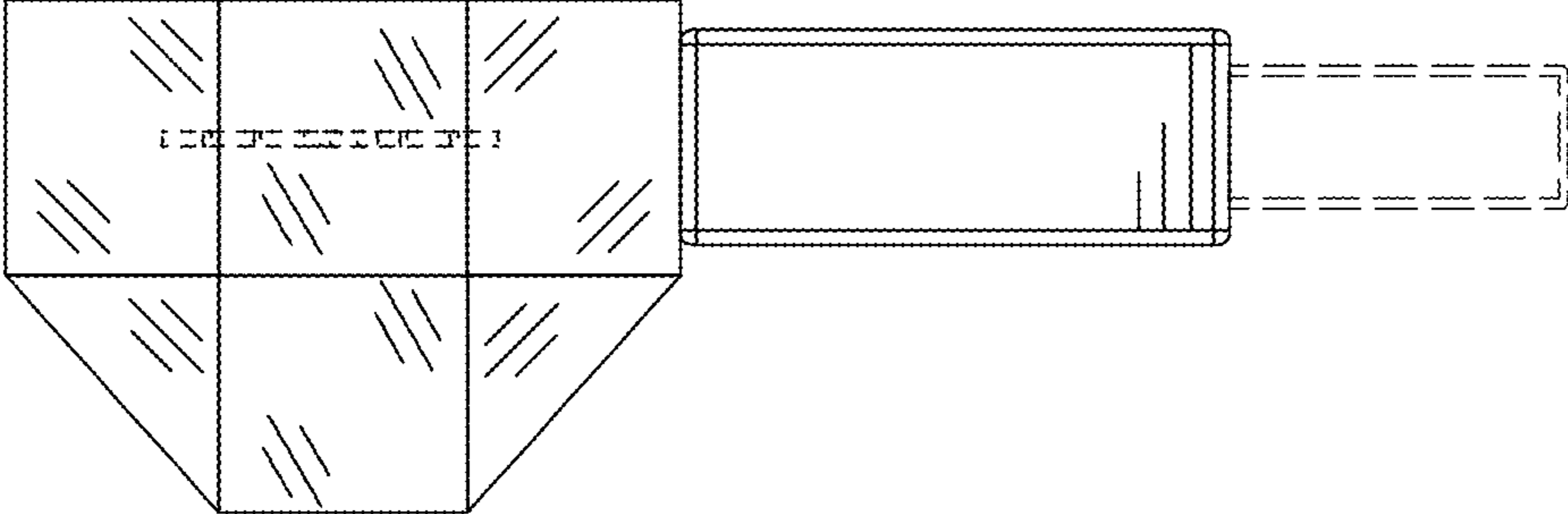


Figure 3

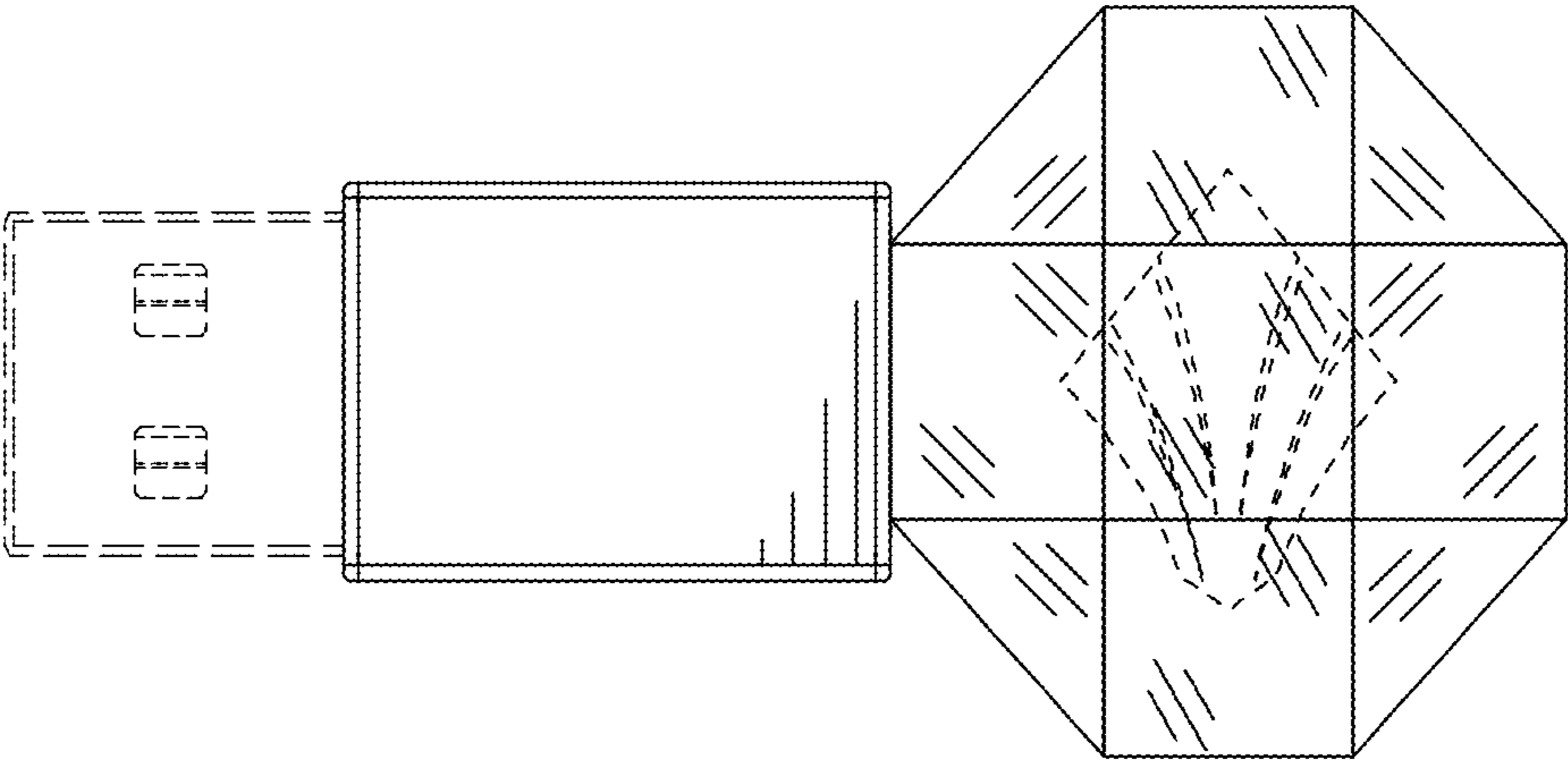


Figure 4

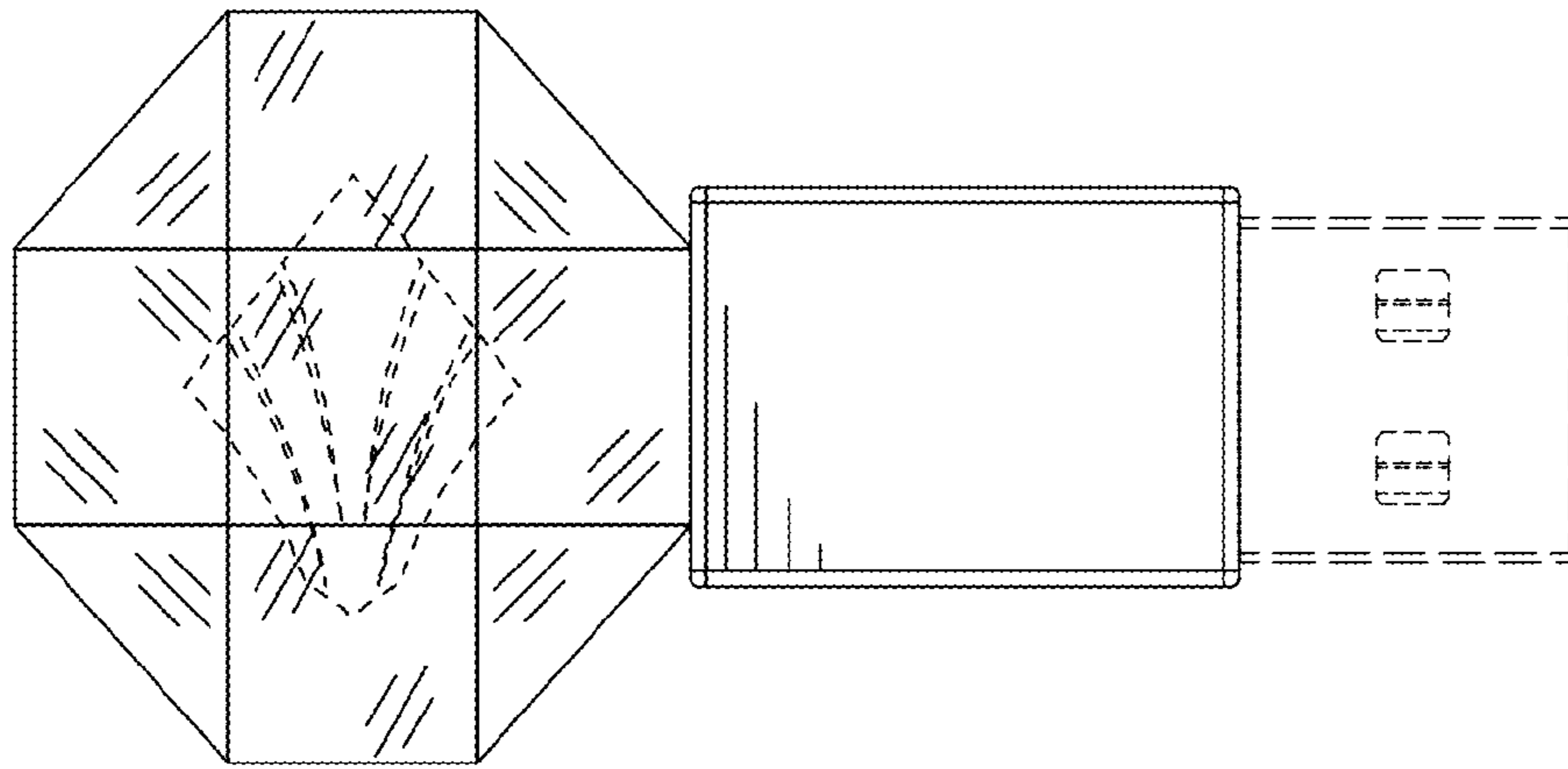


Figure 5

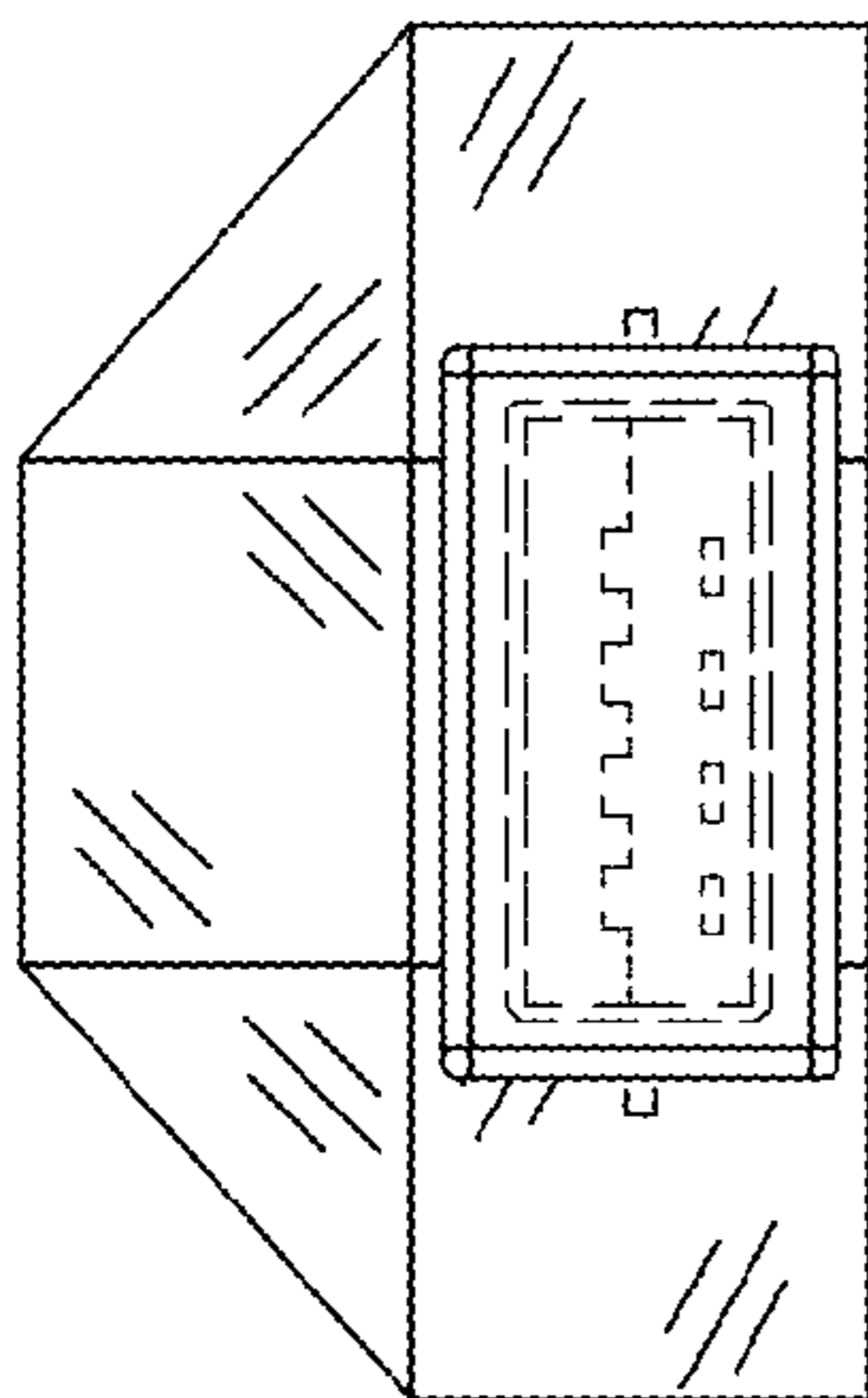


Figure 6

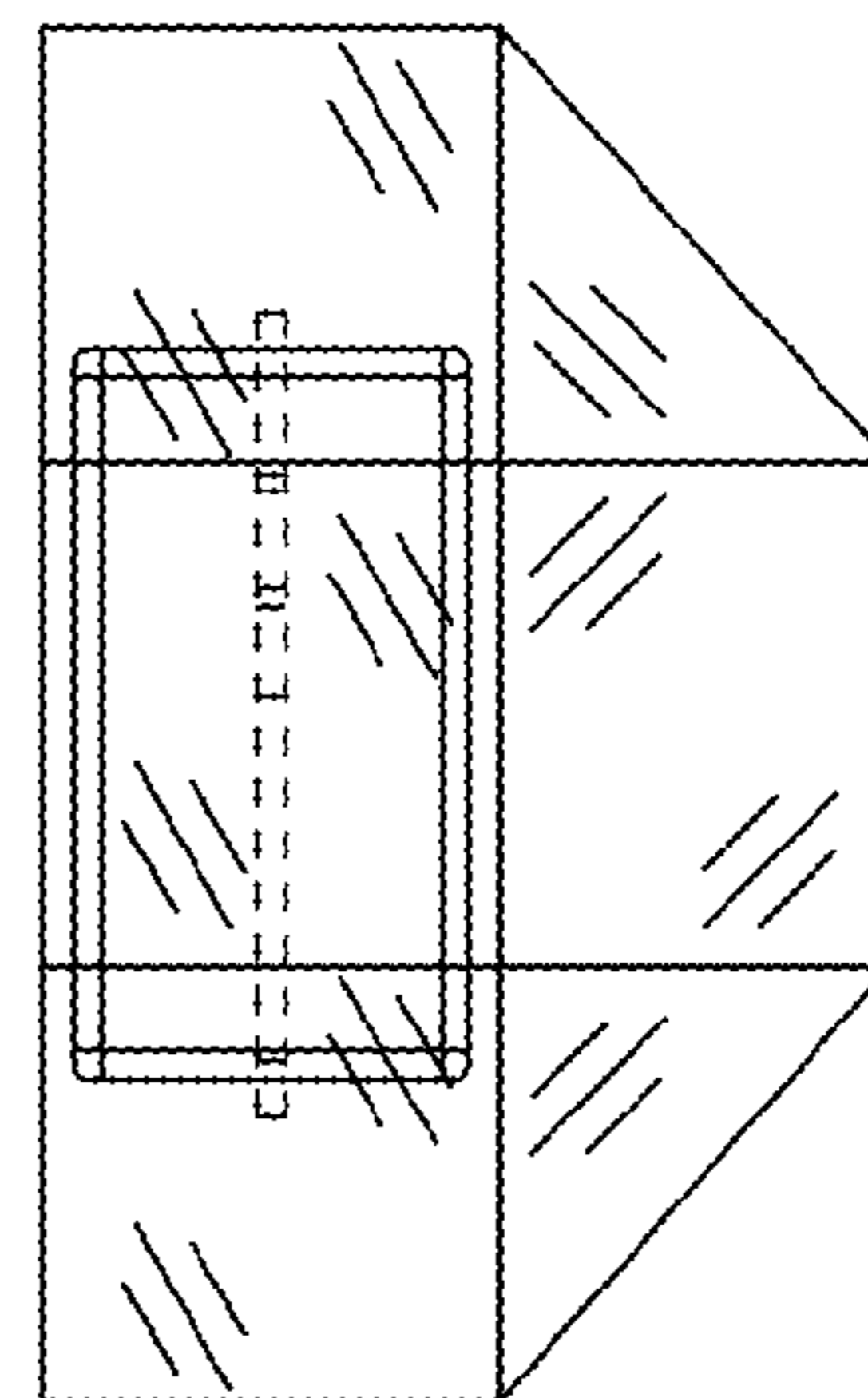


Figure 7