



US00D747322S

(12) **United States Design Patent**
Li

(10) **Patent No.:** **US D747,322 S**
(45) **Date of Patent:** **** Jan. 12, 2016**

(54) **VEHICLE DOCK FOR PORTABLE COMPUTER**

D703,214 S * 4/2014 Lye D14/447
D710,365 S * 8/2014 Huang D14/447
D737,829 S * 9/2015 Lee D14/447

(71) Applicant: **GETAC TECHNOLOGY CORPORATION**, Hsinchu County (TW)

* cited by examiner

Primary Examiner — Angela J Lee

(72) Inventor: **Chun-Hsing Li**, Taipei (TW)

(57) **CLAIM**

The ornamental design for a vehicle dock for portable computer, as shown and described.

(73) Assignee: **Getac Technology Corporation**, Hsinchu County (TW)

(**) Term: **14 Years**

DESCRIPTION

(21) Appl. No.: **29/497,448**

(22) Filed: **Jul. 24, 2014**

(51) **LOC (10) Cl.** **08-07**

(52) **U.S. Cl.**
USPC **D14/447**

(58) **Field of Classification Search**

USPC D14/447, 432, 434, 439, 440, 451, 452, D14/457, 250, 251, 253; D3/218; D6/406.3, D6/406.4, 406.5, 406.6

CPC A45C 2011/003; A45C 2011/002; A45C 13/002; A47B 2023/049; A47B 2097/005; A47B 2097/006; A47B 21/04; A47B 23/00; A47B 23/043; A47B 2021/0307; A47B 2023/005; F16M 2200/00; H04B 1/3888; H04M 1/04; H04M 1/185

See application file for complete search history.

FIG. 1 is a front perspective view showing a first embodiment of my new design;

FIG. 2 is a bottom perspective view of the first embodiment of my new design;

FIG. 3 is a front view of the first embodiment of my new design;

FIG. 4 is a rear view of the first embodiment of my new design;

FIG. 5 is a left side view of the first embodiment of my new design;

FIG. 6 is a right side view of the first embodiment of my new design;

FIG. 7 is a top view of the first embodiment of my new design;

FIG. 8 is a bottom view of the first embodiment of my new design;

FIG. 9 is a reference perspective view showing the usage state of vehicle dock for portable computer;

FIG. 10 is a front perspective view showing a second embodiment of my new design;

FIG. 11 is a bottom perspective view of the second embodiment of my new design;

FIG. 12 is a front view of the second embodiment of my new design;

FIG. 13 is a rear view of the second embodiment of my new design;

FIG. 14 is a left side view of the second embodiment of my new design;

FIG. 15 is a right side view of the second embodiment of my new design;

FIG. 16 is a top view of the second embodiment of my new design;

(56) **References Cited**

U.S. PATENT DOCUMENTS

D413,872 S * 9/1999 Jessen D14/447
D505,427 S * 5/2005 Bain D14/451
D583,163 S * 12/2008 Jennings D6/406.6
D621,406 S * 8/2010 Hoehn D14/447
D642,121 S * 7/2011 Lee D13/108
D653,669 S * 2/2012 Kim D14/447
D656,500 S * 3/2012 Maruyama D14/447
D692,437 S * 10/2013 Sugino D14/447
D695,748 S * 12/2013 Morris D14/447
D699,245 S * 2/2014 Lee D14/447

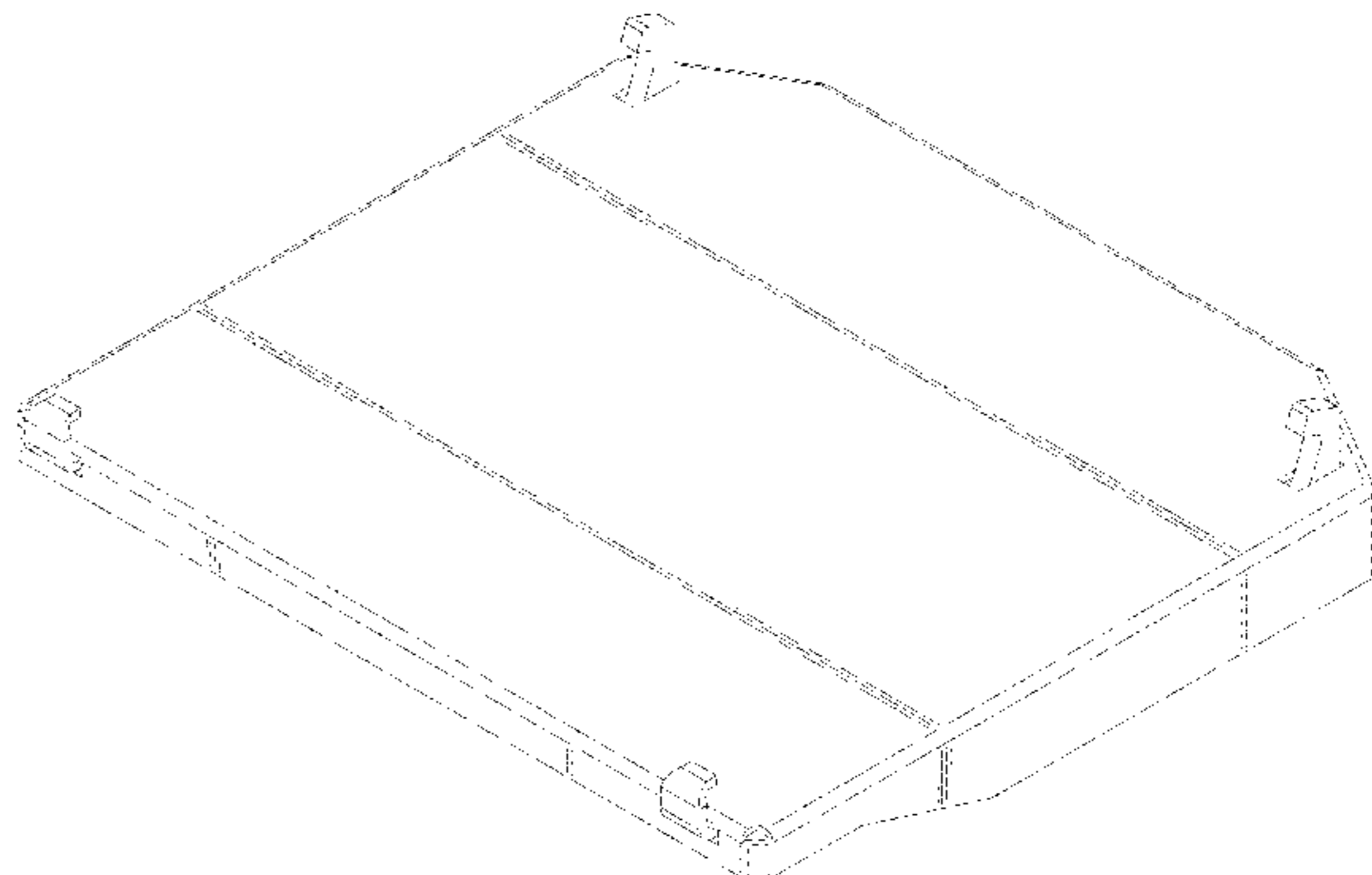
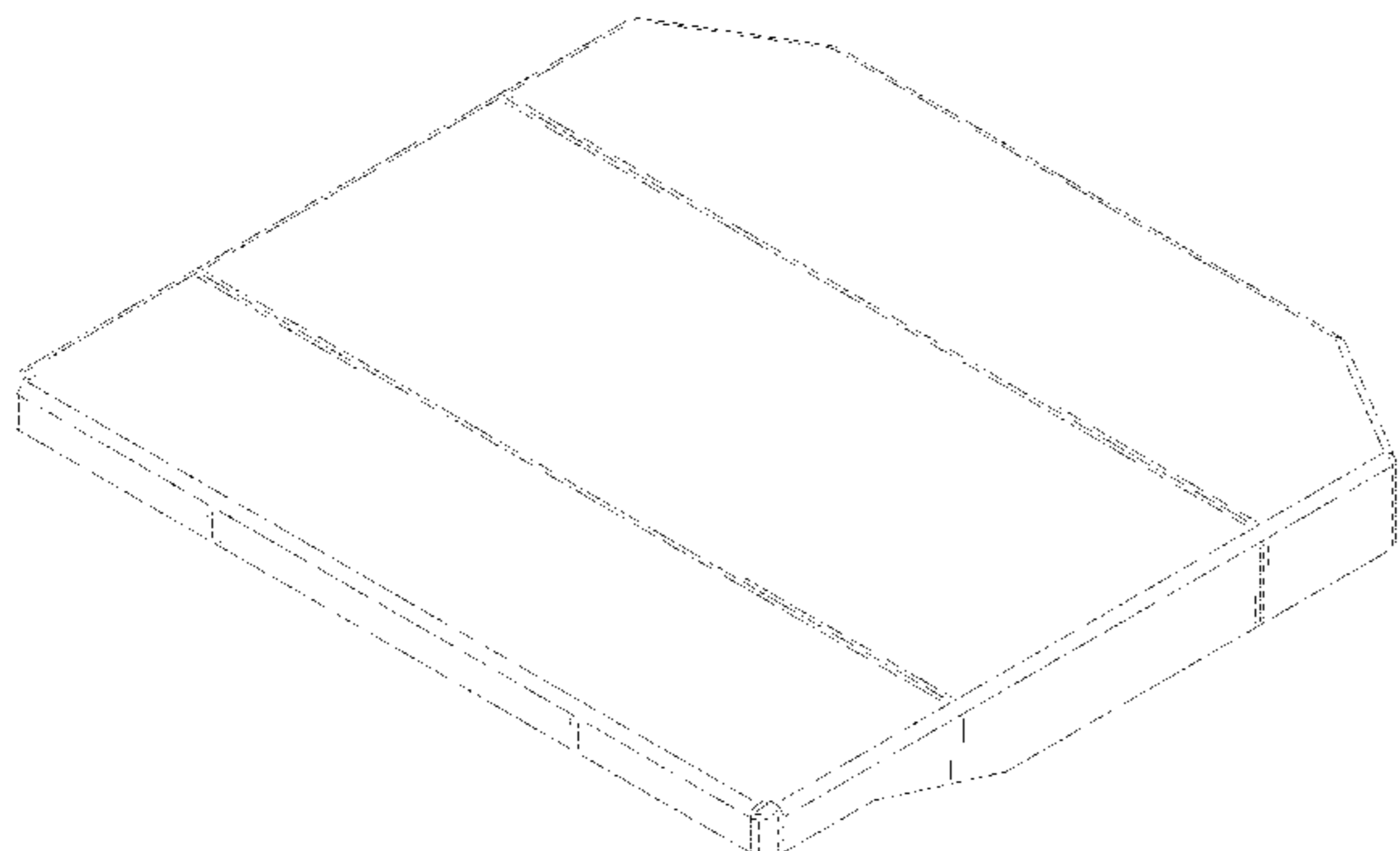


FIG. 17 is a bottom view of the second embodiment of my new design;

FIG. 18 is a reference perspective view showing the usage state of vehicle dock for portable computer;

FIG. 19 is a front perspective view showing a third embodiment of my new design;

FIG. 20 is a bottom perspective view of the third embodiment of my new design;

FIG. 21 is a front view of the third embodiment of my new design;

FIG. 22 is a rear view of the third embodiment of my new design;

FIG. 23 is a left side view of the third embodiment of my new design;

FIG. 24 is a right side view of the third embodiment of my new design;

FIG. 25 is a top view of the third embodiment of my new design;

FIG. 26 is a bottom view of the third embodiment of my new design;

FIG. 27 is a reference perspective view showing the usage state of vehicle dock for portable computer;

FIG. 28 is a front perspective view showing a fourth embodiment of my new design;

FIG. 29 is a bottom perspective view of the fourth embodiment of my new design;

FIG. 30 is a front view of the fourth embodiment of my new design;

FIG. 31 is a rear view of the fourth embodiment of my new design;

FIG. 32 is a left side view of the fourth embodiment of my new design;

FIG. 33 is a right side view of the fourth embodiment of my new design;

FIG. 34 is a top view of the fourth embodiment of my new design;

FIG. 35 is a bottom view of the third fourth embodiment of my new design; and,

FIG. 36 is a reference perspective view showing the usage state of vehicle dock for portable computer.

The broken lines showing a portable computer are included to show the vehicle dock for portable computer in use and form no part of the claimed design.

1 Claim, 28 Drawing Sheets

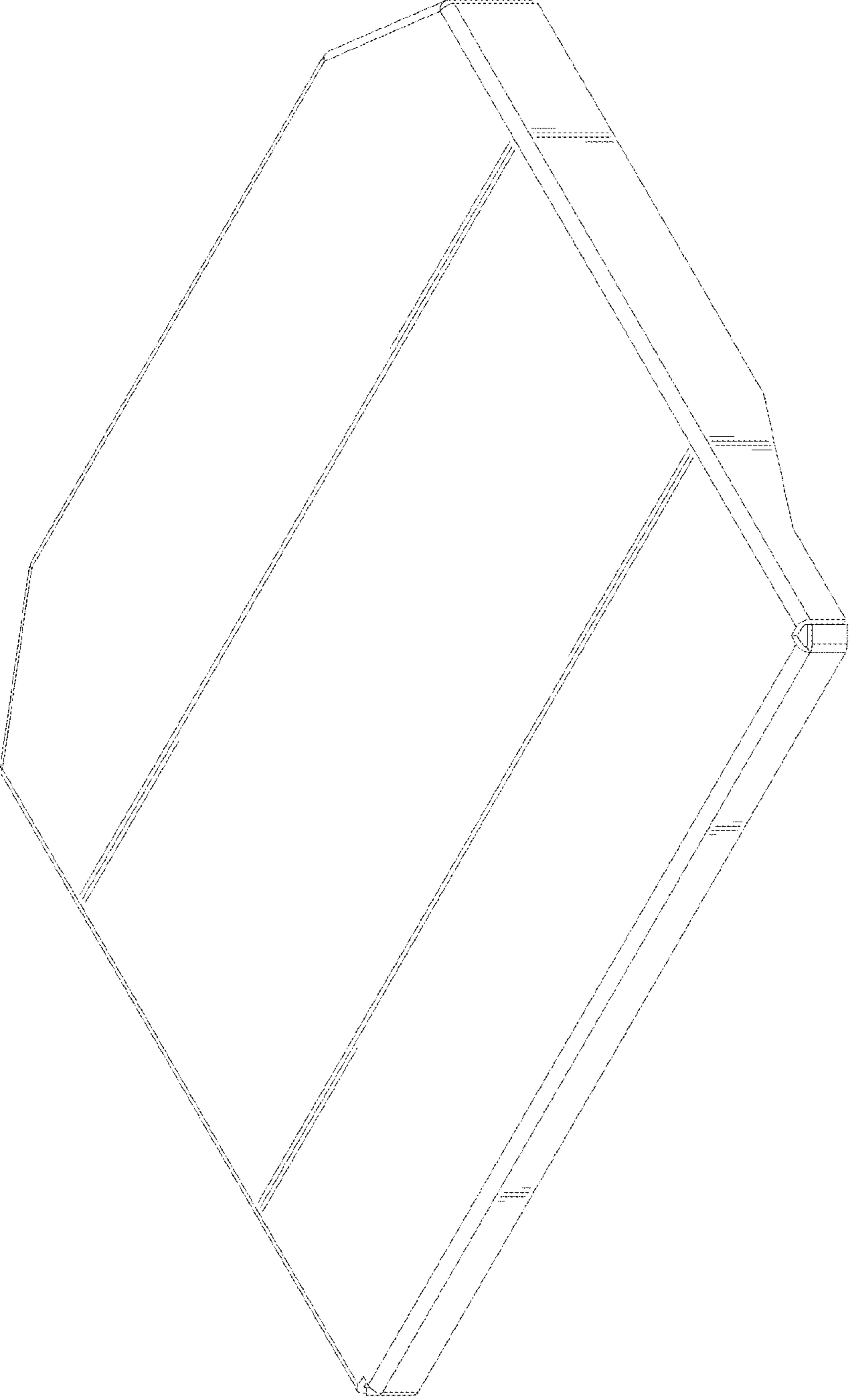


FIG. 1

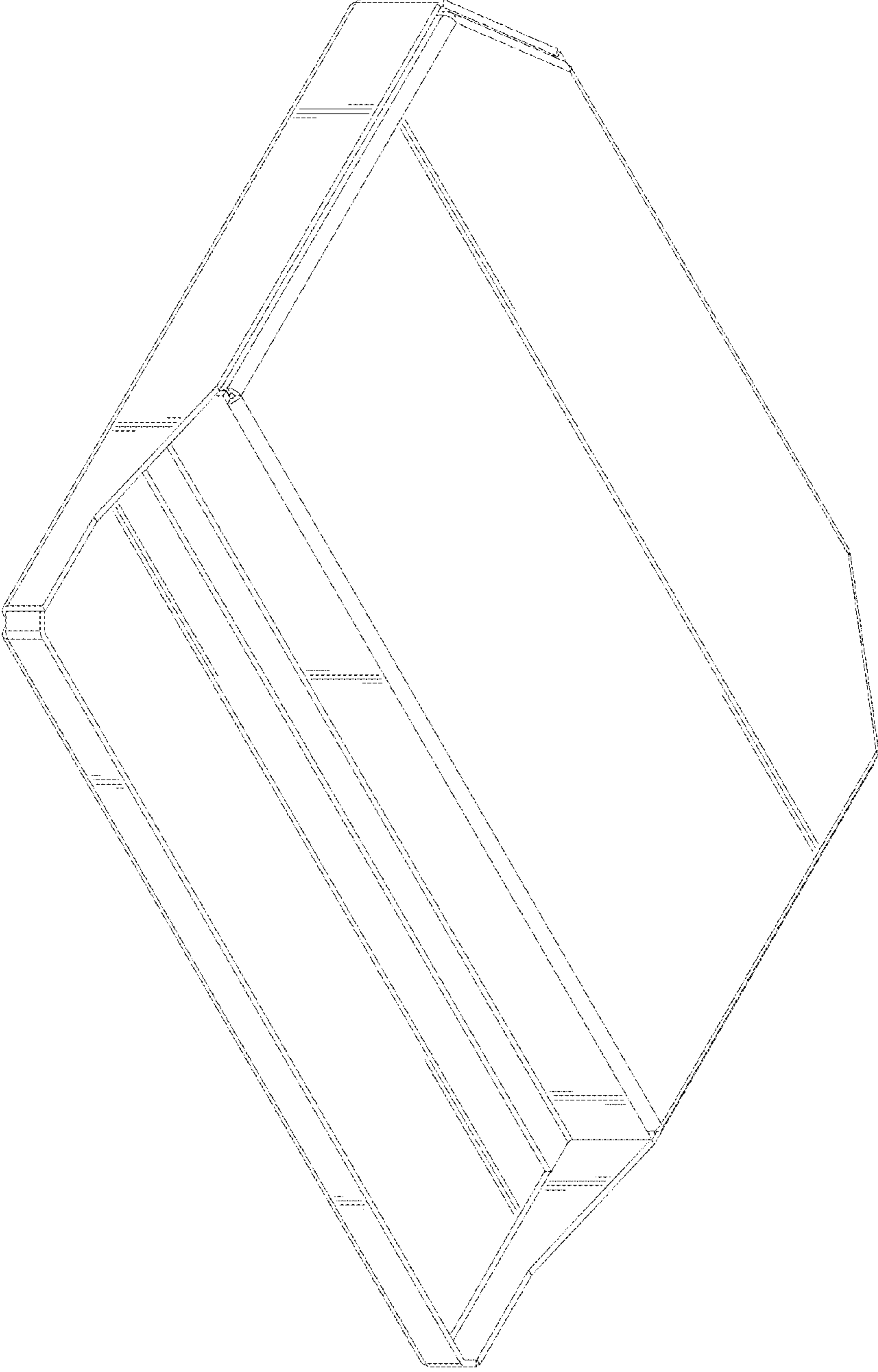


FIG.2

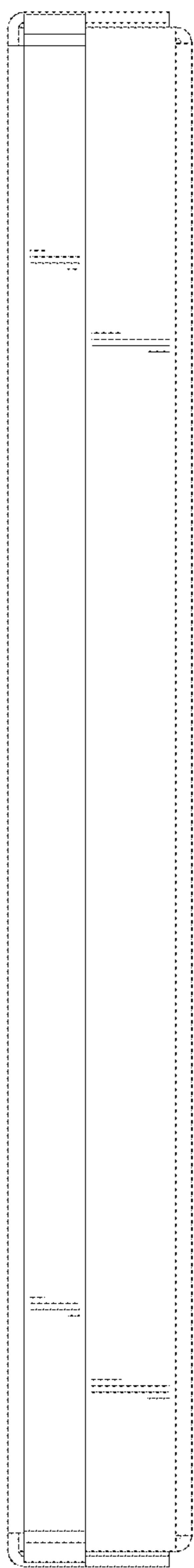


FIG. 3

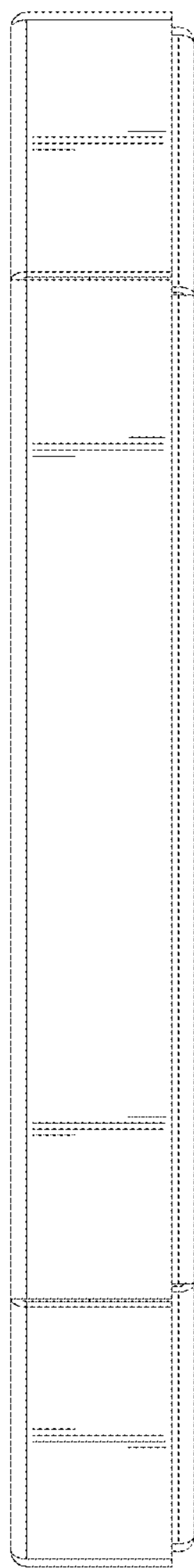


FIG. 4

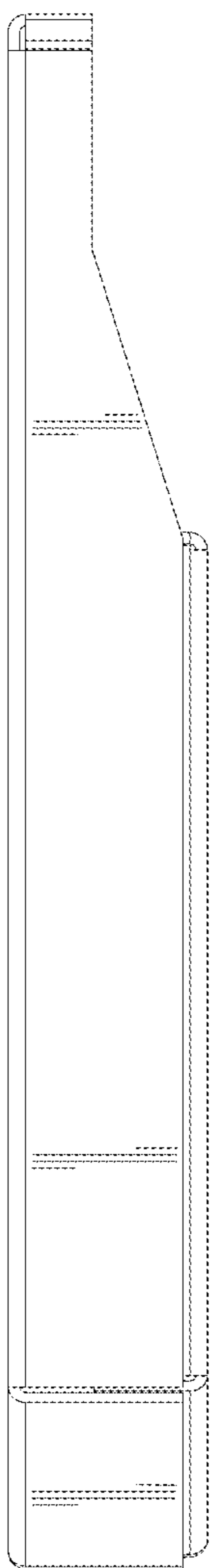


FIG. 5

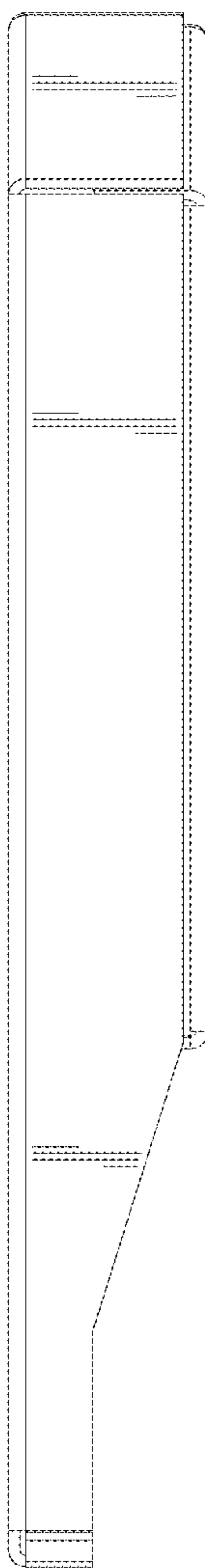


FIG. 6

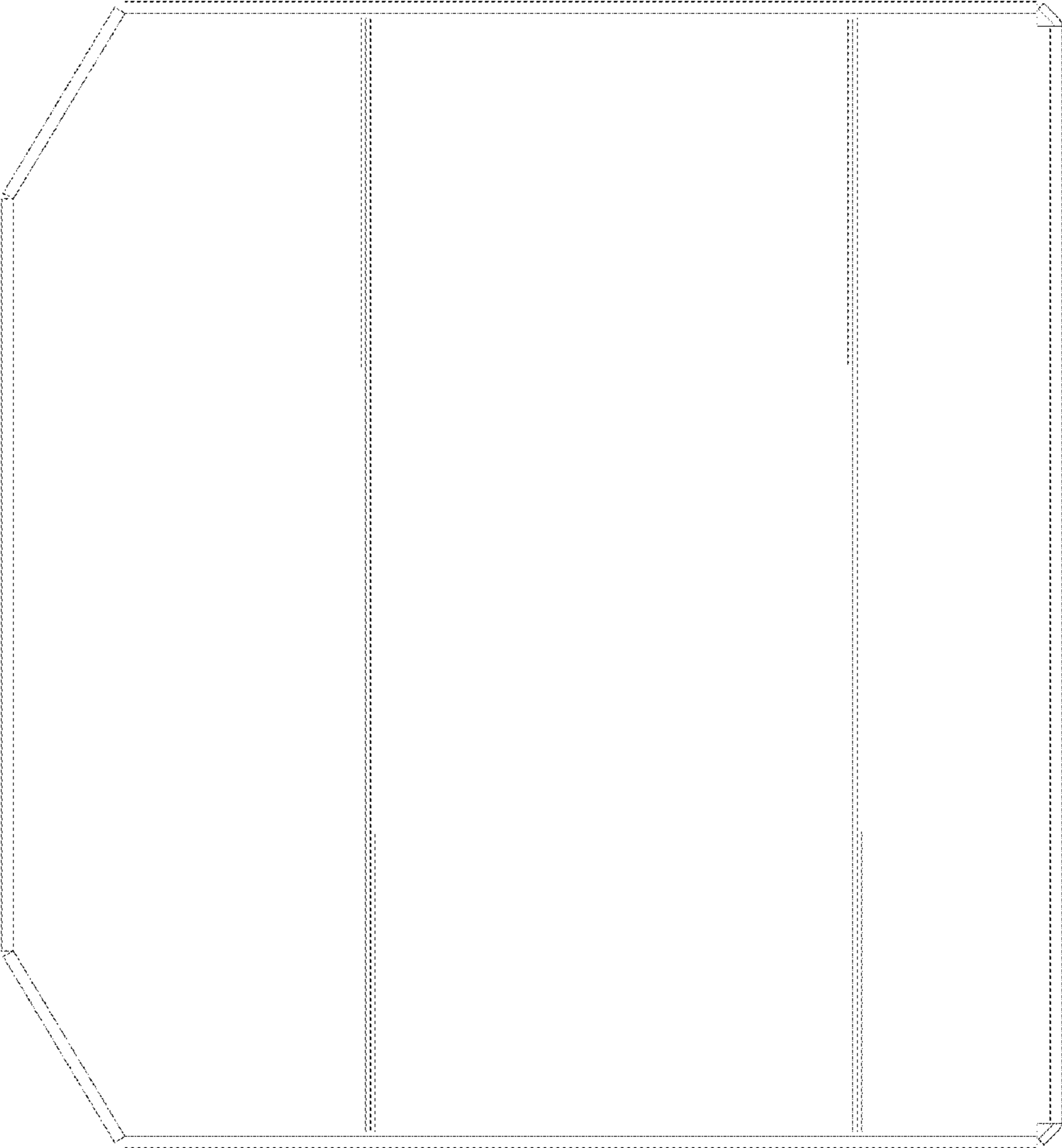


FIG.7

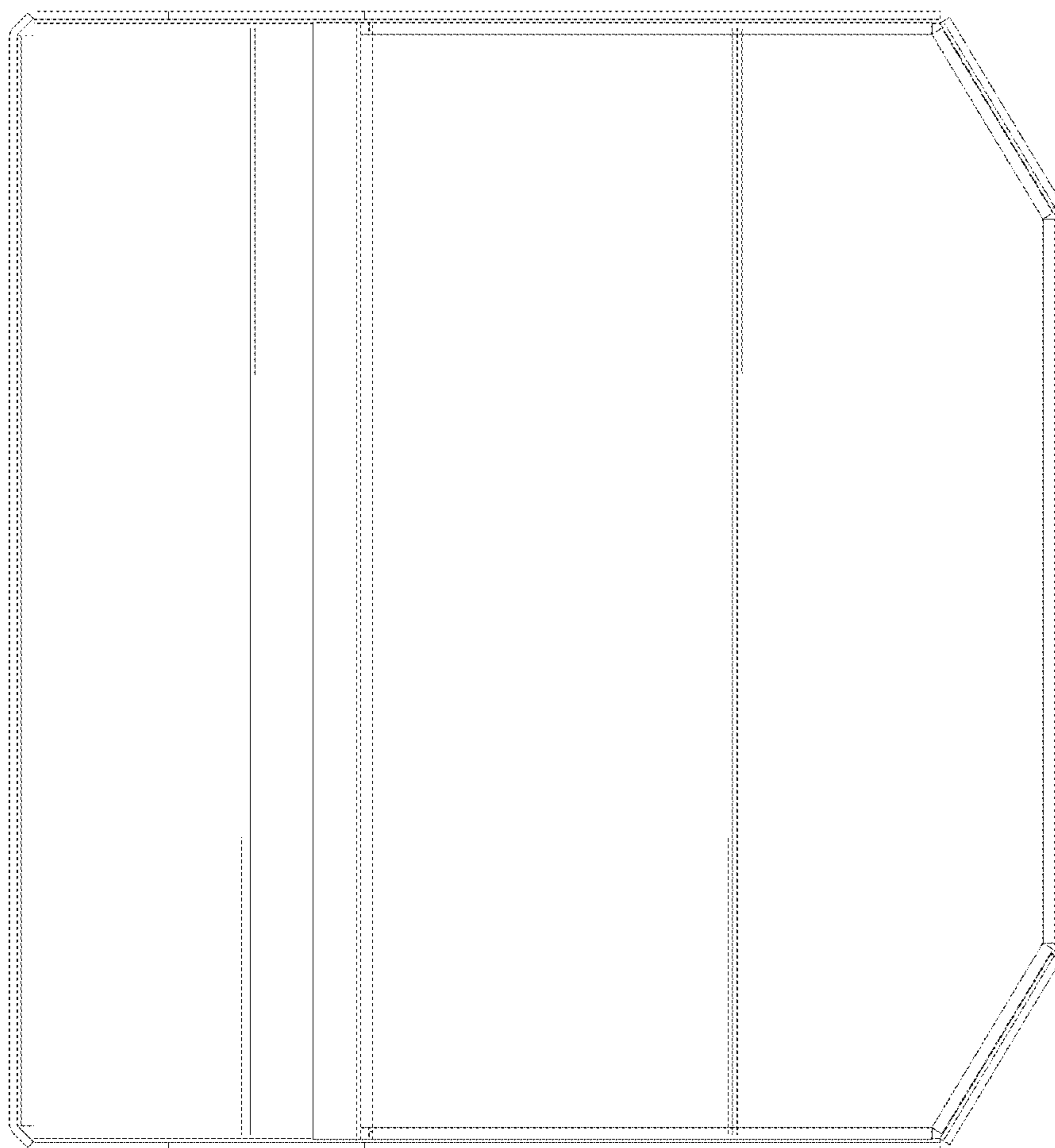


FIG. 8

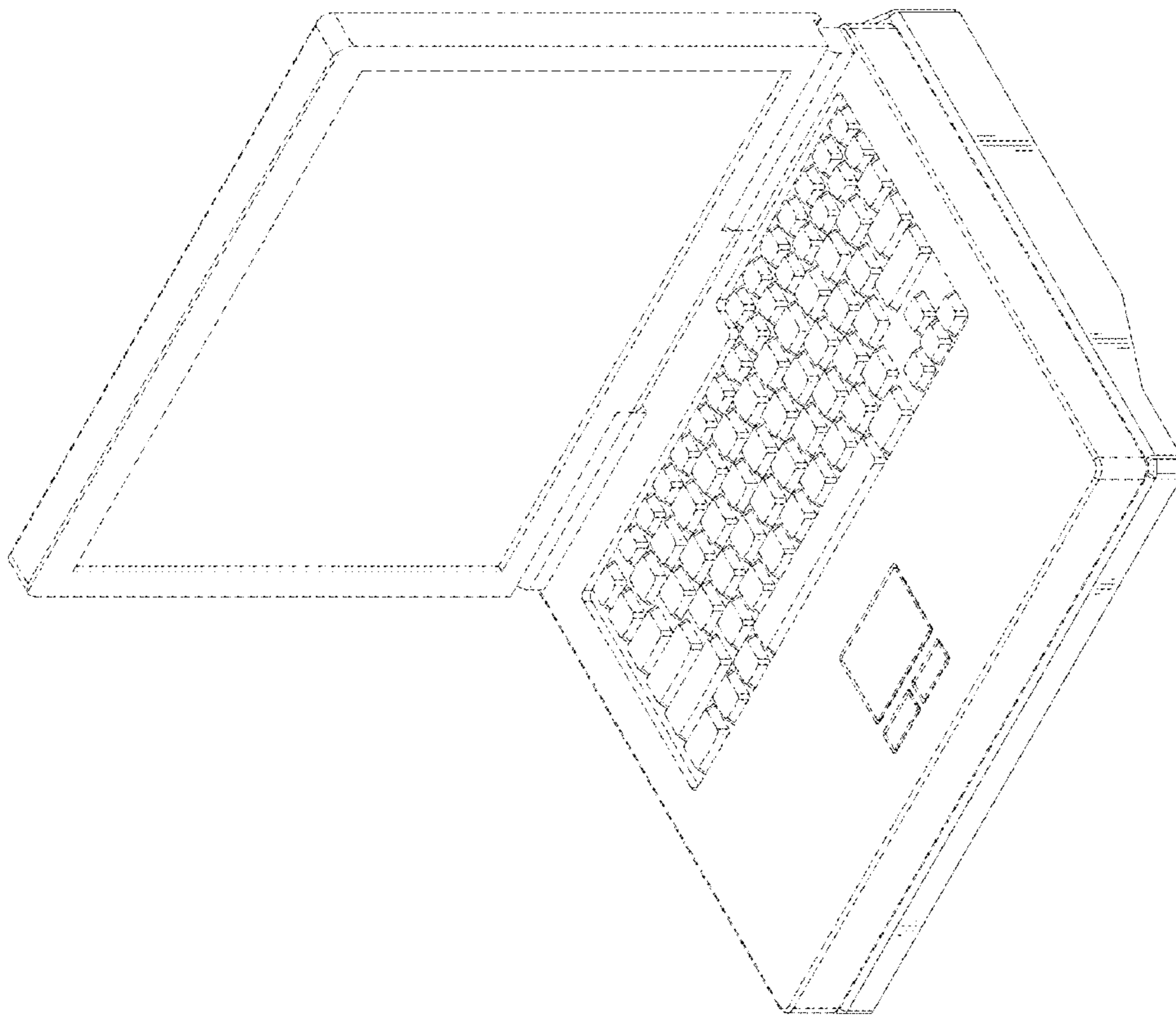


FIG.9

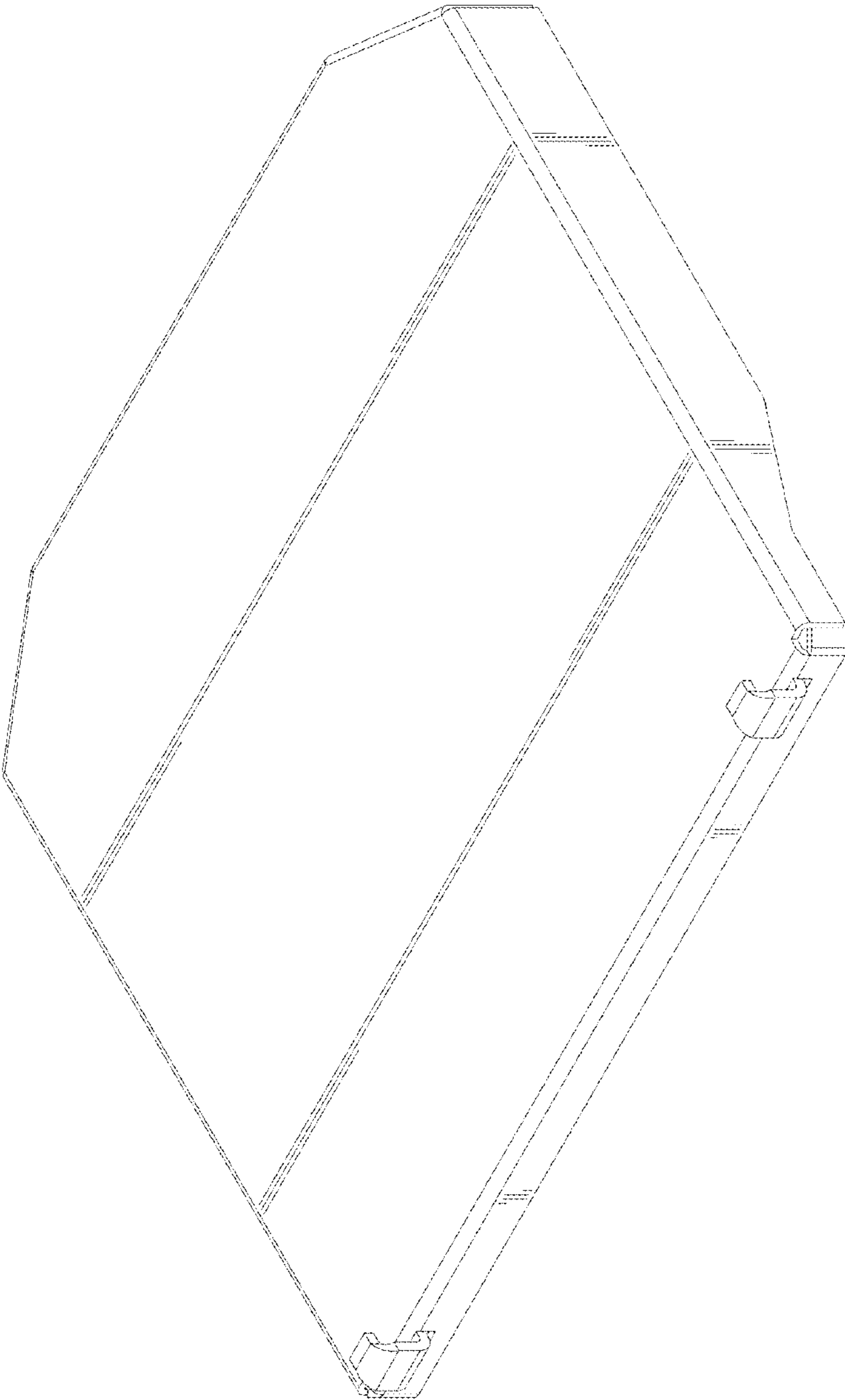


FIG. 10

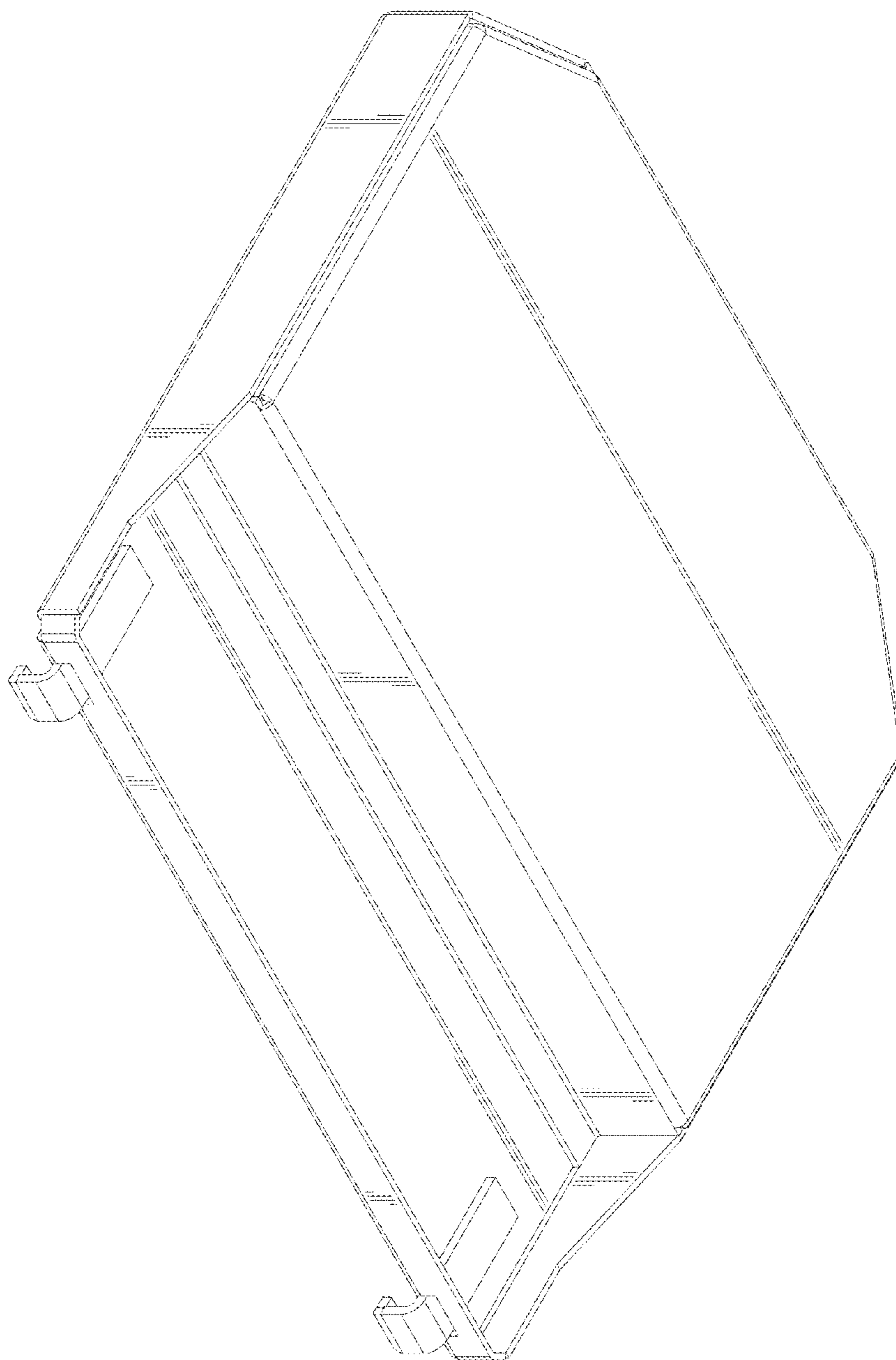


FIG.11

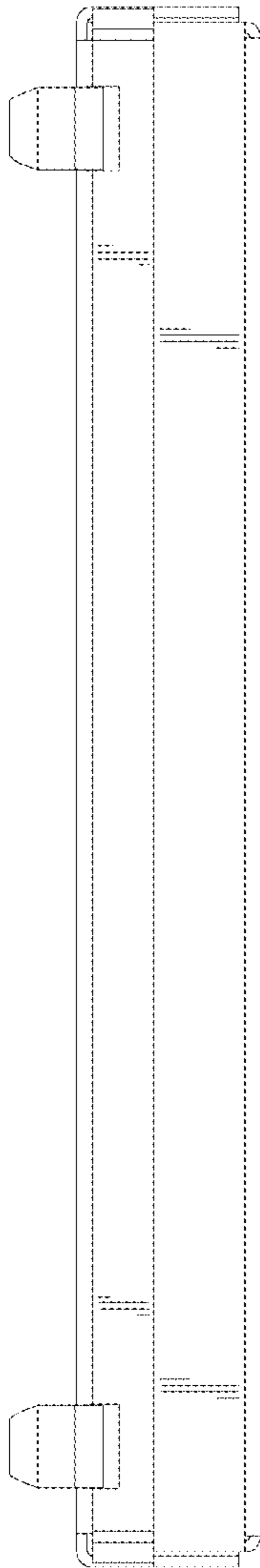


FIG. 12

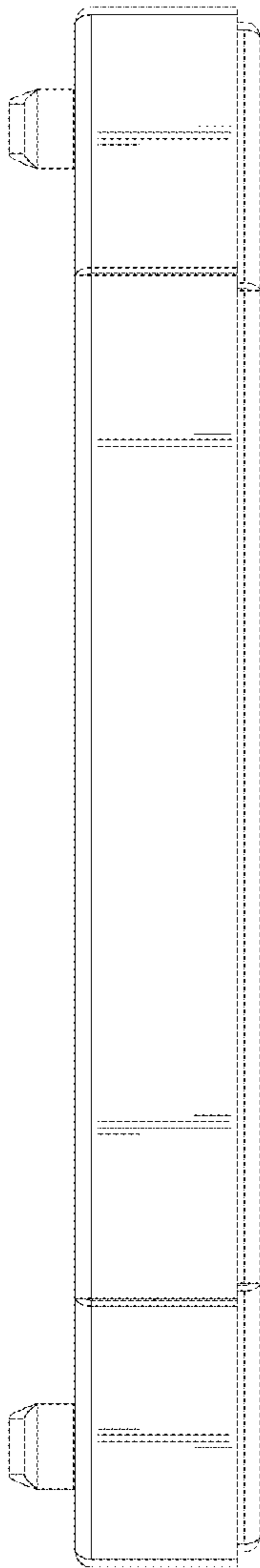


FIG. 13

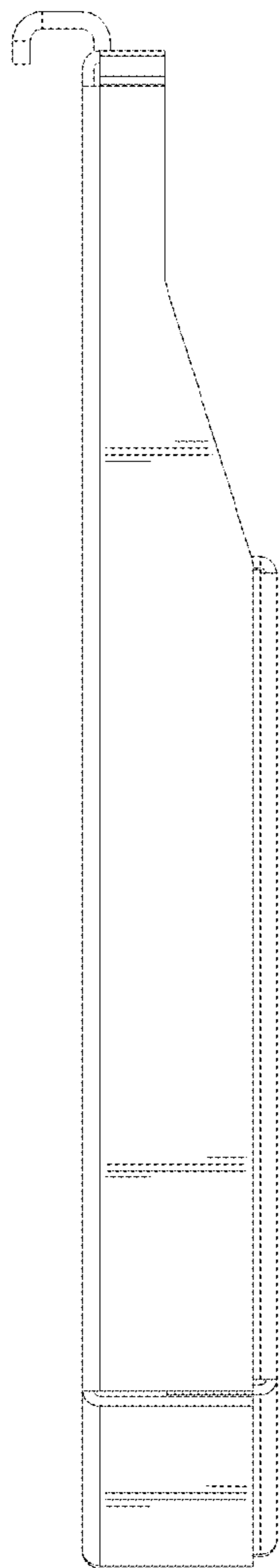


FIG. 14

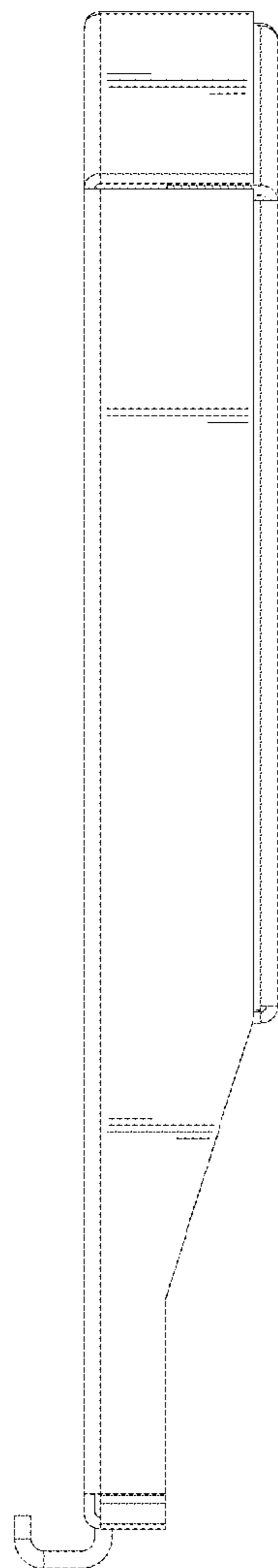


FIG. 15

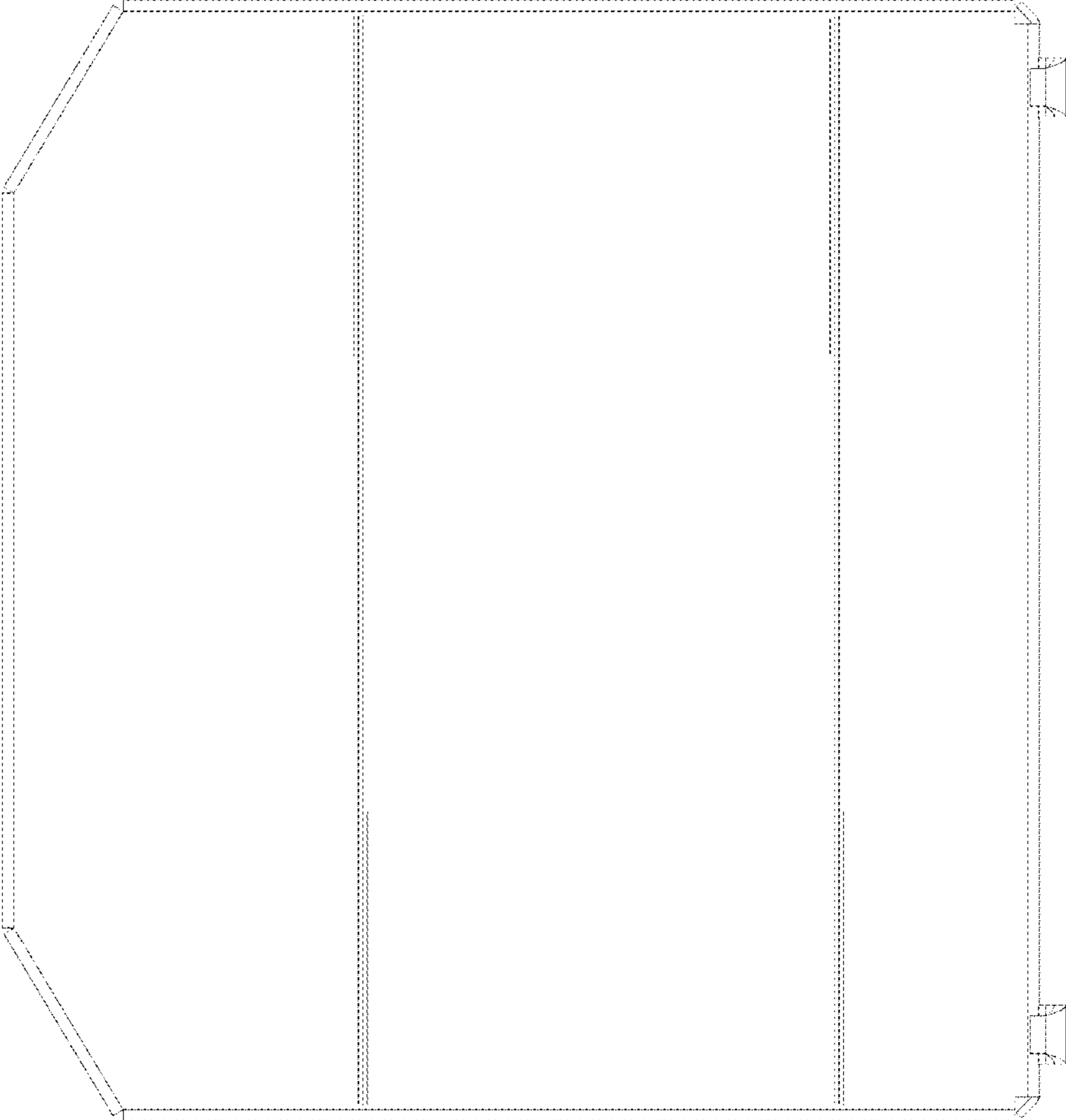


FIG.16

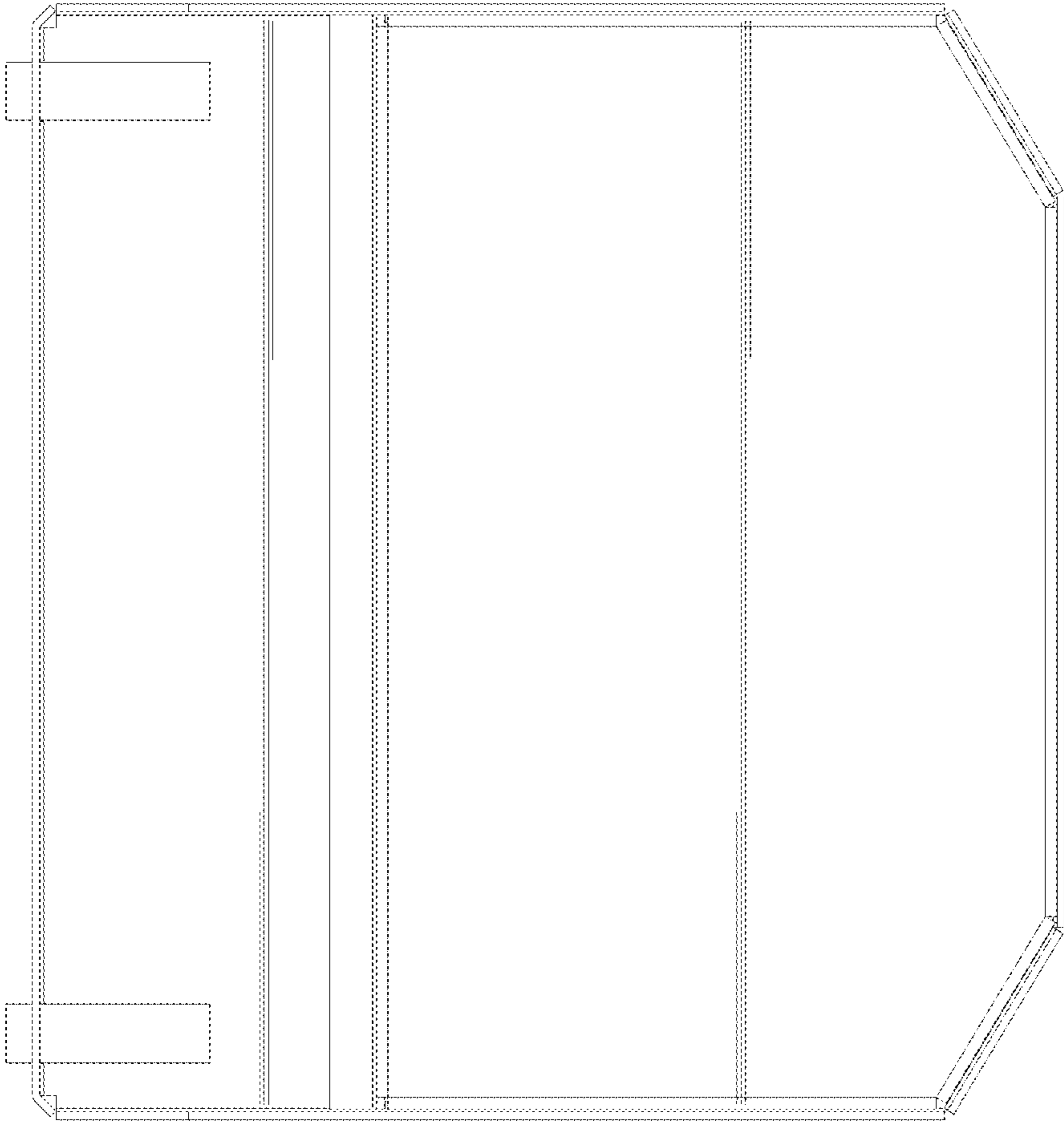


FIG.17

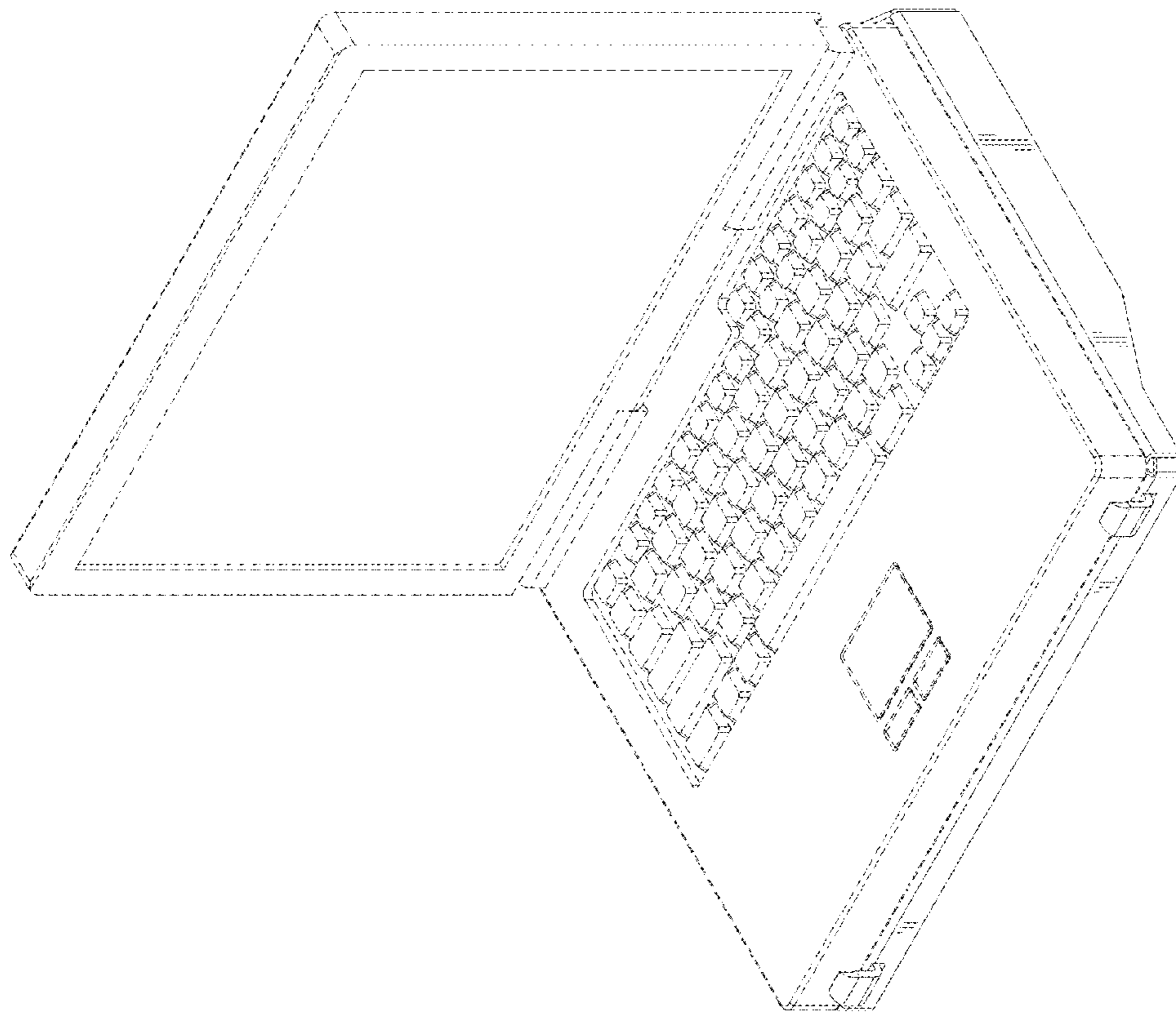


FIG. 18

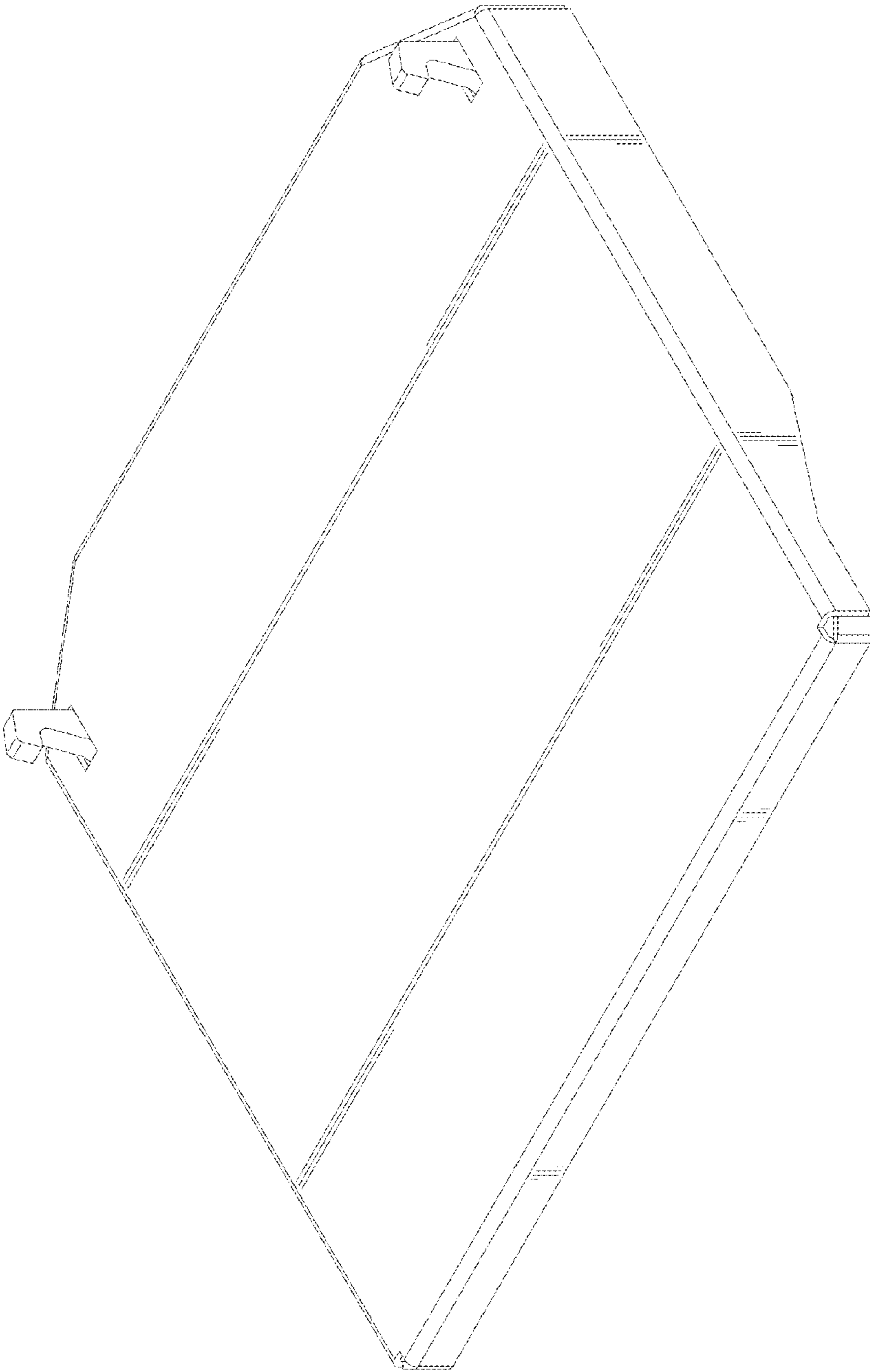


FIG. 19

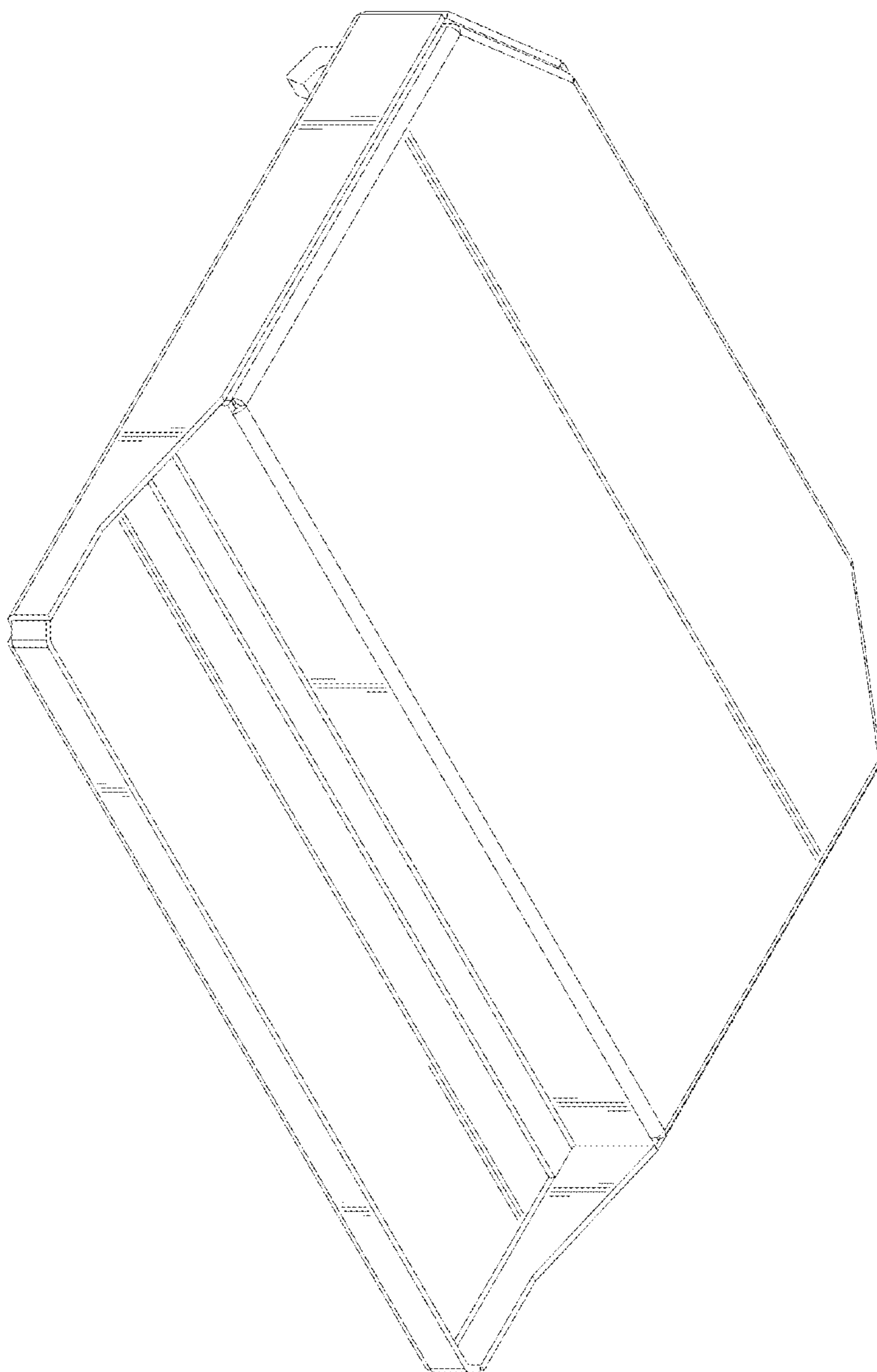


FIG.20

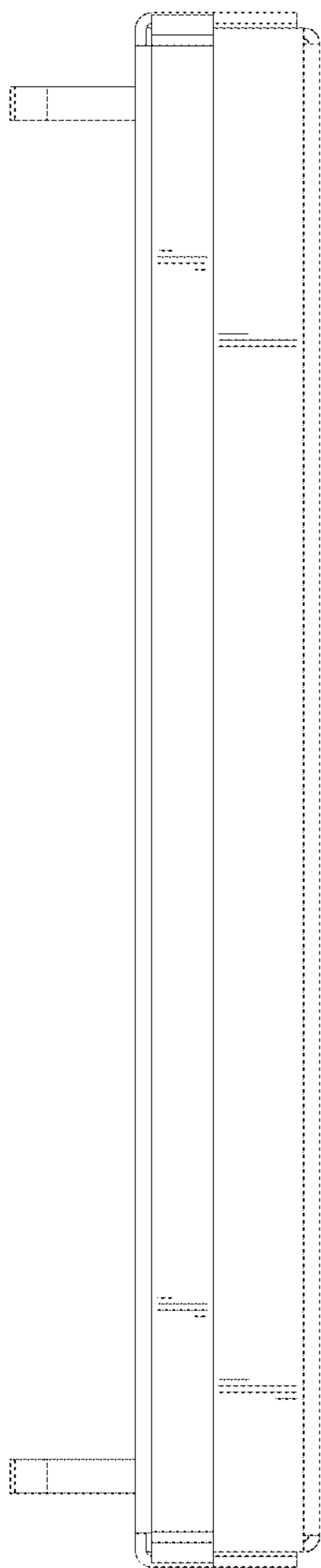


FIG. 21

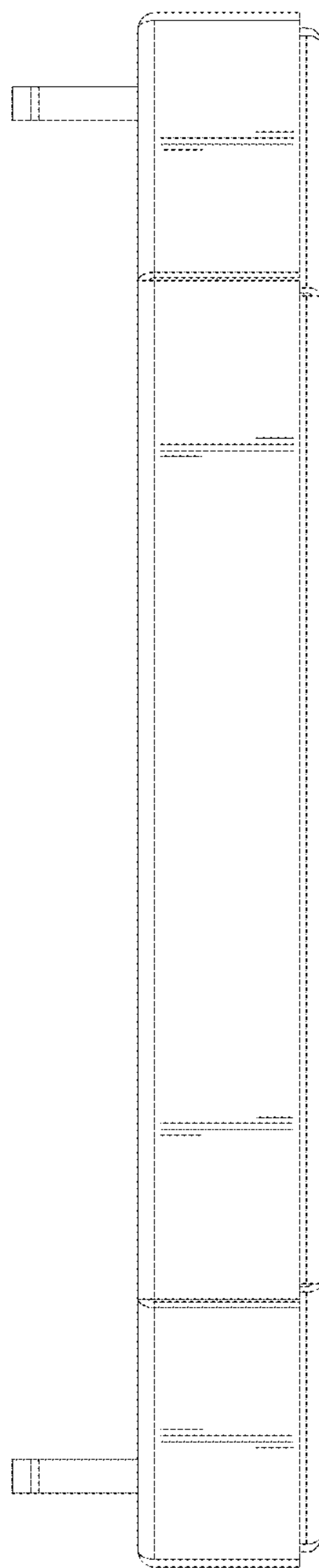


FIG. 22

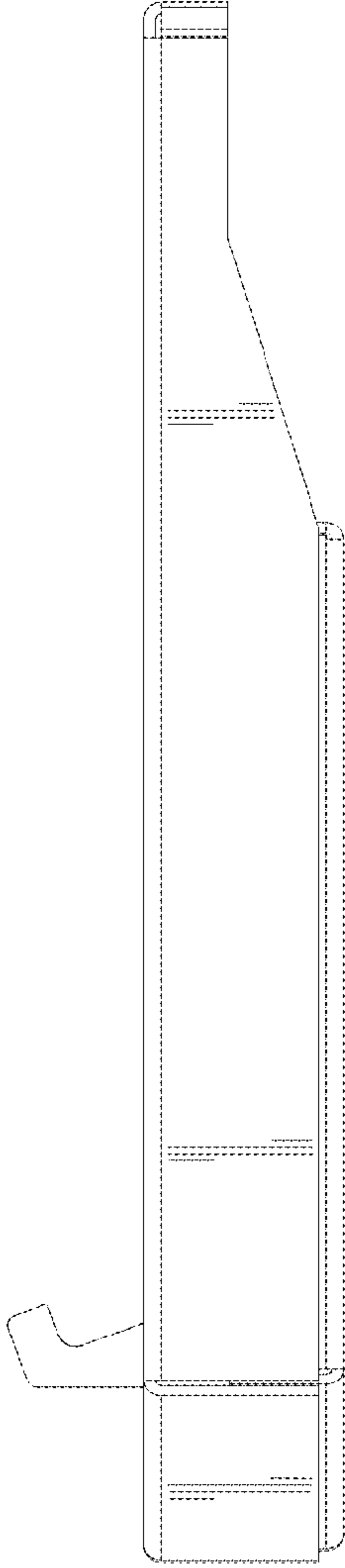


FIG. 23

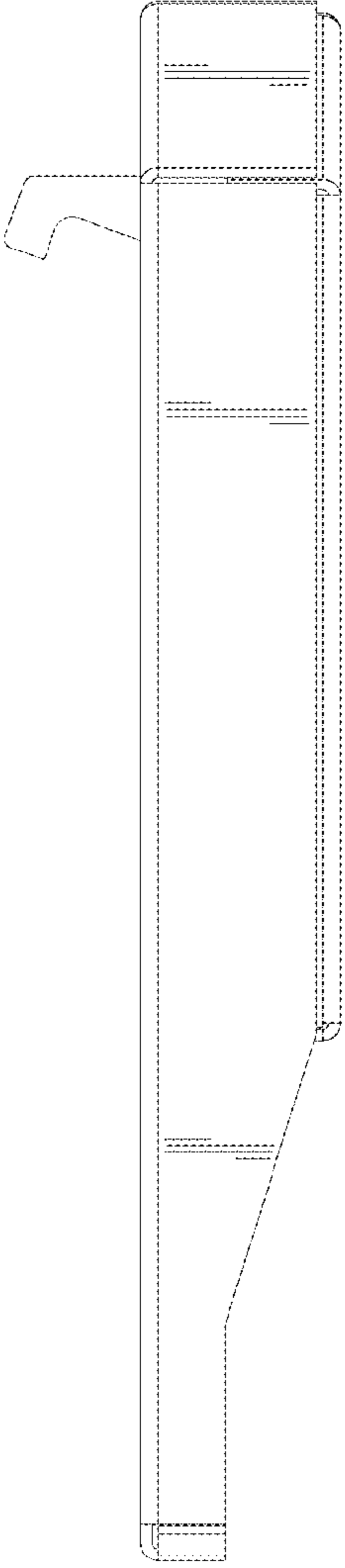


FIG. 24

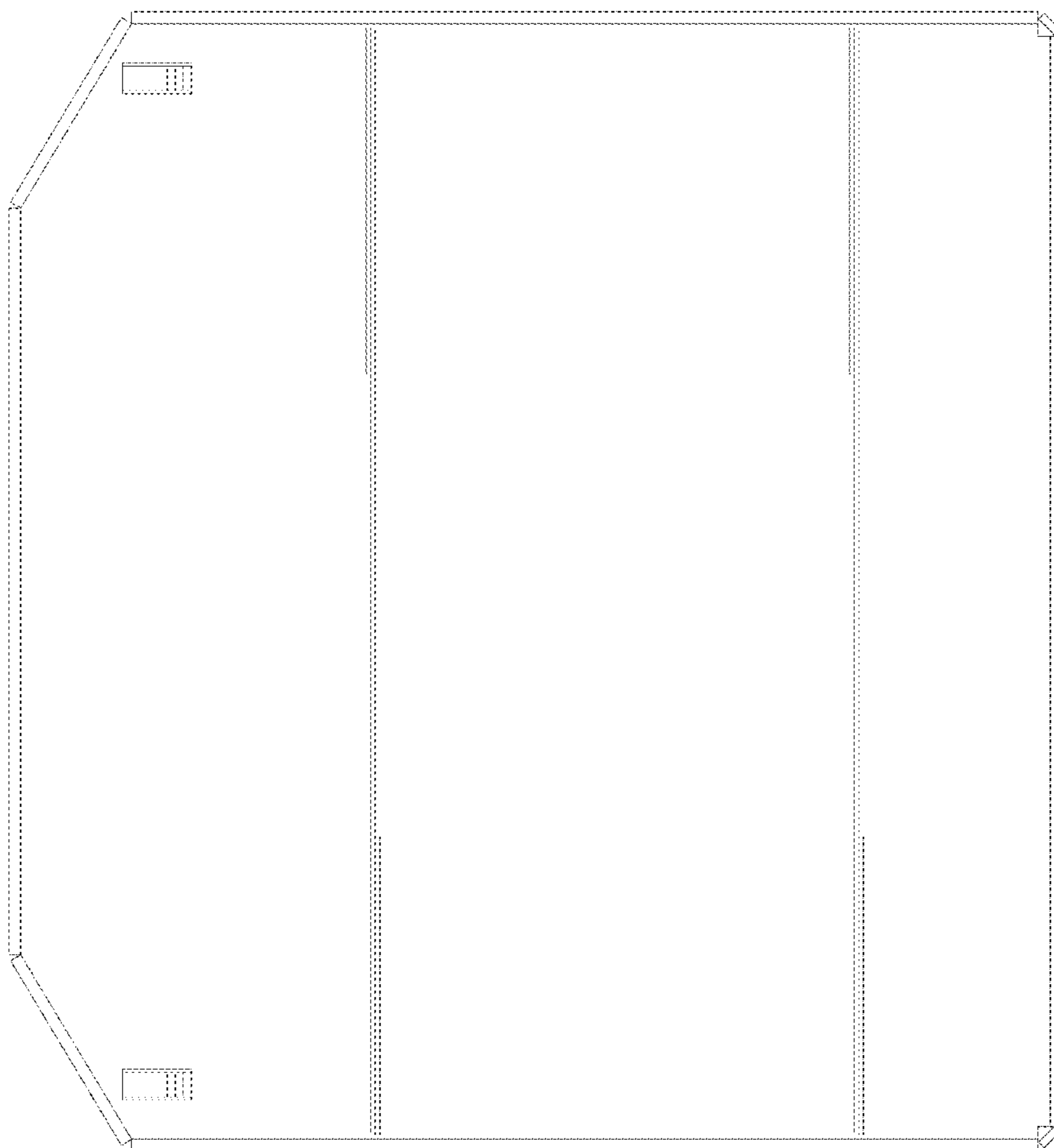


FIG. 25

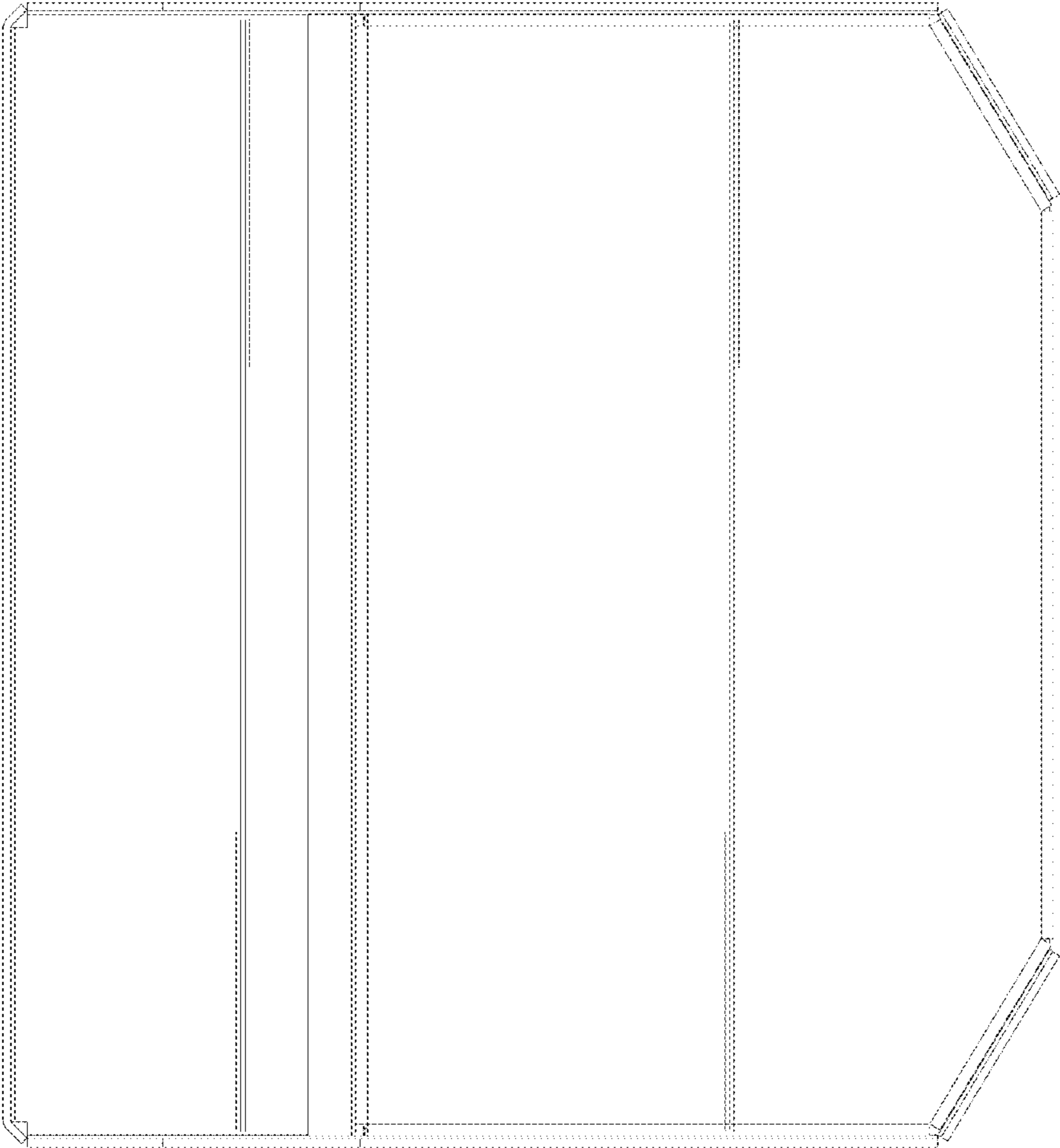


FIG.26

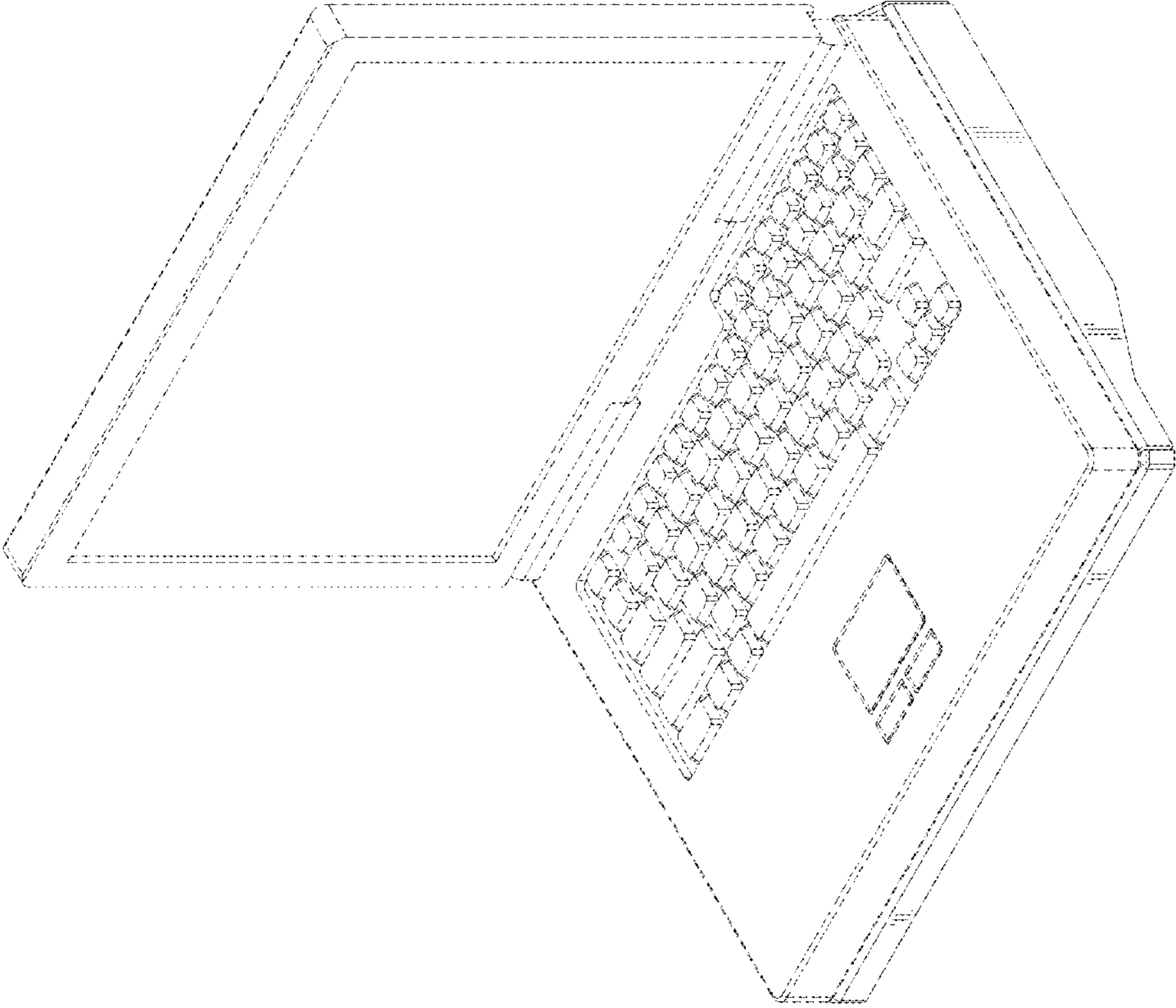


FIG. 27

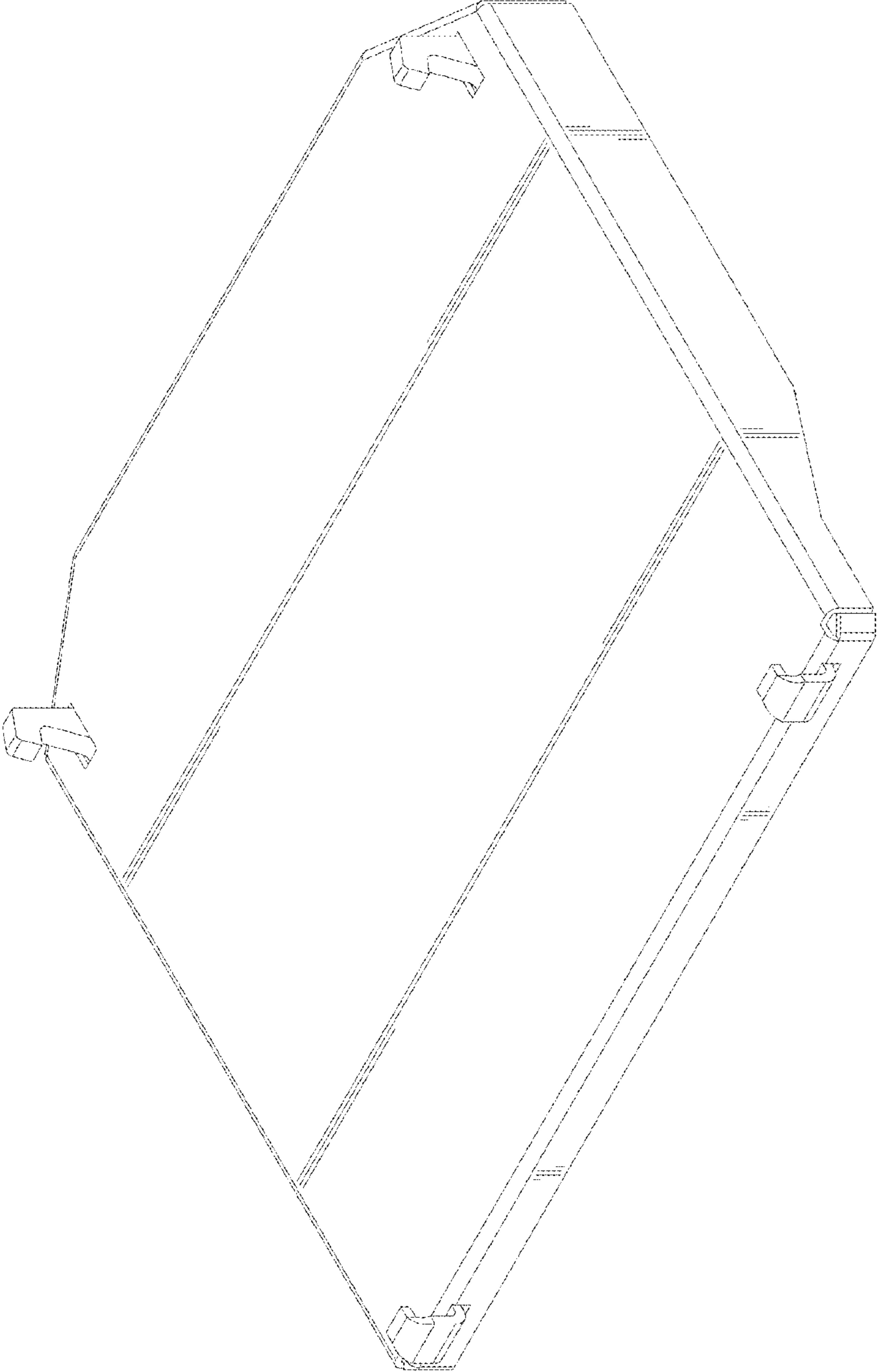


FIG.28

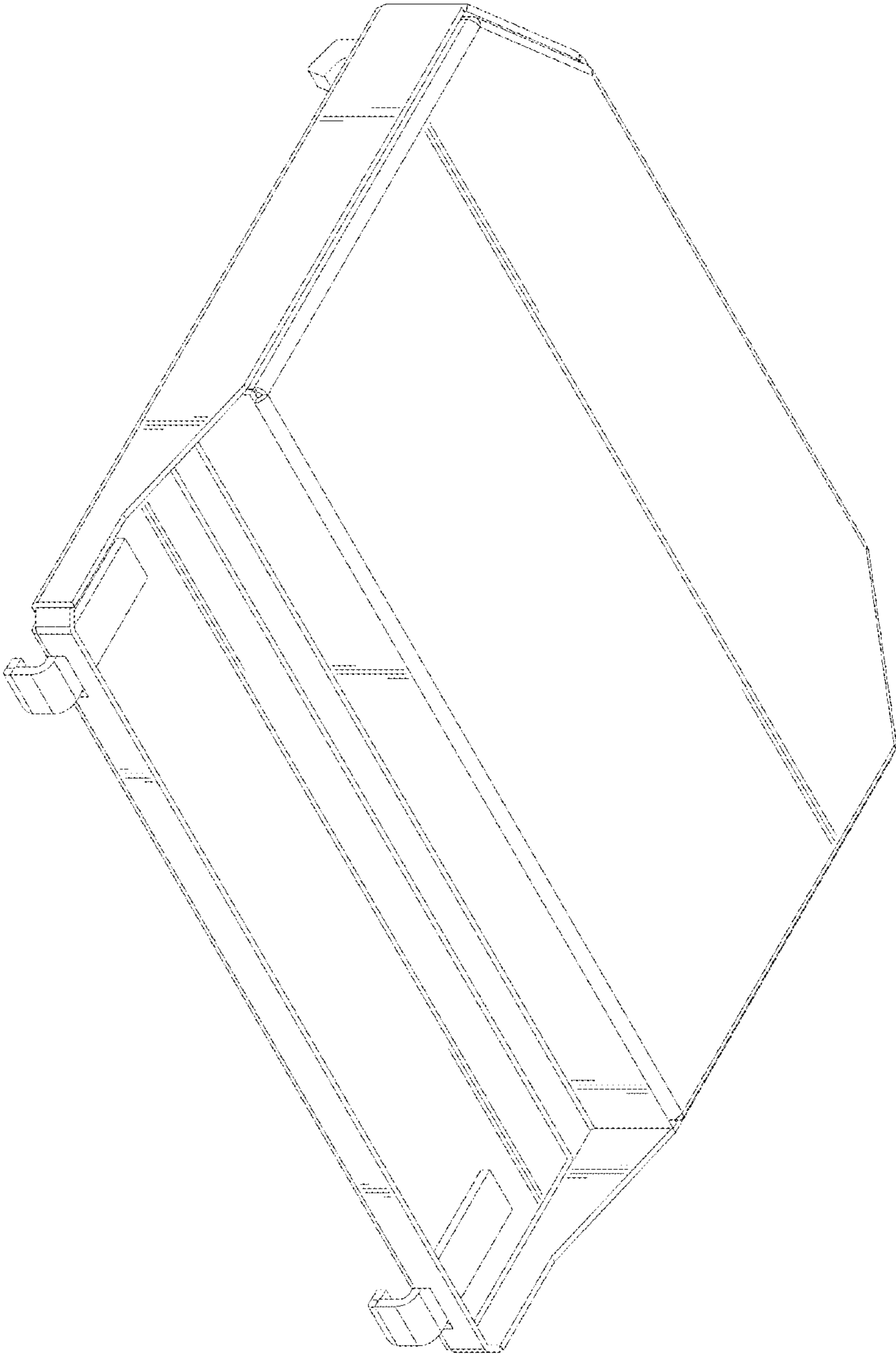


FIG. 29

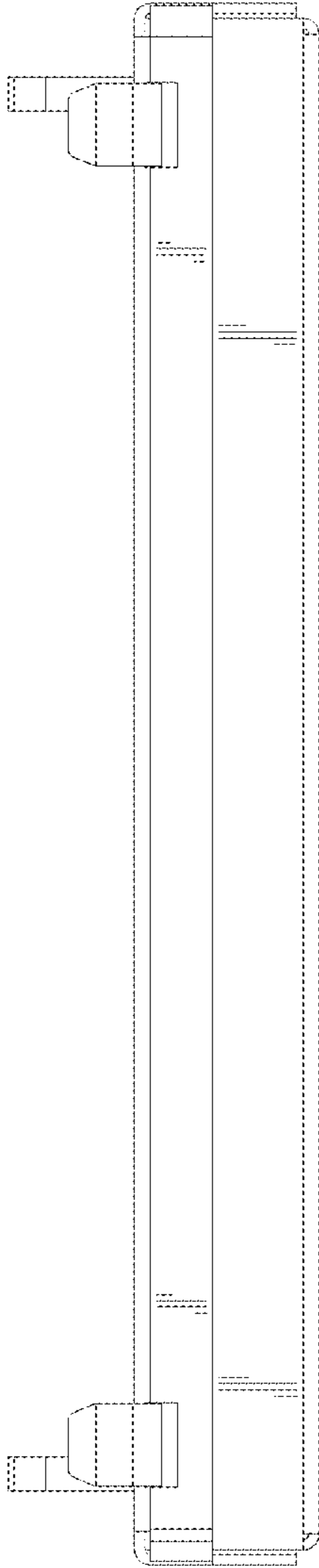


FIG. 30

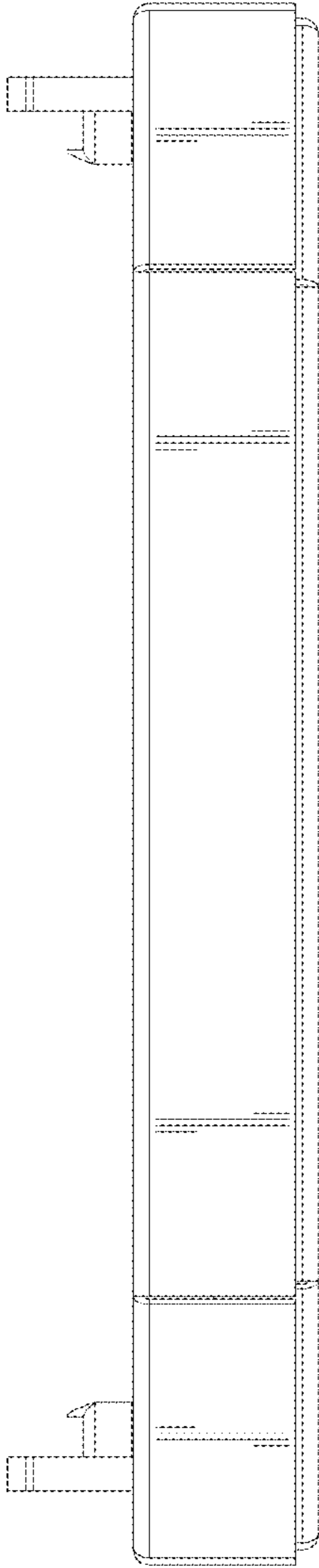


FIG. 31

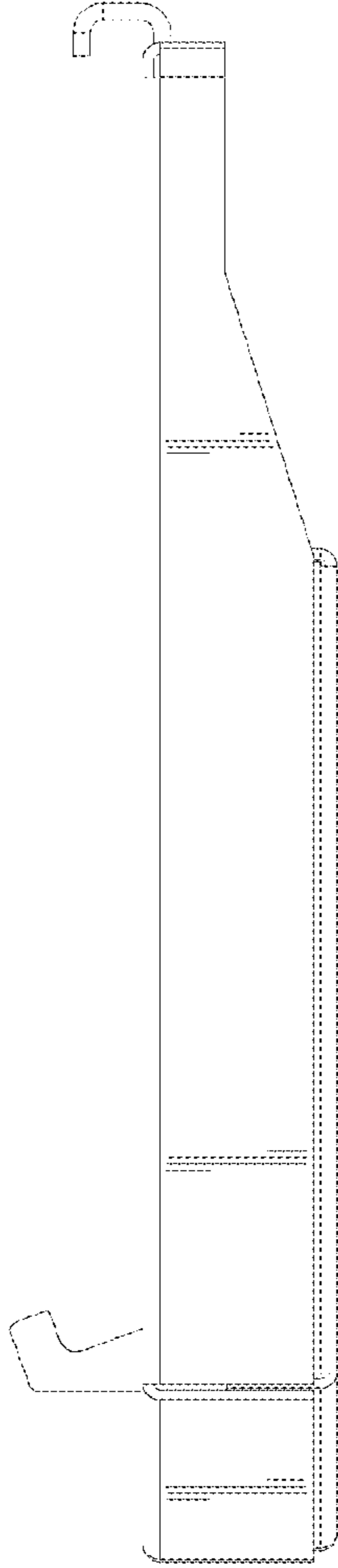


FIG. 32

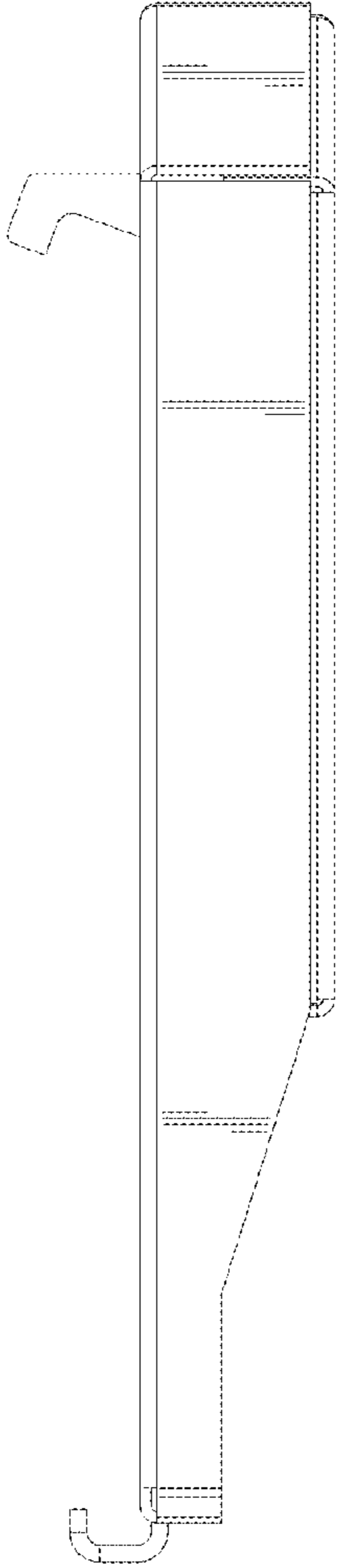


FIG. 33

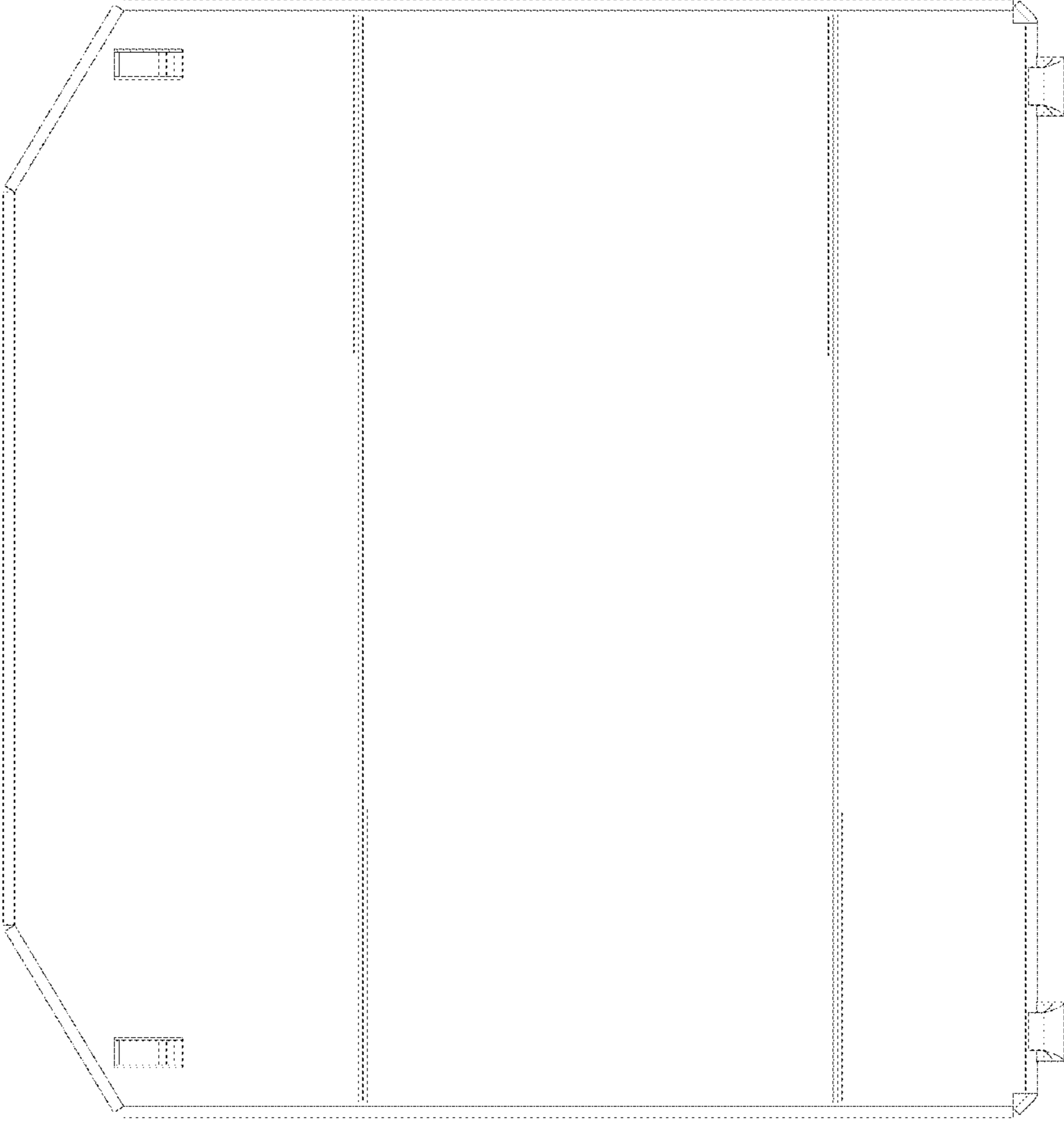


FIG.34

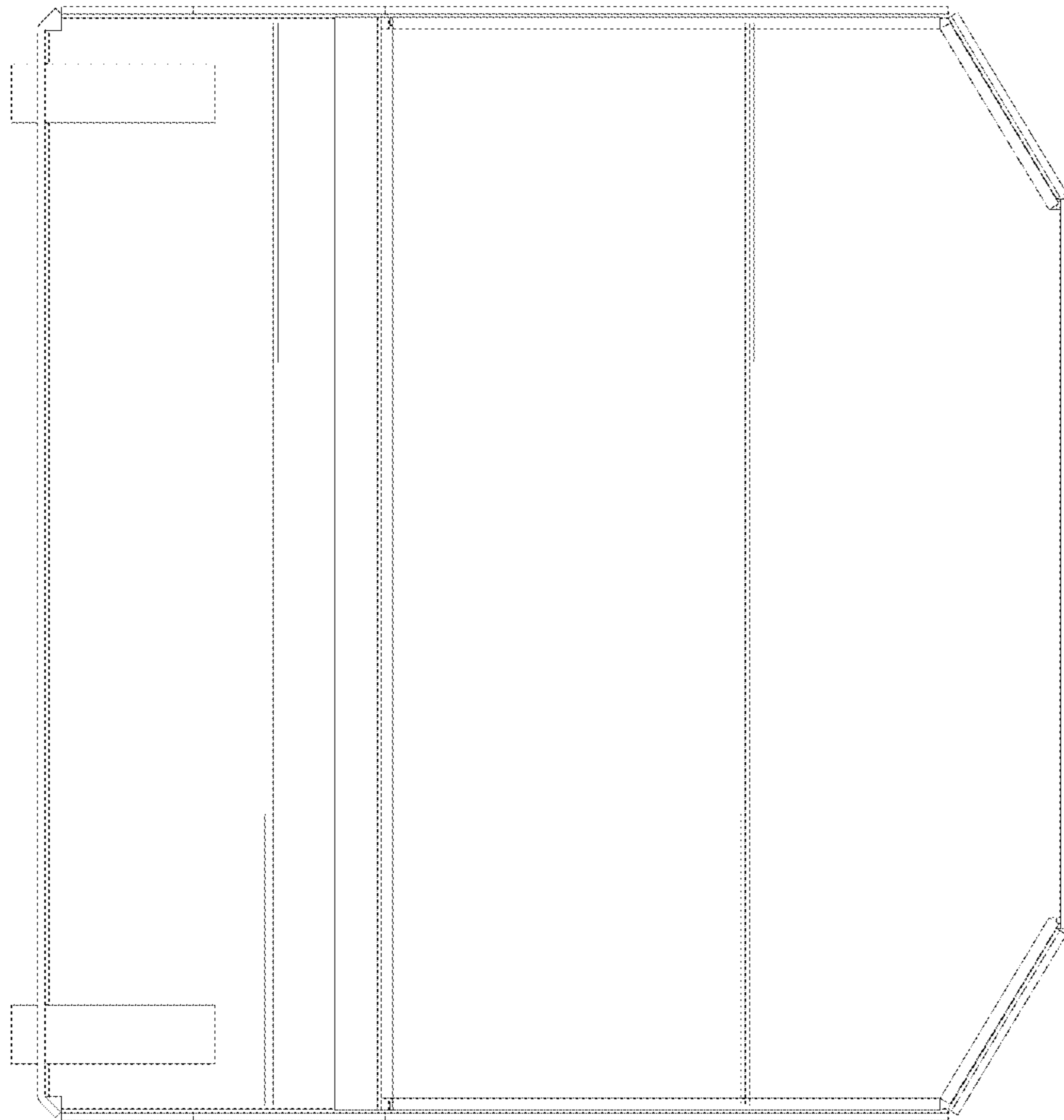


FIG.35

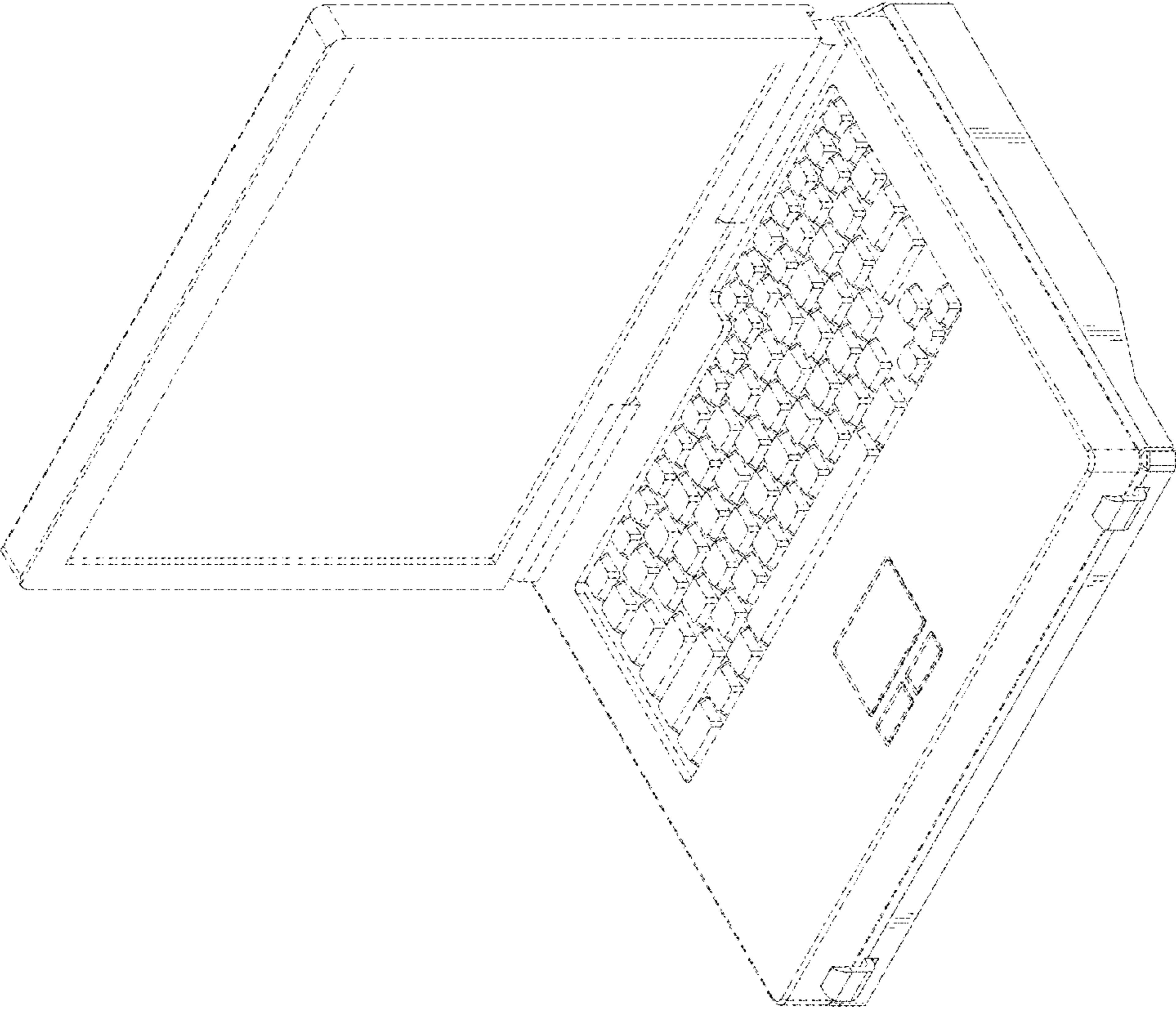


FIG.36