



US00D747320S

(12) **United States Design Patent**  
**Snyder et al.**

(10) **Patent No.:** **US D747,320 S**  
(45) **Date of Patent:** **\*\* Jan. 12, 2016**

(54) **CURVED SCREEN PROTECTOR FOR AN ELECTRONIC DEVICE**  
(71) Applicant: **3M INNOVATIVE PROPERTIES COMPANY**, St. Paul, MN (US)  
(72) Inventors: **Thomas M. Snyder**, St. Paul, MN (US); **Audrey A. Sherman**, St. Paul, MN (US); **Joan M. Noyola**, Maplewood, MN (US); **John P. Baetzold**, North St. Paul, MN (US)  
(73) Assignee: **3M Innovative Properties Company**, St. Paul, MN (US)  
(\*\*) Term: **14 Years**  
(21) Appl. No.: **29/459,554**  
(22) Filed: **Jul. 1, 2013**  
(51) **LOC (10) Cl.** ..... **14-02**  
(52) **U.S. Cl.**  
USPC ..... **D14/440**  
(58) **Field of Classification Search**  
USPC ..... D14/250, 251, 253, 341, 318, 240, 217, D14/496, 440, 203.3, 203.4, 203.5, 203.8; 455/575.1, 575.8; 312/240; D3/218, D3/215, 201, 294, 289, 900; 220/4.02; 248/309.1; 361/679.56; 379/426, 379/433.11, 455; 190/100; D21/469  
CPC ... G06F 1/1626; G06F 1/1633; G06F 1/1675; G06F 1/1679; G02F 1/1306; G02F 1/133; G02F 1/133308; G02F 1/153; G02F 1/1533; G02F 2001/133317; H04M 1/185; H04M 1/0252; H04B 1/3888  
See application file for complete search history.

(56) **References Cited**  
**U.S. PATENT DOCUMENTS**  
3,948,662 A 4/1976 Alston, Jr.  
D270,061 S \* 8/1983 Ackeret ..... D6/308  
(Continued)

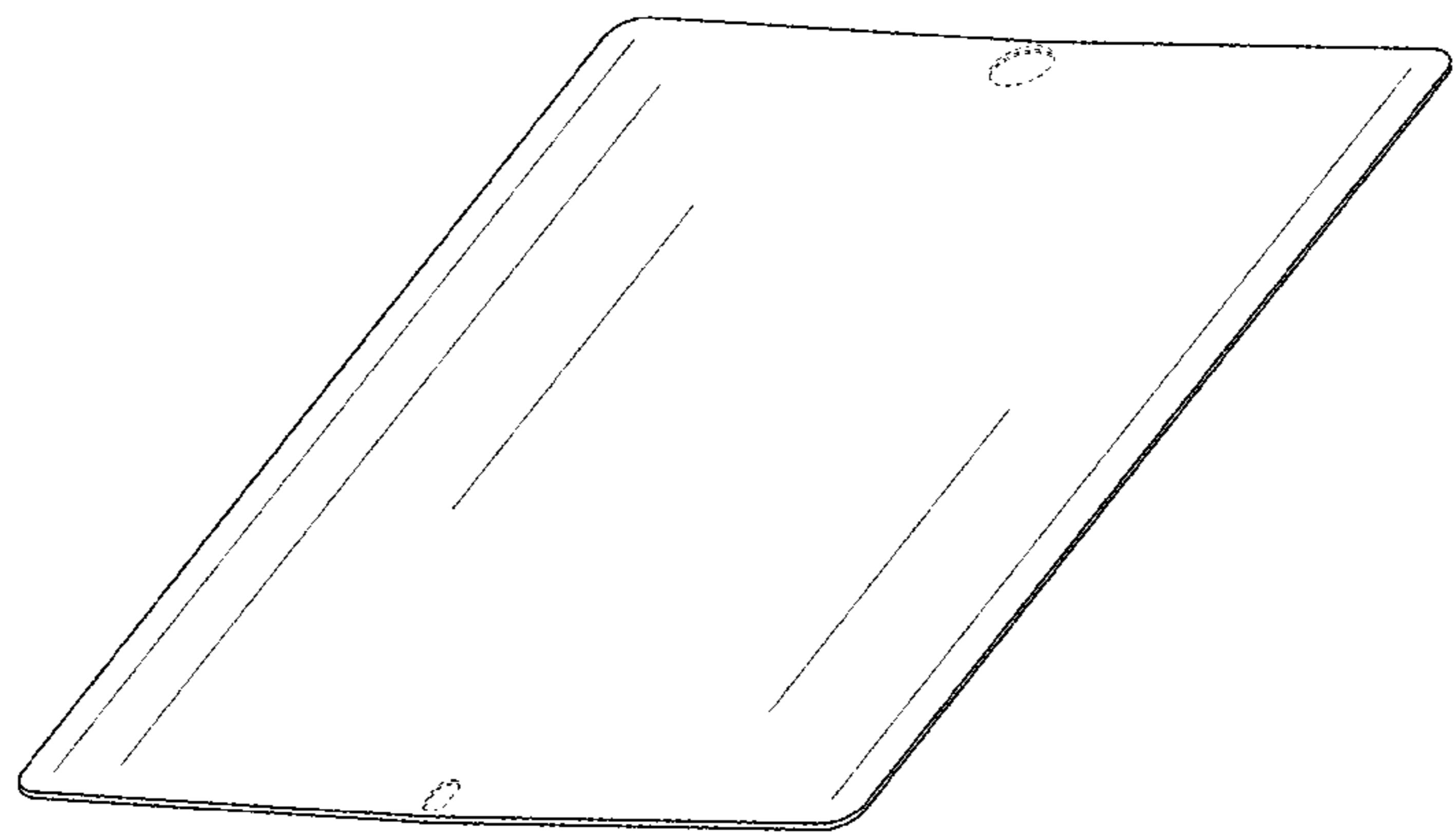
**FOREIGN PATENT DOCUMENTS**  
CN 1522024 8/2004  
CN 201203726 3/2009  
(Continued)

**OTHER PUBLICATIONS**  
PCT Application No. PCT/US2013/020210, filed Jan. 4, 2013.  
(Continued)  
*Primary Examiner* — Cynthia Underwood  
(74) *Attorney, Agent, or Firm* — Carolyn A. Fischer

(57) **CLAIM**  
The ornamental design for a curved screen protector for an electronic device, as shown and described.

**DESCRIPTION**  
FIG. 1 is a perspective view of an embodiment showing the new design for a curved screen protector for an electronic device;  
FIG. 2 is a plan view of a top edge and bottom edge of the curved screen protector of FIG. 1;  
FIG. 3 is a plan view of a front surface of the curved screen protector of FIG. 1;  
FIG. 4 is a plan view of a left-side edge and right-side edge of the curved screen protector of FIG. 1;  
FIG. 5 is a plan view of a back surface of the curved screen protector of FIG. 1;  
FIG. 6 is a perspective view of another embodiment of the curved screen protector for an electronic device;  
FIG. 7 is a plan view of a top edge and bottom edge of the curved screen protector of FIG. 6;  
FIG. 8 is a plan view of a front surface of the curved screen protector of FIG. 6;  
FIG. 9 is a plan view of a left-side edge and right-side edge of the curved screen protector of FIG. 6;  
FIG. 10 is a plan view of a back surface of the curved screen protector of FIG. 6;  
FIG. 11 is a perspective view of another embodiment of the curved screen protector for an electronic device;  
FIG. 12 is a plan view of a top edge and bottom edge of the curved screen protector of FIG. 11;  
FIG. 13 is a plan view of a front surface of the curved screen protector of FIG. 11;  
FIG. 14 is a plan view of a left-side edge and right-side edge of the curved screen protector of FIG. 11; and,  
FIG. 15 is a plan view of a back surface of the curved screen protector of FIG. 1.  
The broken lines in the drawings depict environmental subject matter/or parts of curved screen protector for an electronic device and form no part of the claimed design.

**1 Claim, 9 Drawing Sheets**



(56)

References Cited

U.S. PATENT DOCUMENTS

4,907,090 A 3/1990 Ananian  
 5,132,588 A 7/1992 Warman  
 5,386,964 A \* 2/1995 Mayo ..... 248/346.01  
 5,486,883 A 1/1996 Candido  
 5,668,612 A 9/1997 Hung  
 6,250,765 B1 6/2001 Murkami  
 6,469,752 B1 10/2002 Ishikawa  
 6,536,589 B2 3/2003 Chang  
 6,555,235 B1 4/2003 Aufderheide  
 6,559,902 B1 5/2003 Kusuda  
 6,592,950 B1 7/2003 Toshima  
 6,614,423 B1 9/2003 Wong  
 6,667,738 B2 12/2003 Murphy  
 6,721,019 B2 4/2004 Kono  
 6,750,922 B1 6/2004 Benning  
 6,777,055 B2 8/2004 Janssen  
 6,800,378 B2 10/2004 Hawa  
 6,864,882 B2 3/2005 Newton  
 6,879,319 B2 4/2005 Cok  
 6,995,976 B2 2/2006 Richardson  
 7,034,877 B2 4/2006 Schmidt  
 7,070,837 B2 7/2006 Ross  
 7,226,176 B1 6/2007 Huang  
 7,495,895 B2 2/2009 Carnevali  
 D602,488 S \* 10/2009 Jiang et al. .... D14/341  
 D643,433 S \* 8/2011 Hsieh et al. .... D14/440  
 8,044,942 B1 10/2011 Leonhard  
 D661,707 S \* 6/2012 Akana et al. .... D14/496  
 8,256,612 B1 \* 9/2012 Wang ..... 206/320  
 8,279,188 B2 \* 10/2012 Kusuda et al. .... 345/173  
 D674,803 S \* 1/2013 Westrup ..... D14/440  
 D676,449 S \* 2/2013 Probst et al. .... D14/440  
 D678,261 S \* 3/2013 Akana et al. .... D14/250  
 D678,262 S \* 3/2013 Prato ..... D14/250  
 D679,695 S \* 4/2013 Fahrendorff et al. .... D14/250  
 D680,090 S \* 4/2013 Serota ..... D14/126  
 D686,628 S \* 7/2013 Hall ..... D14/440  
 D689,054 S \* 9/2013 Snyder ..... D14/440  
 D689,475 S \* 9/2013 Andre et al. .... D14/250  
 D695,410 S \* 12/2013 Becker ..... D24/186  
 D703,633 S \* 4/2014 Akana et al. .... D14/138 R  
 2001/0038493 A1 \* 11/2001 Watanabe et al. .... 359/609  
 2002/0101411 A1 8/2002 Chang  
 2002/0122925 A1 9/2002 Liu  
 2002/0154099 A1 10/2002 Oh  
 2002/0195910 A1 12/2002 Hus

2003/0012936 A1 1/2003 Draheim  
 2003/0087054 A1 5/2003 Janssen  
 2003/0110613 A1 6/2003 Ross  
 2004/0004605 A1 1/2004 David  
 2004/0109096 A1 6/2004 Anderson  
 2004/0227722 A1 11/2004 Friberg  
 2004/0246386 A1 12/2004 Thomas  
 2005/0110772 A1 \* 5/2005 Kong et al. .... 345/174  
 2006/0114245 A1 6/2006 Masters  
 2007/0181456 A1 8/2007 Kusuda  
 2008/0030631 A1 2/2008 Gallagher  
 2008/0055258 A1 3/2008 Sauers  
 2008/0062147 A1 3/2008 Hotelling  
 2008/0302456 A1 12/2008 Cook  
 2010/0026646 A1 2/2010 Xiao  
 2010/0092713 A1 4/2010 Bullard  
 2010/0102197 A1 4/2010 McIntyre  
 2010/0110629 A1 \* 5/2010 Dietz et al. .... 361/679.55  
 2010/0164836 A1 7/2010 Liberatore  
 2010/0208352 A1 8/2010 Onozawa  
 2010/0238119 A1 9/2010 Dubrovsky  
 2010/0245273 A1 9/2010 Hwang  
 2010/0270189 A1 10/2010 Padersen, II  
 2011/0157056 A1 6/2011 Karpfinger  
 2011/0279383 A1 11/2011 Wilson  
 2011/0285932 A1 11/2011 Park  
 2012/0074271 A1 \* 3/2012 Goetz ..... 248/121  
 2012/0183712 A1 7/2012 Leonhard  
 2012/0183713 A1 7/2012 Leonhard

FOREIGN PATENT DOCUMENTS

CN	201397689	2/2010
DE	19808535	9/1999
EP	1471415	10/2004
EP	1548691	6/2005
GB	2449899	12/2008
JP	2002-328613	11/2002
TW	200700793	1/2007
TW	201027992	7/2010
TW	M386524 U	8/2010
WO	03/052678	6/2003

OTHER PUBLICATIONS

Design U.S. Appl. No. 29/416,648, filed Mar. 26, 2012.  
 Moshi—iVisor XT for iPad, Crystal Clear iPad Screen Protector—3  
 pages (undated).

\* cited by examiner

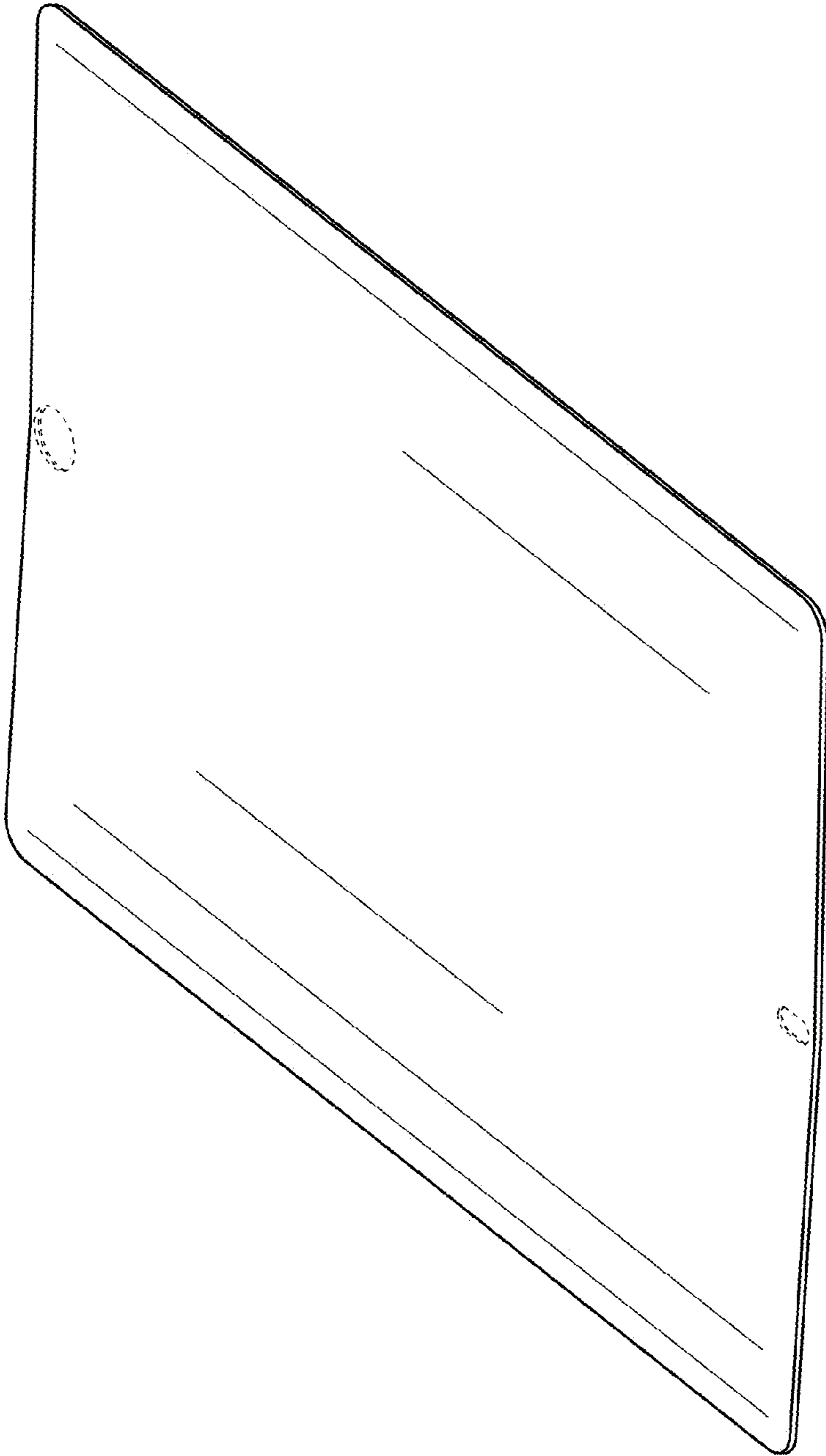
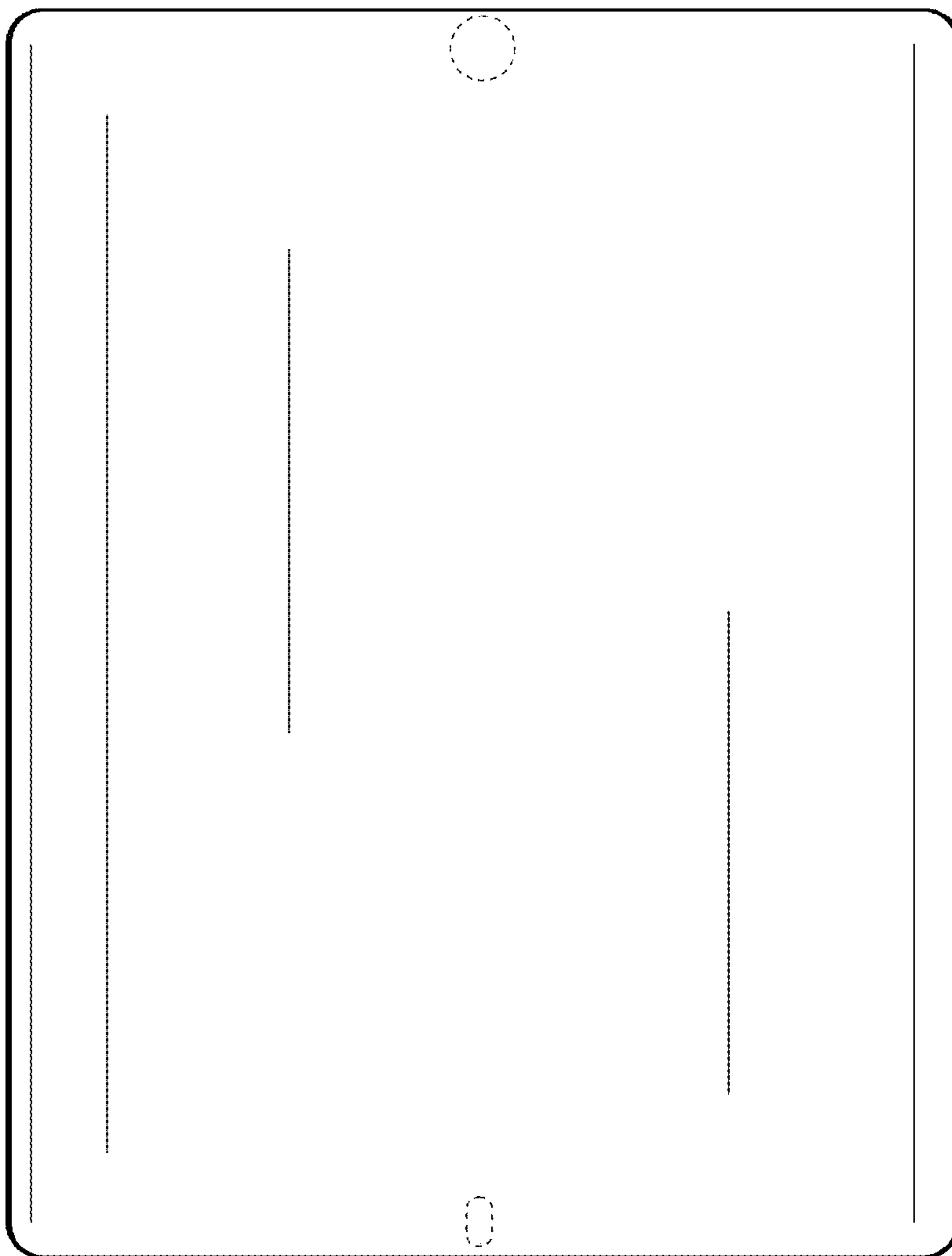


FIG. 1



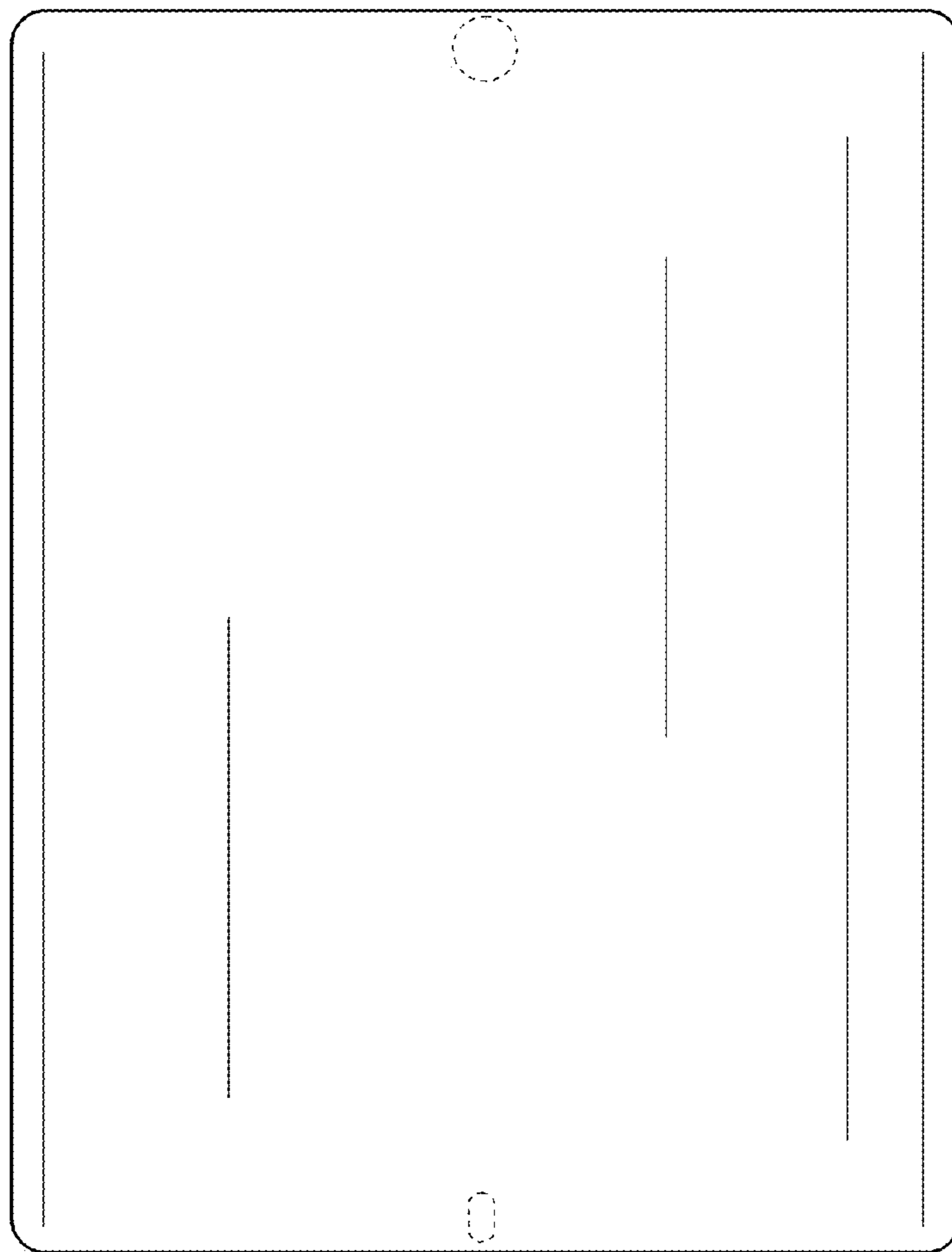
*FIG. 2*



*FIG. 3*



*FIG. 4*



*FIG. 5*

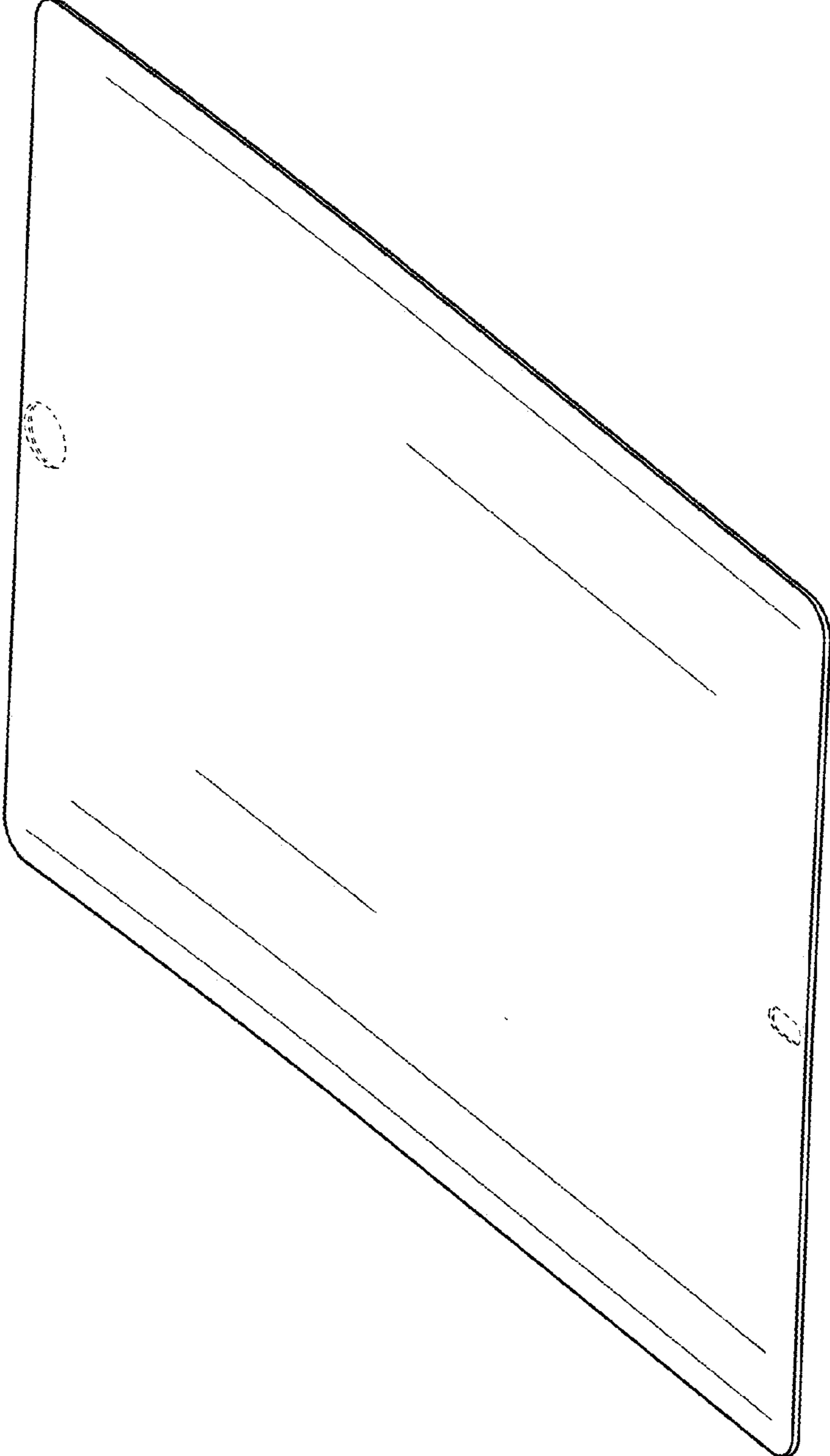
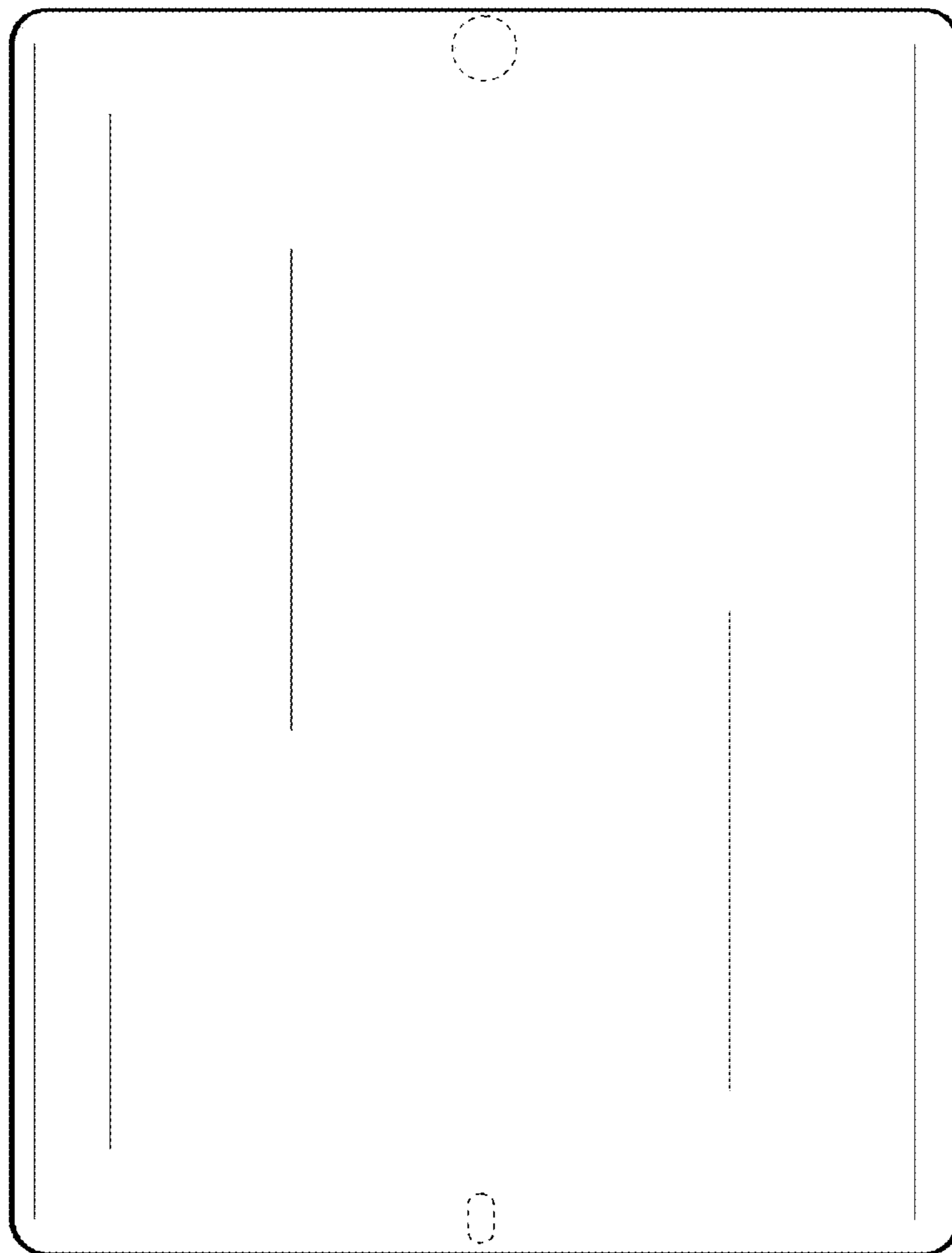


FIG. 6

---

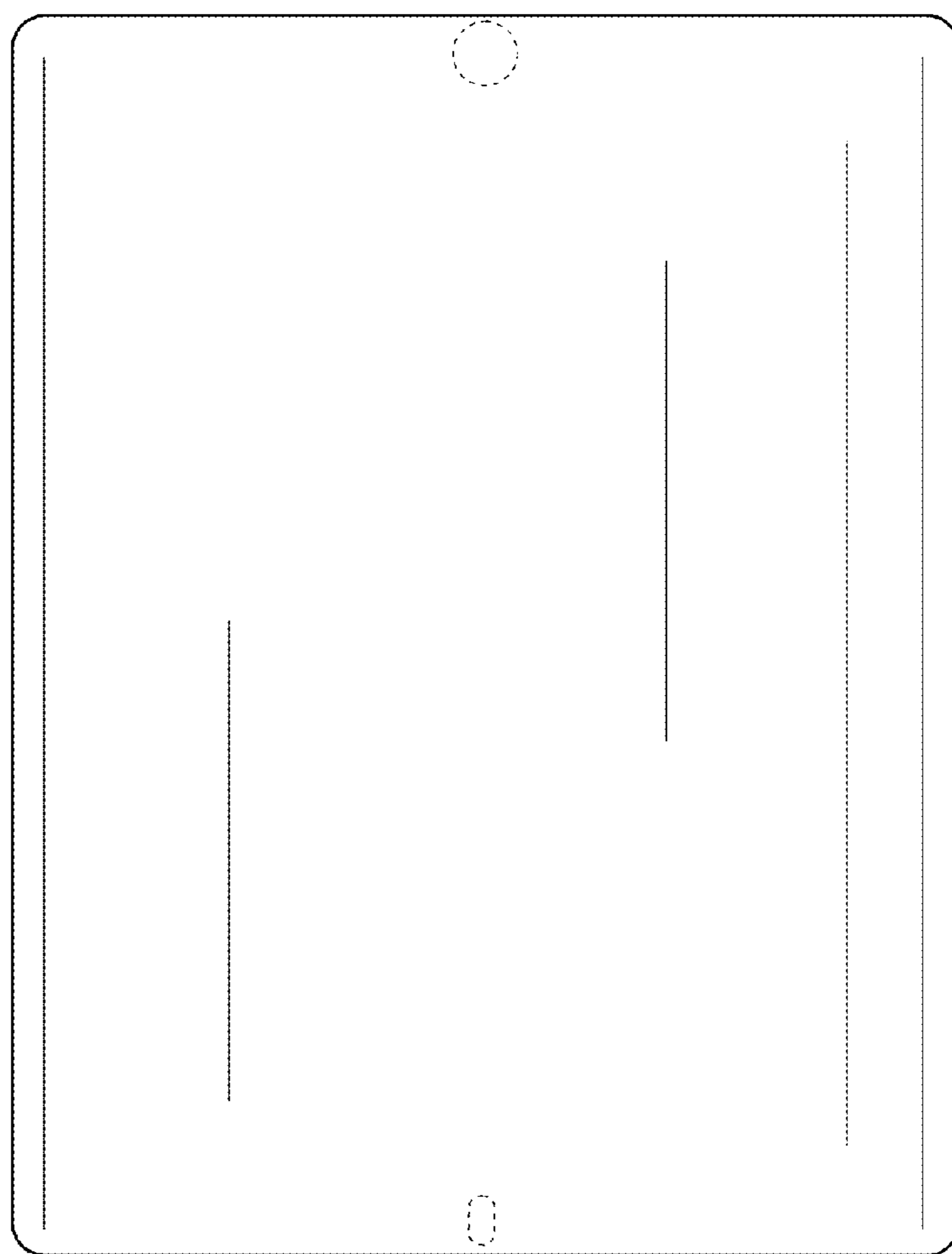
*FIG. 7*



*FIG. 8*



**FIG. 9**



**FIG. 10**



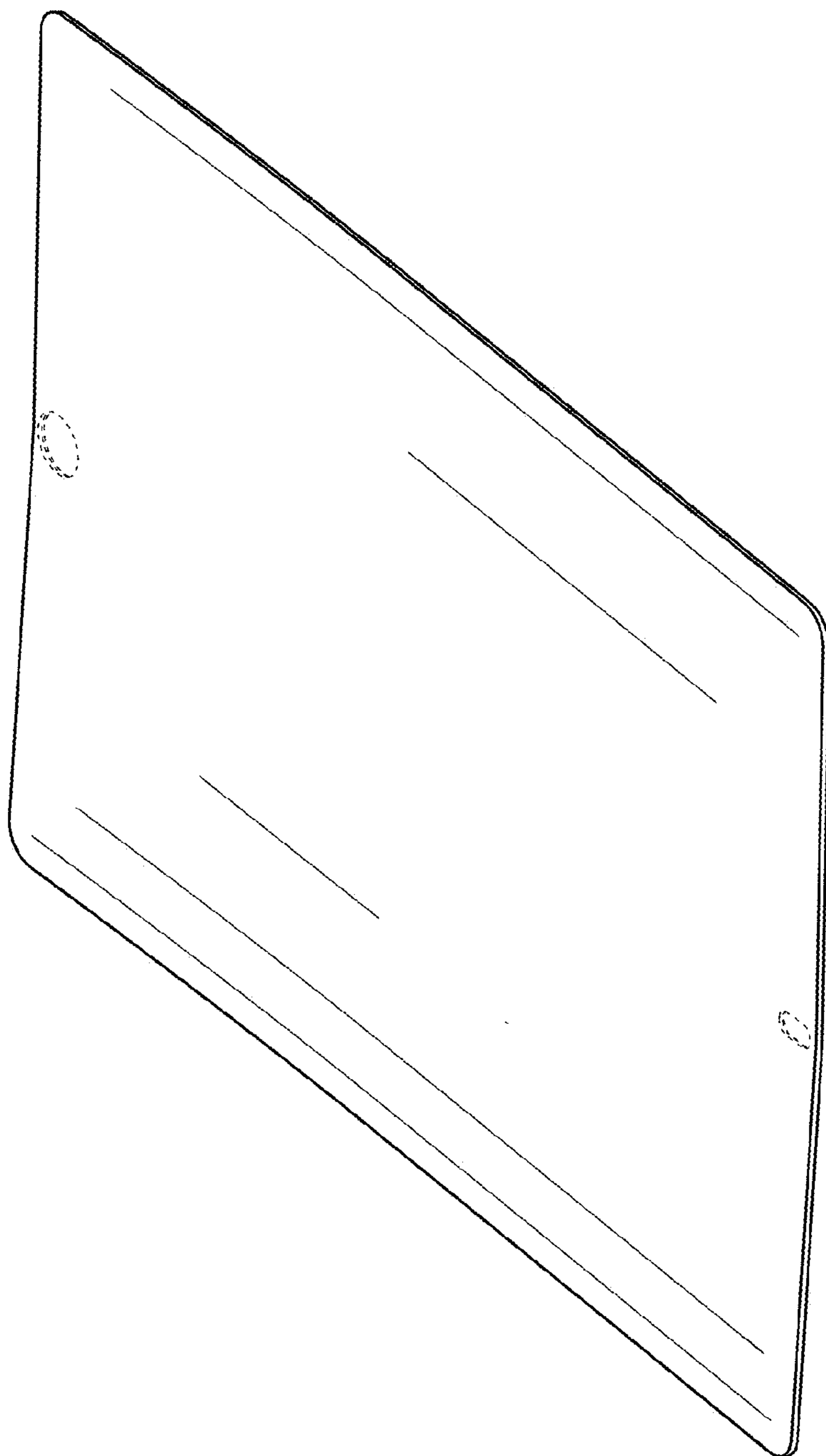
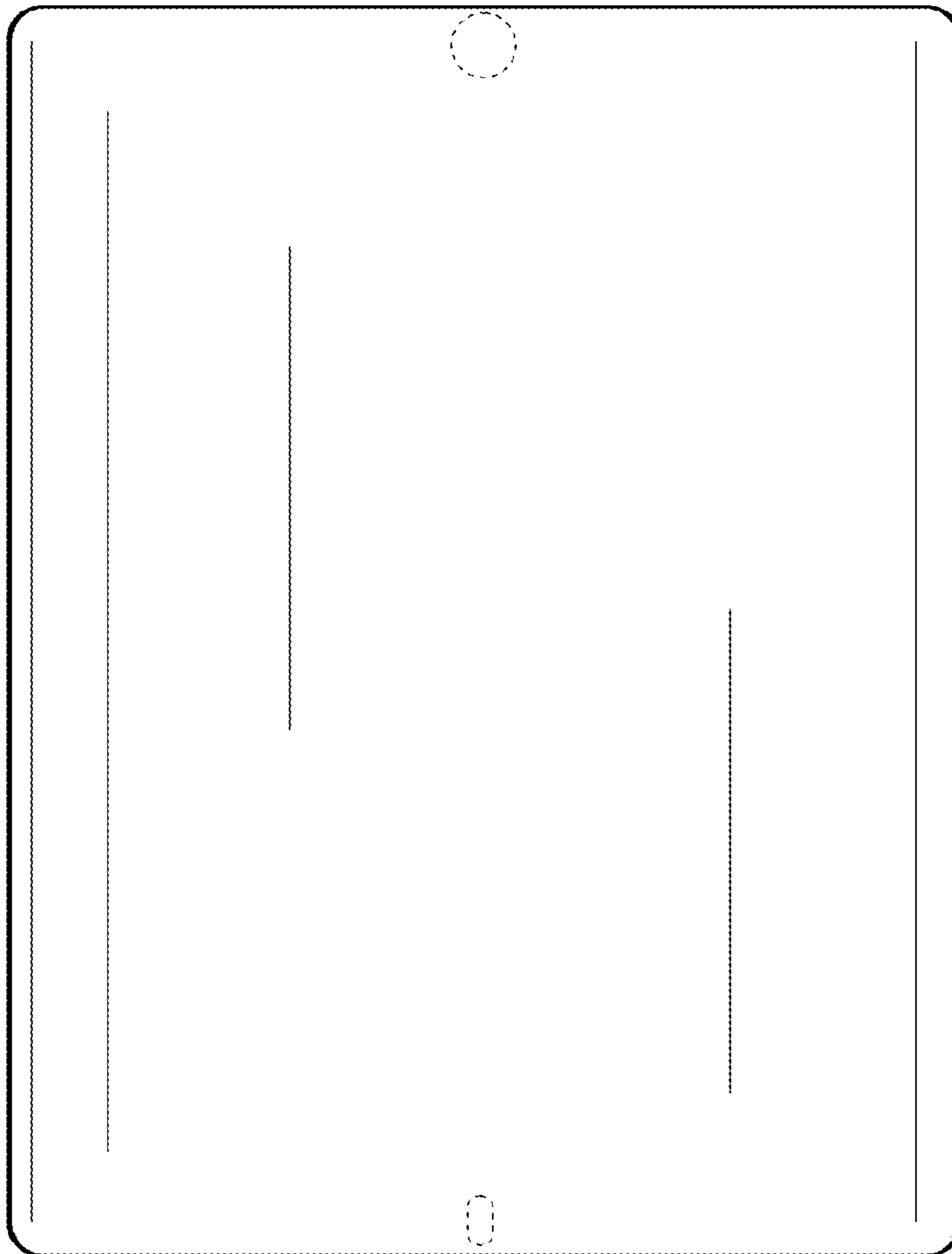


FIG. 11



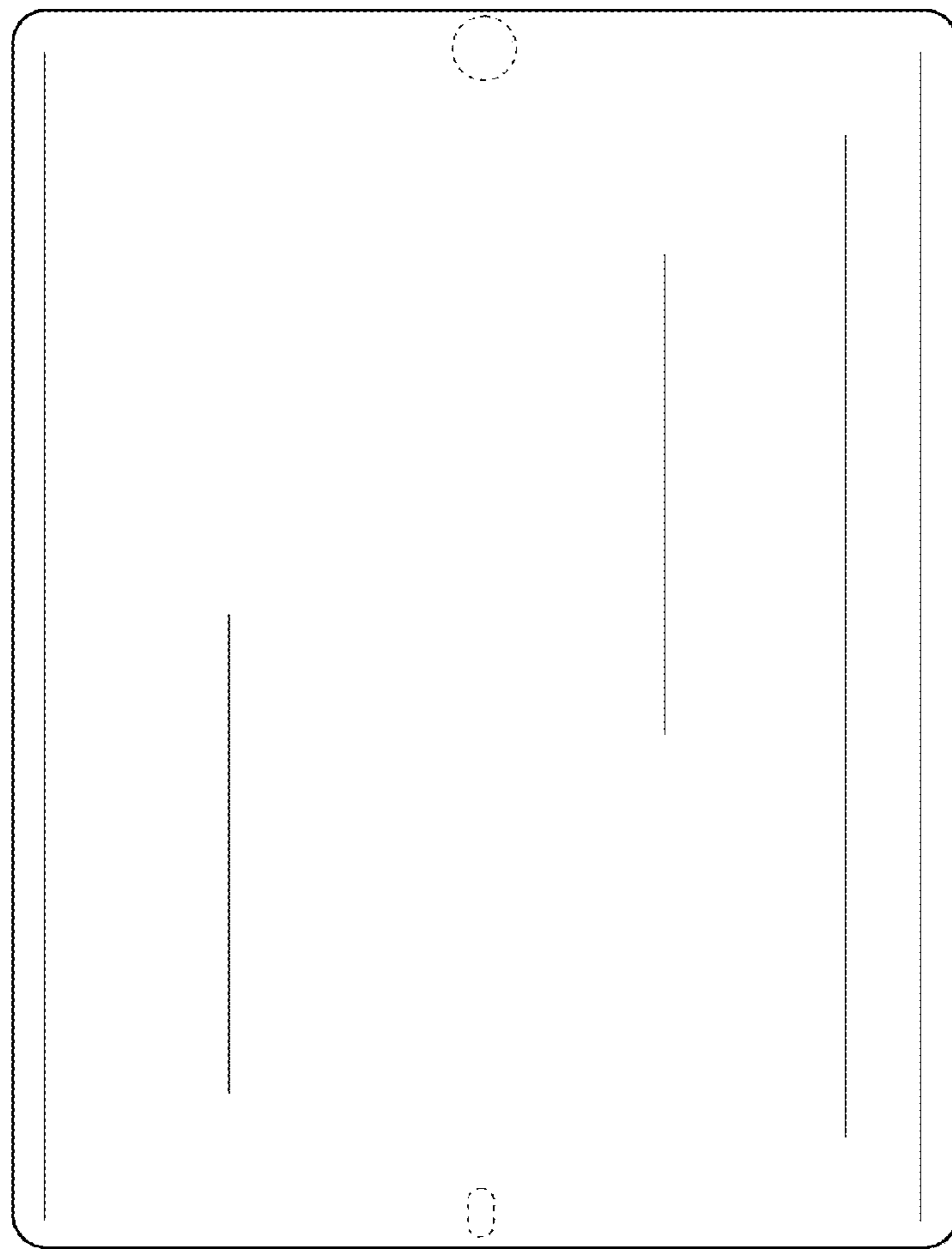
**FIG. 12**



**FIG. 13**



**FIG. 14**



**FIG. 15**