



US00D747318S

(12) **United States Design Patent**  
**Wenji et al.**

(10) **Patent No.:** **US D747,318 S**  
(45) **Date of Patent:** **\*\* Jan. 12, 2016**

(54) **LIGHTNING TO 30-PIN ADAPTOR SUPPORT**

(71) Applicant: **eMoMo Technology Co., Ltd.**, Baoan, Shenzhen (CN)

(72) Inventors: **Tang Wenji**, Shenzhen (CN); **Zhao Yushu**, Shenzhen (CN); **Song Jin**, Shenzhen (CN)

(73) Assignee: **eMoMo Technology Co.**, Shenzhen (CN)

(\*\*) Term: **14 Years**

(21) Appl. No.: **29/449,009**

(22) Filed: **Mar. 14, 2013**

(30) **Foreign Application Priority Data**

Dec. 24, 2012 (CN) ..... 2012 3 0648046

(51) **LOC (10) Cl.** ..... **14-02**

(52) **U.S. Cl.**  
USPC ..... **D14/433**

(58) **Field of Classification Search**  
USPC ..... D14/356, 432-434, 453, 454, 511, D14/203.8, 209.1, 238.1, 240, 125; 439/638, 928, 105, 502; 710/303, 304; 361/679.41, 679.55, 679.56; D13/110, D13/133, 146  
CPC ..... H01R 24/60; H01R 13/6275; H01R 13/62  
See application file for complete search history.

(56) **References Cited**

**U.S. PATENT DOCUMENTS**

D348,874 S \* 7/1994 Pemberton ..... D14/433  
D416,536 S \* 11/1999 Ross et al. .... D13/107  
D427,602 S \* 7/2000 Yerazunis et al. .... D14/433  
6,520,466 B1 \* 2/2003 Blanchard et al. .... 248/309.1

D585,897 S \* 2/2009 Carnevali ..... D14/434  
D628,961 S \* 12/2010 Kim et al. .... D13/108  
D633,040 S \* 2/2011 Le et al. .... D13/108  
D643,430 S \* 8/2011 Nuovo et al. .... D14/434  
D657,355 S \* 4/2012 Wikel et al. .... D14/253  
D657,356 S \* 4/2012 Wikel ..... D14/253  
D670,703 S \* 11/2012 Hasbrook et al. .... D14/447  
D682,278 S \* 5/2013 Carnevali ..... D14/434  
D704,628 S \* 5/2014 Tajik et al. .... D13/108

\* cited by examiner

*Primary Examiner* — Austin Murphy

(74) *Attorney, Agent, or Firm* — Bass, Berry & Sims, PLC

(57) **CLAIM**

The ornamental design for a lightning to 30-pin adapter support, as shown and described.

**DESCRIPTION**

FIG. 1 is a front view of an embodiment of a lightning to 30-pin adapter support showing our new design;

FIG. 2 is a bottom view thereof;

FIG. 3 is a top view thereof;

FIG. 4 is a side view thereof;

FIG. 5 is a rear view thereof;

FIG. 6 is a top perspective view thereof;

FIG. 7 is a bottom perspective view thereof;

FIG. 8 is a front view of a second embodiment of a lightning to 30-pin adapter support showing our new design;

FIG. 9 is a bottom view thereof;

FIG. 10 is a top view thereof;

FIG. 11 is a side view thereof;

FIG. 12 is a rear view thereof;

FIG. 13 is a top perspective view thereof; and,

FIG. 14 is a bottom perspective view thereof.

The broken lines shown in the drawings are included for the purpose of illustrating environmental structure and form no part of the claimed design.

**1 Claim, 12 Drawing Sheets**

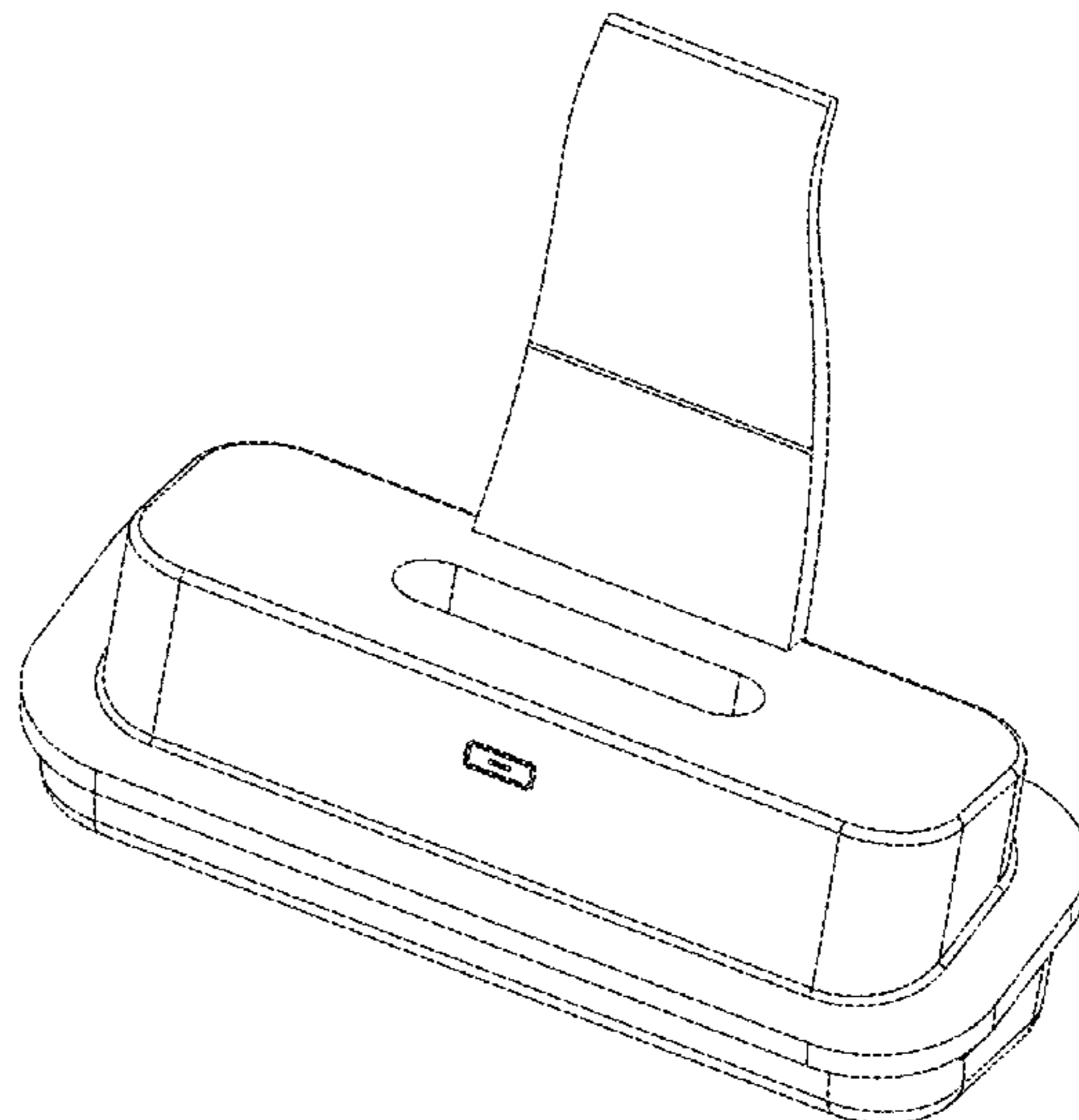
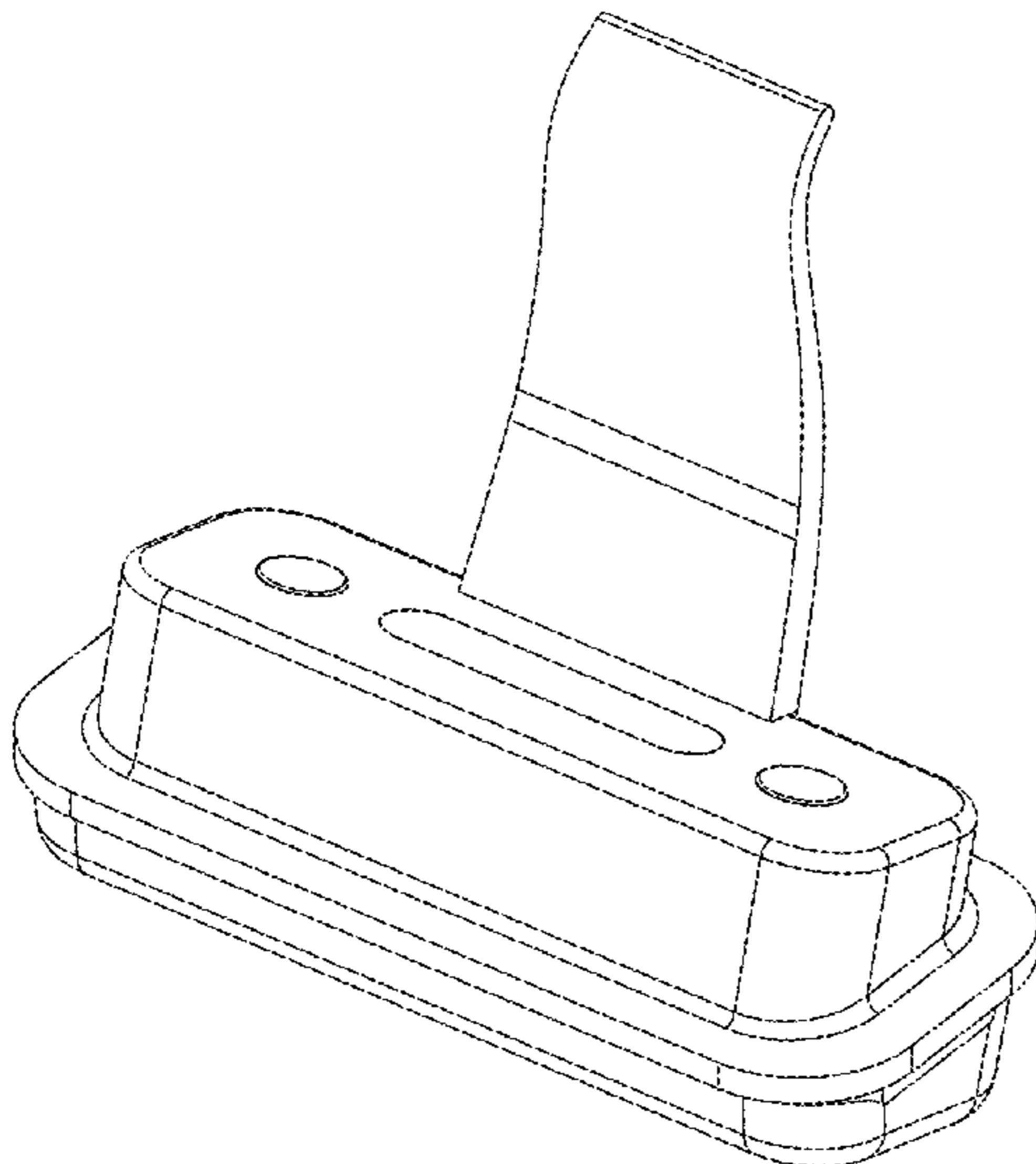


Fig. 1

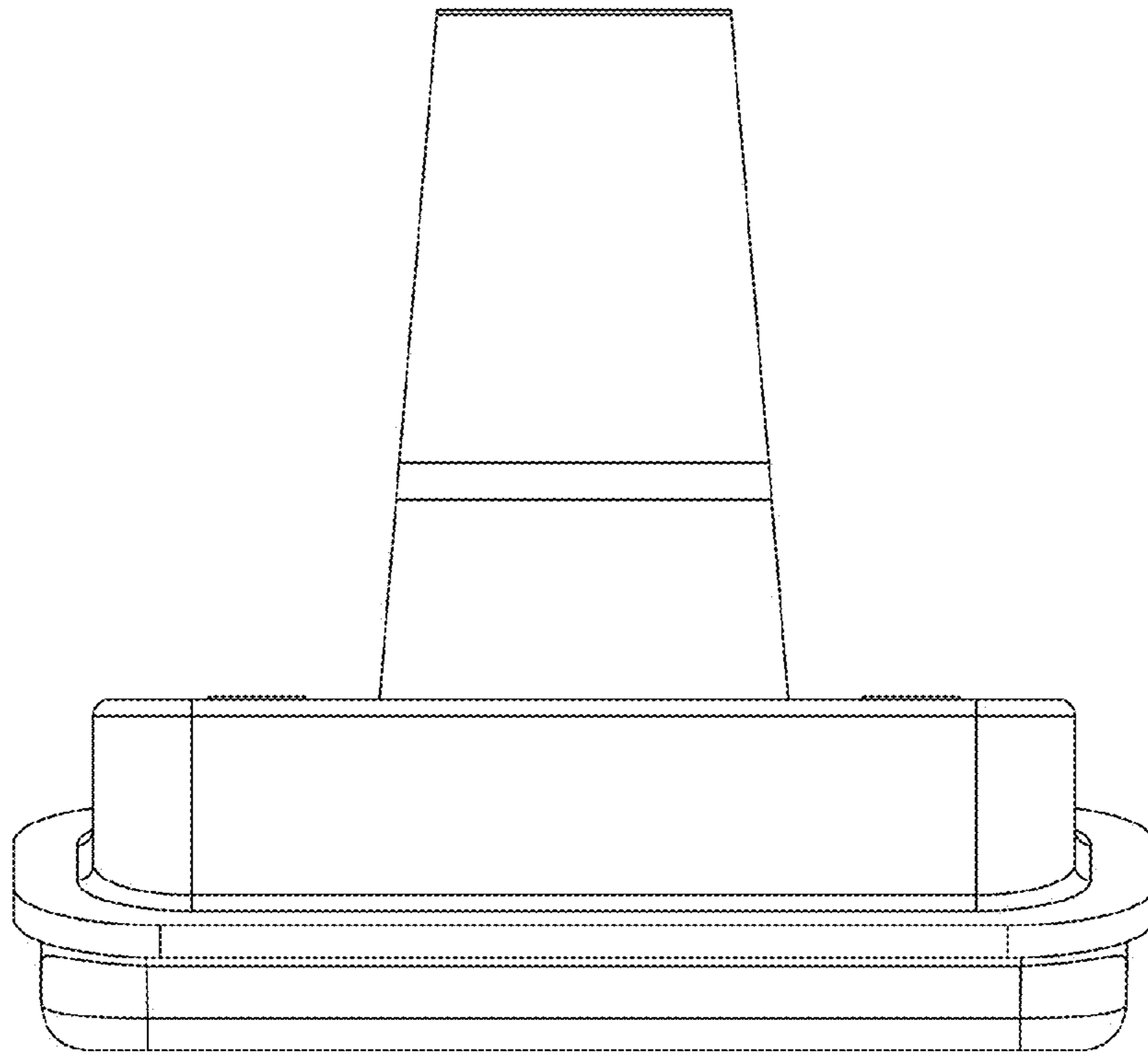


Fig. 2

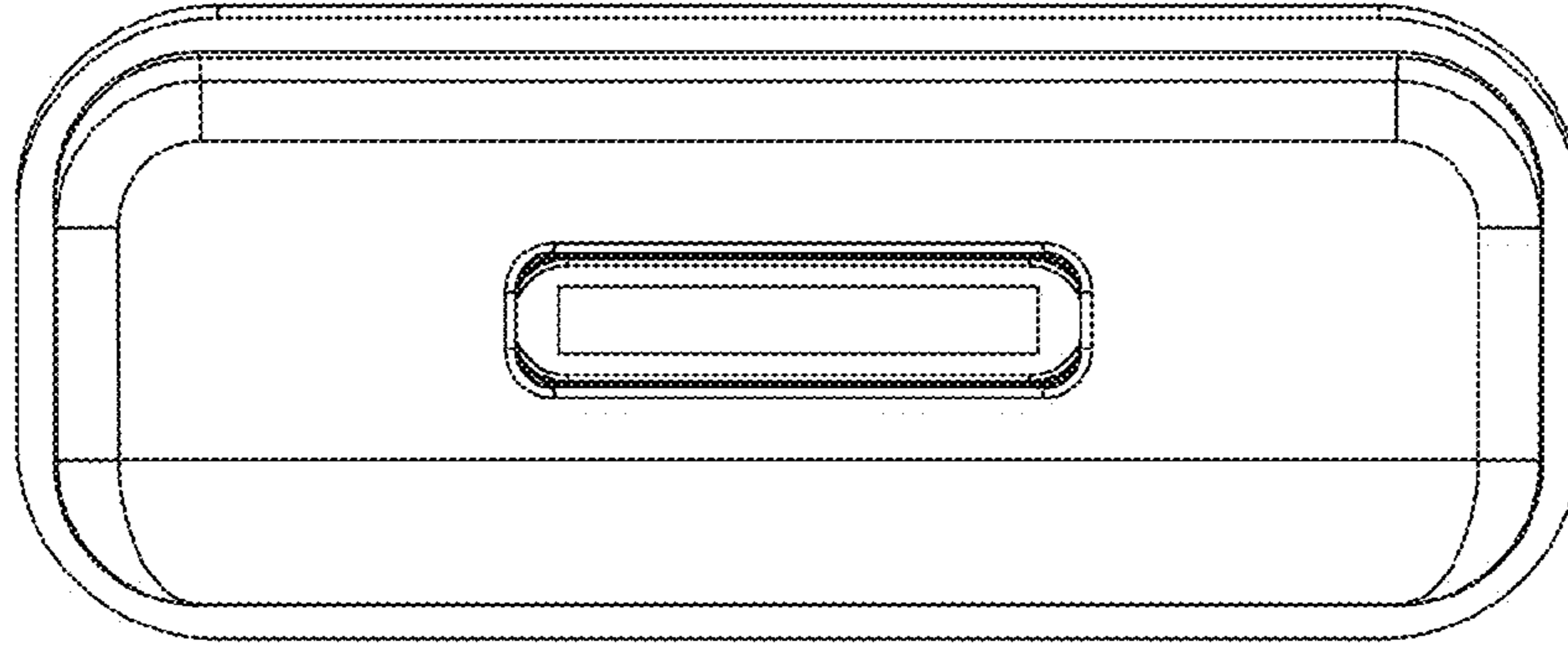


Fig. 3

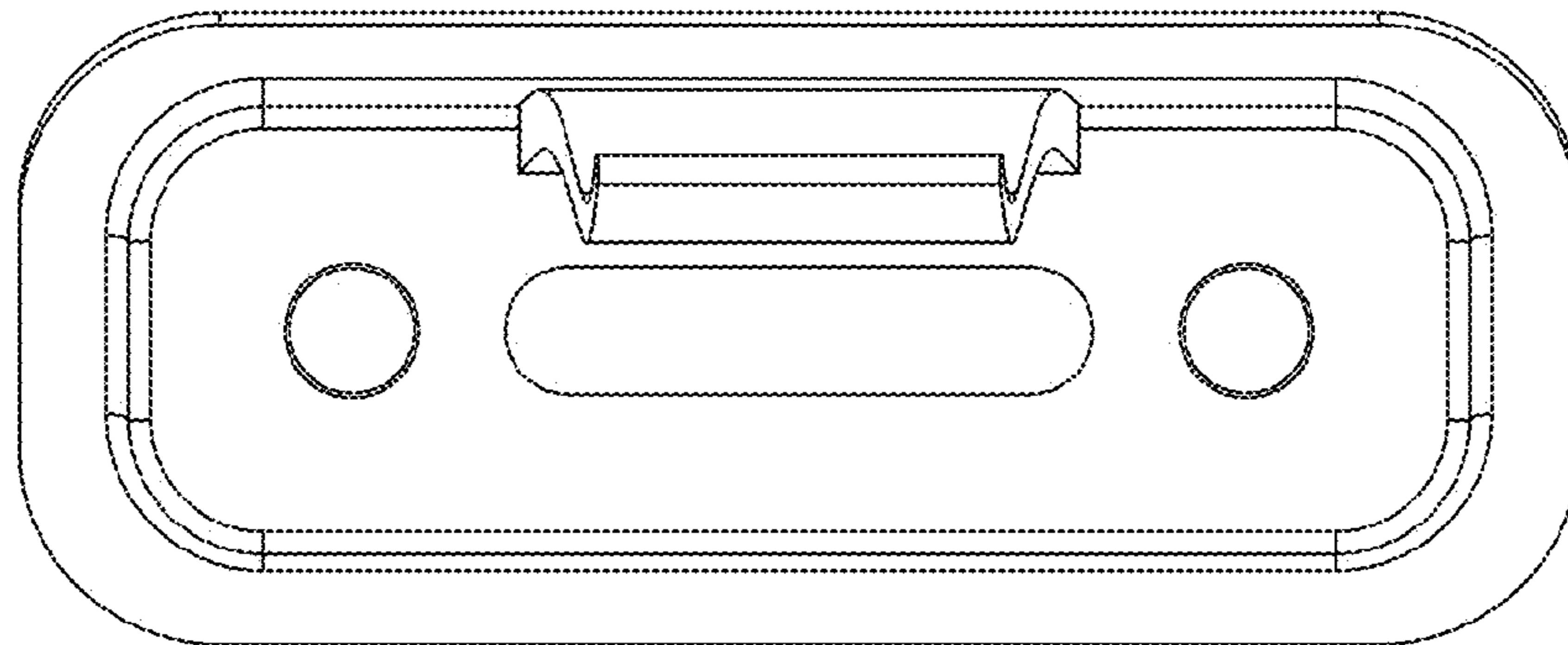


Fig. 4

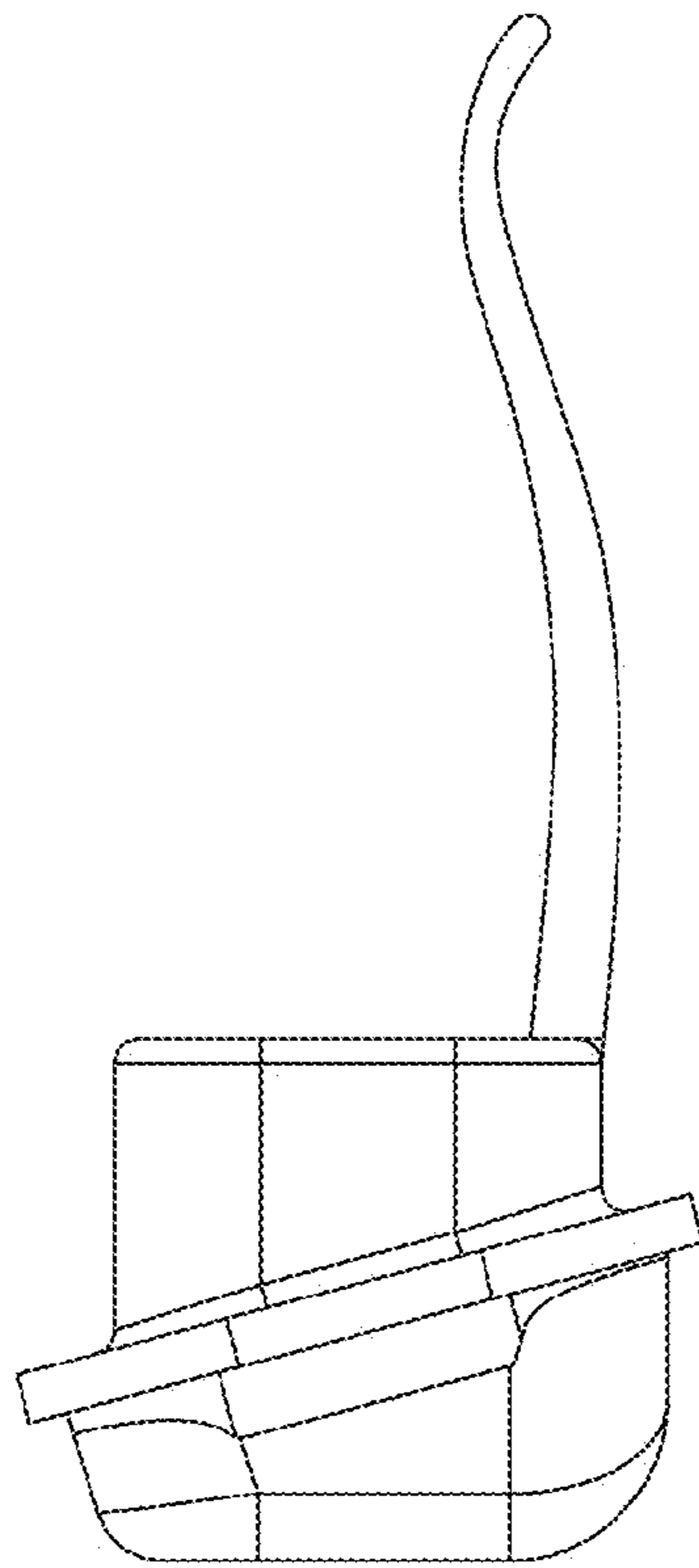


Fig. 5

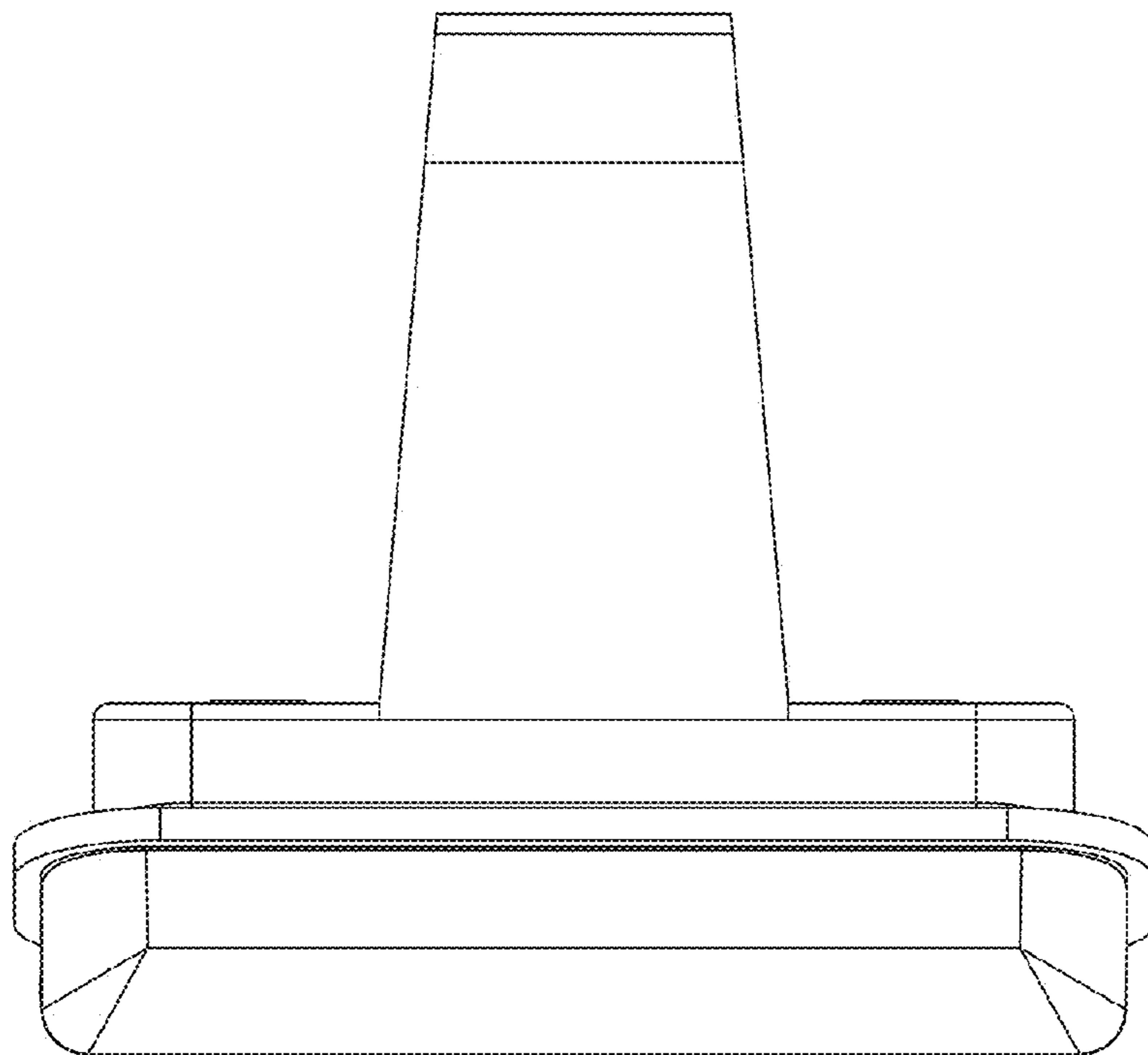


Fig. 6

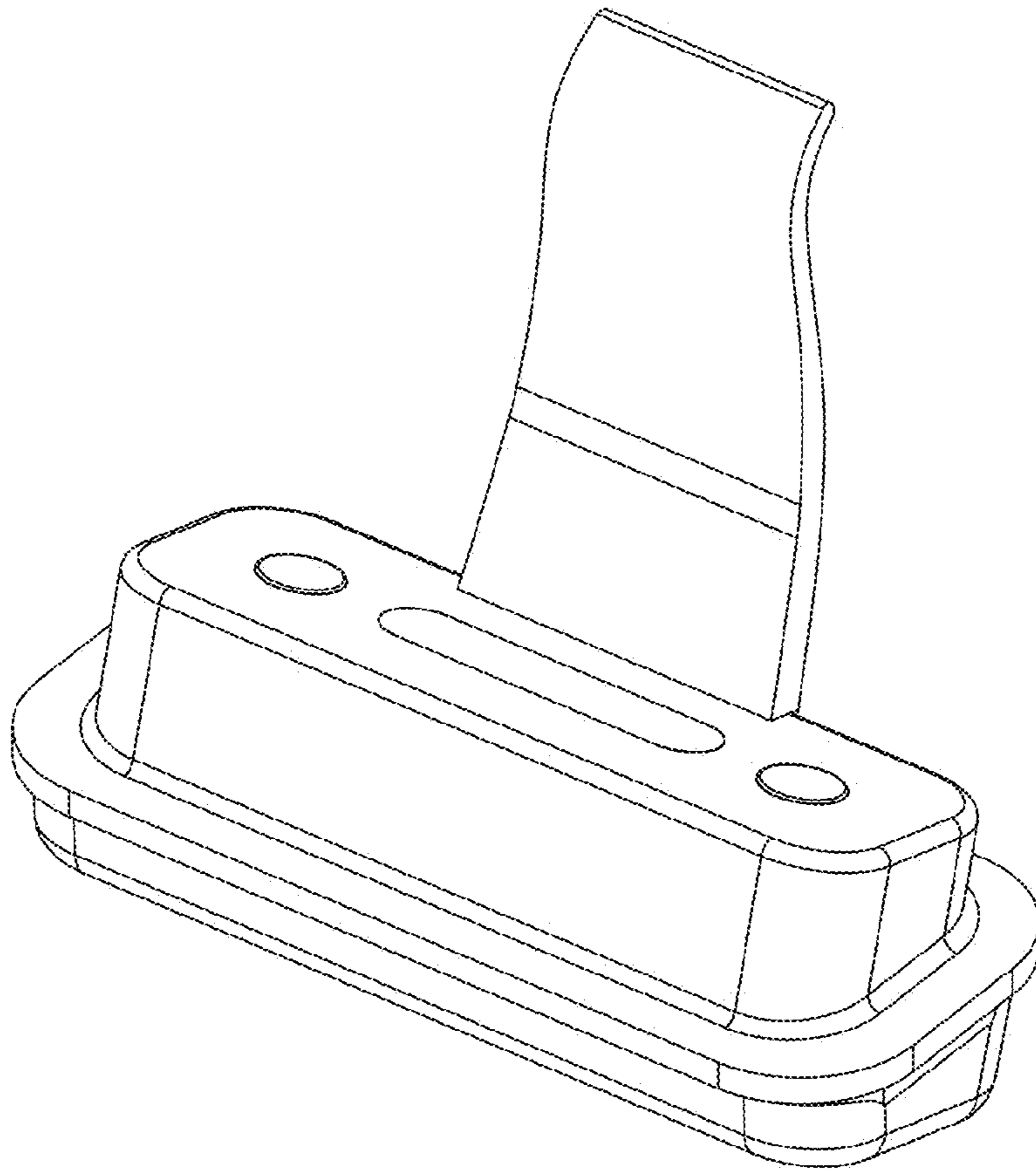


Fig. 7

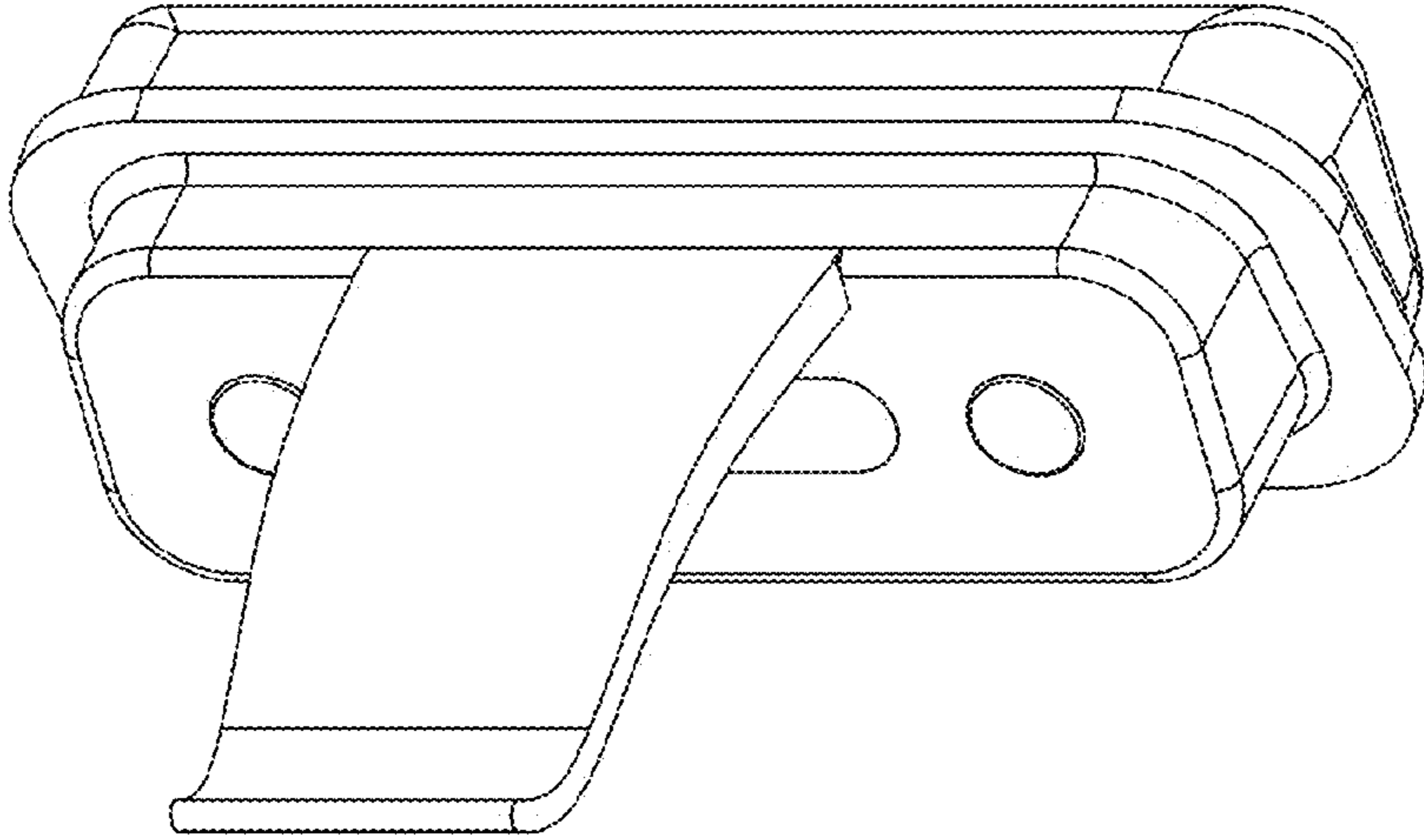


Fig. 8

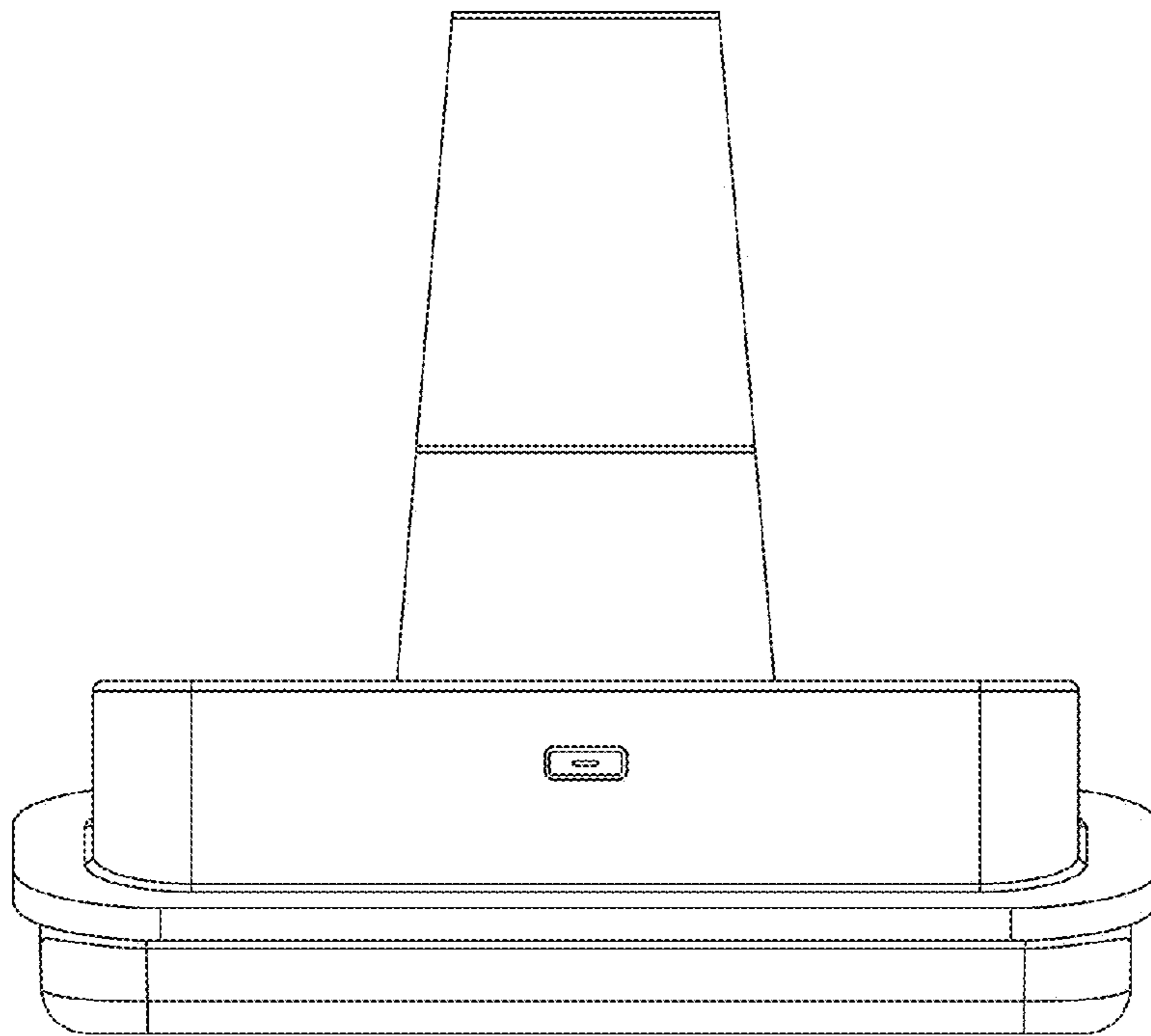




Fig. 9

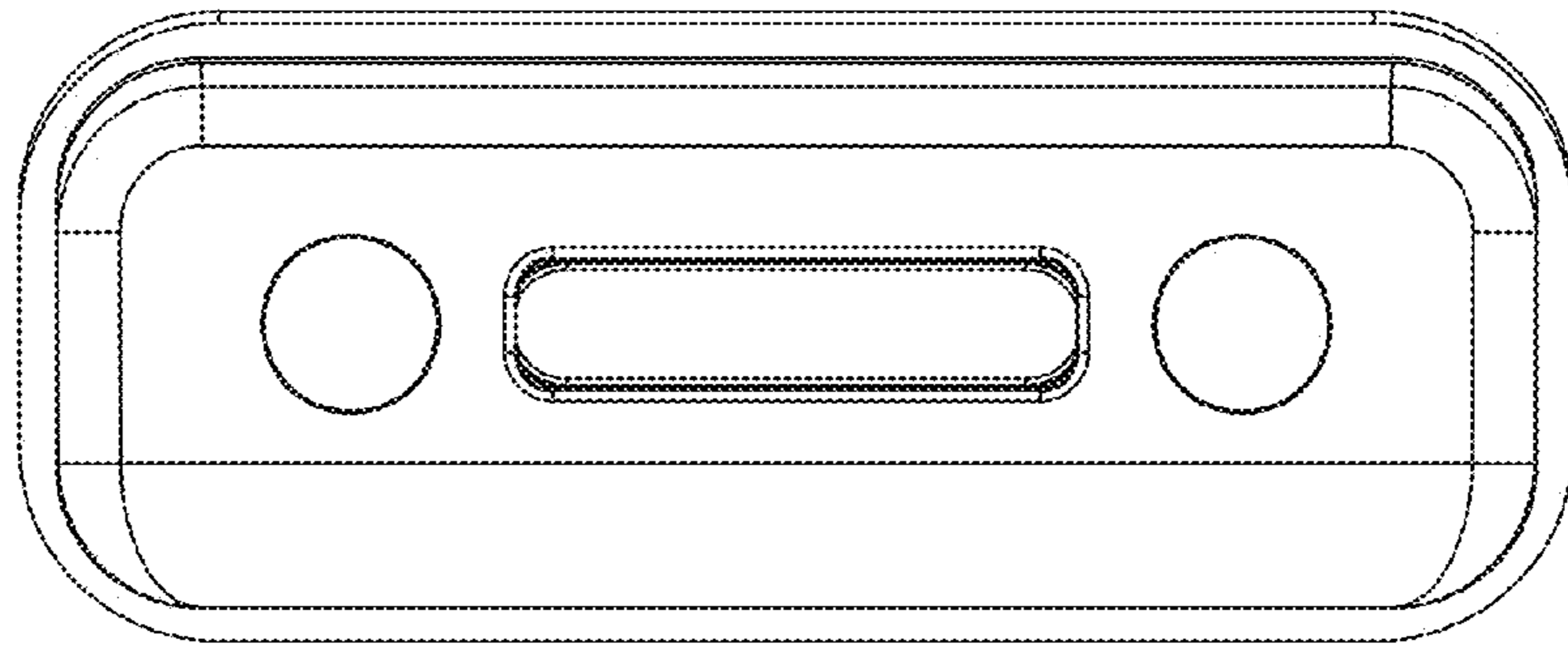


Fig. 10

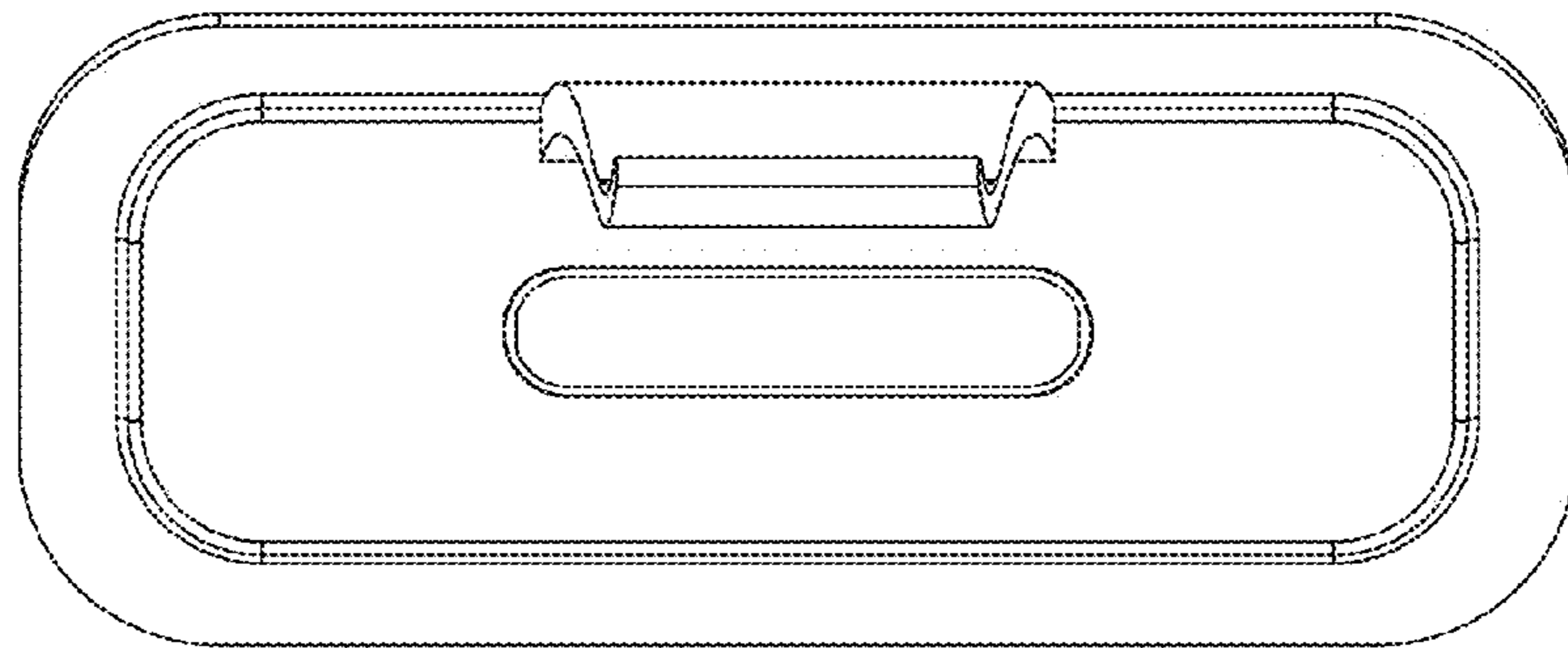


Fig. 11

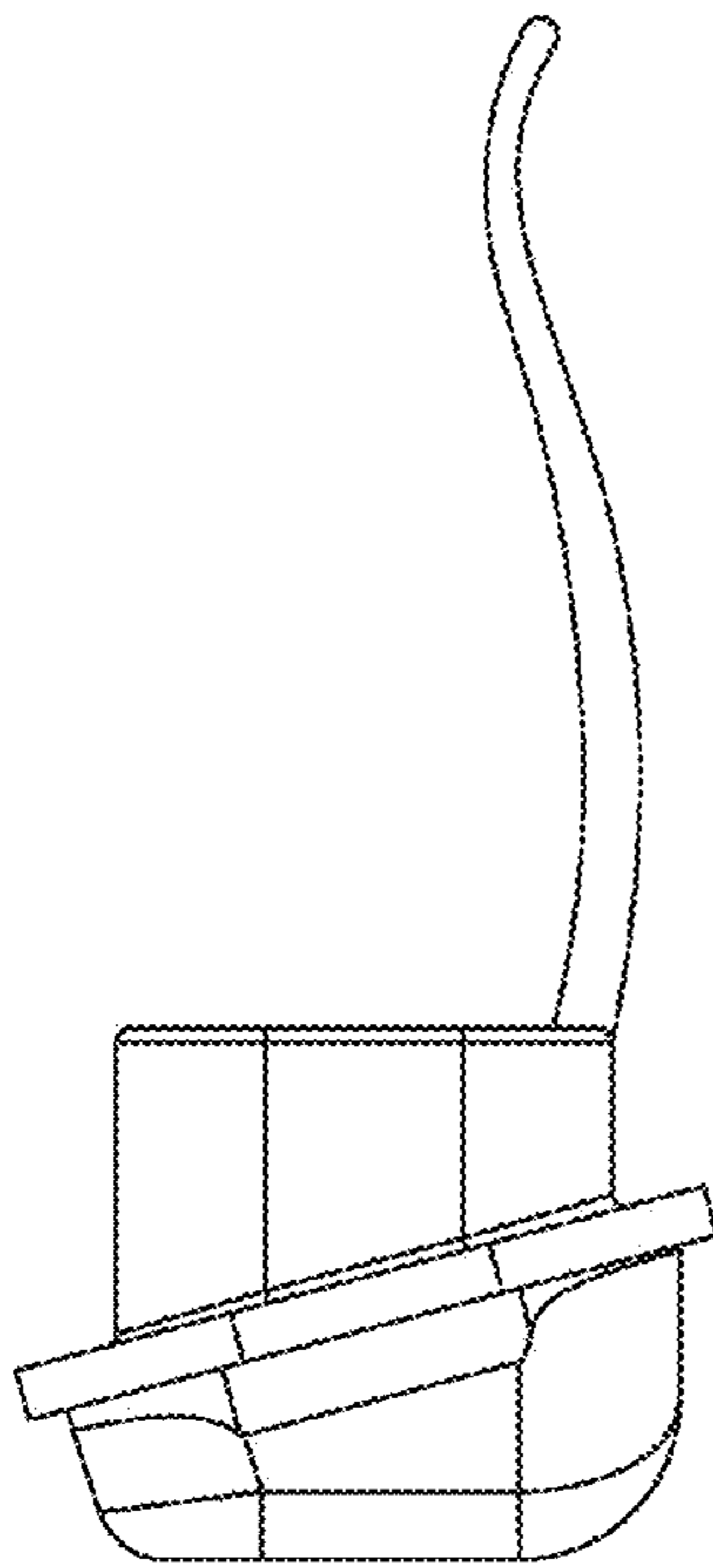


Fig. 12

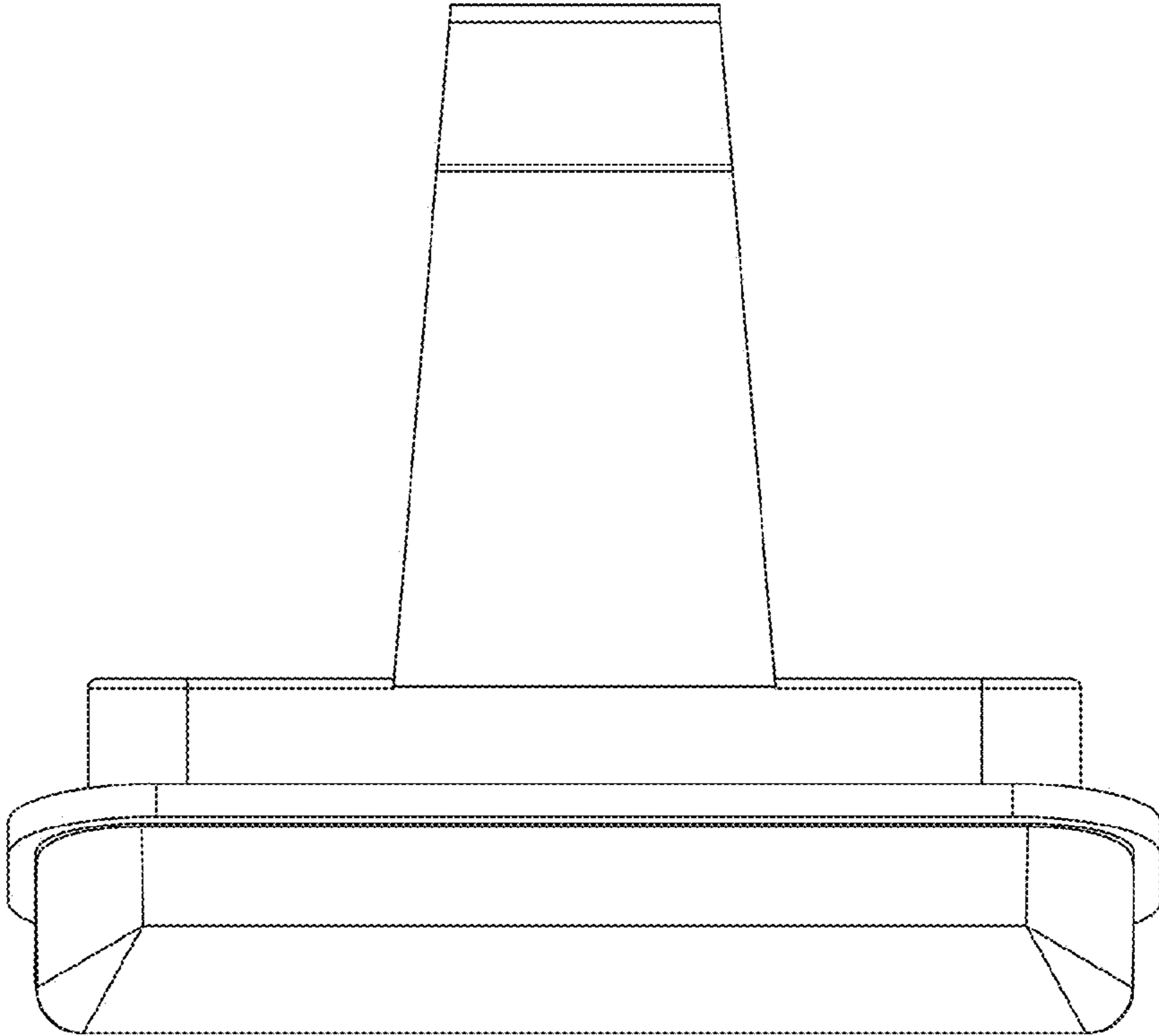


Fig. 13

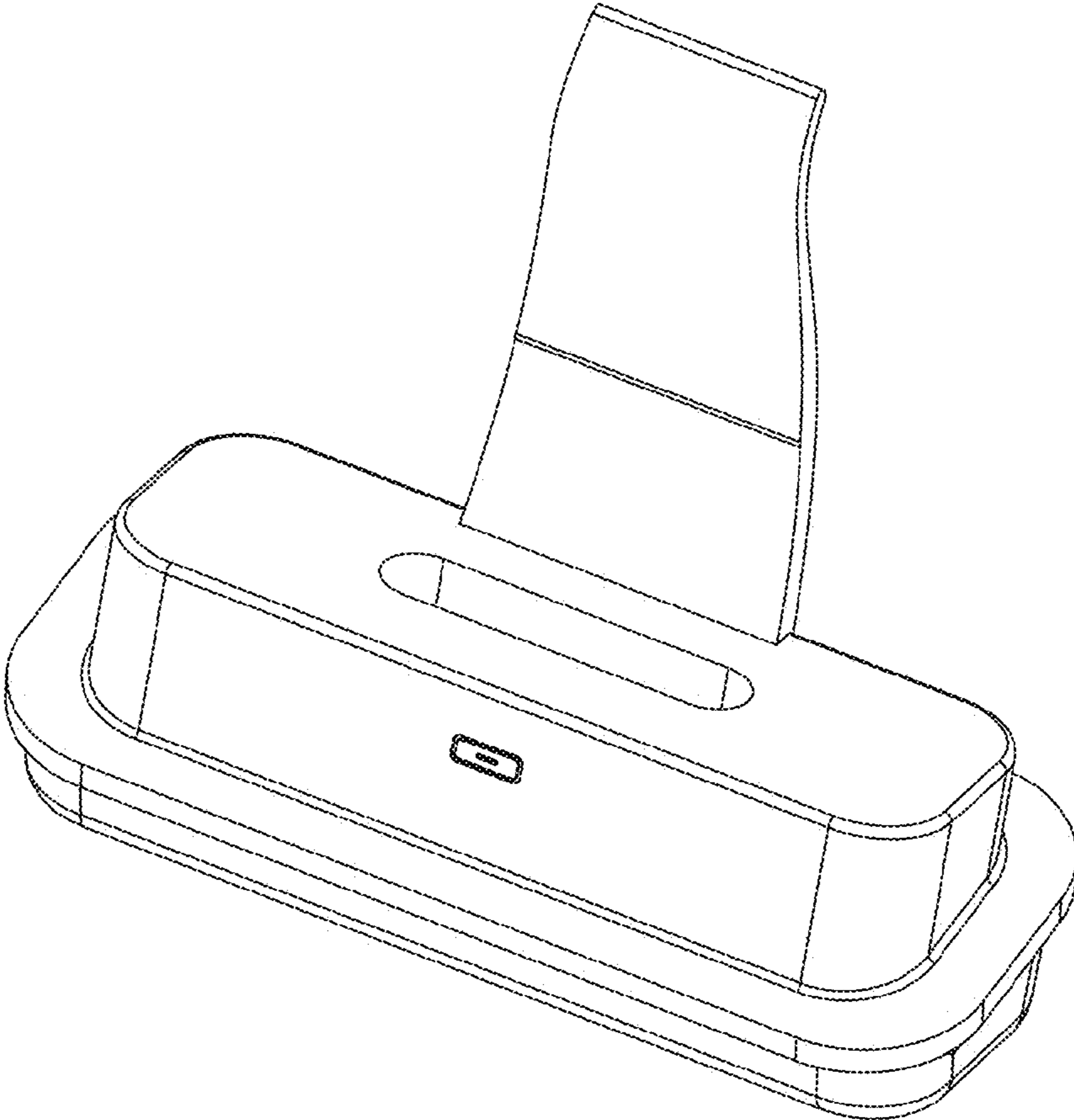


Fig. 14

