



US00D747317S

(12) **United States Design Patent**
Oakley

(10) **Patent No.:** **US D747,317 S**
(45) **Date of Patent:** **** Jan. 12, 2016**

- (54) **MULTI-PURPOSE HANDLE FOR A PORTABLE COMPUTING DEVICE WITH THERMAL VENTING**
- (71) Applicant: **Intel Corporation**, Santa Clara, CA (US)
- (72) Inventor: **Nicholas Oakley**, Portland, OR (US)
- (73) Assignee: **Intel Corporation**, Santa Clara, CA (US)
- (**) Term: **14 Years**
- (21) Appl. No.: **29/465,803**
- (22) Filed: **Aug. 30, 2013**
- (51) **LOC (10) Cl.** **14-02**
- (52) **U.S. Cl.**
USPC **D14/432**
- (58) **Field of Classification Search**
USPC D14/300–302, 308–313, 314, 348, D14/353–355, 432, 439–446, 447, 451; 361/679.02, 679.31, 679.5, 690, 694, 361/679.23, 801, 802; 312/332.1, 334.1; D19/65, 91; D3/218; D8/354, 373; D12/193; 248/206.2
CPC A45C 11/00; A45C 2011/003; B60R 11/0241; B60R 11/0252; F16M 13/00; F16M 11/00
See application file for complete search history.

(56) **References Cited**

U.S. PATENT DOCUMENTS

- D551,062 S * 9/2007 Nawrocki D8/367
- D598,919 S * 8/2009 Takemasa et al. D14/432

(Continued)

Primary Examiner — Austin Murphy

(74) *Attorney, Agent, or Firm* — International IP Law Group, P.L.L.C.

(57) **CLAIM**

The ornamental design for a multi-purpose handle for a portable computing device with thermal venting, as shown and described in FIGS. 1-20.

DESCRIPTION

FIG. 1 is a perspective view of a multi-purpose handle for a portable computing device with thermal venting design according to one embodiment;

FIG. 2 is a back view of the multi-purpose handle for a portable computing device with thermal venting from FIG. 1; FIG. 3 is a front view of the multi-purpose handle for a portable computing device with thermal venting from FIG. 1; FIG. 4 is a side view of the multi-purpose handle for a portable computing device with thermal venting from FIG. 1; FIG. 5 is another side view of the multi-purpose handle for a portable computing device with thermal venting from FIG. 1; FIG. 6 is a top view of the multi-purpose handle for a portable computing device with thermal venting from FIG. 1; and FIG. 7 is a bottom view of the multi-purpose handle for a portable computing device with thermal venting from FIG. 1; and

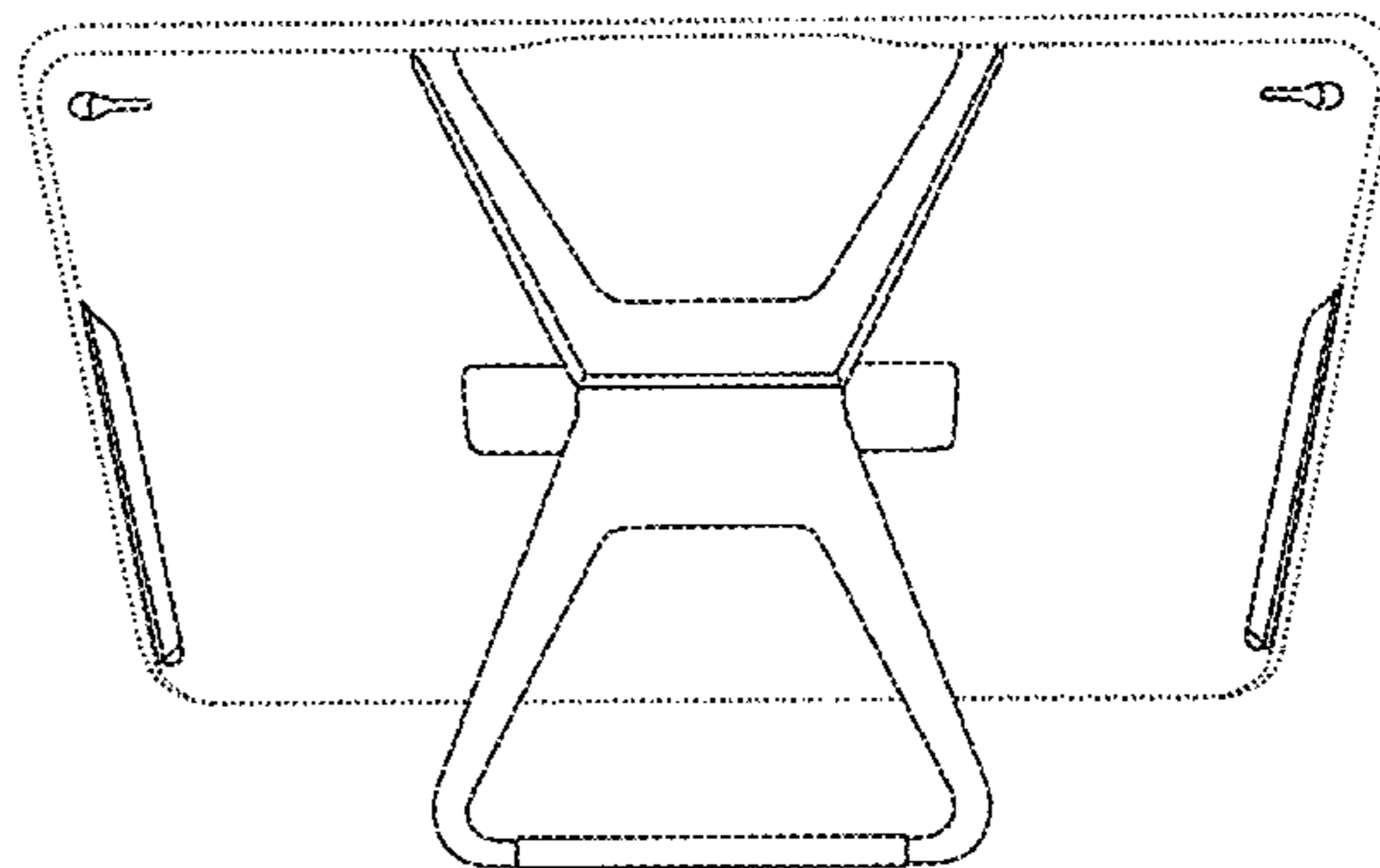
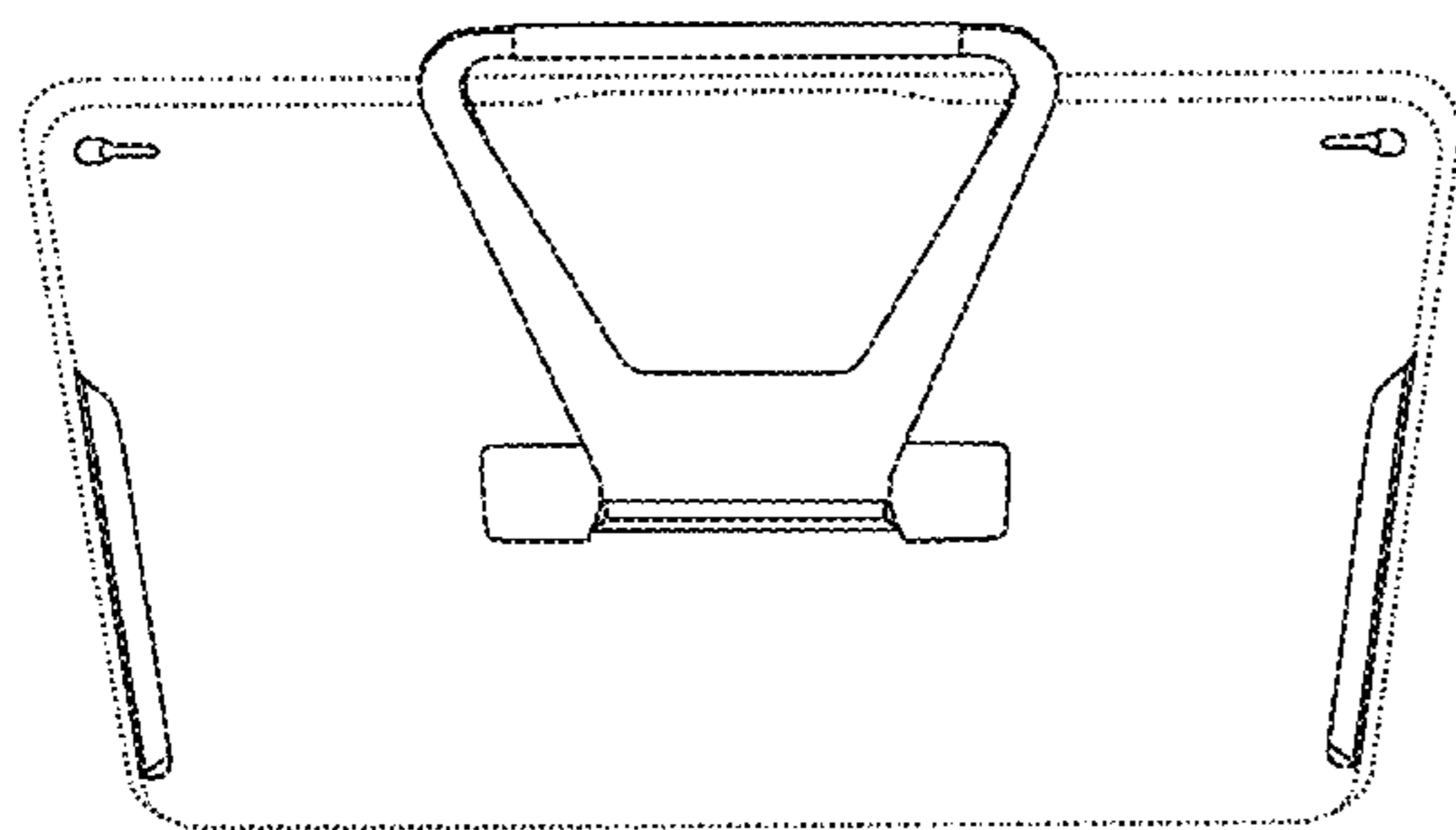
FIG. 8 is a perspective view of a multi-purpose handle for a portable computing device with thermal venting design according to one embodiment;

FIG. 9 is a back view of the multi-purpose handle for a portable computing device with thermal venting from FIG. 8; FIG. 10 is a front view of the multi-purpose handle for a portable computing device with thermal venting from FIG. 8; FIG. 11 is a side view of the multi-purpose handle for a portable computing device with thermal venting from FIG. 8; FIG. 12 is another side view of the multi-purpose handle for a portable computing device with thermal venting from FIG. 8;

FIG. 13 is a top view of the multi-purpose handle for a portable computing device with thermal venting from FIG. 8; and

FIG. 14 is a bottom view of the multi-purpose handle for a portable computing device with thermal venting from FIG. 8; FIG. 15 is a perspective view of an portable computing device with thermal venting design according to one embodiment; FIG. 16 is a back view of the portable computing device with thermal venting from FIG. 15; FIG. 17 is a front view of the portable computing device with thermal venting from FIG. 15; FIG. 18 is a side view of the portable computing device with thermal venting from FIG. 15; FIG. 19 is another side view of the portable computing device with thermal venting from FIG. 15; and, FIG. 20 is a top view of the portable computing device with thermal venting from FIG. 15.

1 Claim, 20 Drawing Sheets



US D747,317 S

Page 2

(56)

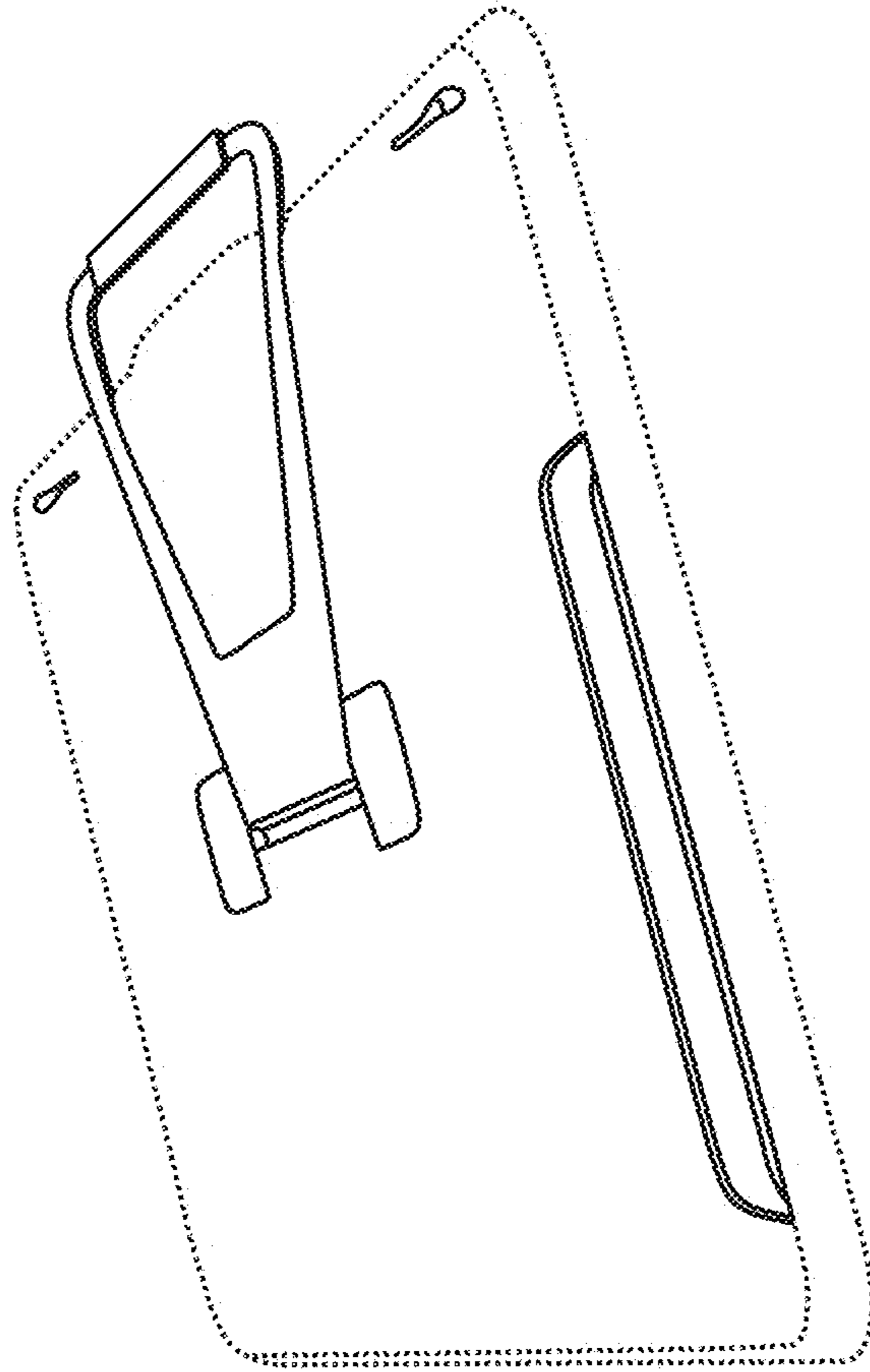
References Cited

U.S. PATENT DOCUMENTS

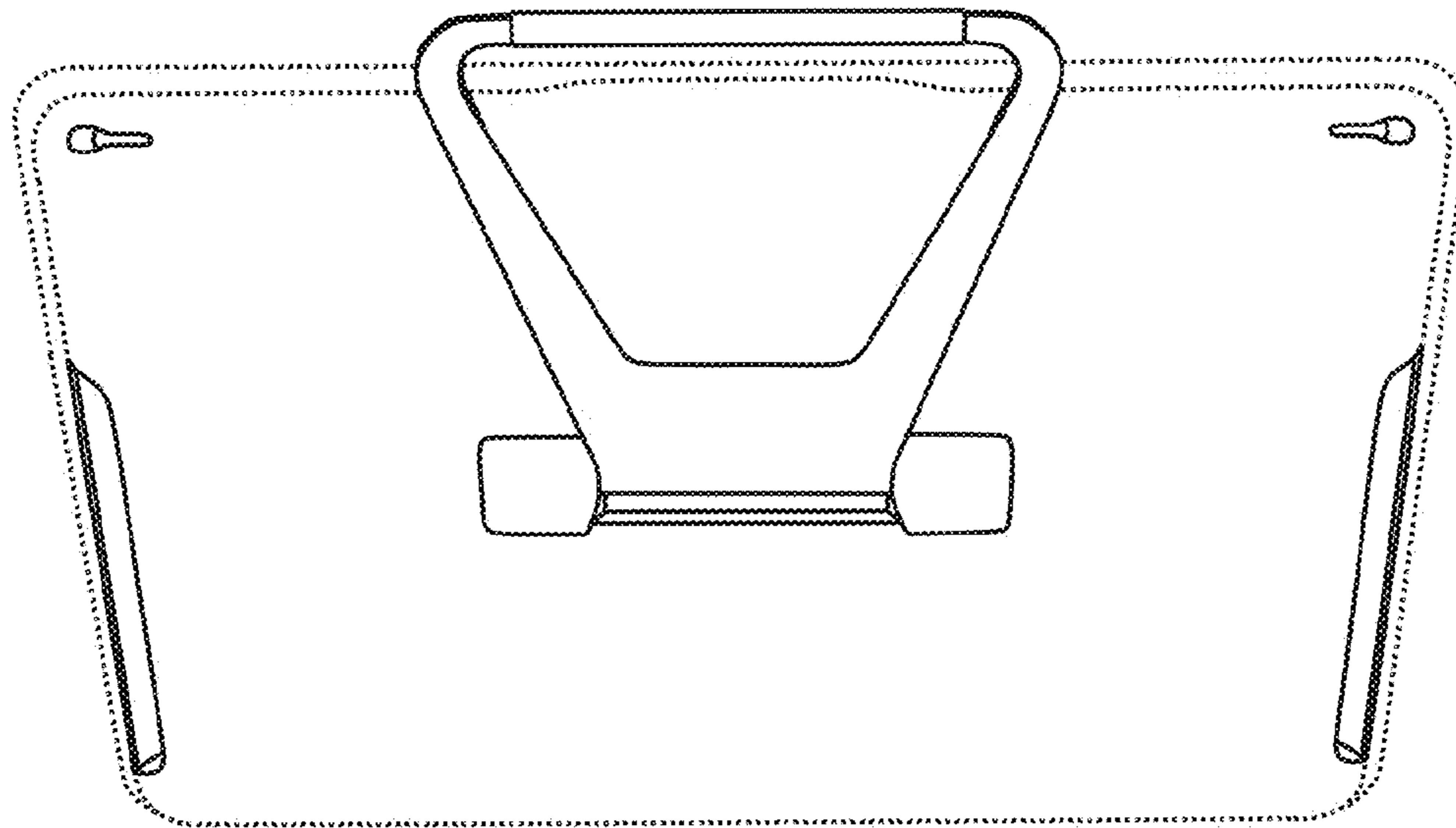
D613,291 S * 4/2010 Carver D14/432
D618,244 S * 6/2010 Sweet et al. D14/432
D673,162 S * 12/2012 Young D14/447
D687,442 S * 8/2013 Nishimura D14/447

D701,510 S * 3/2014 Brisbin D14/447
D709,512 S * 7/2014 Wardlaw D14/447
D716,308 S * 10/2014 Park et al. D14/432
8,887,357 B2 * 11/2014 Jimenez 16/421
D725,660 S * 3/2015 Trotsky D14/447

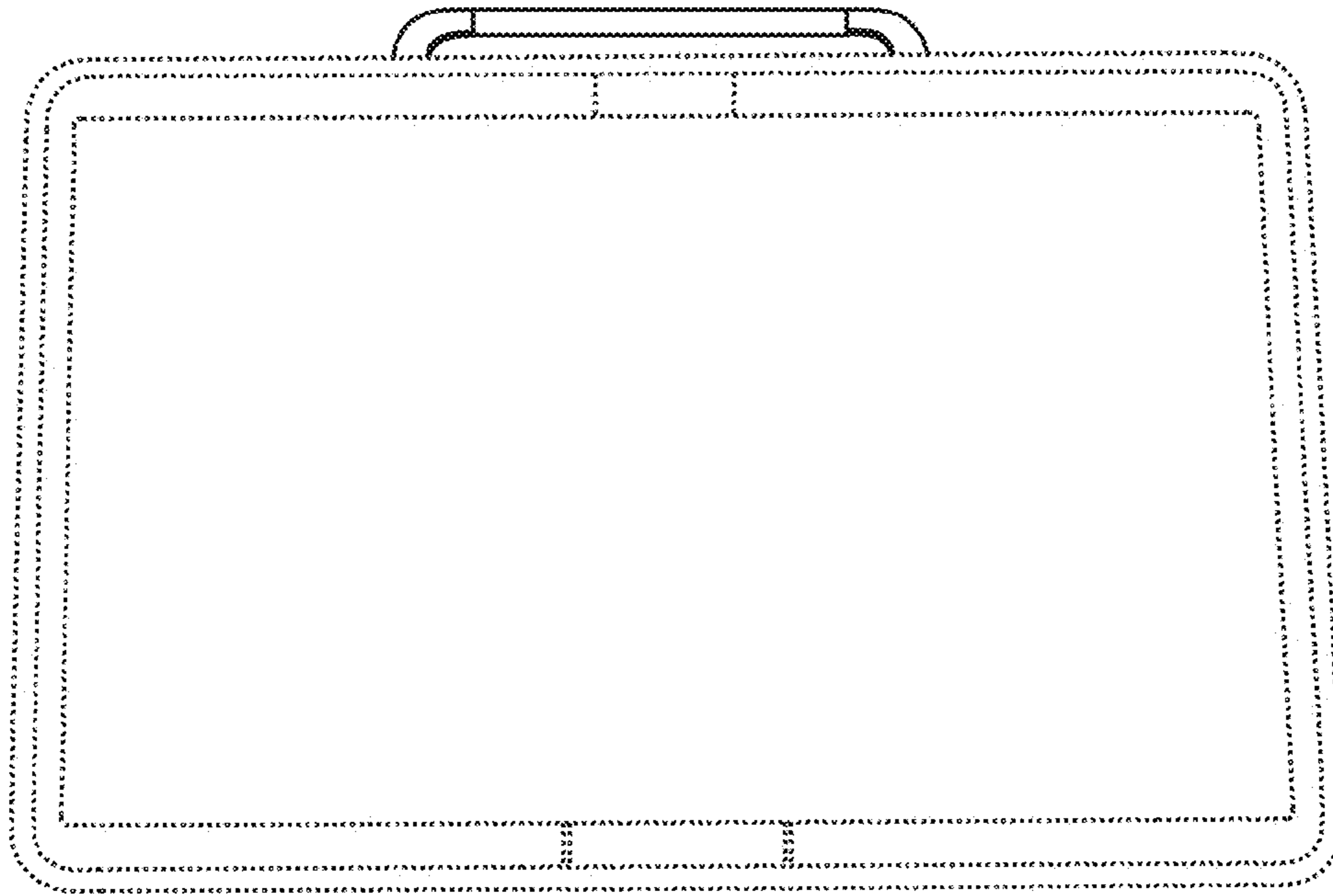
* cited by examiner



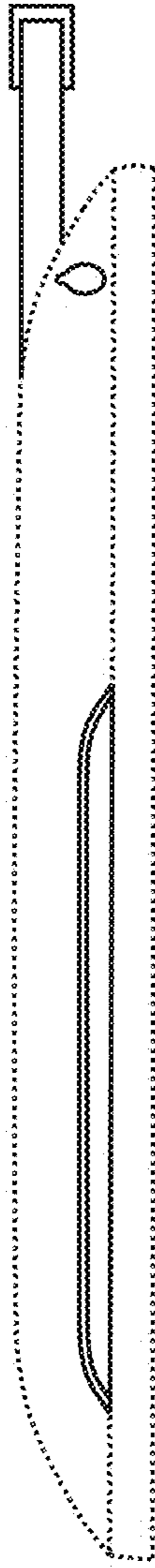
100
FIG. 1



200
FIG. 2

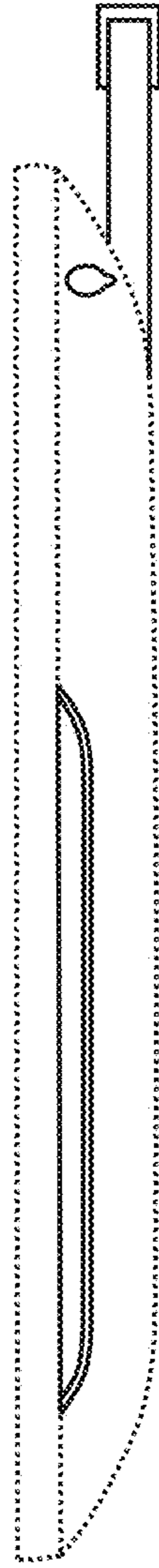


300
FIG. 3



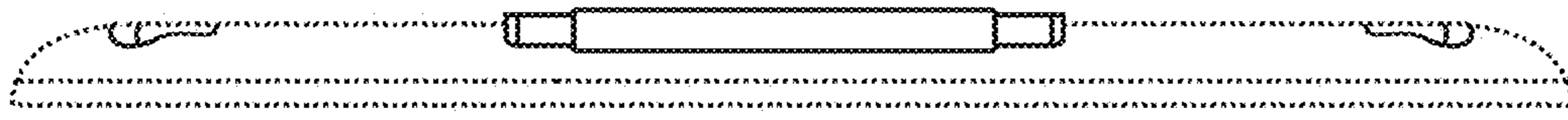
400

FIG. 4



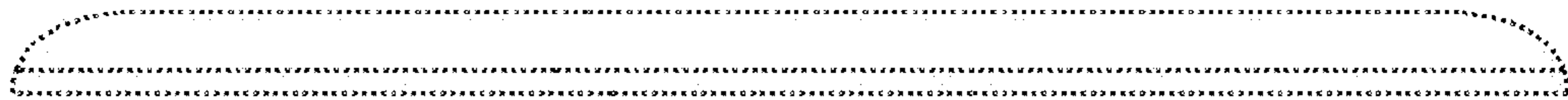
500

FIG. 5



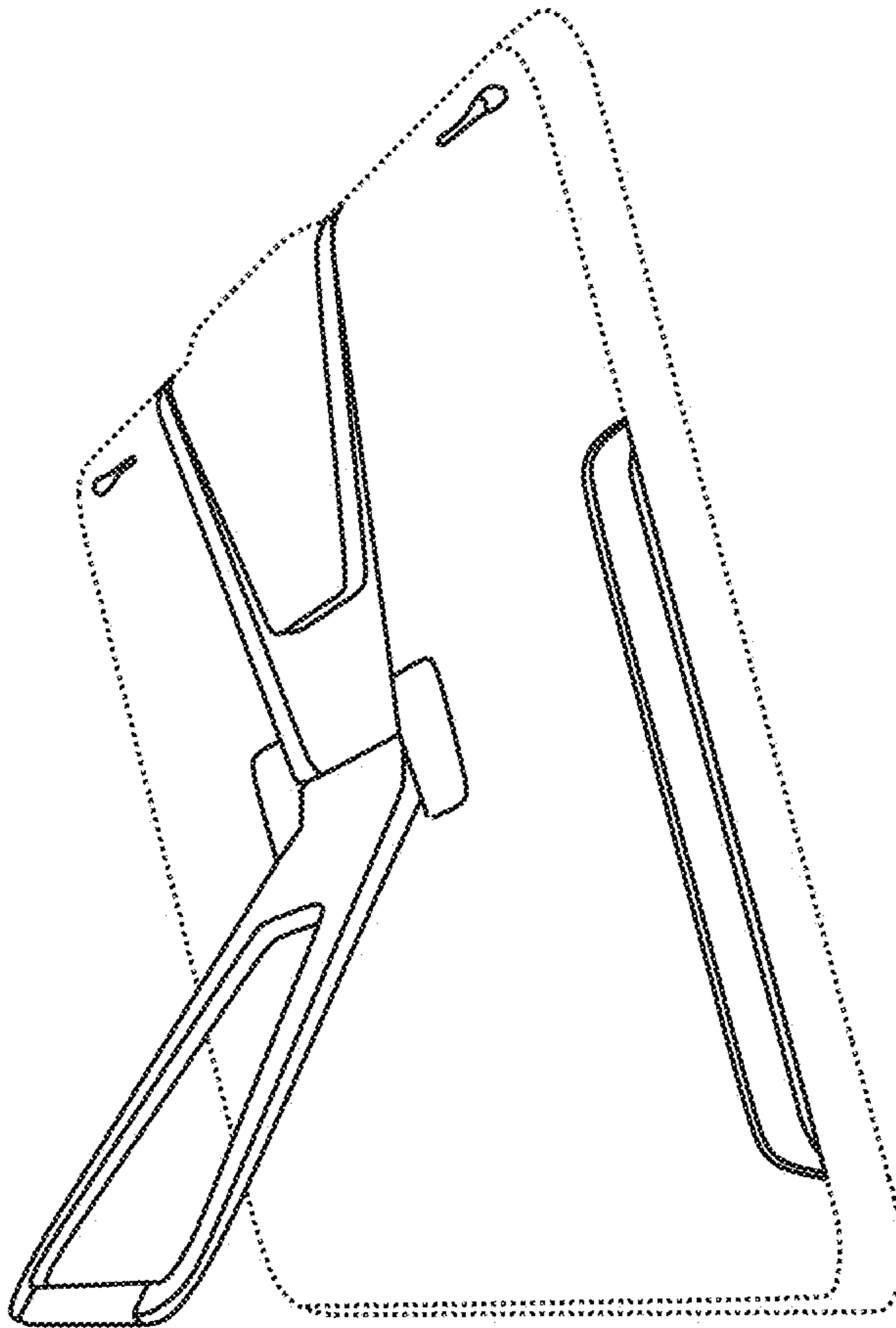
600

FIG. 6

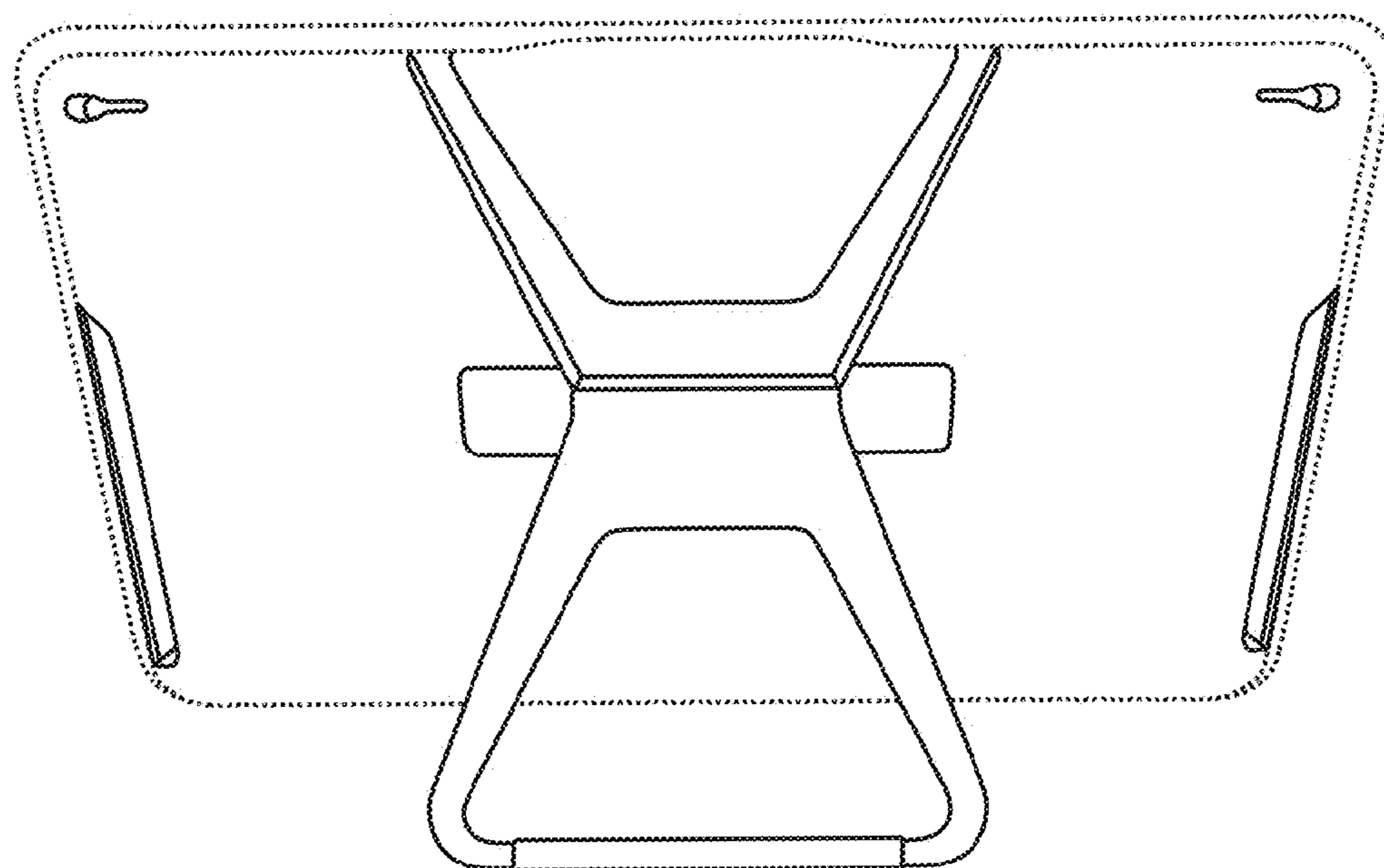


700

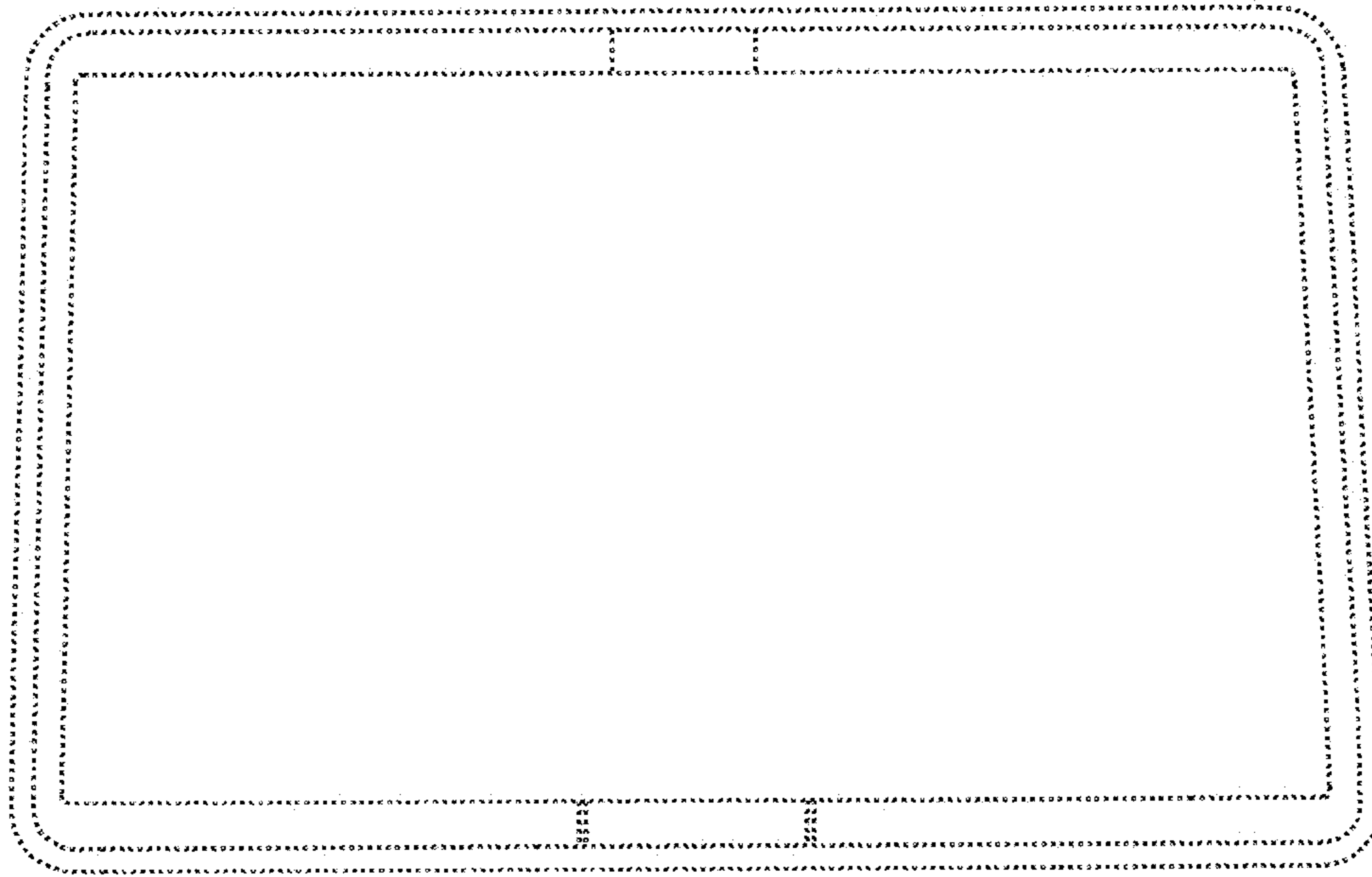
FIG. 7



800
FIG. 8

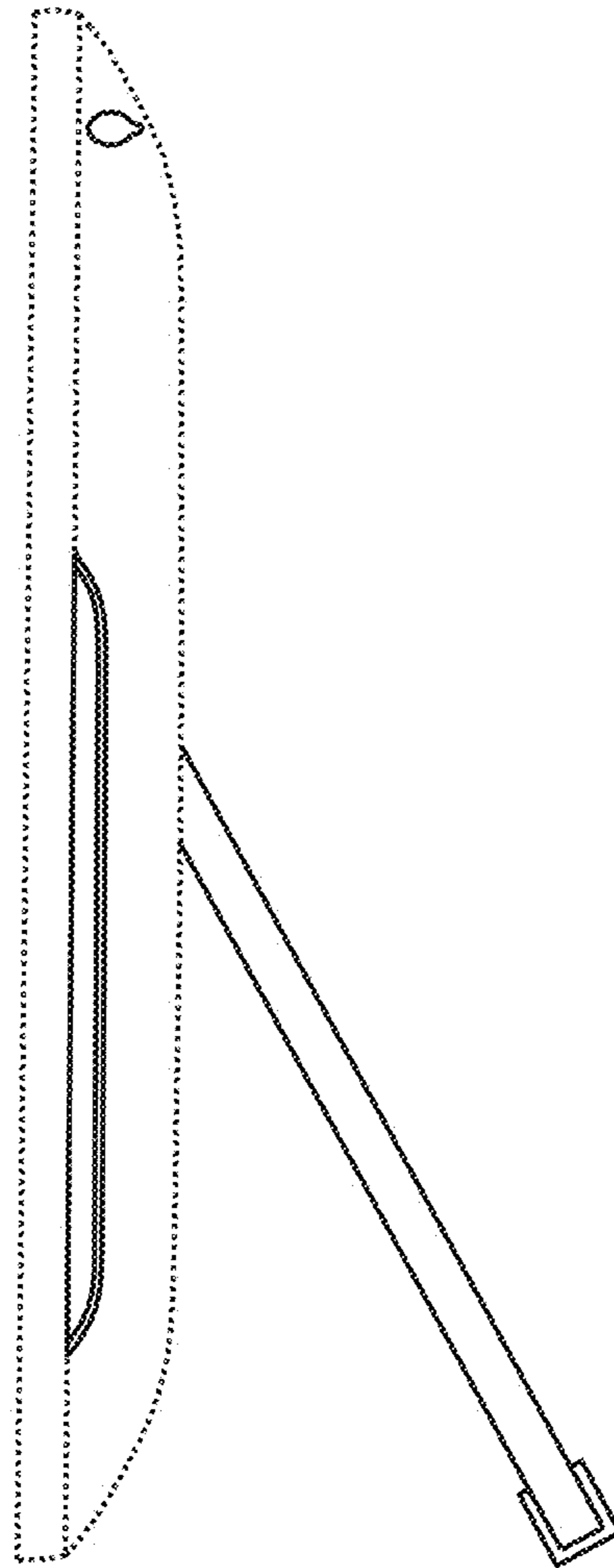


900
FIG. 9



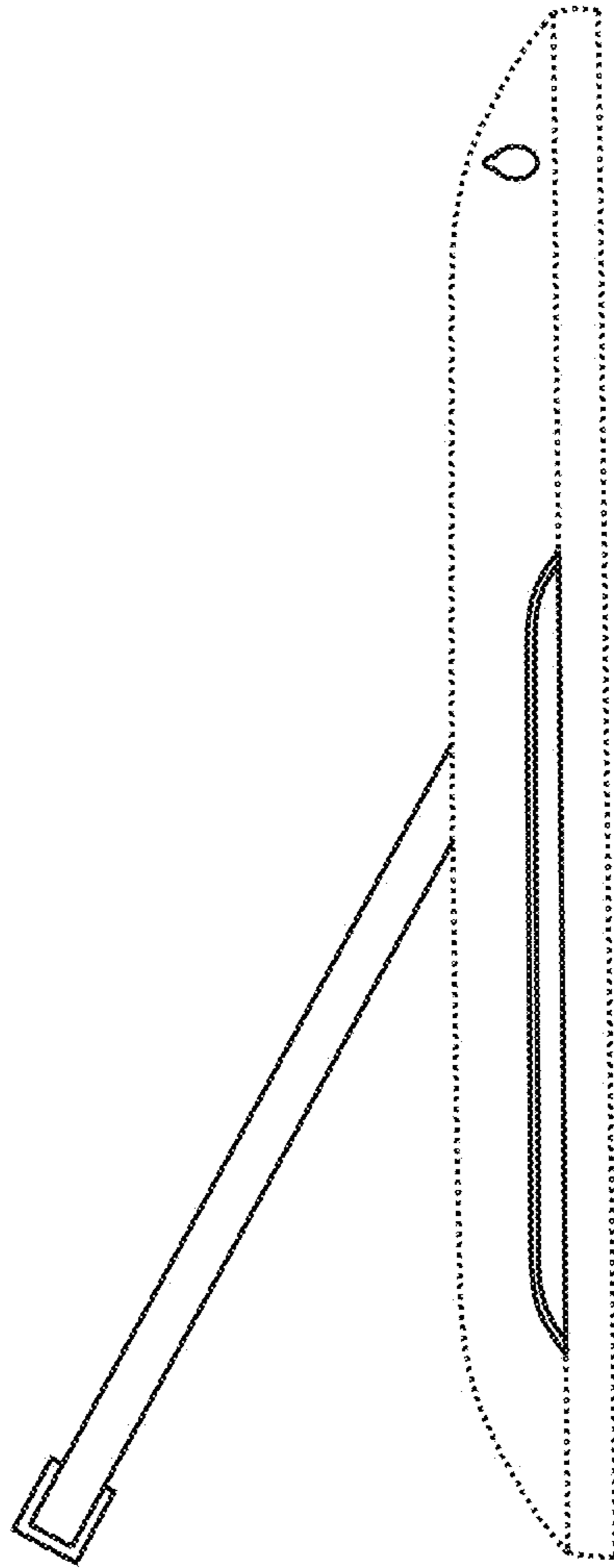
1000

FIG. 10



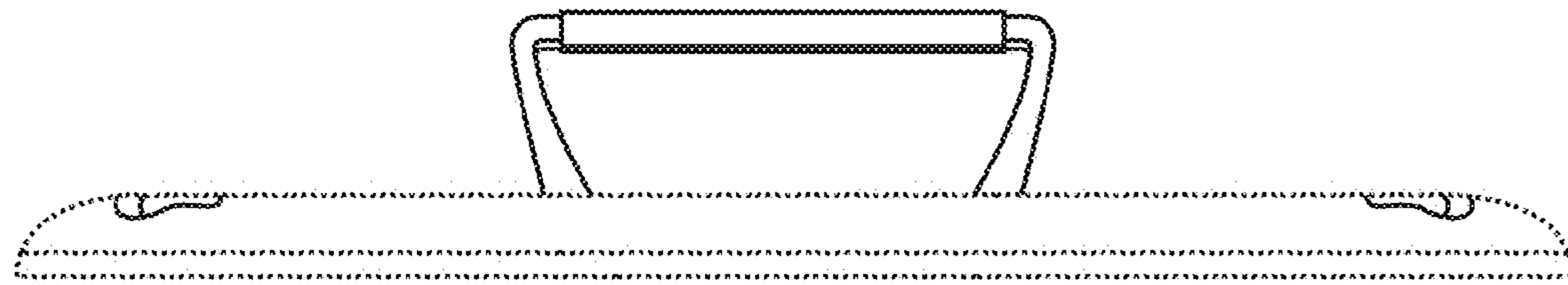
1100

FIG. 11

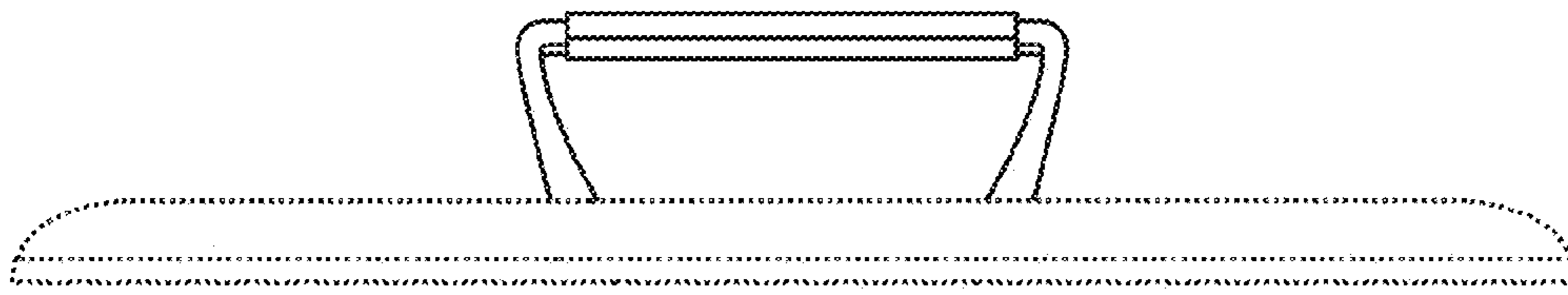


1200

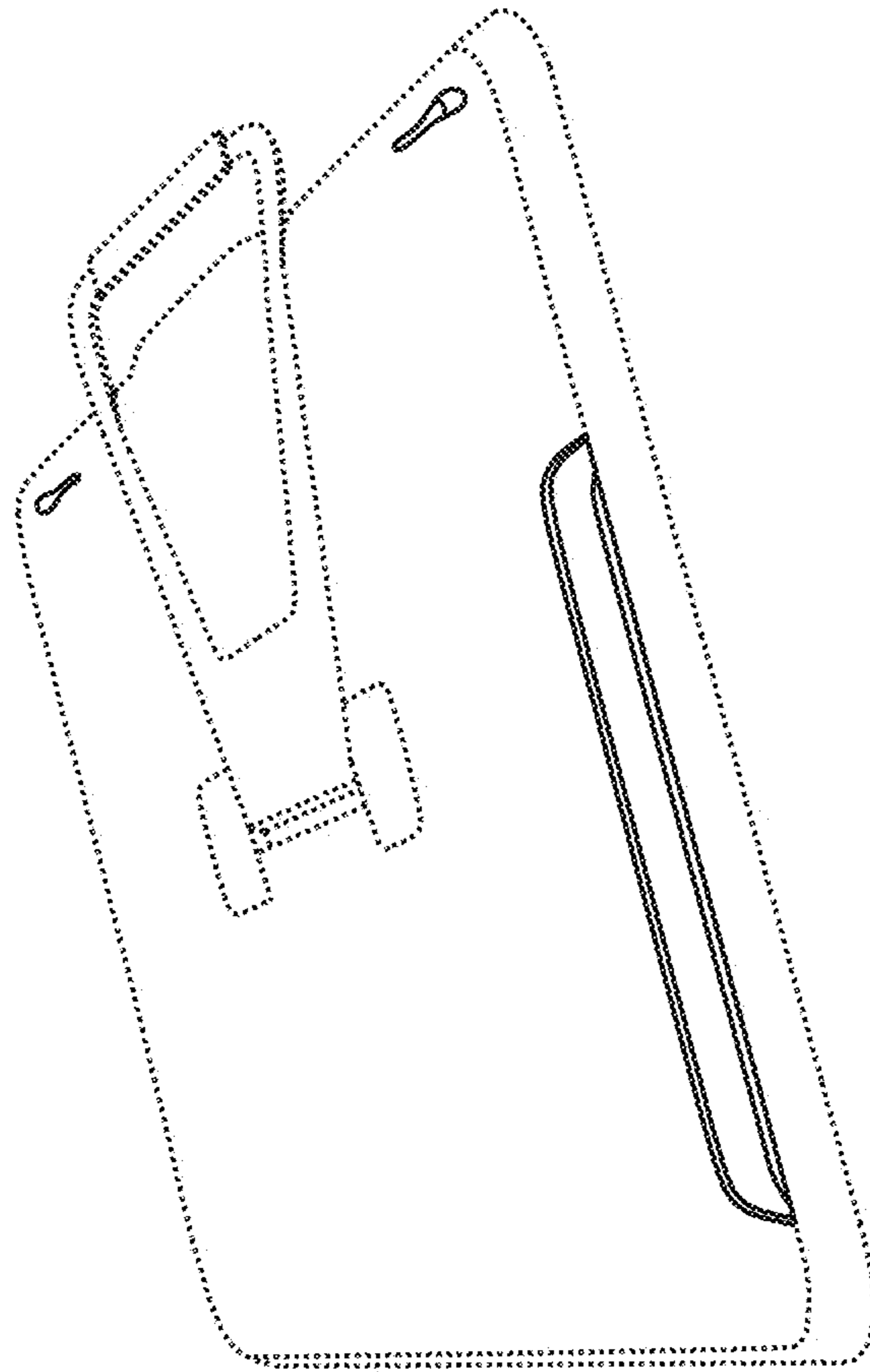
FIG. 12



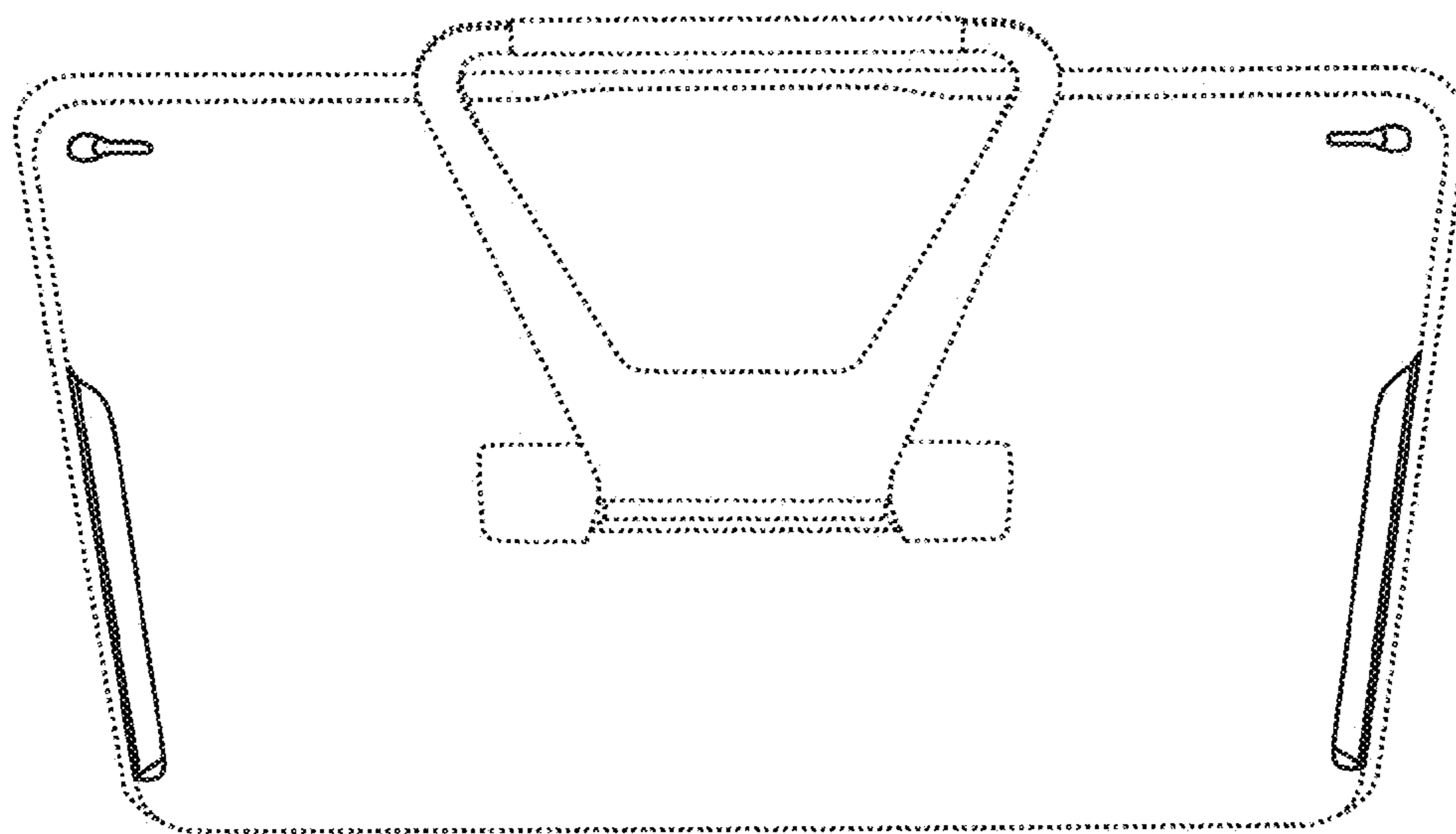
1300
FIG. 13



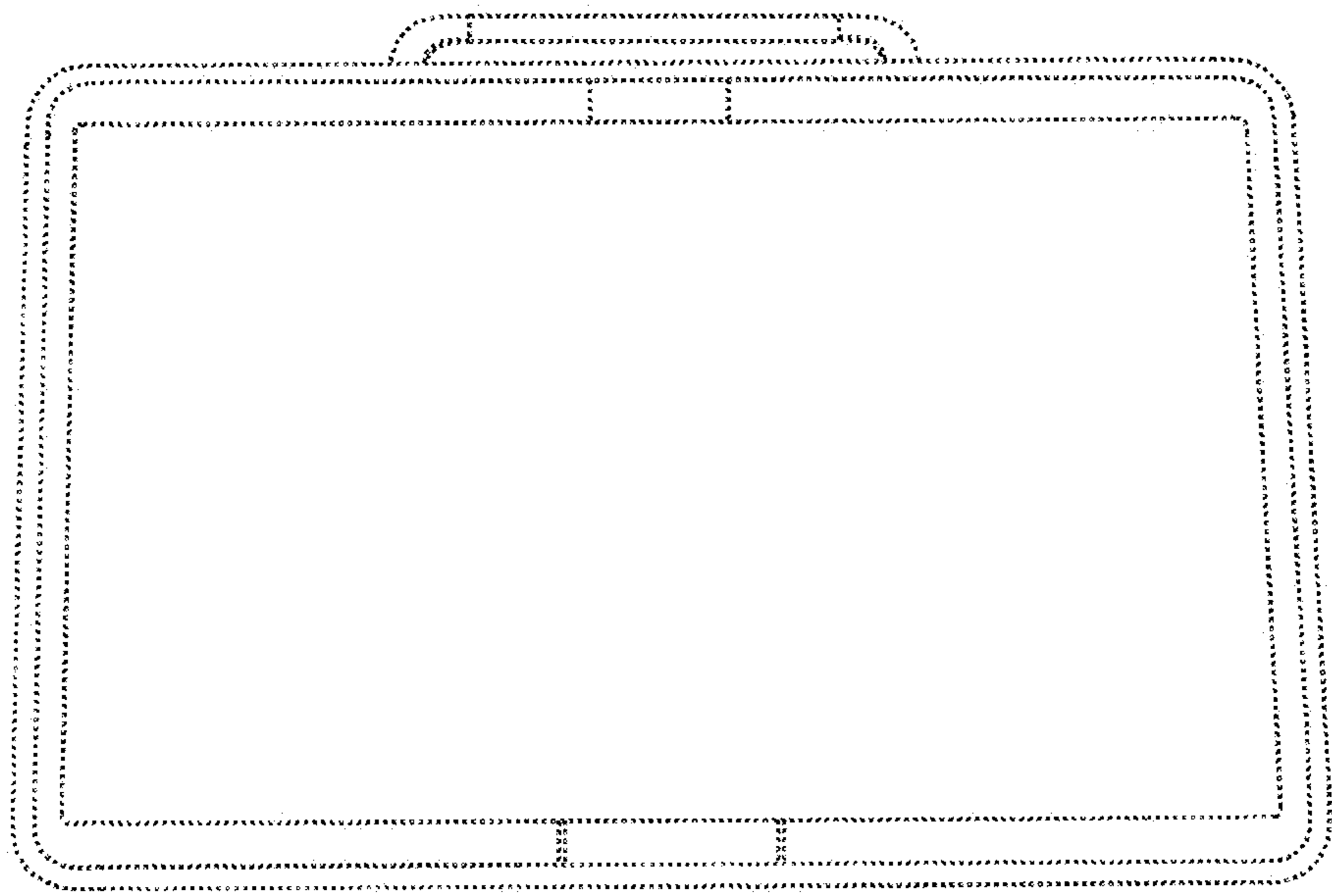
1400
FIG. 14



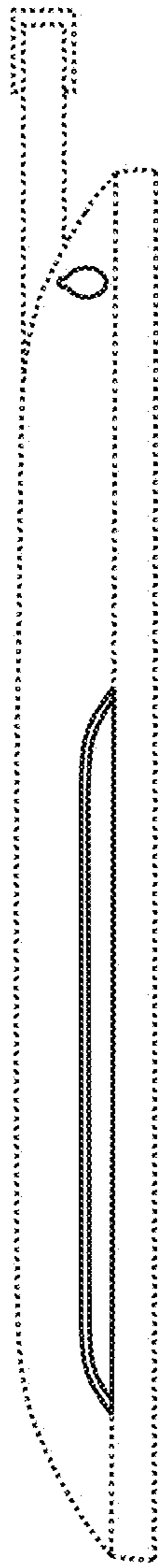
1500
FIG. 15



1600
FIG. 16

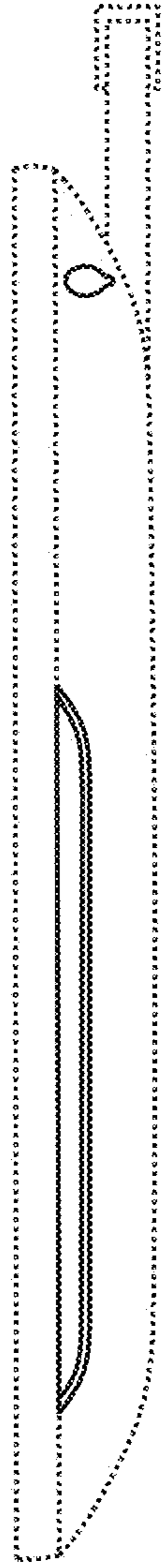


1700
FIG. 17



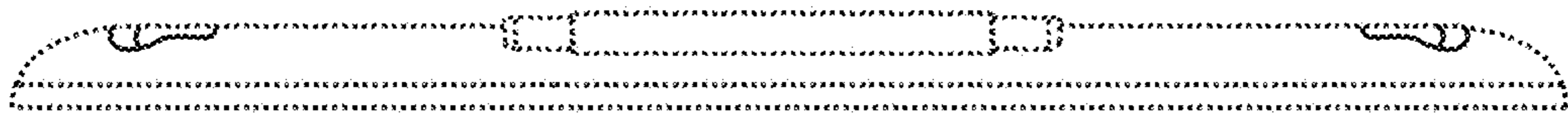
1800

FIG. 18



1900

FIG. 19



2000
FIG. 20