



US00D747316S

(12) **United States Design Patent**
Mathews

(10) **Patent No.:** **US D747,316 S**
(45) **Date of Patent:** **** Jan. 12, 2016**

- (54) **ADJUSTABLE, MULTI-POSITION SUPPORT DEVICE FOR ELECTRONIC DEVICES AND HANDHELD DEVICES**
- (71) Applicant: **Patrick B. Mathews**, London (GB)
- (72) Inventor: **Patrick B. Mathews**, London (GB)
- (73) Assignee: **Breffo USA LLC**, Portland, OR (US)
- (**) Term: **14 Years**
- (21) Appl. No.: **29/456,103**
- (22) Filed: **May 29, 2013**
- (51) **LOC (10) Cl.** **14-02**
- (52) **U.S. Cl.**
USPC **D14/432**
- (58) **Field of Classification Search**
USPC D14/300–302, 308–313, 314, 348,
D14/353–355, 432, 439–446, 461, 447;
D9/443; D8/320, 317, 316, 315, 307;
D7/394; D15/89; 439/63, 100;
345/163; 340/568.6; 16/114.1, 110.1
CPC F16M 11/04; F16M 11/041; F16M 11/10;
F16M 13/00; F16M 13/04; F16M 11/105;
H05K 5/0234; H05K 5/03; B65H 75/4476
See application file for complete search history.

(56) **References Cited**

U.S. PATENT DOCUMENTS

D203,160 S *	12/1965	Blum et al.	D25/121
3,612,475 A *	10/1971	Dinger	A61B 17/122 138/89
4,277,863 A *	7/1981	Faneuf	A44B 99/00 224/247
4,380,103 A *	4/1983	McGrath	A44B 99/00 24/30.5 P
5,109,576 A *	5/1992	Teekell	B65D 33/1675 24/30.5 P
5,125,606 A *	6/1992	Cassano	A47B 21/0371 248/118
D362,665 S *	9/1995	Knighton	D14/461
D498,965 S *	11/2004	Thompson	D6/601
D589,519 S *	3/2009	Smith	D14/461
D610,595 S *	2/2010	Baker	D15/89
D617,513 S *	6/2010	Still	D32/29.1
D618,244 S *	6/2010	Sweet	D14/299

D629,023 S *	12/2010	Jeon	D15/89
D642,446 S *	8/2011	Roe	D8/320
D644,647 S *	9/2011	Sykes	D14/447
D665,195 S *	8/2012	Hsieh	D8/71
8,374,657 B2 *	2/2013	Interdonato	H04B 1/385 379/433.07
D689,479 S *	9/2013	Soffer	D14/253
D693,813 S *	11/2013	Symons	D14/432
D710,195 S *	8/2014	Caldecourt	D9/434
D721,373 S *	1/2015	Logereau	D14/432
8,960,630 B2 *	2/2015	Fu	F16M 11/10 248/371
D735,695 S *	8/2015	Murphy	D14/217
2010/0222118 A1 *	9/2010	Interdanato	H04B 1/385 455/575.6

* cited by examiner

Primary Examiner — Austin Murphy
(74) *Attorney, Agent, or Firm* — Hoang Steve Ngo

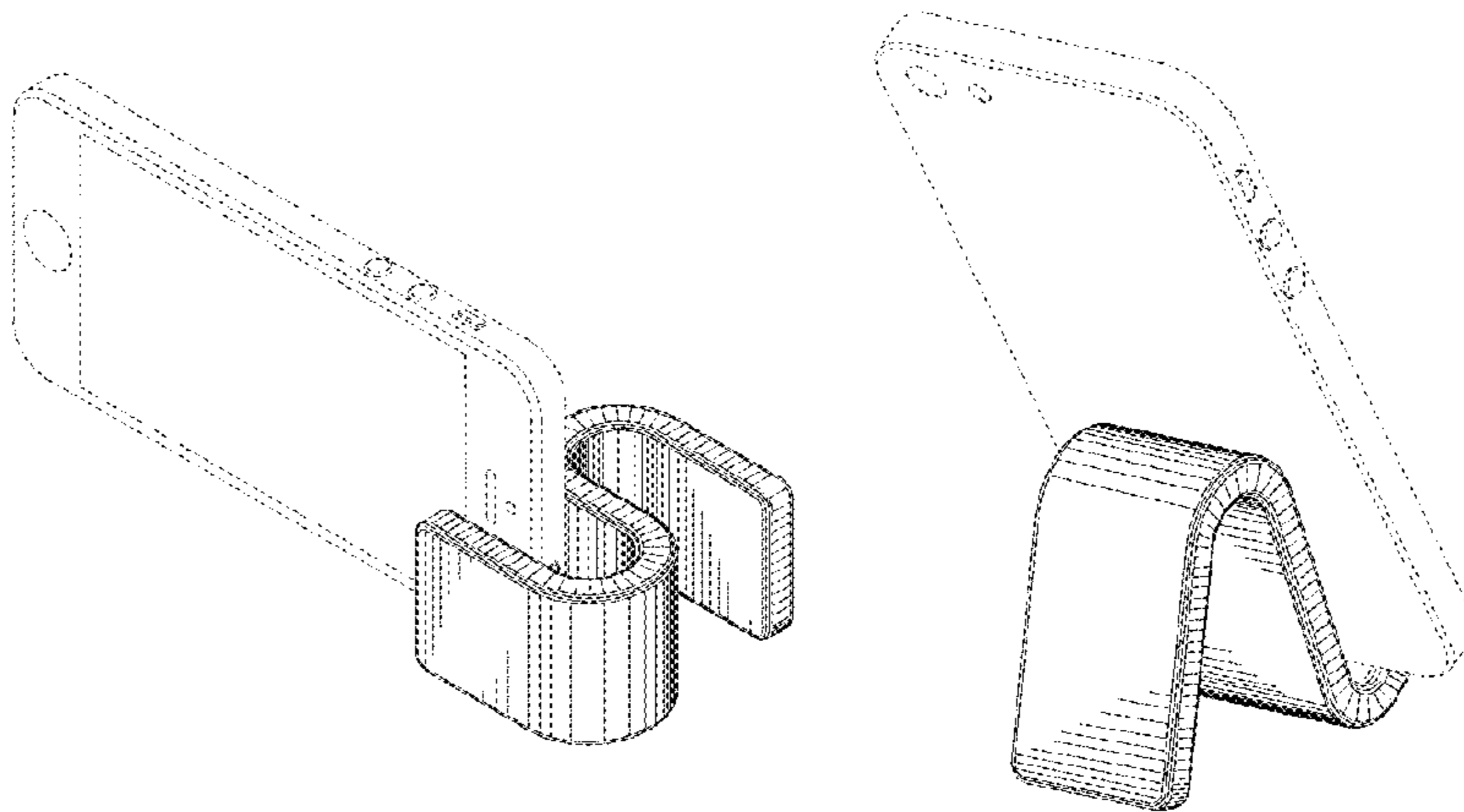
(57) **CLAIM**

The ornamental design for an adjustable, multi-position support device for electronic devices and handheld devices, as shown and described.

DESCRIPTION

FIG. 1 is a front view of an adjustable, multi-position support device for electronic devices and handheld devices showing a new design, the rear view being a mirror image thereof; FIG. 2 is a right side view of the adjustable, multi-position support device of FIG. 1, the left side view being a mirror image thereof; FIG. 3 is a top view of the adjustable, multi-position support device of FIG. 1, the bottom view being a mirror image thereof; FIG. 4 is a perspective, front and right side view thereof, wherein the support device is in a relaxed position; FIG. 5 is an environmental, perspective, left side view thereof, wherein the support device is in a first use position; FIG. 6 is an environmental, perspective, right side view thereof, wherein the support device is in the first use position; FIG. 7 is an environmental, perspective, front view thereof, wherein the support device is in a second use position; and, FIG. 8 is an environmental, perspective, rear view thereof, wherein the support device is in the second use position. The broken lines shown in the drawing views are included for illustrative purposes only, and form no part of the claimed design.

1 Claim, 6 Drawing Sheets



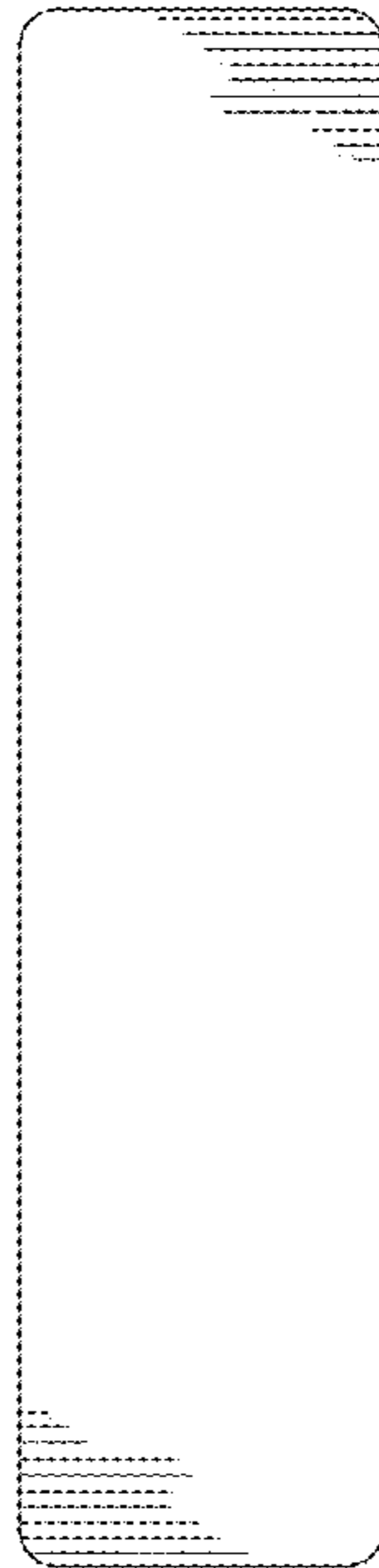


FIG. 1

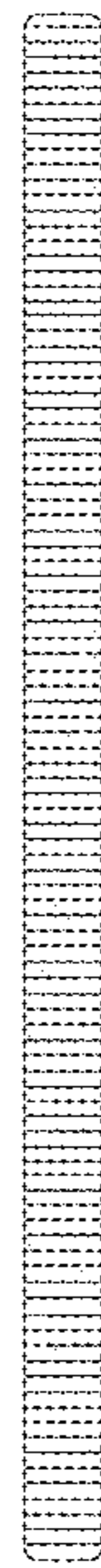


FIG. 2



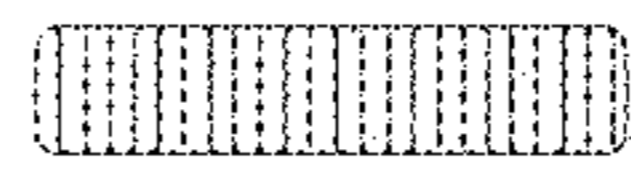


FIG. 3



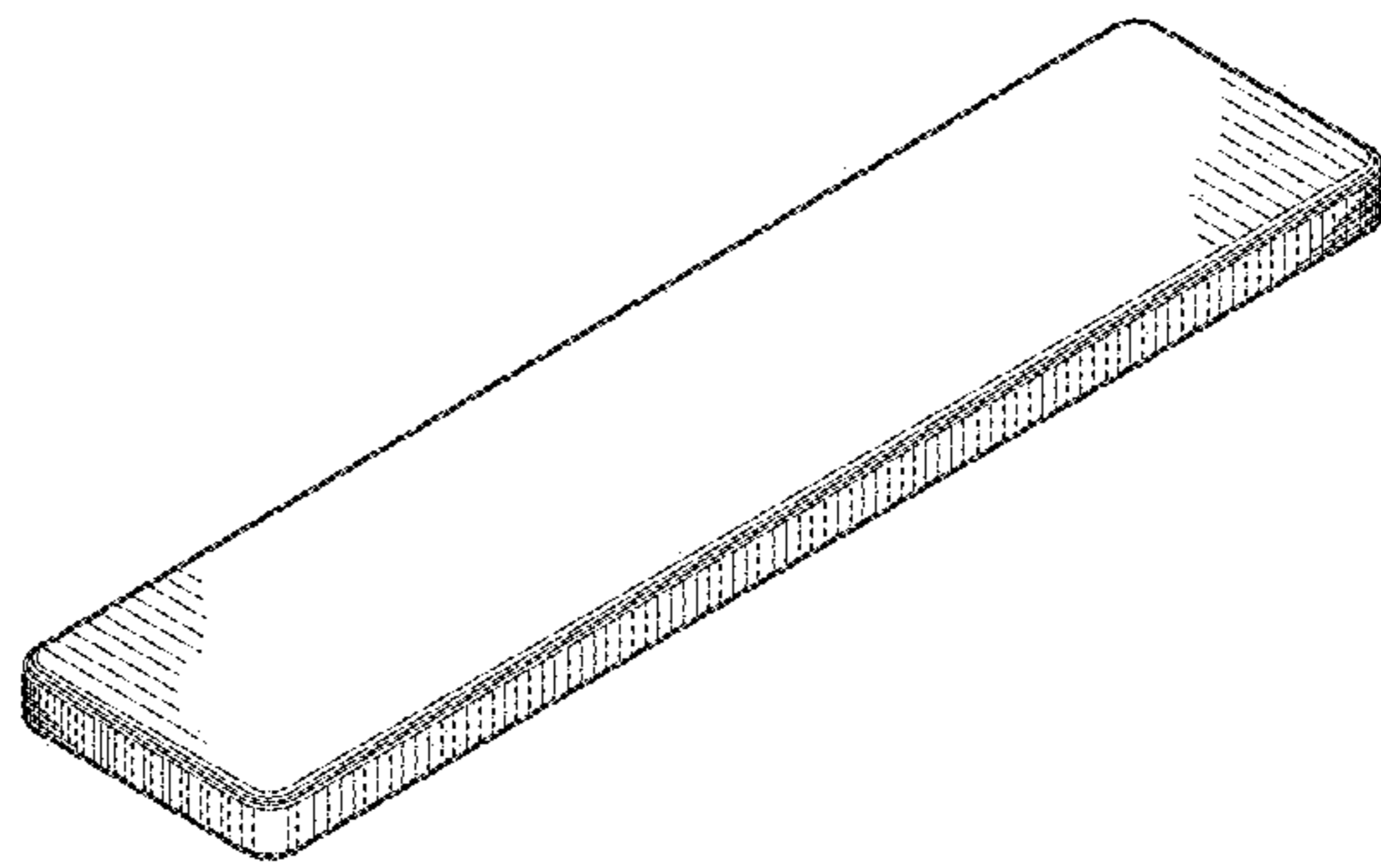


FIG. 4

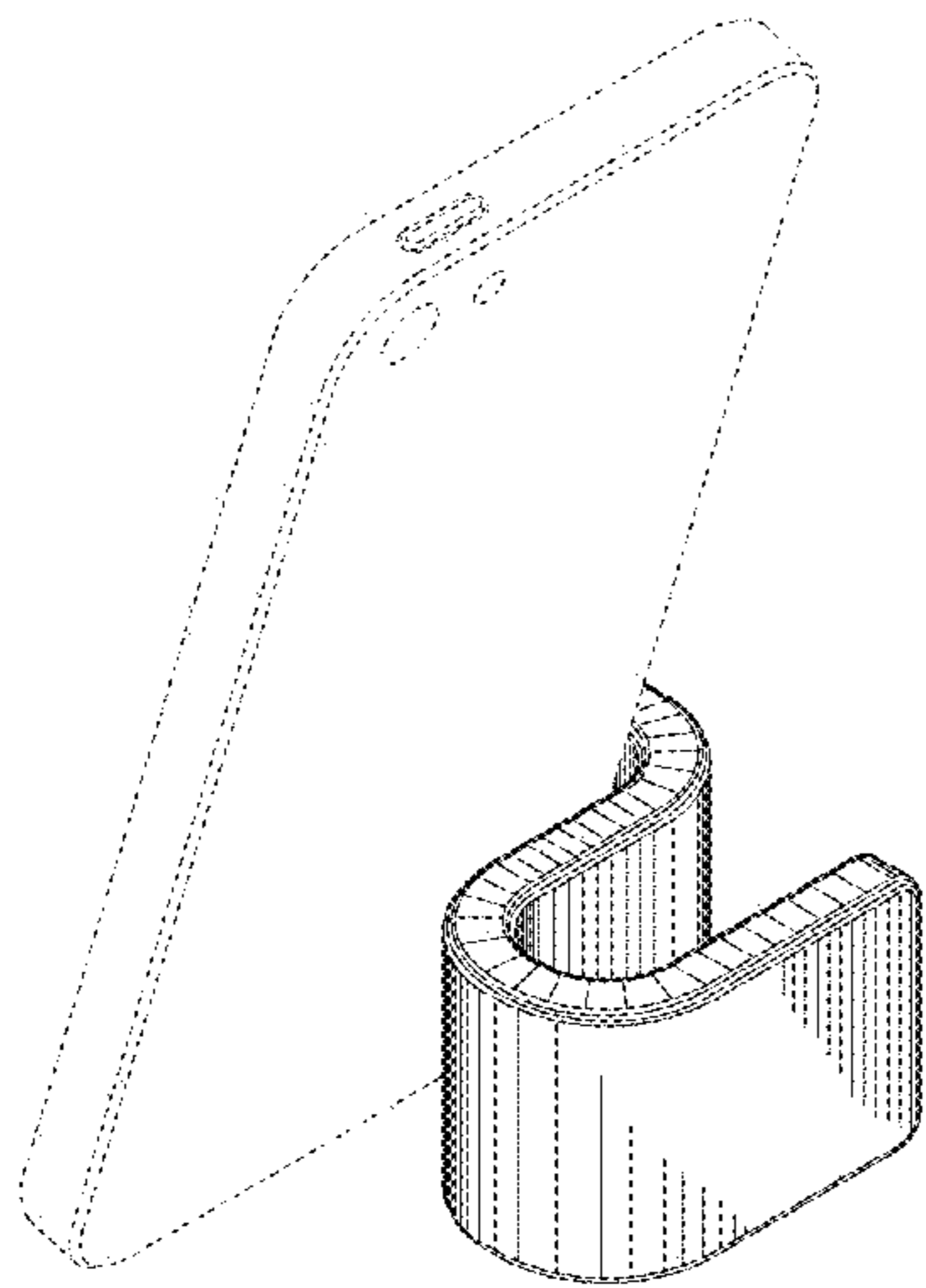


FIG. 5

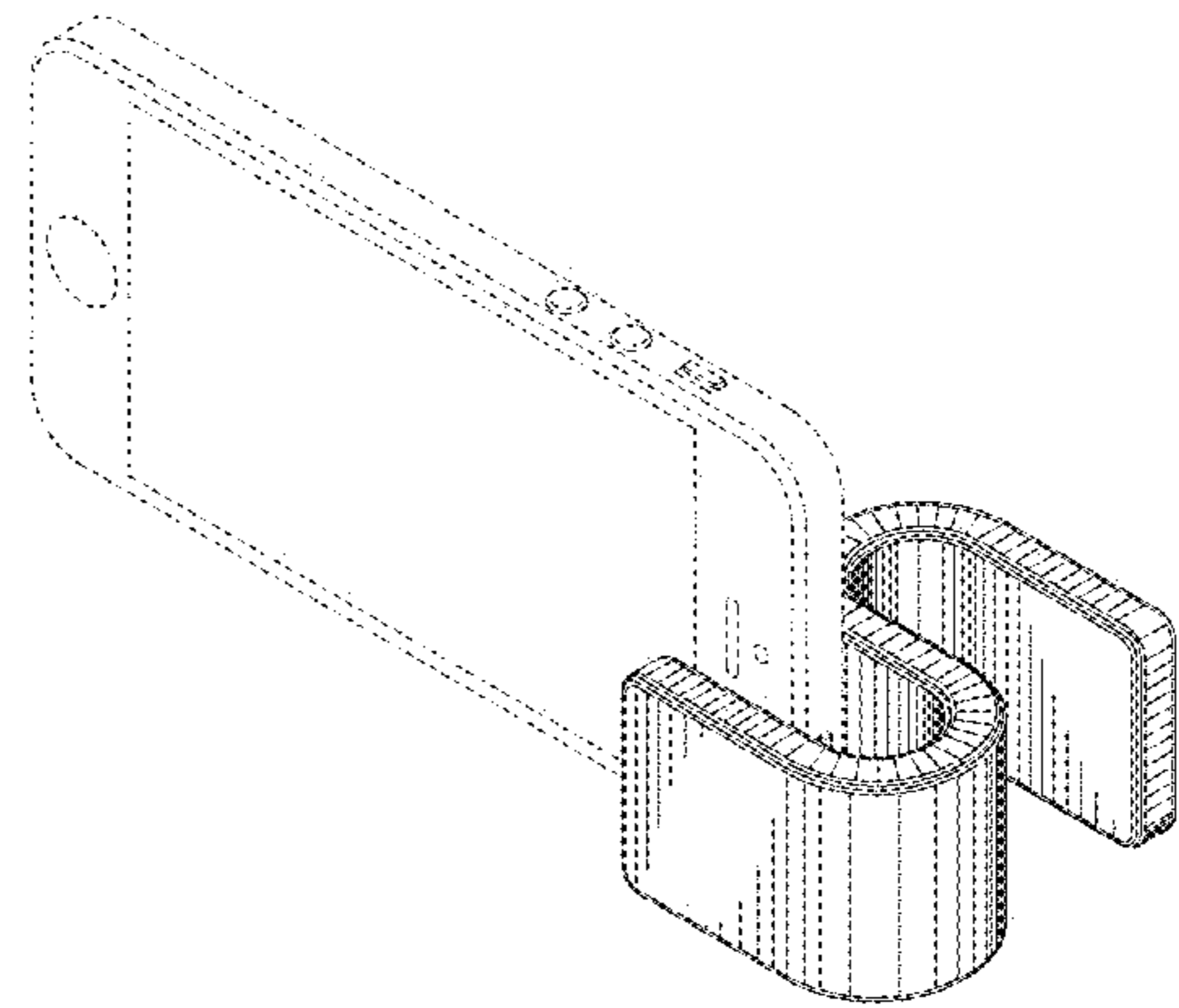


FIG. 6

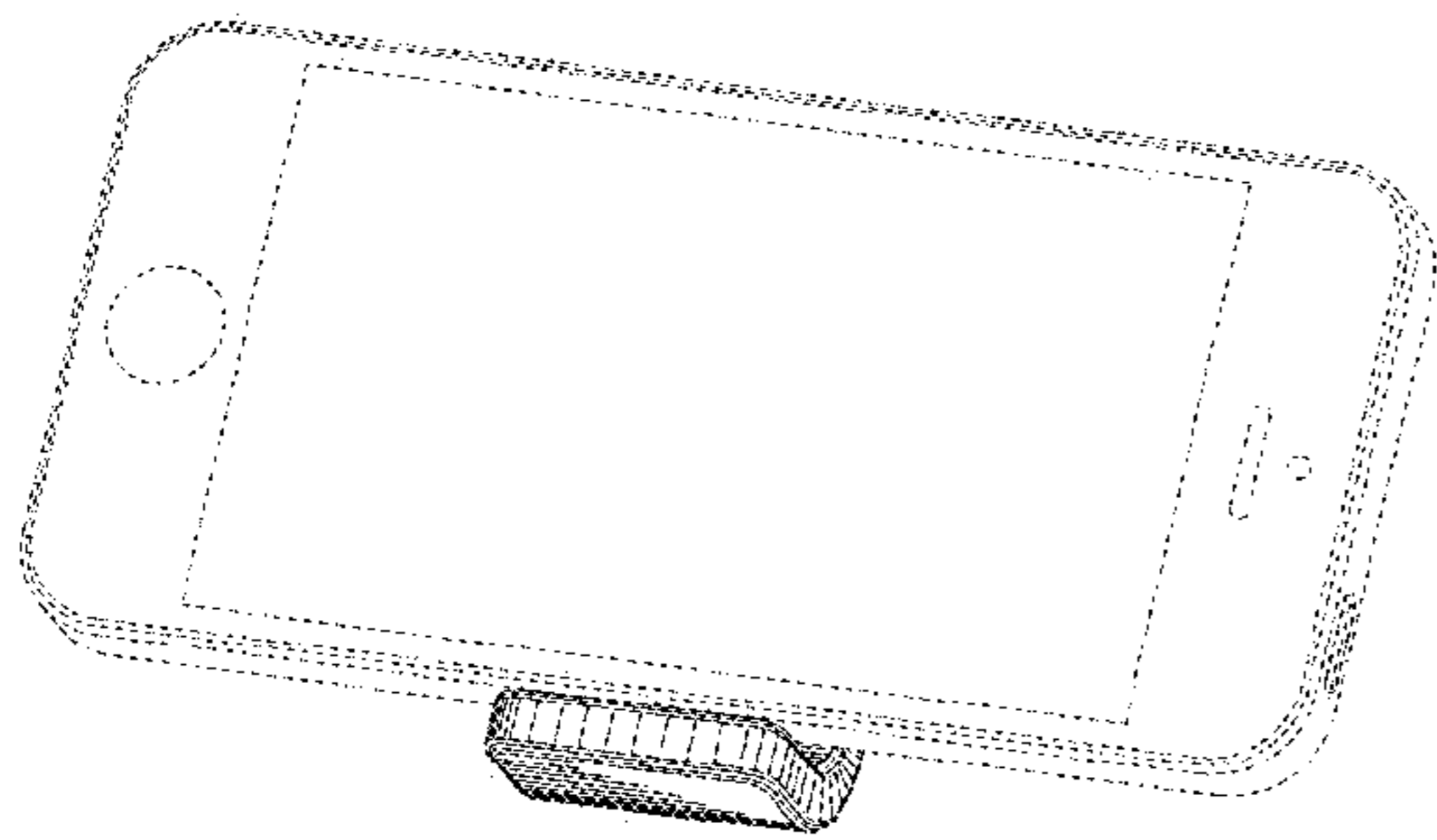


FIG. 7

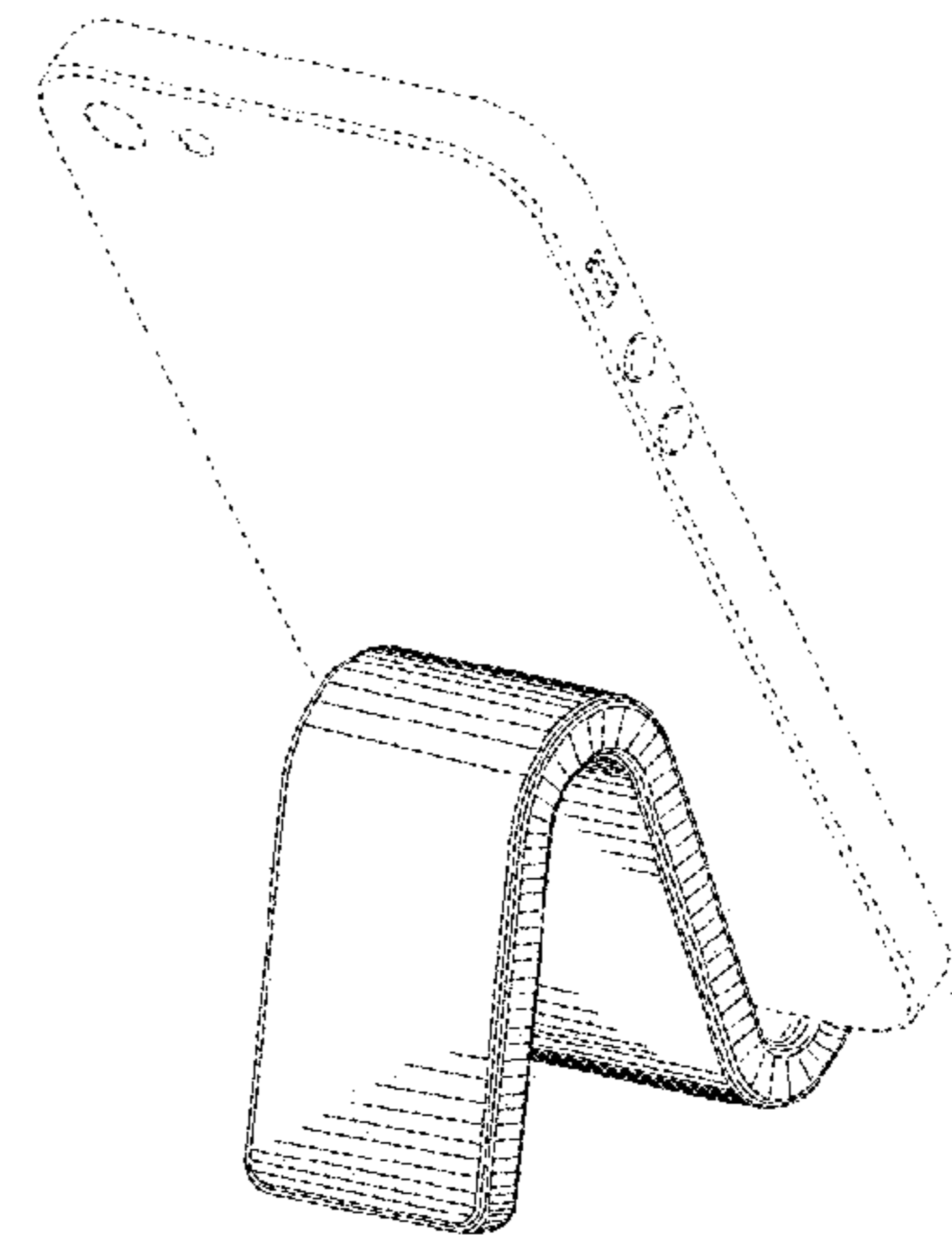


FIG. 8