



US00D747314S

(12) **United States Design Patent**
Sandusky et al.

(10) **Patent No.:** **US D747,314 S**
(45) **Date of Patent:** **** Jan. 12, 2016**

- (54) **LOW PROFILE EXHAUST HOOD**
- (71) Applicant: **OY HALTON GROUP LTD.**, Helsinki (FI)
- (72) Inventors: **Jimmy Sandusky**, Bowling Green, KY (US); **Gregory Lyons**, Tompkinsville, KY (US)
- (73) Assignee: **OY HALTON GROUP LTD.**, Helsinki (FI)
- (**) Term: **14 Years**
- (21) Appl. No.: **29/496,333**
- (22) Filed: **Jul. 11, 2014**
- (51) **LOC (10) Cl.** **23-04**
- (52) **U.S. Cl.**
USPC **D14/371; D7/402**
- (58) **Field of Classification Search**
USPC D23/370–372, 387, 499; D6/657, 660, D6/661.3, 672; D7/402, 339, 347, 348, D7/403–407, 354, 323; D15/122; 126/299 C, 299 D, 299 R
CPC F24C 15/00; F24C 15/12; F24C 15/20; F24C 15/2028; F24C 15/2042; F24C 15/36
See application file for complete search history.

(56) **References Cited**

U.S. PATENT DOCUMENTS

D231,615 S *	5/1974	Nygaard et al.	D23/372
D309,659 S *	7/1990	Welsh	D23/387
D323,707 S *	2/1992	Fay	D23/371
D335,420 S *	5/1993	Moore	D7/347
D349,158 S *	7/1994	Lieblein	D23/371
D380,823 S *	7/1997	LaZar	D23/372
D450,829 S *	11/2001	Bothe et al.	D23/372
D471,268 S *	3/2003	Segers	D23/372

D546,622 S *	7/2007	McKenzie	D7/402
D581,735 S *	12/2008	McKenzie	D7/402
D601,180 S *	9/2009	Takeda	D16/235
D618,330 S	6/2010	Wolfe		
D638,253 S *	5/2011	Tomczyk et al.	D7/354
D677,775 S *	3/2013	Funnell, II	D23/371
D699,831 S *	2/2014	Funnell, II	D23/371
D718,979 S *	12/2014	Faller et al.	D7/402

OTHER PUBLICATIONS

Taiwan IPO Search Report for TW Design Patent Application No. 104300012 with English translation.

* cited by examiner

Primary Examiner — Susan Bennett Hattan

Assistant Examiner — Marie Fast Horse

(74) *Attorney, Agent, or Firm* — Miles & Stockbridge P.C.; Mark A. Catan

(57) **CLAIM**

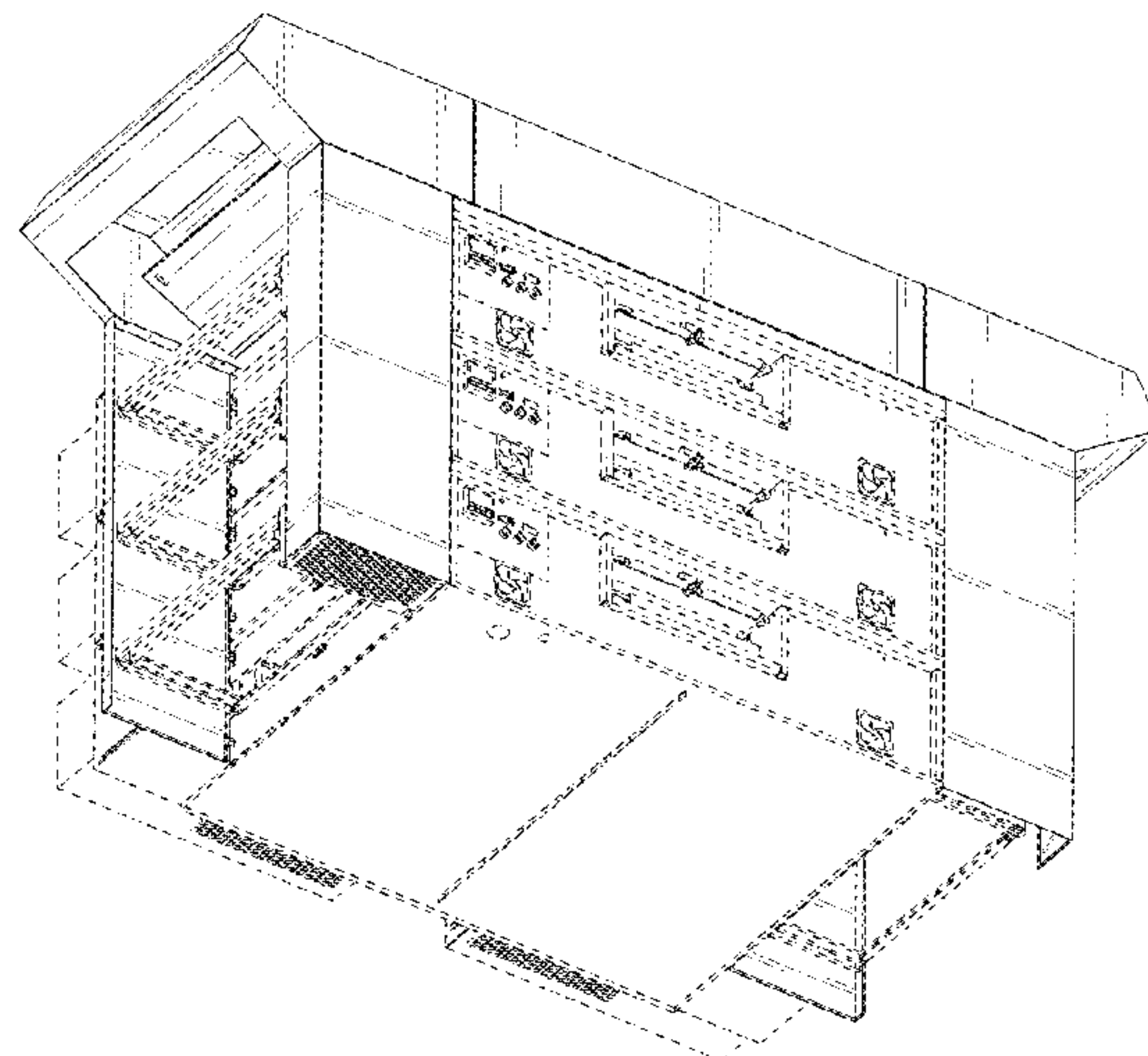
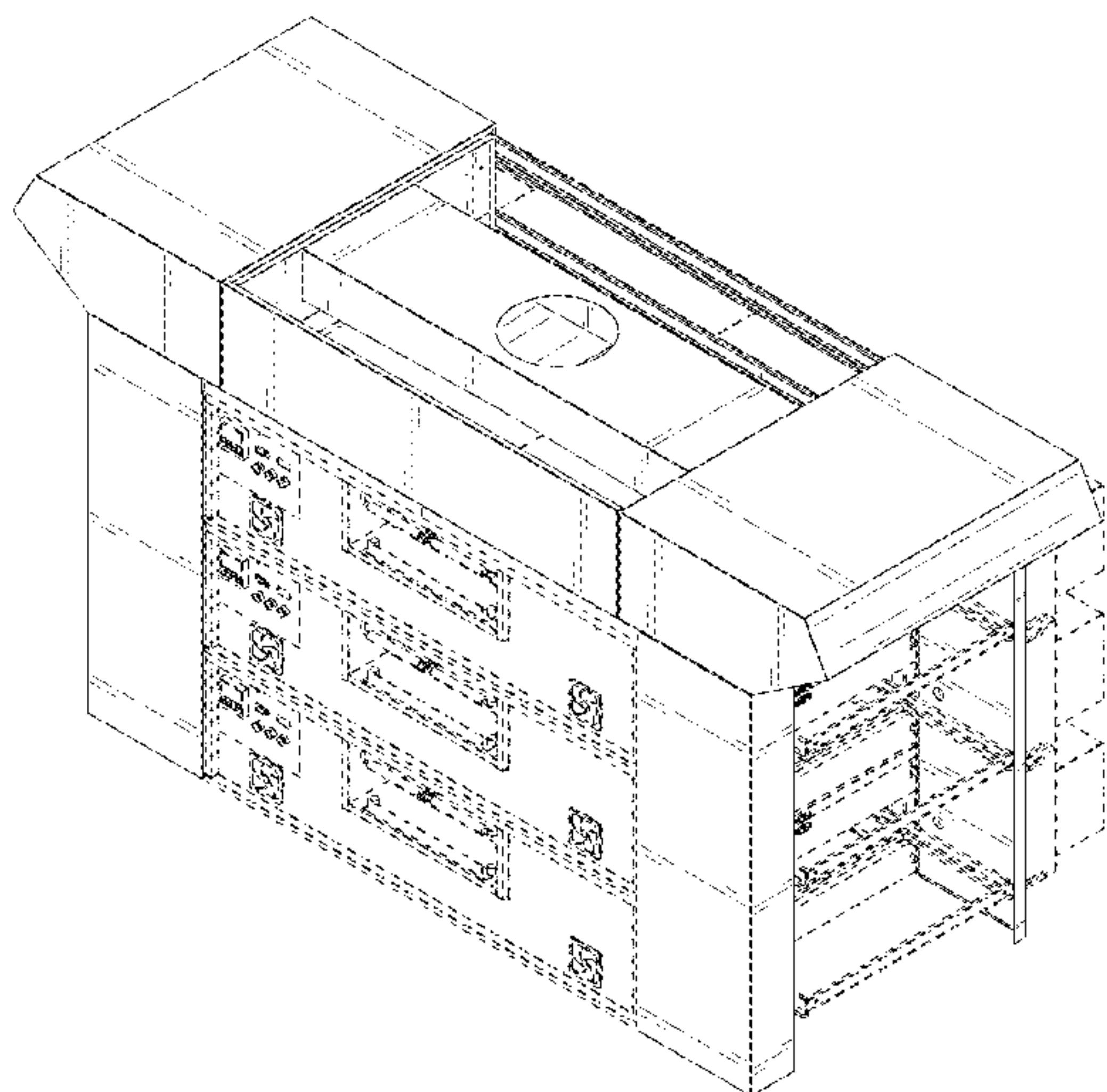
The ornamental design for a low profile exhaust hood, as shown and described.

DESCRIPTION

FIG. 1 is a top right perspective view of the low profile exhaust hood, showing the new design;
 FIG. 2 is a bottom left perspective view thereof;
 FIG. 3 is a bottom right perspective view thereof;
 FIG. 4 is a front elevational view thereof;
 FIG. 5 is a rear elevational view thereof;
 FIG. 6 is a side elevational view thereof;
 FIG. 7 is another side elevational view thereof;
 FIG. 8 is a top plan view thereof; and,
 FIG. 9 is a bottom plan view thereof.

The broken lines are included for the purpose of illustrating unclaimed portions of the low profile exhaust hood and form no part of the claimed design.

1 Claim, 9 Drawing Sheets



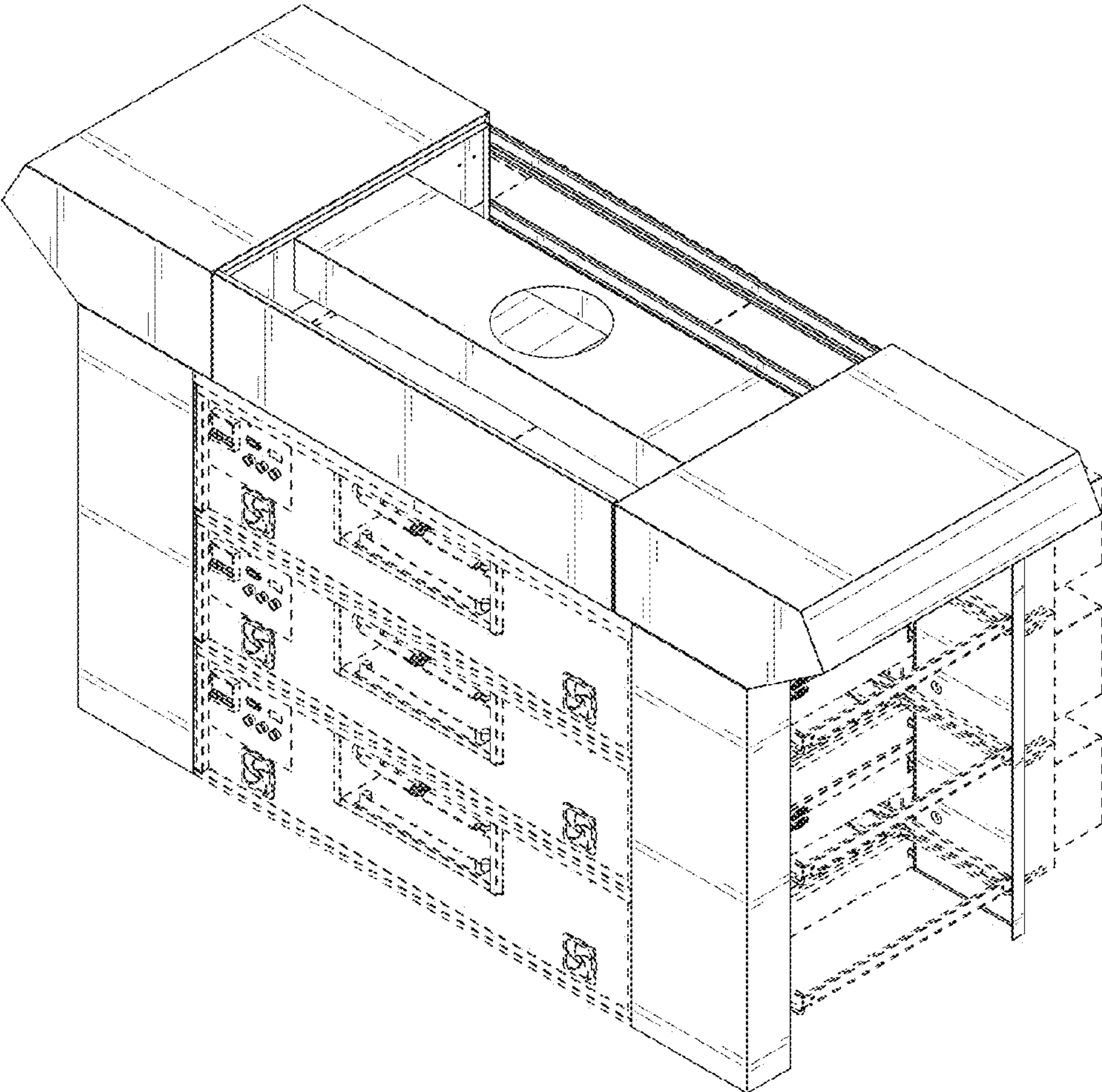


FIG. 1

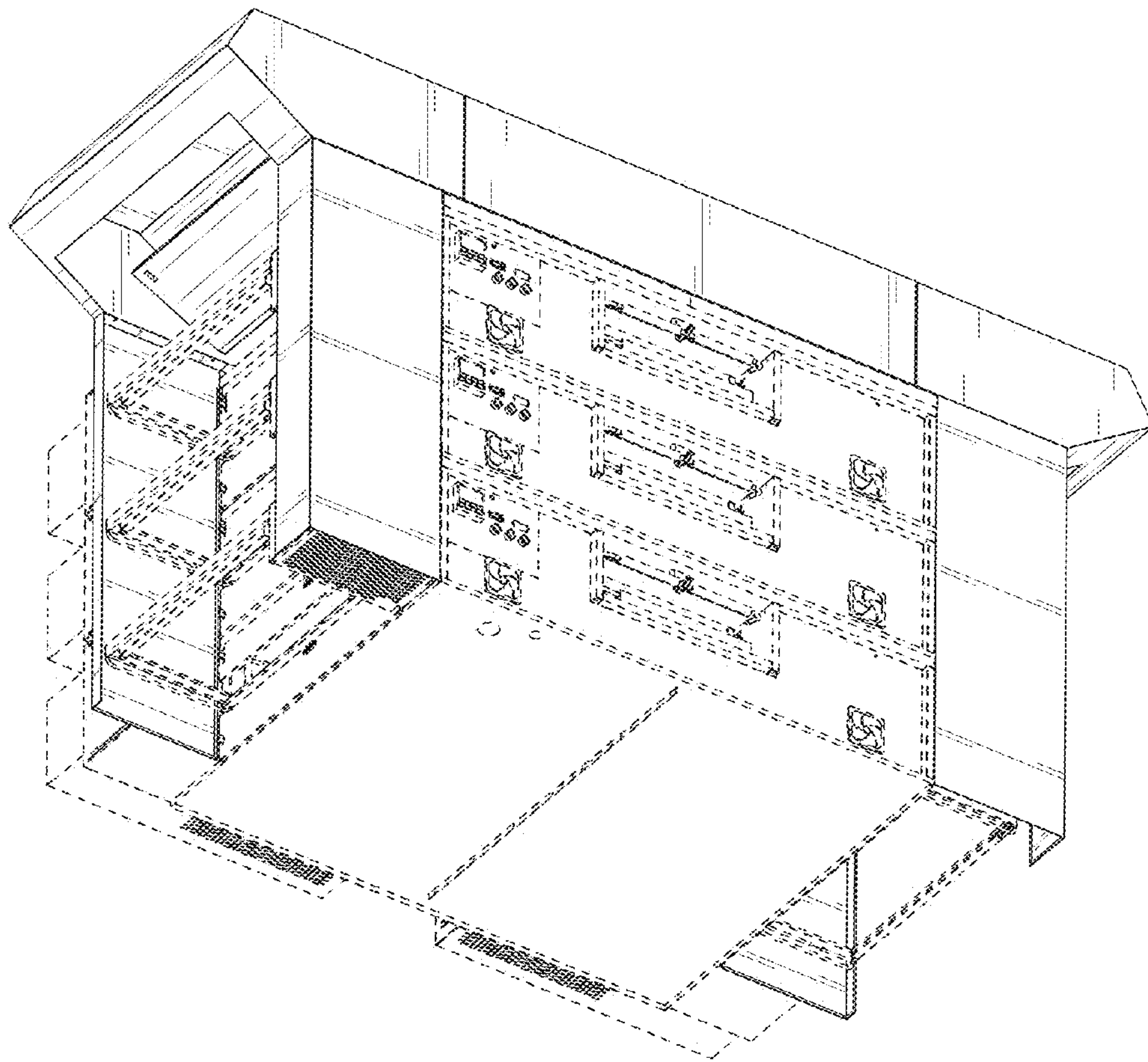


FIG. 2

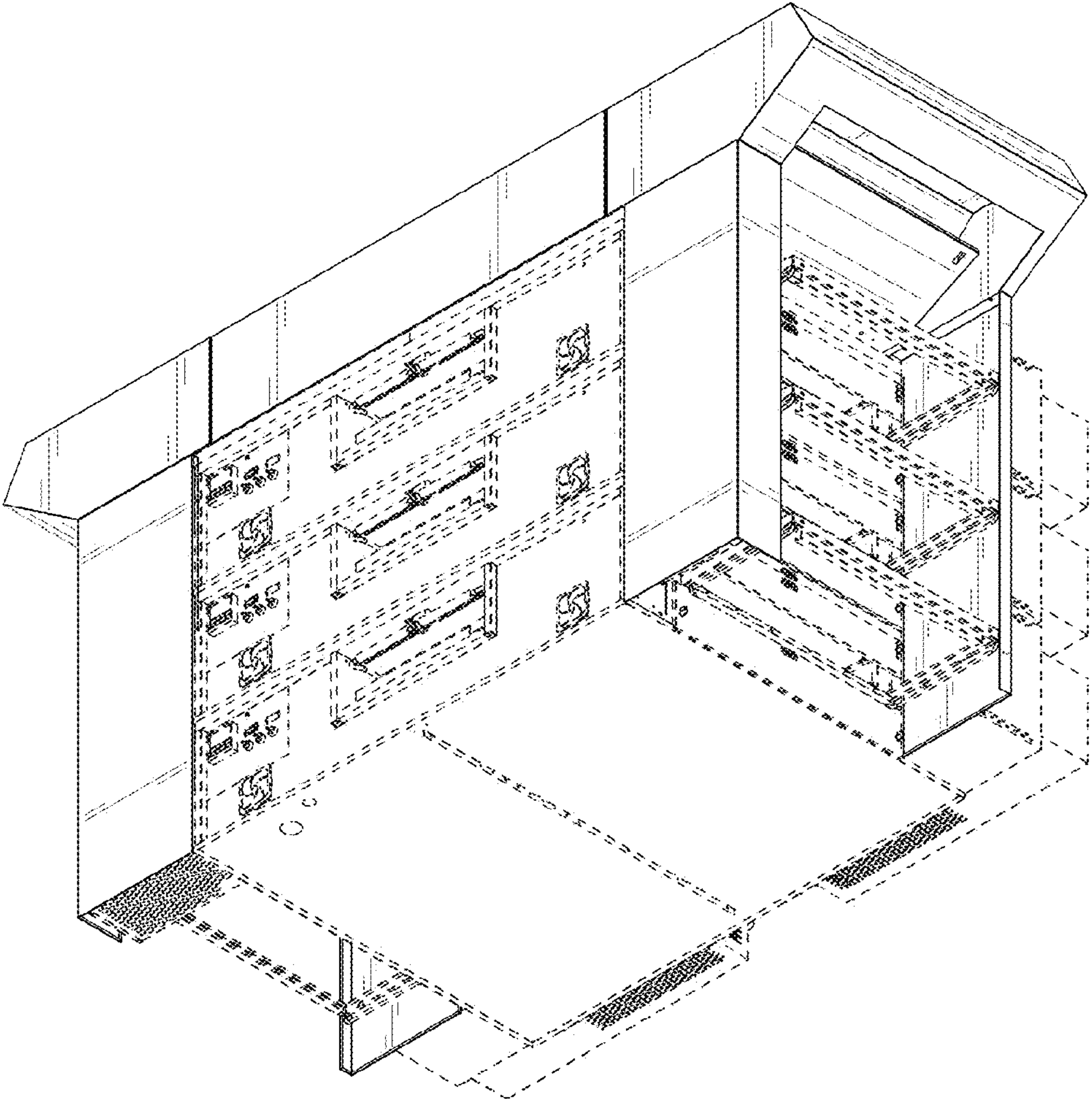


FIG. 3

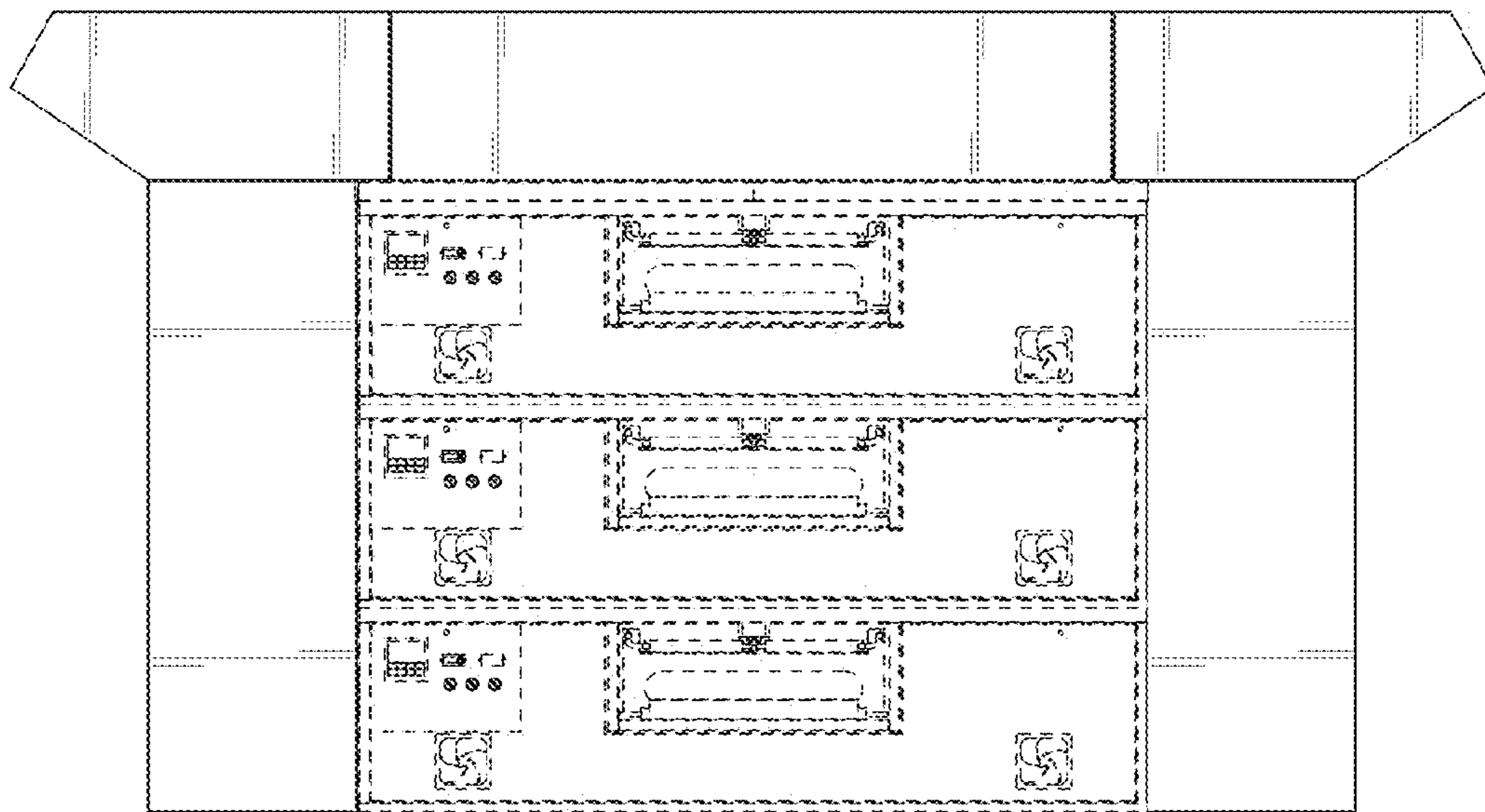


FIG. 4

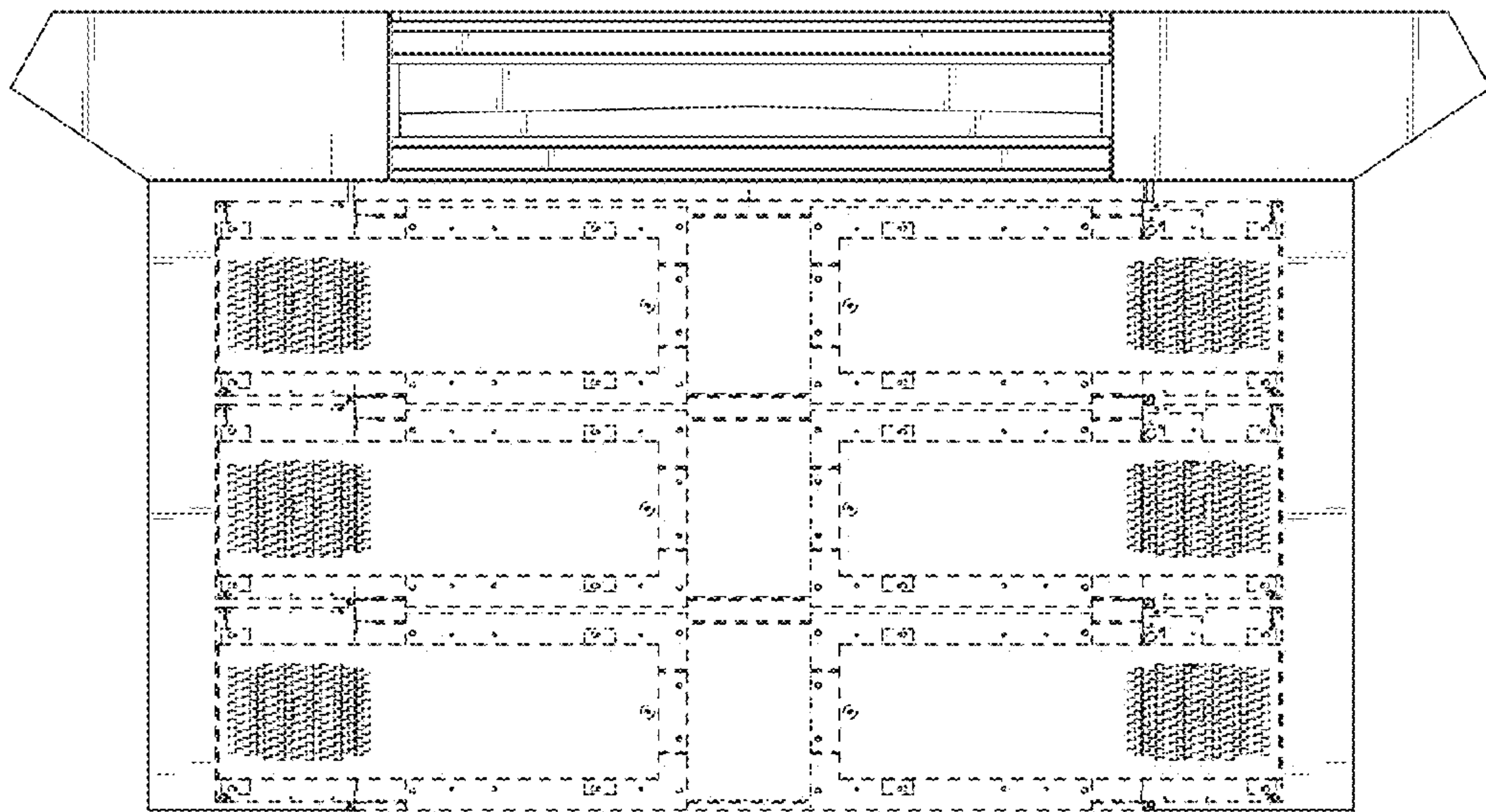


FIG. 5

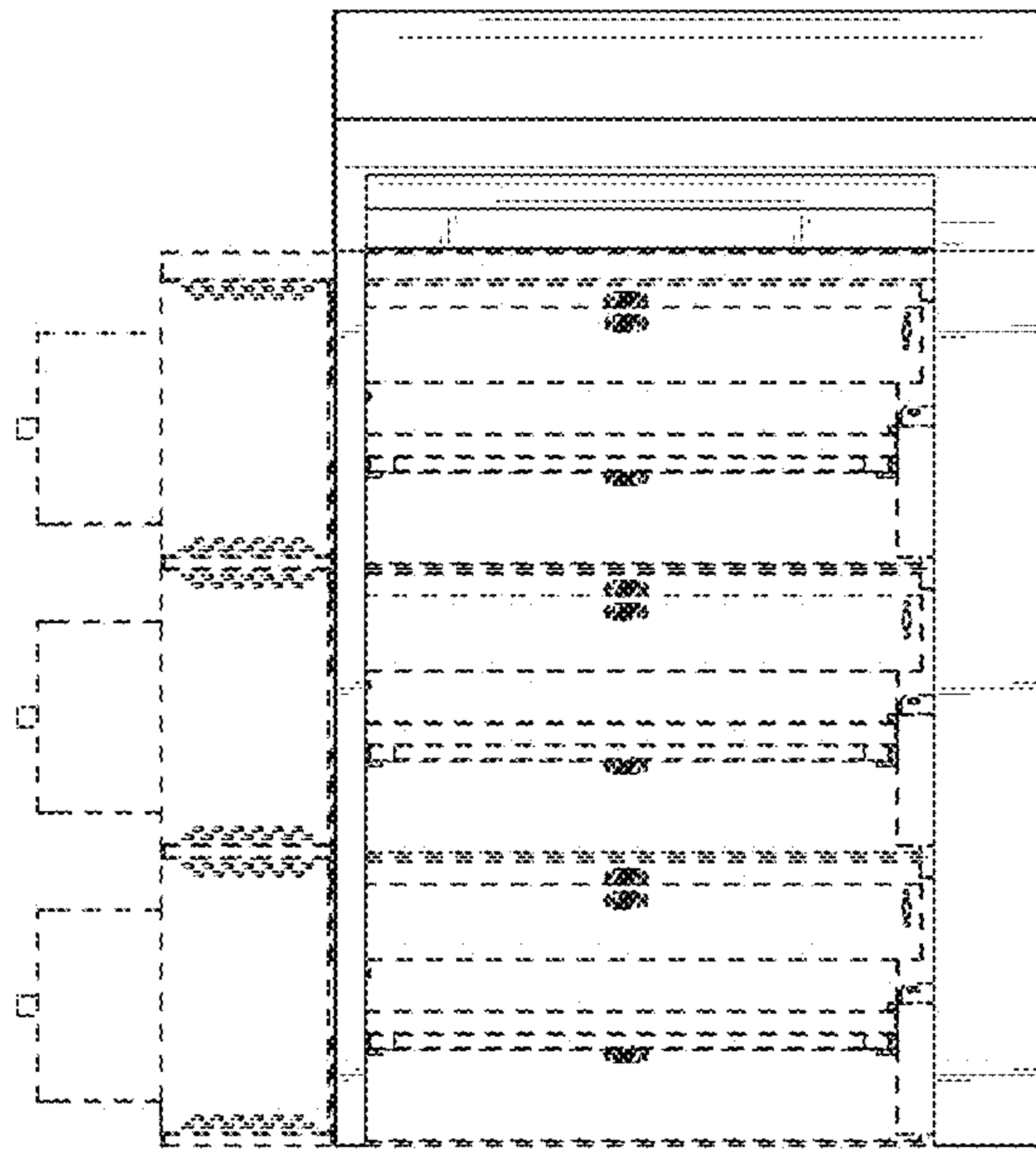


FIG. 6

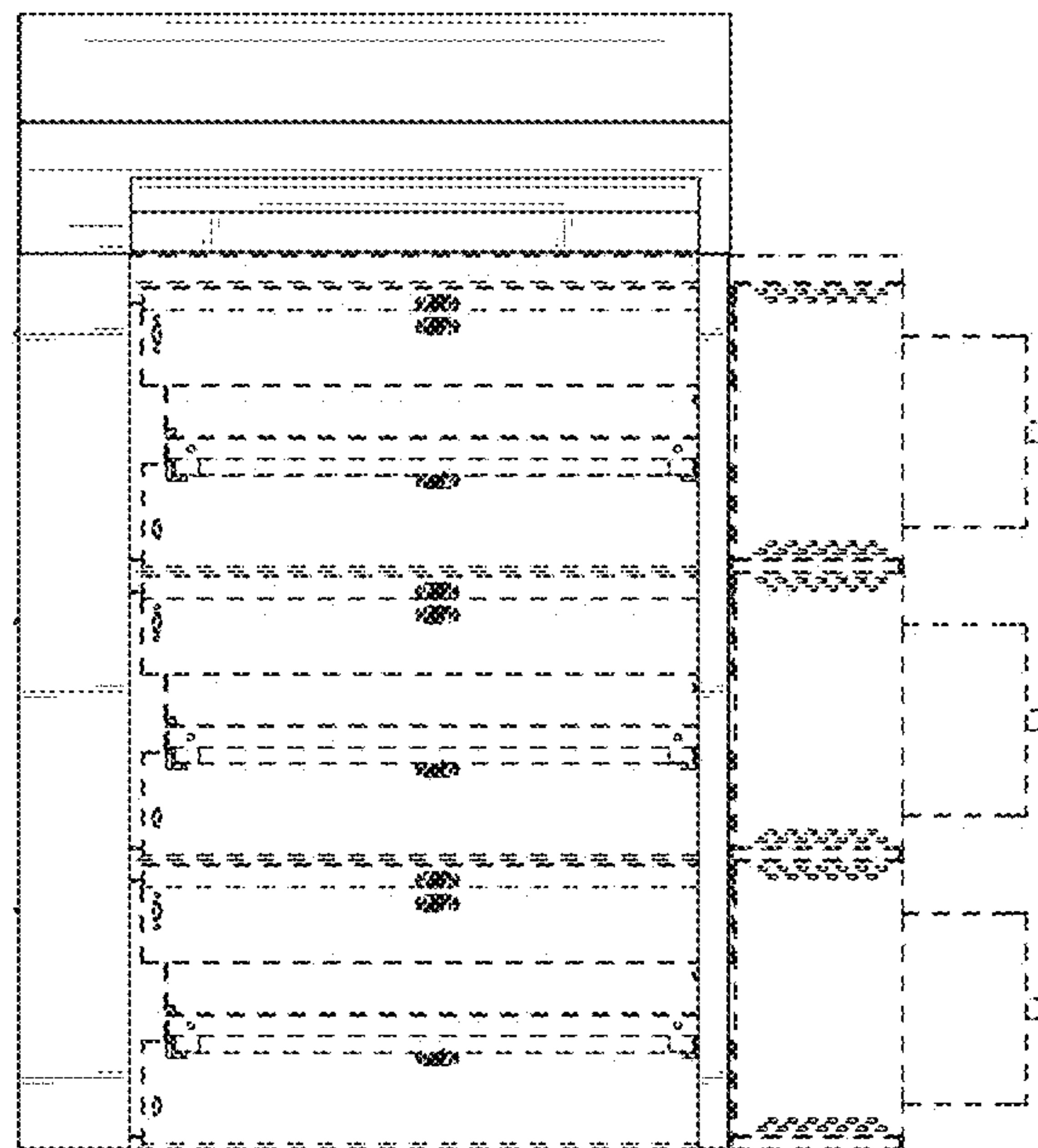


FIG. 7

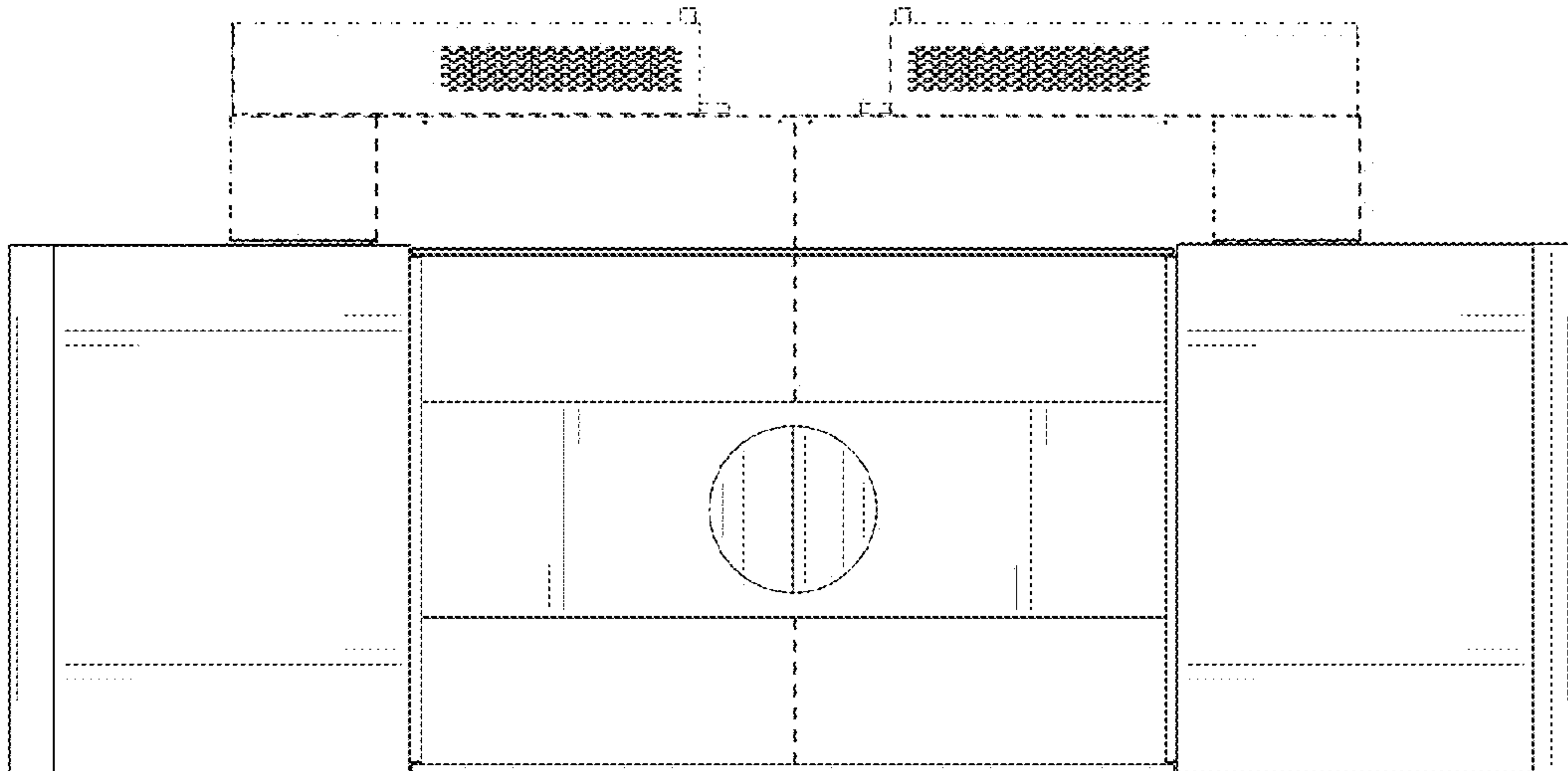


FIG. 8

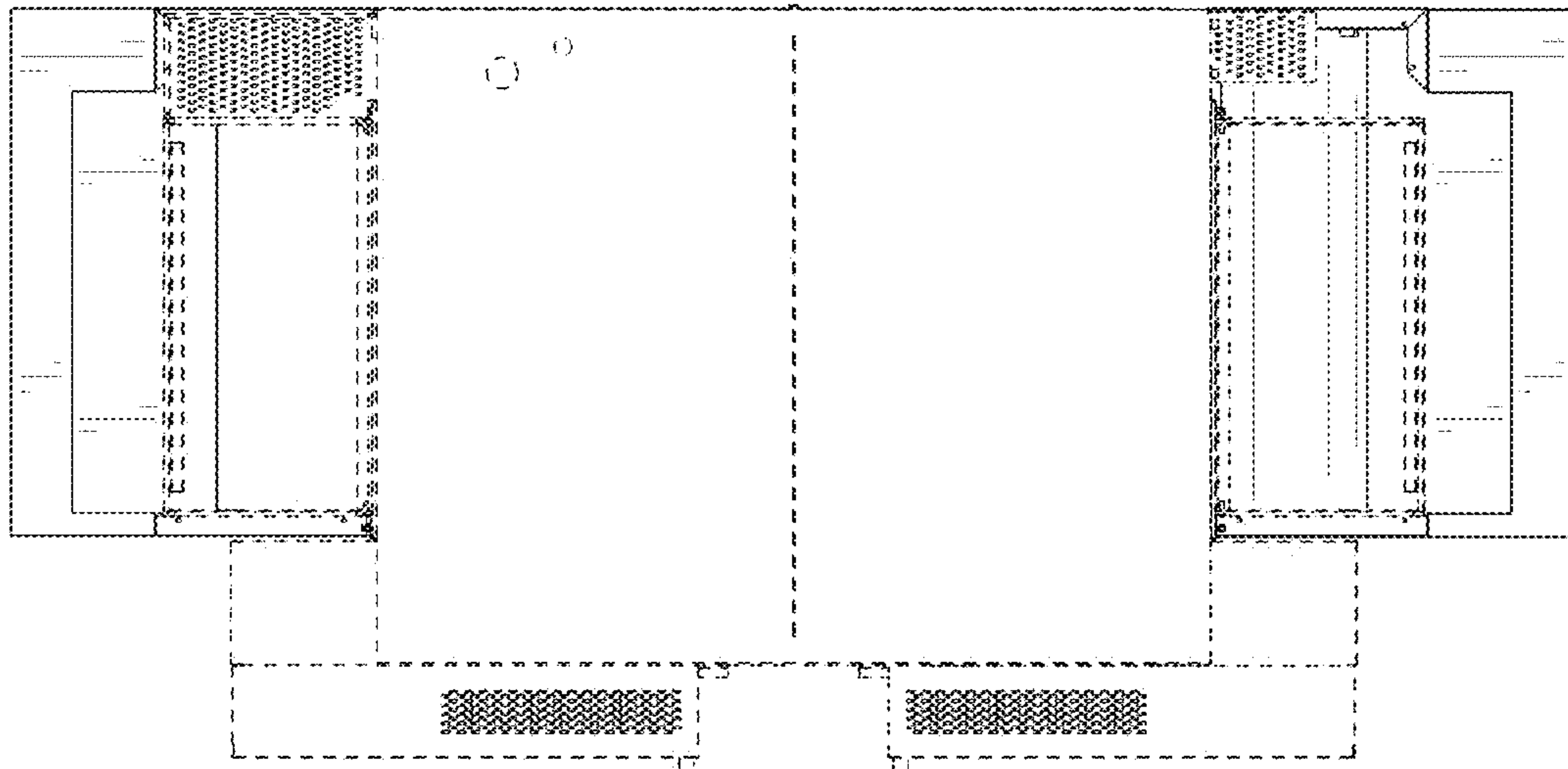


FIG. 9