



US00D747313S

(12) **United States Design Patent**  
**Song**

(10) **Patent No.:** **US D747,313 S**  
(45) **Date of Patent:** **\*\* Jan. 12, 2016**

- (54) **ELECTRONIC DEVICE**
- (71) Applicant: **Samsung Electronics Co., Ltd.**,  
Suwon-si (KR)
- (72) Inventor: **Jun-Yong Song**, Seongnam-si (KR)
- (73) Assignee: **Samsung Electronics Co., Ltd.**,  
Suwon-si (KR)
- (\*\*) Term: **14 Years**
- (21) Appl. No.: **29/521,318**
- (22) Filed: **Mar. 23, 2015**

D448,680 S	10/2001	Kubo	
D459,352 S	6/2002	Giovanniello	
D463,296 S	9/2002	Sanomi	
D474,981 S *	5/2003	Wilson .....	D10/32
D474,982 S *	5/2003	Wilson .....	D10/32
D474,984 S *	5/2003	Wilson .....	D10/37
D523,769 S *	6/2006	Arlanda .....	D11/26
D528,439 S	9/2006	Burton	
D535,205 S	1/2007	Frederick et al.	
D589,375 S *	3/2009	Tang .....	D10/32
D596,610 S	7/2009	Hou	
D626,551 S	11/2010	Julien	
D636,686 S *	4/2011	Cobbett .....	D10/38
D637,918 S	5/2011	Cobbett et al.	

(Continued)

**Related U.S. Application Data**

- (63) Continuation of application No. 29/478,292, filed on  
Jan. 3, 2014, now Pat. No. Des. 732,022.
- (51) **LOC (10) Cl.** ..... **14-02**
- (52) **U.S. Cl.**  
USPC ..... **D14/344**
- (58) **Field of Classification Search**  
USPC ..... D14/341-347, 420, 426, 427;  
D10/30-32, 37-39, 65; 368/281-282,  
368/294-296; 455/100; 361/679.03;  
379/433.1; D11/3, 94  
CPC ..... H04B 1/03; H04B 1/385; G04G 17/083  
See application file for complete search history.

(56) **References Cited**

**U.S. PATENT DOCUMENTS**

4,209,973 A *	7/1980	Maezawa .....	G04G 9/0076 368/232
D299,028 S	12/1988	Hermann	
D343,745 S *	2/1994	Wenger .....	D9/420
D355,132 S	2/1995	Williams	
D366,036 S *	1/1996	Houlihan .....	D10/30
D383,985 S	9/1997	Davenport	
D446,130 S	8/2001	Nakanishi	

**FOREIGN PATENT DOCUMENTS**

EM	000012570-0019	8/2003
EM	001813494-0004	2/2011

(Continued)

*Primary Examiner* — Barbara Fox  
(74) *Attorney, Agent, or Firm* — NSIP Law

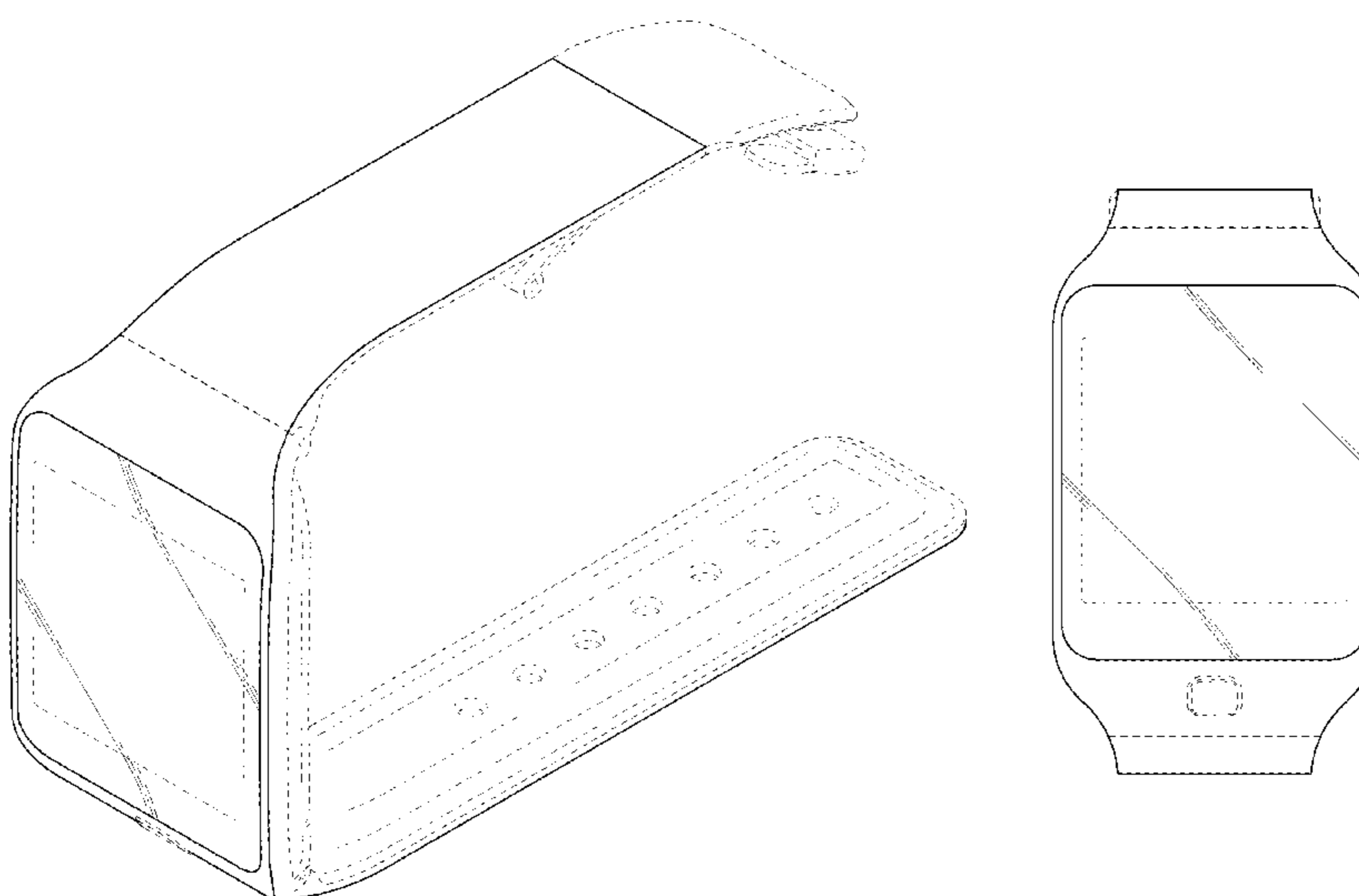
(57) **CLAIM**

I claim the ornamental design for an electronic device, as shown and described.

**DESCRIPTION**

FIG. 1 is a front perspective view of an electronic device showing my new design;  
 FIG. 2 is a front view thereof;  
 FIG. 3 is a rear view thereof;  
 FIG. 4 is a left-side view thereof;  
 FIG. 5 is a right-side view thereof;  
 FIG. 6 is a top view thereof; and,  
 FIG. 7 is a bottom view thereof.  
 The broken lines shown in the drawings represent portions of the electronic device that form no part of the claimed design.

**1 Claim, 4 Drawing Sheets**



(56)

**References Cited**

U.S. PATENT DOCUMENTS

D645,360 S \* 9/2011 Kiser ..... D10/32  
 D650,706 S 12/2011 Zanella et al.  
 D655,497 S 3/2012 Stanley  
 D672,255 S 12/2012 Zanella et al.  
 D701,504 S \* 3/2014 Christopher ..... D14/344  
 D711,002 S \* 8/2014 Ohnemus ..... D24/186  
 D715,668 S \* 10/2014 Roush ..... D10/70  
 D719,123 S \* 12/2014 Park ..... D10/38  
 D720,074 S \* 12/2014 Suvilaakso ..... D24/167  
 D727,759 S \* 4/2015 Martinez ..... D10/70  
 D728,562 S \* 5/2015 Park ..... D10/32  
 D729,651 S \* 5/2015 Nuovo ..... D10/32  
 D729,652 S \* 5/2015 Nuovo ..... D10/32  
 D730,347 S \* 5/2015 Jung ..... D14/344

D731,482 S \* 6/2015 Song ..... D14/344  
 D732,022 S \* 6/2015 Song ..... D14/344  
 D733,706 S \* 7/2015 Song ..... D10/32  
 2005/0276164 A1\* 12/2005 Amron ..... G04C 3/002  
 368/82  
 2010/0238033 A1\* 9/2010 Blumel ..... A61B 5/1112  
 340/573.4  
 2014/0169142 A1\* 6/2014 Heck ..... G04G 17/04  
 368/205

FOREIGN PATENT DOCUMENTS

JP 10-36171 1/2000  
 JP 11-17248 9/2001  
 KR 30-2010-0011107 12/2011

\* cited by examiner

FIG.1

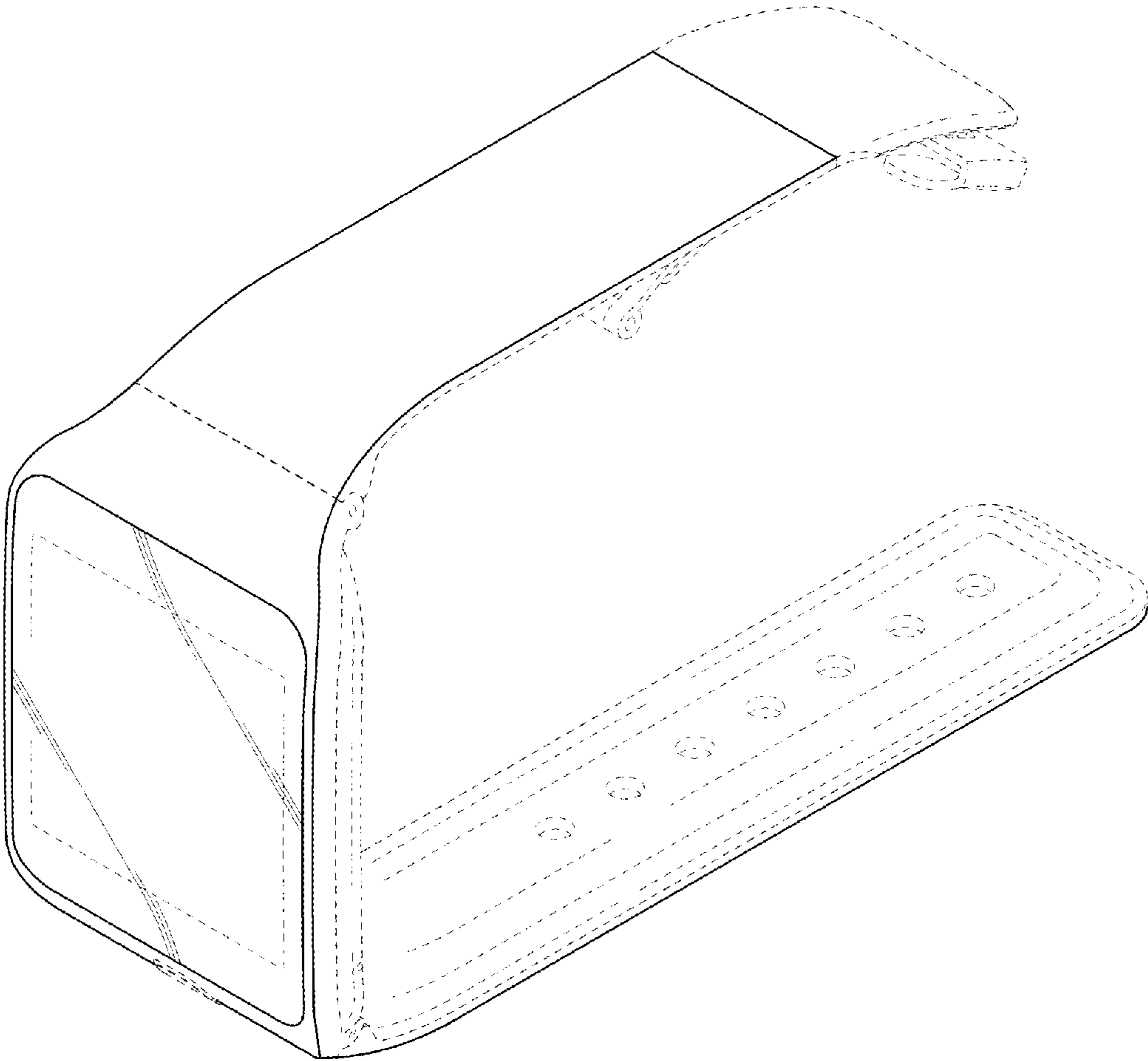


FIG.2

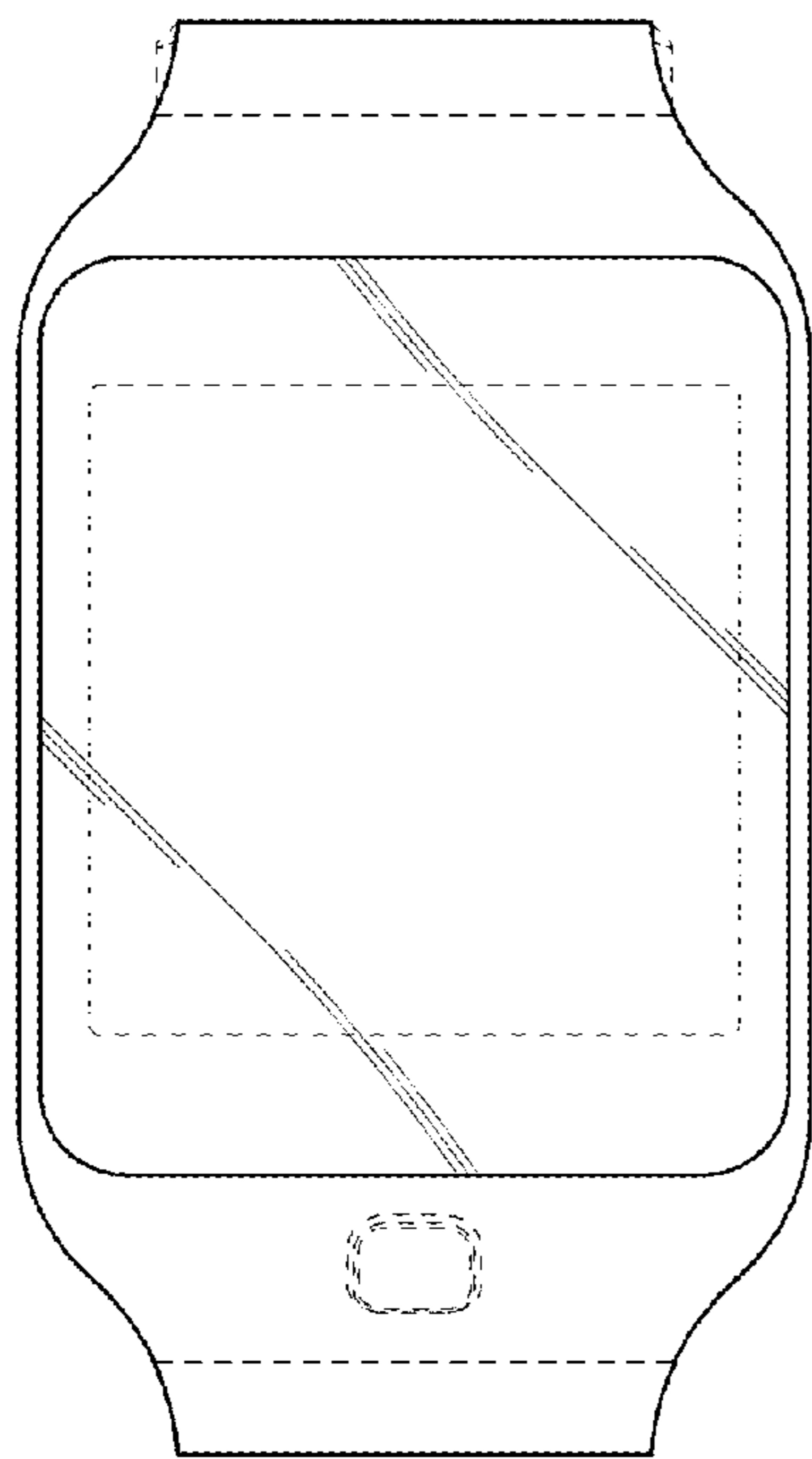


FIG.3

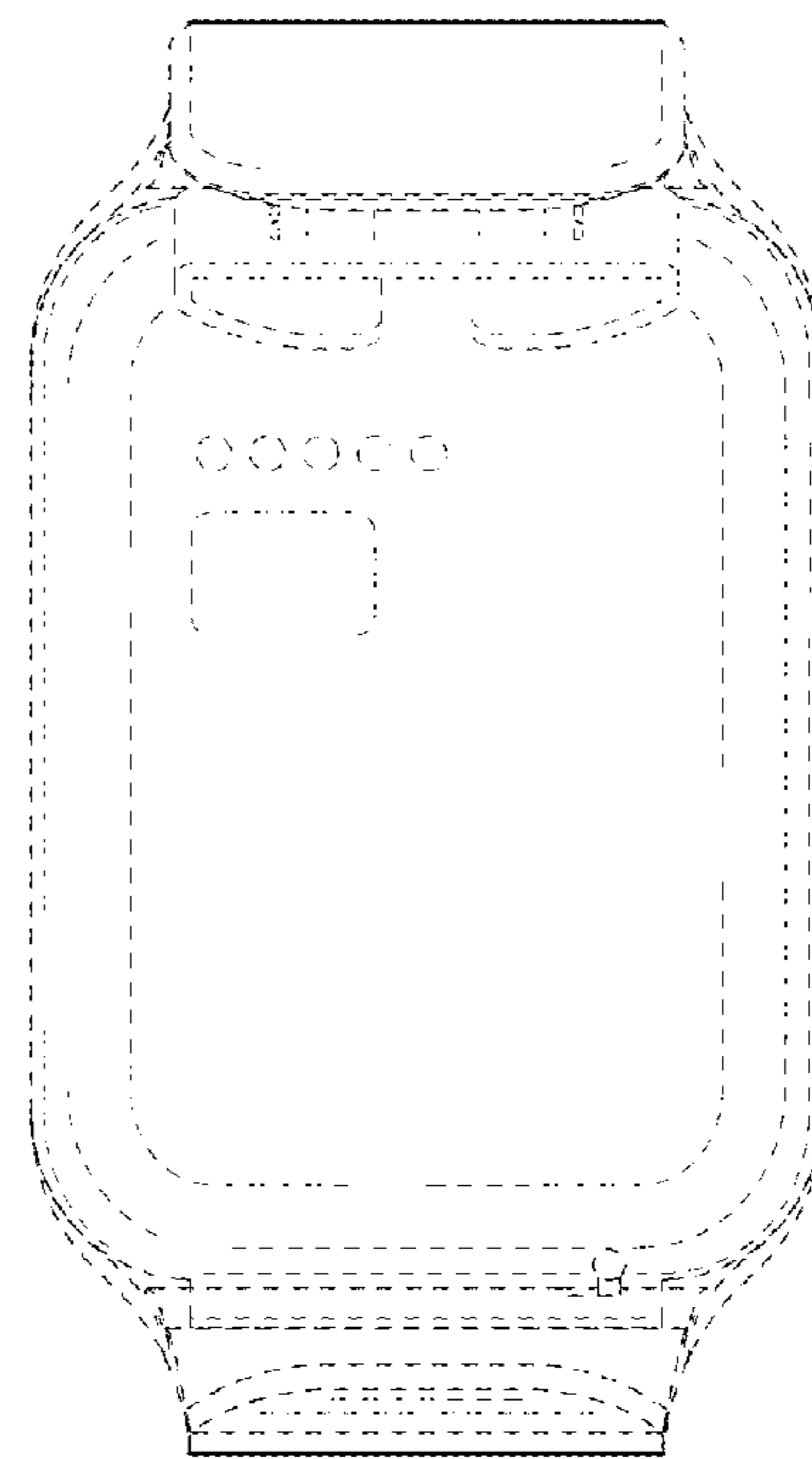


FIG.4

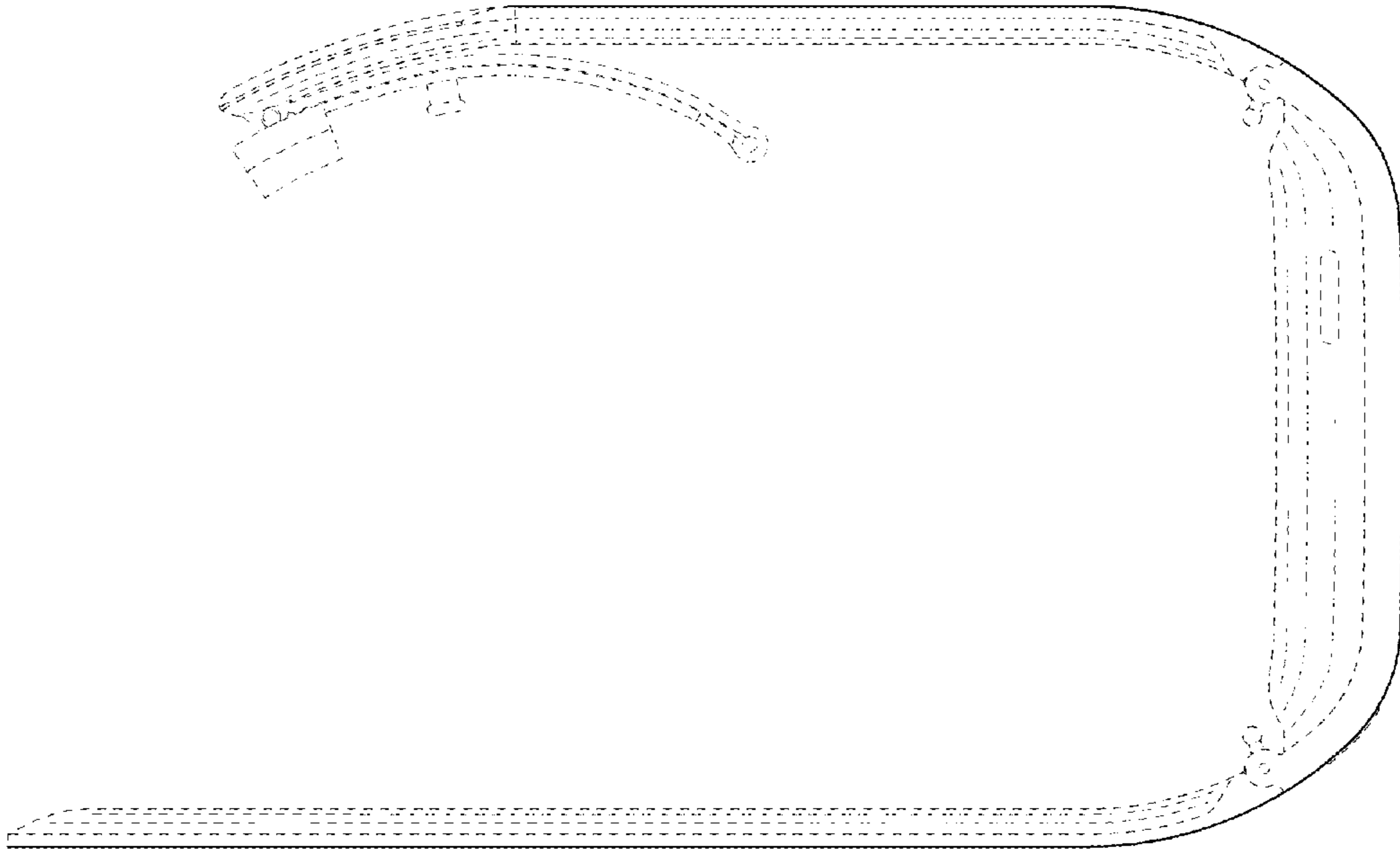


FIG.5

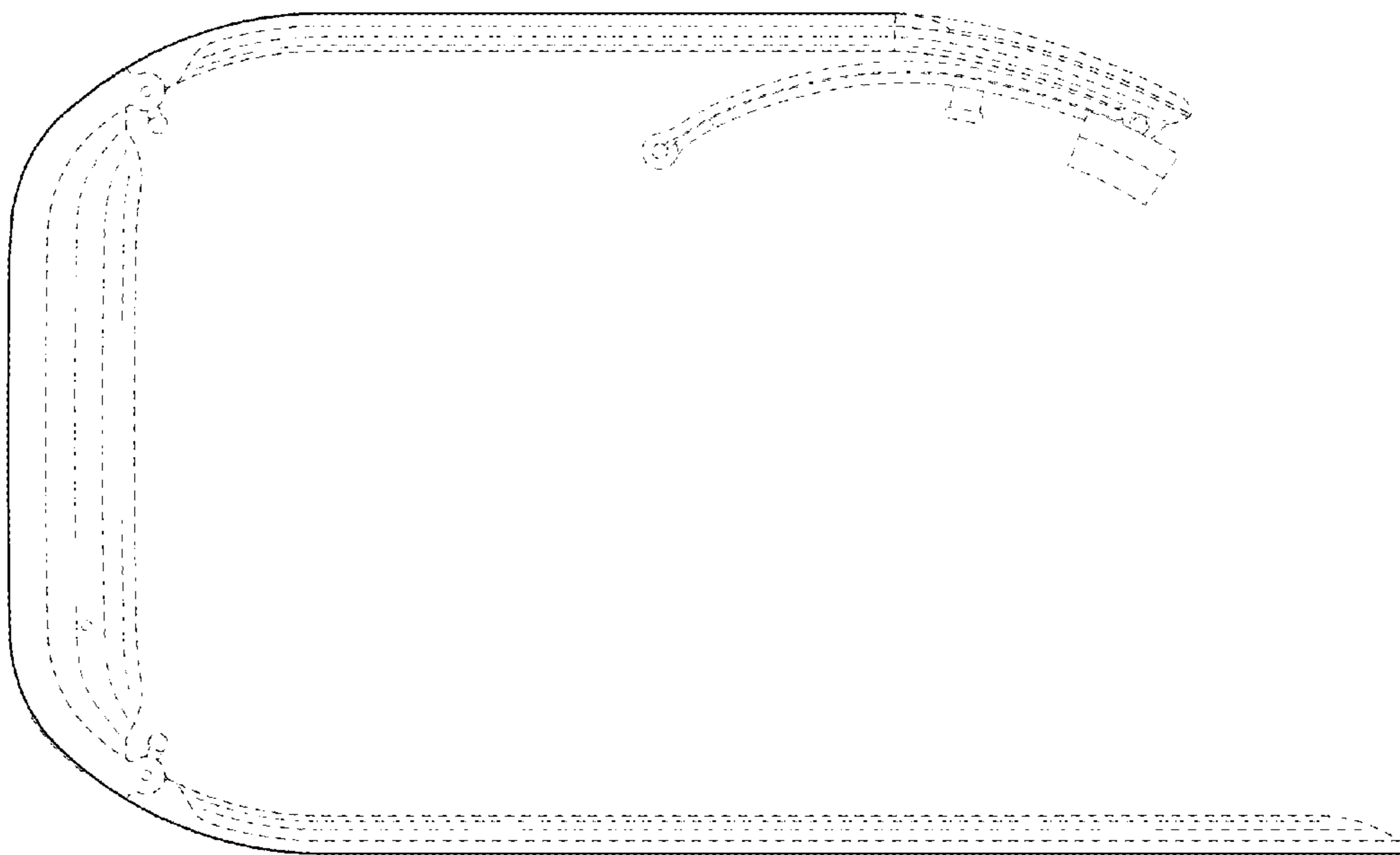


FIG.6

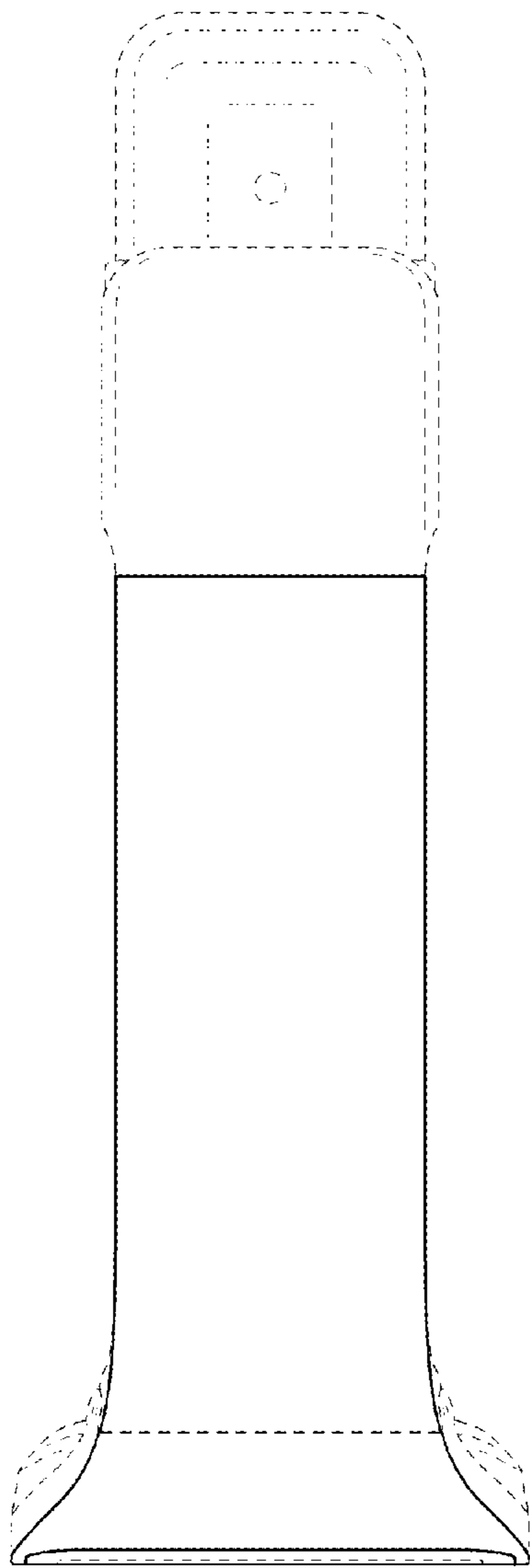


FIG.7

