



US00D747309S

(12) **United States Design Patent**
Smith et al.

(10) **Patent No.:** **US D747,309 S**
(45) **Date of Patent:** **** Jan. 12, 2016**

(54) **MOBILE TABLET**

(71) Applicant: **Dell Products L.P.**, Round Rock, TX
(US)

(72) Inventors: **Michael Ellis Smith**, Austin, TX (US);
Heekwon Chon, Austin, TX (US);
Frank M. Tyneski, Austin, TX (US);
Weijong Sheu, Austin, TX (US)

(73) Assignee: **Dell Products L.P.**, Round Rock, TX
(US)

(**) Term: **14 Years**

(21) Appl. No.: **29/464,838**

(22) Filed: **Aug. 21, 2013**

(51) **LOC (10) Cl.** **14-02**

(52) **U.S. Cl.**
USPC **D14/341**

(58) **Field of Classification Search**
USPC D14/341-347, 137, 138 R, 138 AA,
D14/138 AB, 138 C, 138 G, 496, 203.1,
D14/203.3, 203.4, 203.7, 129, 130, 147,
D14/248, 250, 374, 385, 388, 389, 315-318,
D14/439, 126, 336, 339, 340; D10/104.1;
D21/329; 455/556.1, 556.2, 566,
455/575.1, 90.3; 379/433.04, 433.01,
379/433.06; 345/173, 901, 905;
361/679.26, 679.27, 679.3, 679.55,
361/679.56, 680-686; D6/308, 310;
348/373, 376; 248/917-924
CPC A63H 33/3016; G06F 1/1613; H04M
1/0202; H04M 1/0279; H04M 1/0281; H04M
1/0283

See application file for complete search history.

(56) **References Cited**

U.S. PATENT DOCUMENTS

D494,182 S 8/2004 Singer et al.
D557,259 S 12/2007 Hirsch
D558,774 S 1/2008 Najima
D601,353 S * 10/2009 Sadler et al. D6/308
D617,793 S * 6/2010 Chiang et al. D14/341

(Continued)

OTHER PUBLICATIONS

Dell XPS 18 hands-on: 18-inch tablet? Portable all-in-one PC? Delu-
sional?, announced Mar. 13, 2013 [online], [site visited Mar. 2, 2015].
Available from Internet, URL: <http://www.slashgear.com/dell-xps-
18-hands-on-18-inch-tablet-portable-all-in-one-pc-delusional-
13273643/>.*

(Continued)

Primary Examiner — Barbara Fox

Assistant Examiner — Dana K Weiland

(74) *Attorney, Agent, or Firm* — Terrille, Cannatti,
Chambers & Holland, LLP; Robert W. Holland

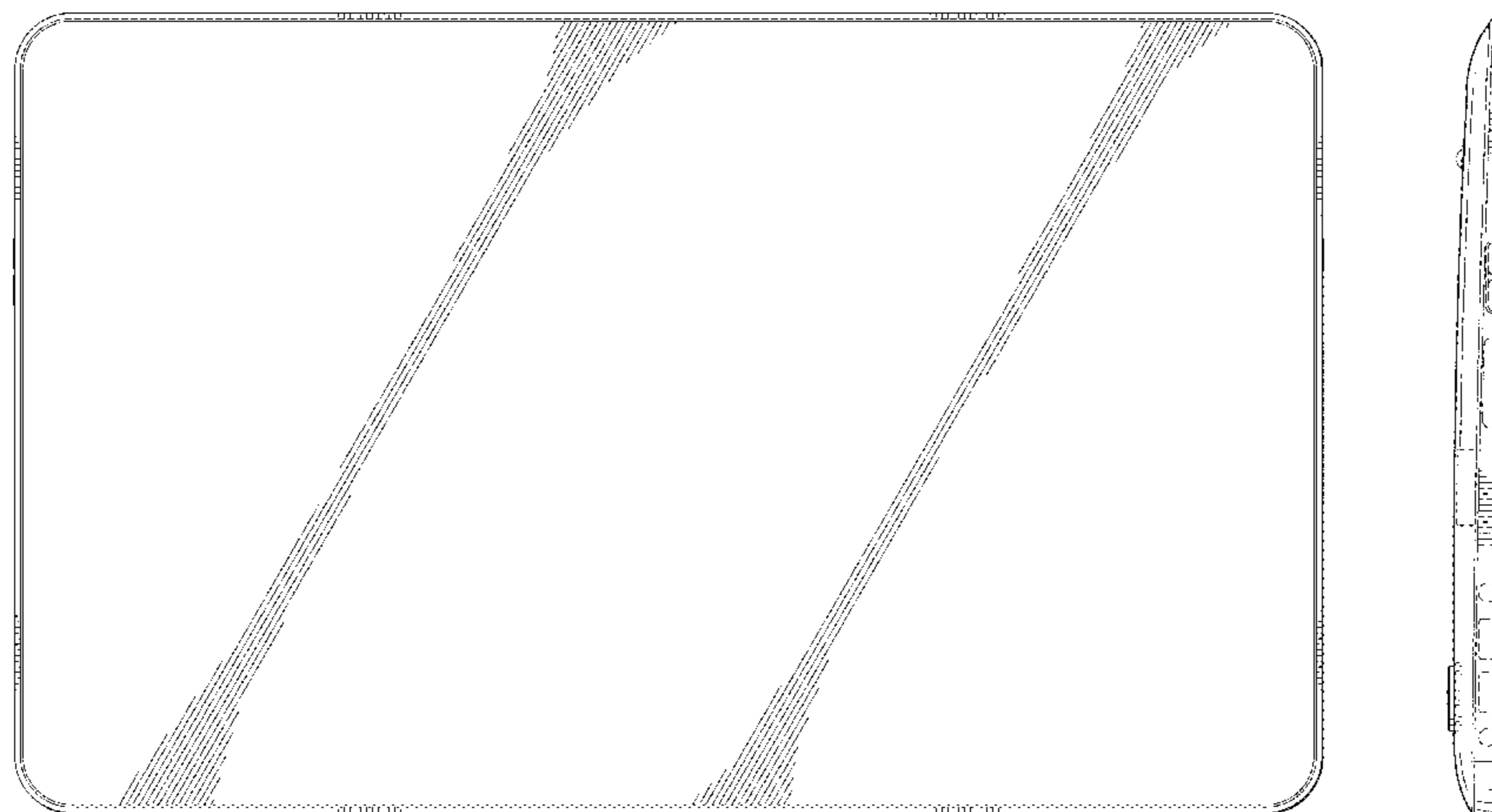
(57) **CLAIM**

We claim the ornamental design for the mobile tablet, as
shown and described.

DESCRIPTION

FIG. 1 is a front perspective view of the mobile tablet com-
prising the present invention;
FIG. 2 is a front view thereof;
FIG. 3 is a rear view thereof;
FIG. 4 is a right side view thereof;
FIG. 5 is a left side view thereof;
FIG. 6 is a top view thereof;
FIG. 7 is a bottom view thereof;
FIG. 8 is a rear perspective view thereof;
FIG. 9 is a rear perspective view in a stand thereof;
FIG. 10 is a front perspective view in a stand thereof; and,
FIG. 11 is a rear perspective view in a stand thereof.
Broken lines shown in the drawings illustrate portions of the
mobile tablet, and form no part of the claimed design.

1 Claim, 9 Drawing Sheets



(56)

References Cited

U.S. PATENT DOCUMENTS

D624,919	S	10/2010	Bull	
D629,216	S *	12/2010	Stoddard	D6/308
D638,019	S	5/2011	Weisshaupt	
D640,249	S	6/2011	Choi	
D648,727	S	11/2011	Van Den Nieuwenhuizen et al.	
D649,153	S	11/2011	Symons	
D664,530	S *	7/2012	Hsu et al.	D14/315
D683,141	S	5/2013	Symons	
D684,553	S *	6/2013	Kim et al.	D14/138 G
D685,322	S	7/2013	Szymanski et al.	
D685,784	S *	7/2013	Ma	D14/341
D691,996	S *	10/2013	Ohshima	D14/341
D709,490	S *	7/2014	Lee et al.	D14/315
D716,799	S *	11/2014	Green et al.	D14/341
D719,149	S *	12/2014	Matsuoka	D14/318
D721,700	S *	1/2015	Satzger et al.	D14/341
D722,050	S *	2/2015	Moradian	D14/341
2003/0001064	A1	1/2003	Book	
2009/0179132	A1	7/2009	Qin et al.	

OTHER PUBLICATIONS

Dell XPS 18 Portable All-In-One Desktop Review, announced Jun. 6, 2013 [online], [site visited Mar. 2, 2015]. Available from Internet, URL: < <http://hothardware.com/reviews/Dell-XPS-18-Portable-AllInOne-Desktop-Review>>.*

Dell XPS 18 Portable All-in-One Desktop Review, announced Jun. 29, 2013 [online], [site visited Mar. 2, 2015]. Available from Internet,

URL:<<http://www.hardwareheaven.com/content/reviews/desktops/29599/dell-xps-18-portable-all-in-one-desktop-review/2>>.*

Dell XPS 18 Review, announced Apr. 26, 2013 [online], [site visited Mar. 2, 2015]. Available from Internet, URL: <<http://www.laptopmag.com/reviews/laptops/dell-xps-18>>.*

Dell XPS 18 review: A massive tablet that doubles as an AIO desktop, announced Apr. 29, 2013 [online], [site visited Mar. 2, 2015]. Available from Internet, URL: <<http://www.cnet.com/products/dell-xps-18-all-in-one-desktop-tablet-computer-dxcw417/>>.*

Dell XPS 18, announced Apr. 30, 2013 [online], [site visited Mar. 2, 2015]. Available from Internet, URL: <<http://www.pcmag.com/article2/0,2817,2418339,00.asp>>.*

Dell XPS 18 Review, announced Jun. 5, 2013 [online], [site visited Mar. 2, 2015]. Available from Internet, URL: <<http://www.digitaltrends.com/desktop-computer-reviews/dell-xps-18-review/#/5>>.*

Dell XPS 18 Review, announced May 17, 2013 [online], [site visited Mar. 2, 2015]. Available from Internet, URL: <<http://www.ubergizmo.com/2013/05/dell-xps-18-review/>>.*

Dell XPS 18 review: Huge tablet or ultra-thin desktop computer?, announced May 20, 2013 [online], [site visited Mar. 2, 2015]. Available from Internet, URL: <<http://thenextweb.com/gadgets/2013/05/20/dell-xps-18-review-a-huge-tablet-or-the-thinnest-desktop-machine-youve-ever-seen/>>.*

Dell XPS 18, announced Jul. 14, 2013 [online], [site visited Mar. 2, 2015]. Available from Internet, URL: <<http://www.mobiletechreview.com/notebooks/Dell-XPS-18.htm>>.*

* cited by examiner

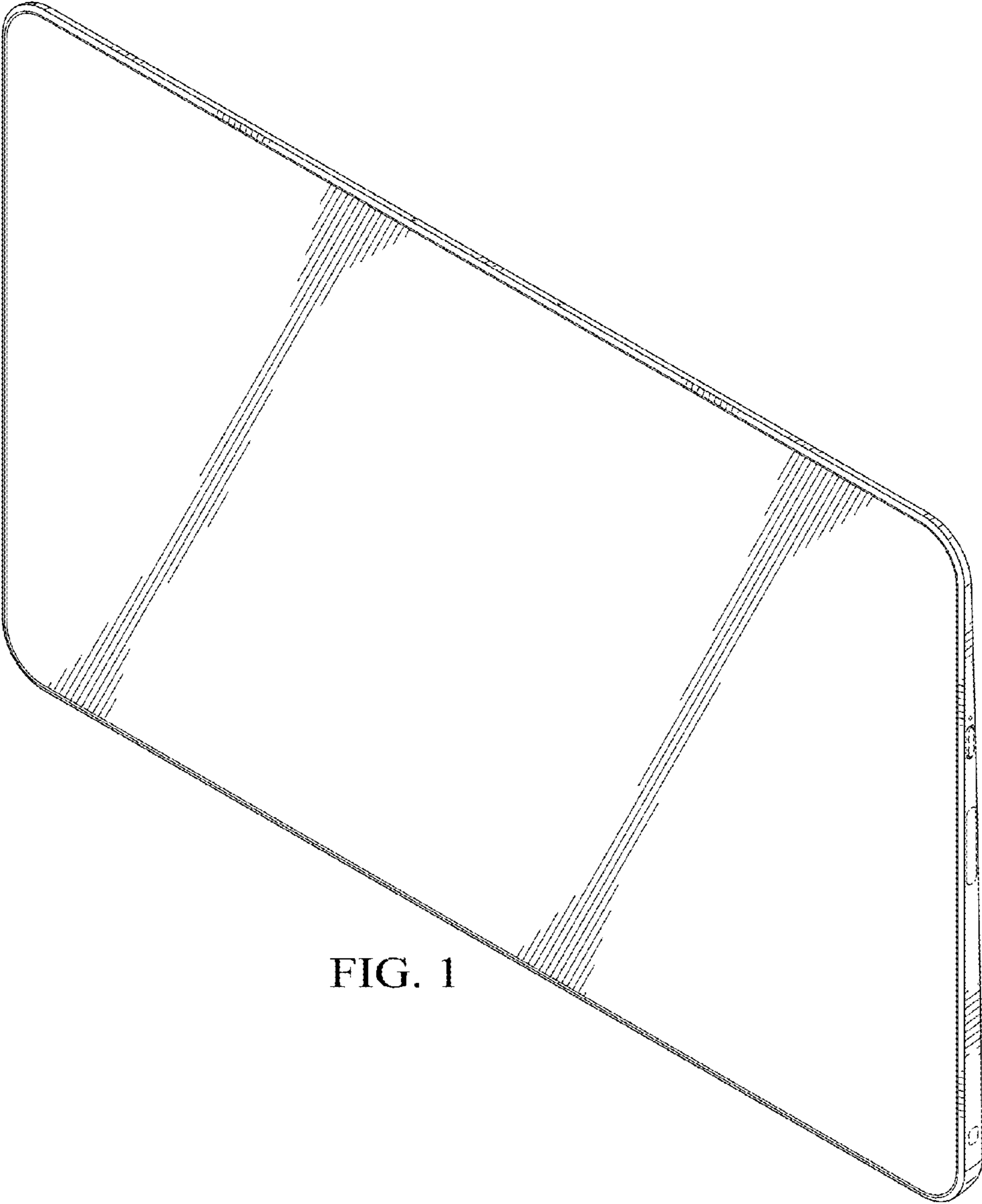


FIG. 1

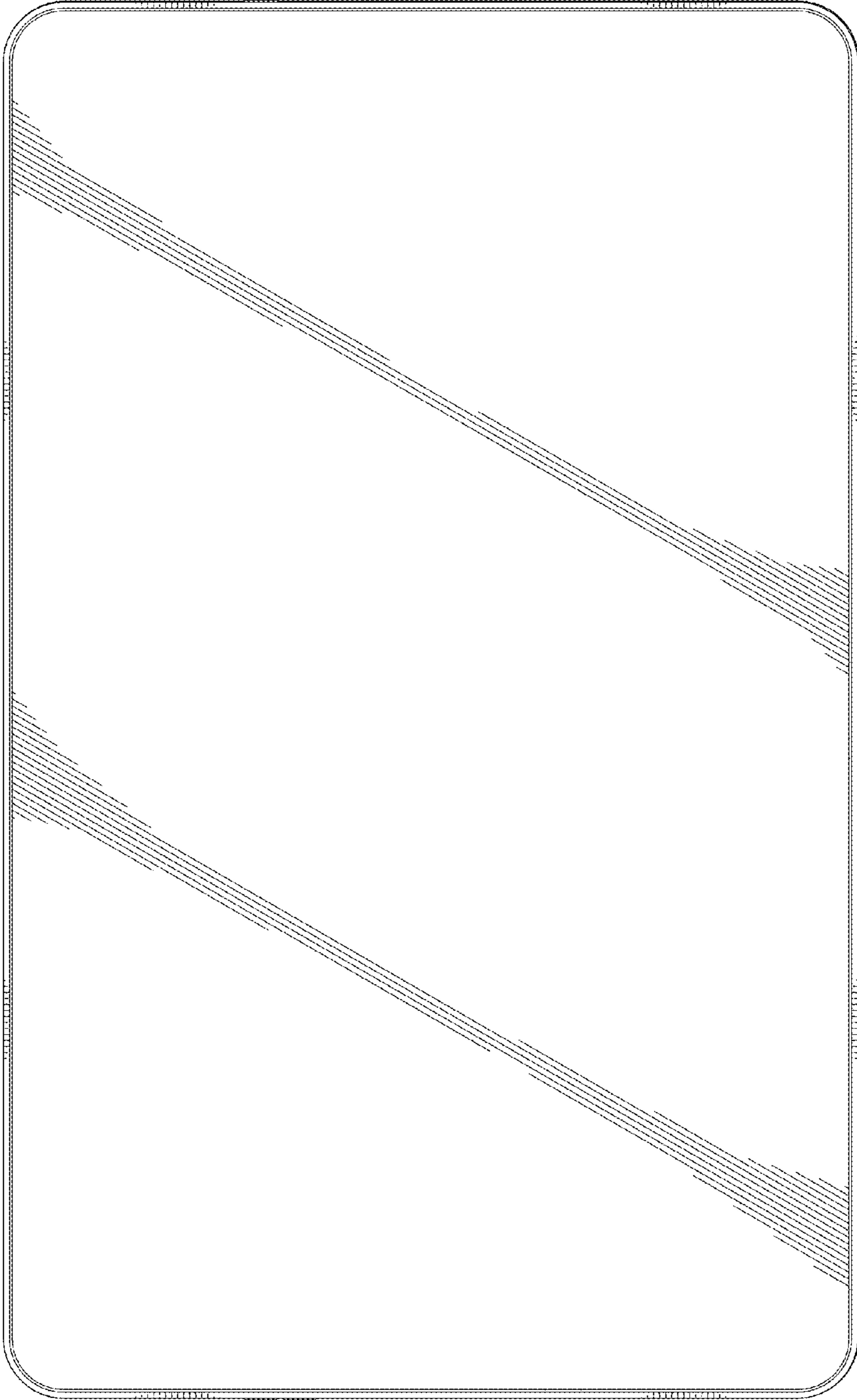


FIG. 2

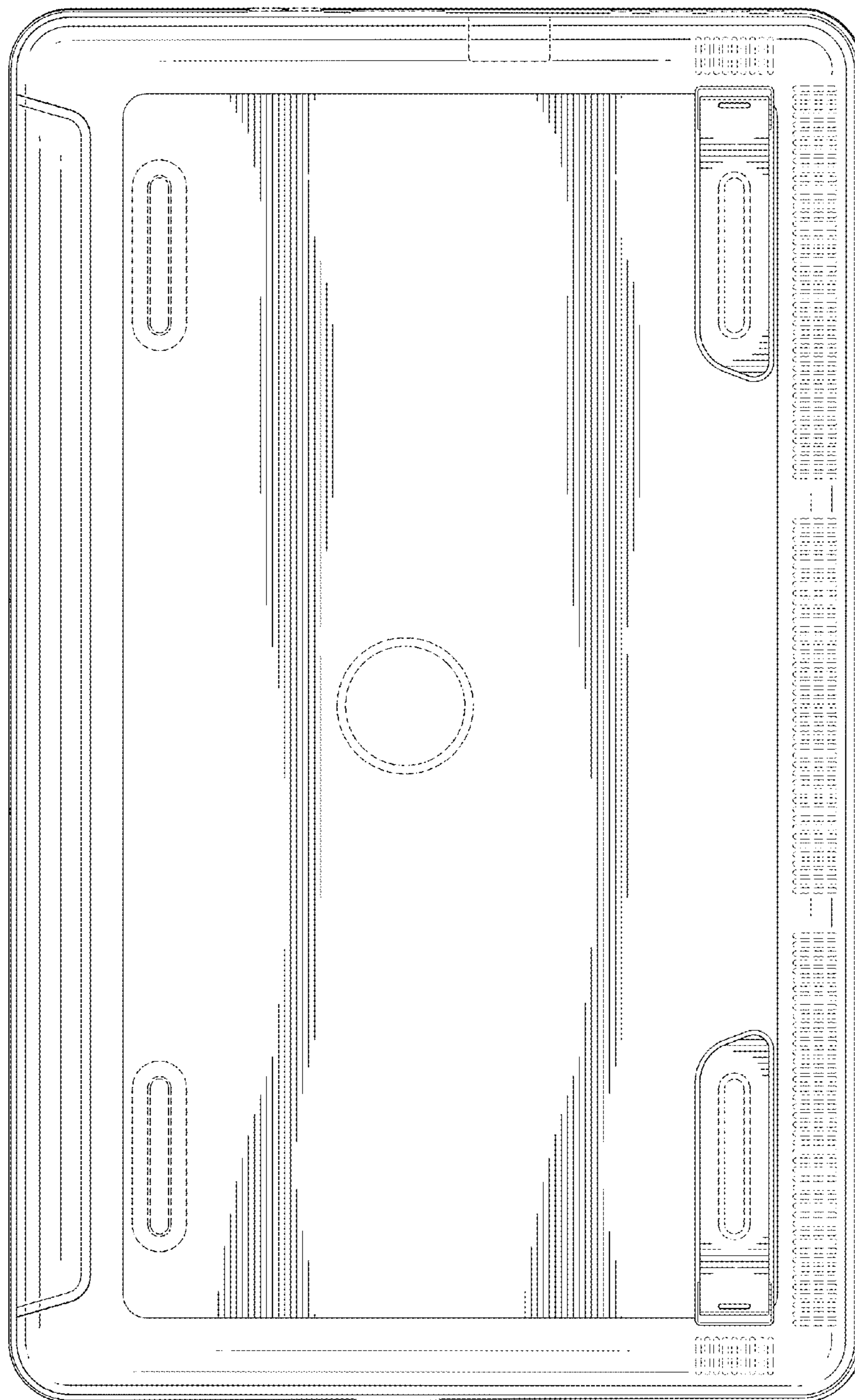


FIG. 3

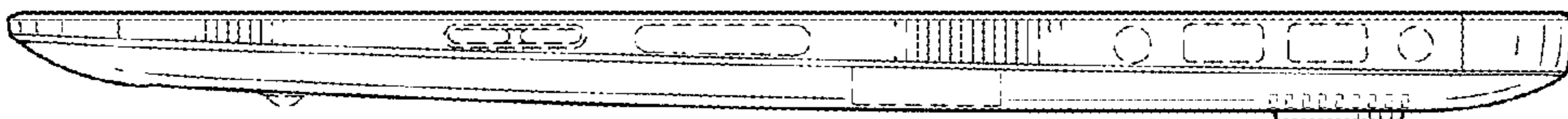


FIG. 5

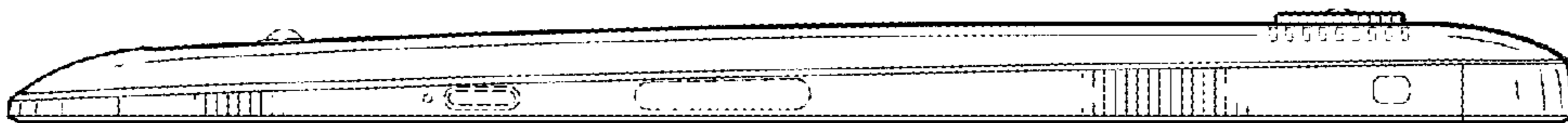


FIG. 4

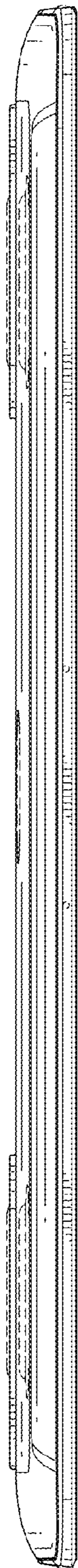


FIG. 6

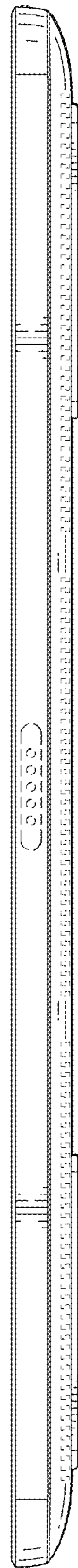


FIG. 7

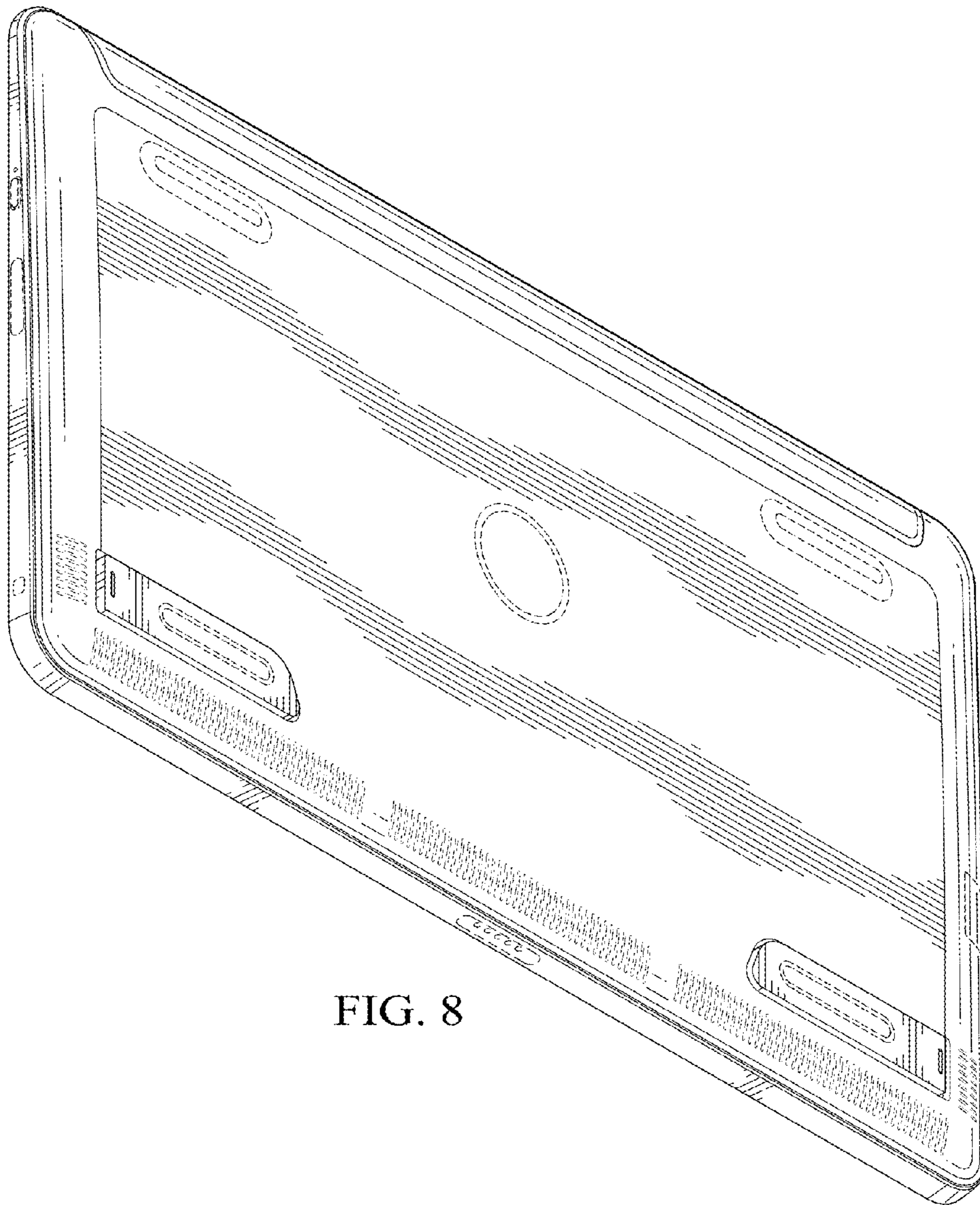


FIG. 8

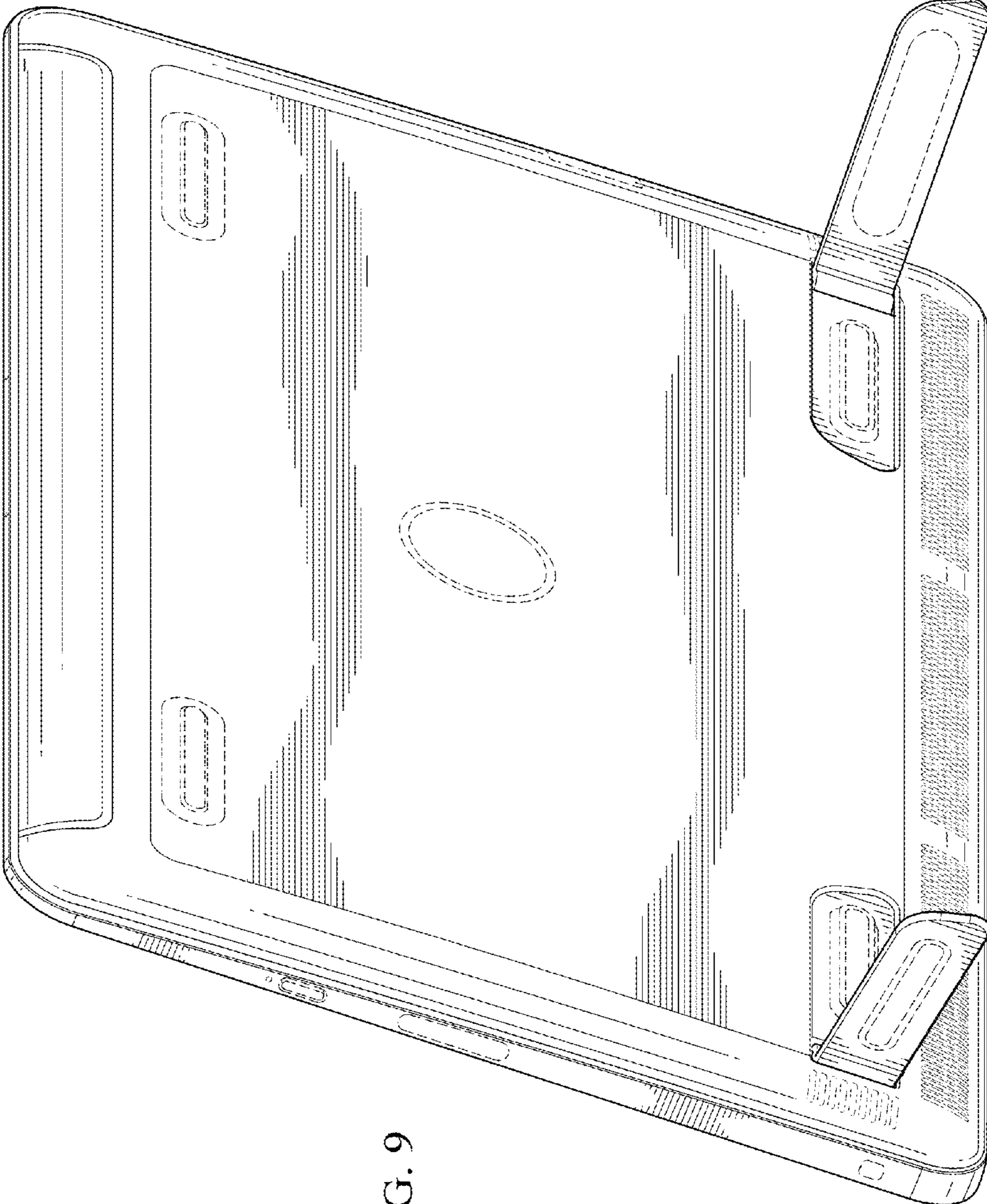


FIG. 9

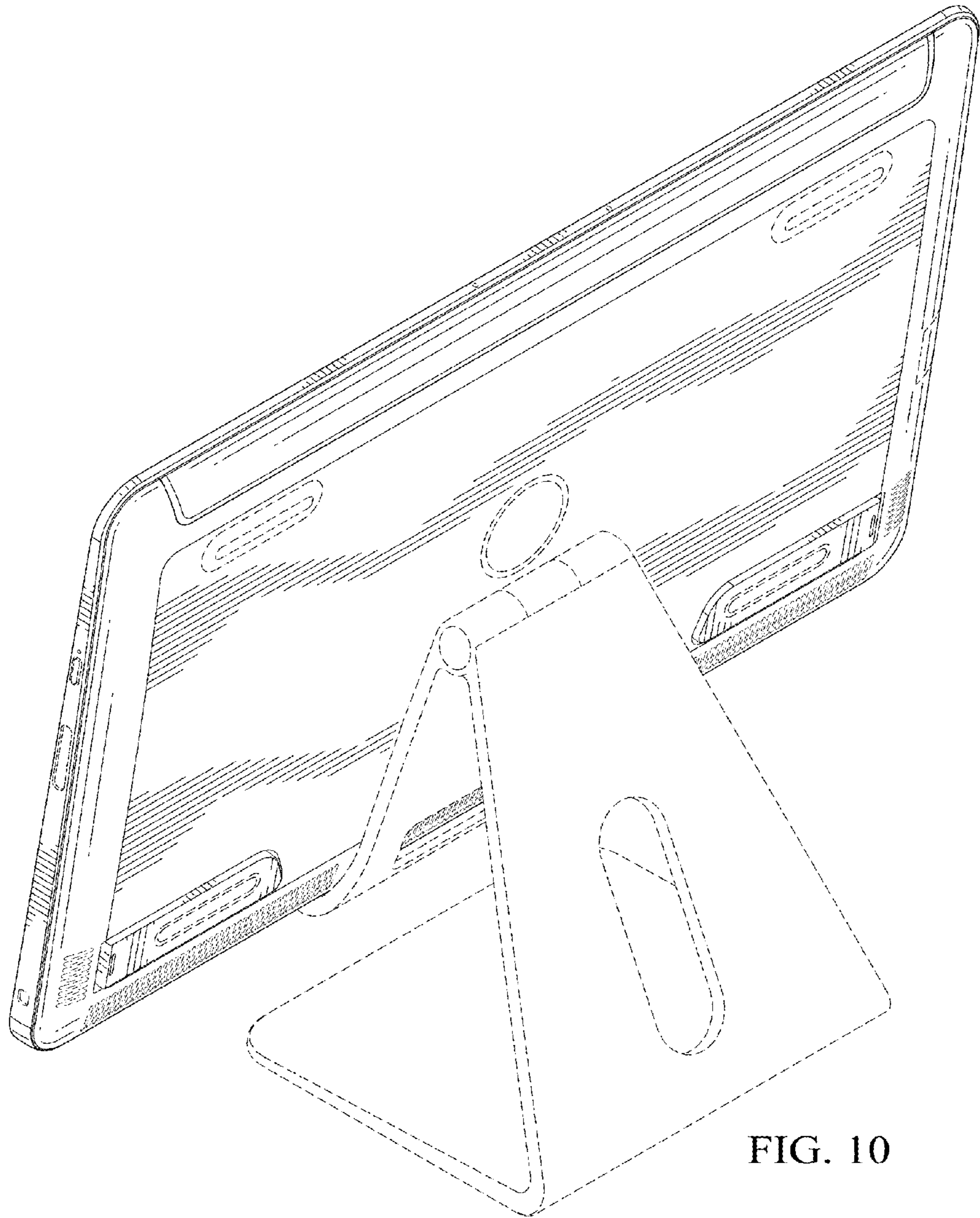


FIG. 10

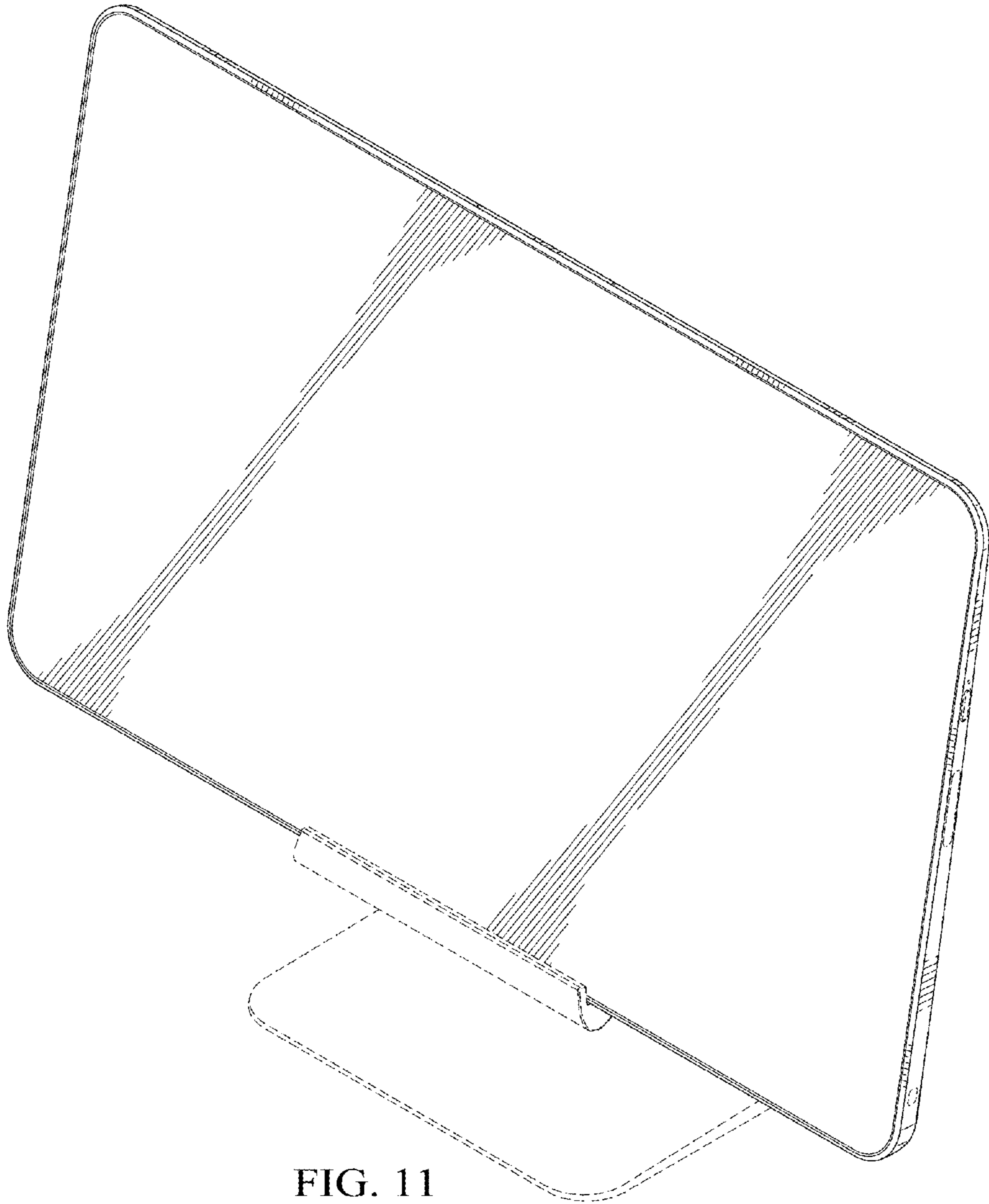


FIG. 11