



US00D747308S

(12) **United States Design Patent**
Myung et al.

(10) **Patent No.:** **US D747,308 S**
(45) **Date of Patent:** **** Jan. 12, 2016**

(54) **TABLET COMPUTER**

(71) Applicant: **Samsung Electronics Co., Ltd.**,
Suwon-si (KR)

(72) Inventors: **Ji-Eun Myung**, Seoul (KR); **Won-Suk Chung**, Seoul (KR)

(73) Assignee: **Samsung Electronics Co., Ltd.**,
Suwon-si (KR)

(**) Term: **14 Years**

(21) Appl. No.: **29/453,625**

(22) Filed: **May 1, 2013**

(30) **Foreign Application Priority Data**

Nov. 2, 2012 (KR) 30-2012-0052387

(51) **LOC (10) Cl.** **14-02**

(52) **U.S. Cl.**
USPC **D14/341**

(58) **Field of Classification Search**

USPC D14/341-347, 137, 138 R, 138 AA,
D14/138 AB, 138 C, 138 G, 496, 203.1,
D14/203.3, 203.4, 203.7, 129, 130, 147,
D14/248, 250, 374, 385, 388, 389, 315-318,
D14/439, 126, 336, 339, 340; D10/104.1;
D21/329; 455/556.1, 556.2, 566,
455/575.1, 90.3; 379/433.04, 433.01,
379/433.06; 345/173, 901, 905;
361/679.26, 679.27, 679.3, 679.55,
361/679.56, 680-686; D6/308, 310;
348/373, 376; 248/917-924
CPC A63H 33/3016; G06F 1/1613; H04M
1/0202; H04M 1/0279; H04M 1/0281; H04M
1/0283

See application file for complete search history.

(56) **References Cited**

U.S. PATENT DOCUMENTS

D255,745 S * 7/1980 Pedersen D6/311
D491,943 S * 6/2004 Whitehorn et al. D14/375

D502,179 S * 2/2005 Cha et al. D14/375
D639,267 S * 6/2011 DeLorenzo et al. D14/142
D684,981 S * 6/2013 Chang et al. D14/451
D688,661 S * 8/2013 Ho et al. D14/341
D689,048 S * 9/2013 Wang et al. D14/341
D694,211 S * 11/2013 Yuu et al. D14/138 G
D697,065 S * 1/2014 Kim et al. D14/346
D698,356 S * 1/2014 Park D14/345
D703,668 S * 4/2014 Kim et al. D14/346
D709,490 S * 7/2014 Lee et al. D14/315

(Continued)

Primary Examiner — Barbara Fox

Assistant Examiner — Dana K Weiland

(74) *Attorney, Agent, or Firm* — NSIP Law

(57) **CLAIM**

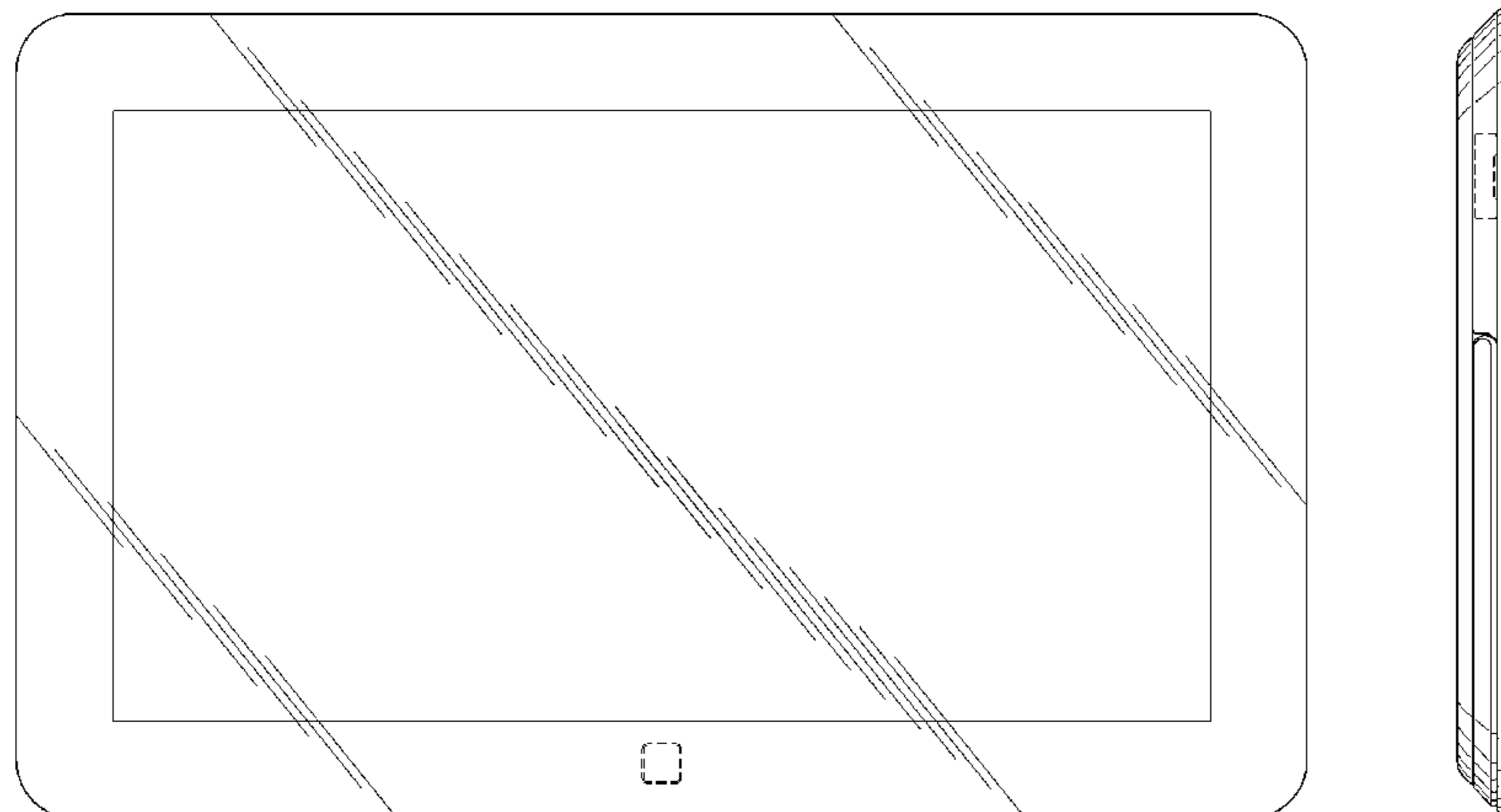
The ornamental design for a tablet computer, as shown and described.

DESCRIPTION

FIG. 1 is a perspective view of a tablet computer showing our new design;
FIG. 2 is a front view thereof;
FIG. 3 is a rear view thereof;
FIG. 4 is a left-side view thereof;
FIG. 5 is a right-side view thereof;
FIG. 6 is a top plan view thereof;
FIG. 7 is a bottom plan view thereof;
FIG. 8 is a rear perspective view thereof, in which a stand part that rotates on a hinge is in a closed position;
FIG. 9 is a rear perspective view thereof, in which a stand part that rotates on a hinge is in an open position; and,
FIG. 10 is a rear perspective view thereof, in which a keyboard part that separates from the remaining tablet computer is in a detached state.

The broken lines represent portions of the tablet computer that form no part of the claimed design. The shade lines in the figures show contour and not surface ornamentation.

1 Claim, 8 Drawing Sheets



US D747,308 S

Page 2

(56)

References Cited

D712,899 S * 9/2014 Park et al. D14/341
2011/0050590 A1* 3/2011 Viglione 345/173

U.S. PATENT DOCUMENTS

D712,400 S * 9/2014 Kim et al. D14/341 * cited by examiner

FIG. 1

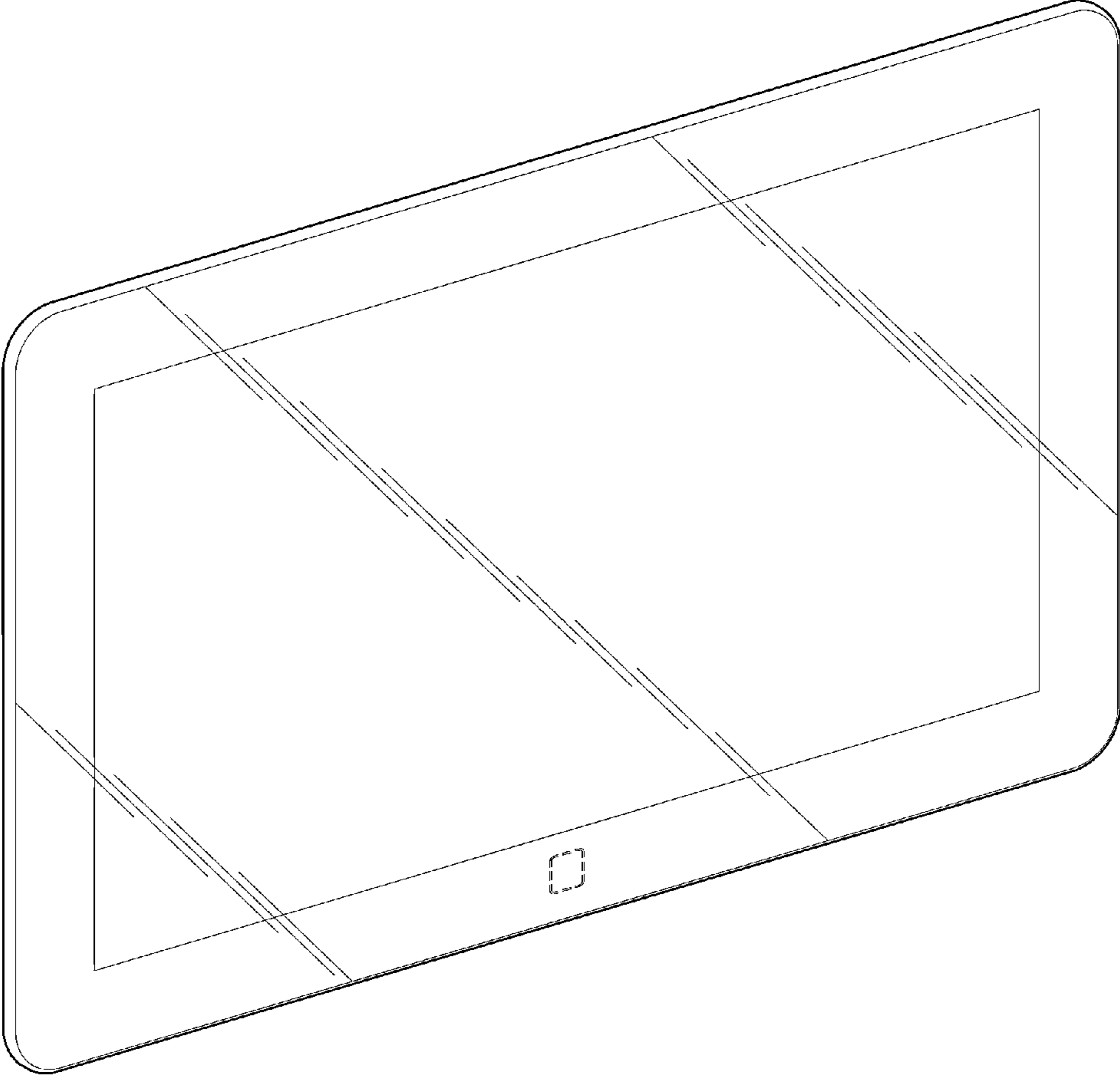


FIG. 2

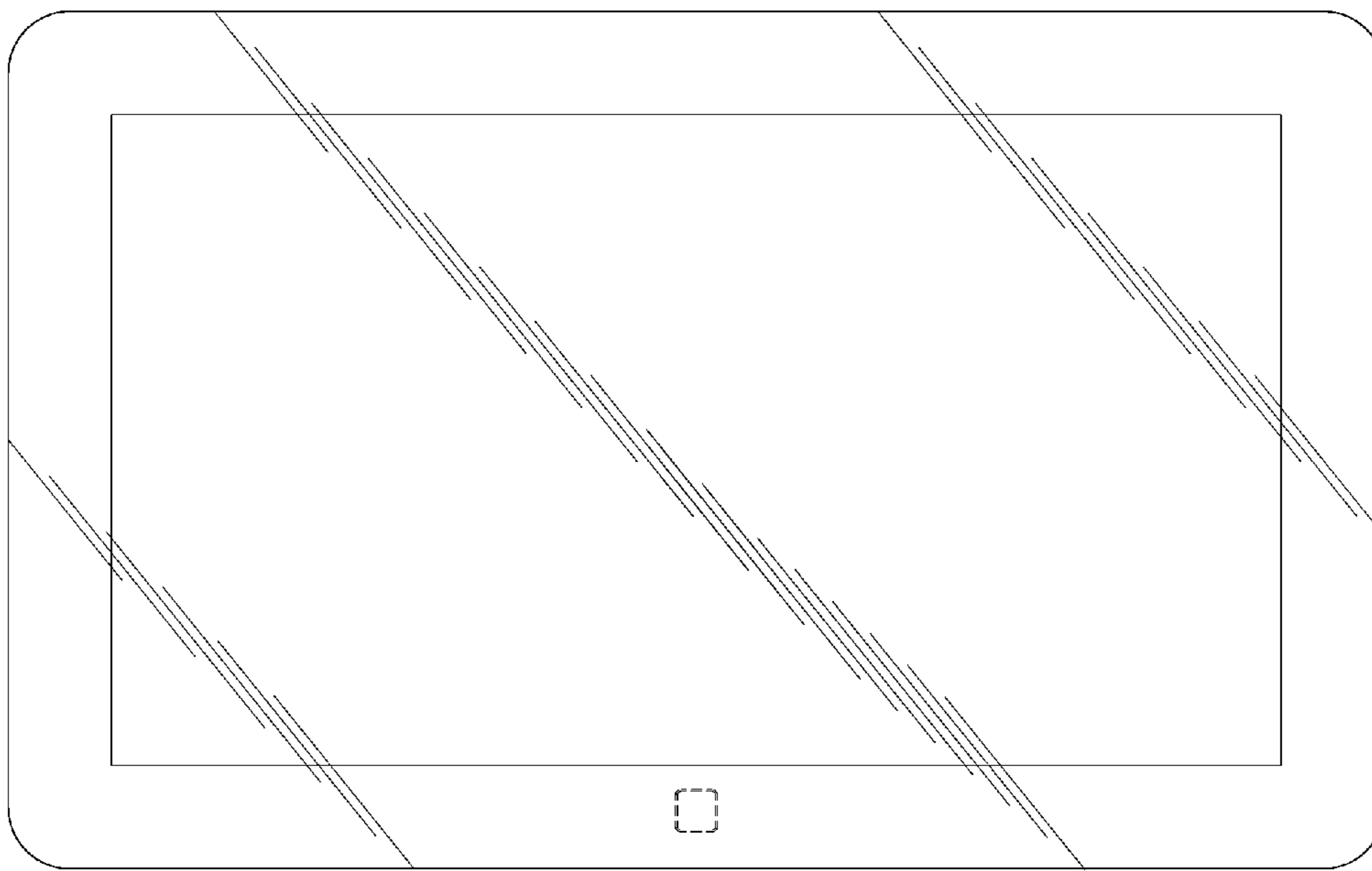


FIG. 3

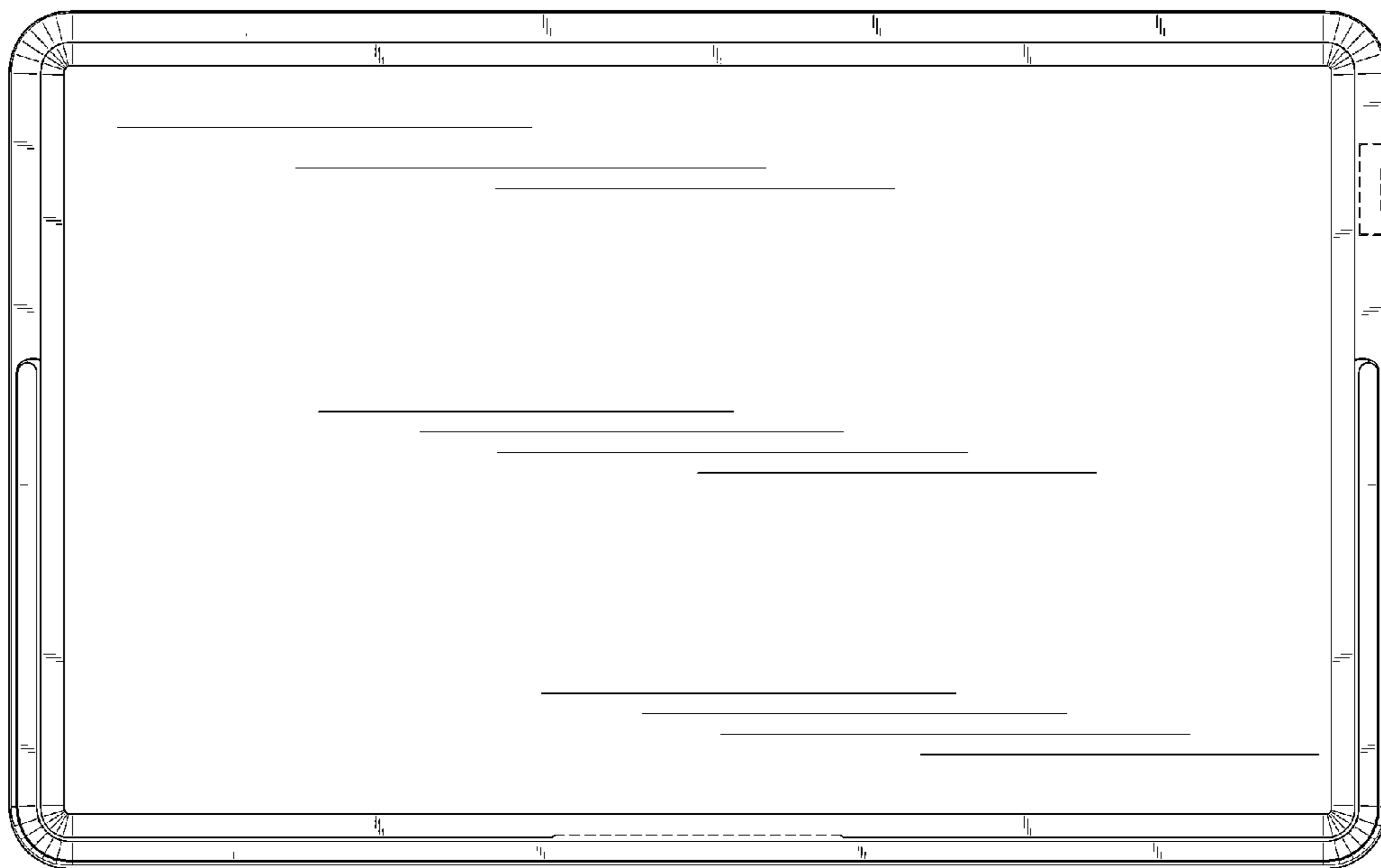


FIG. 4

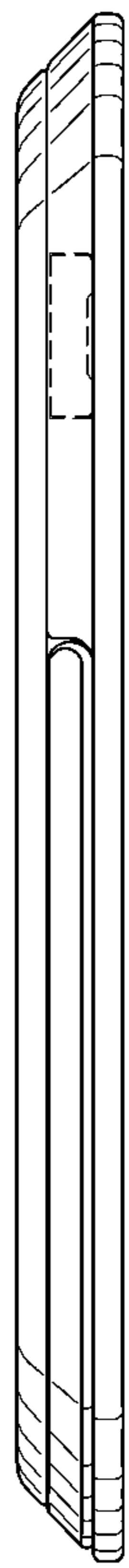


FIG. 5

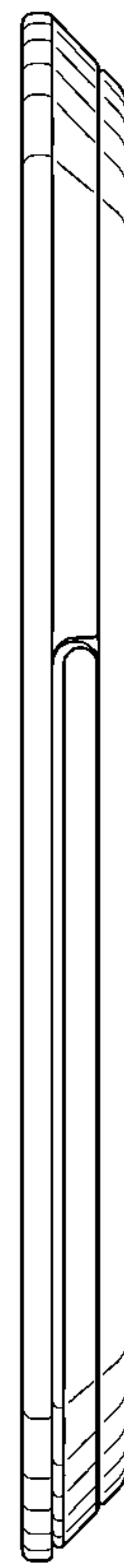


FIG. 6

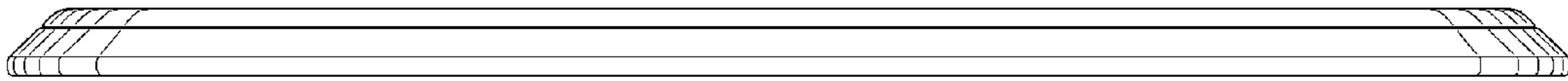


FIG. 7

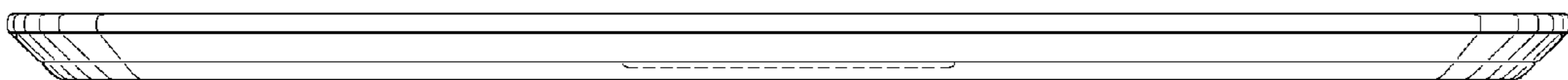


FIG. 8

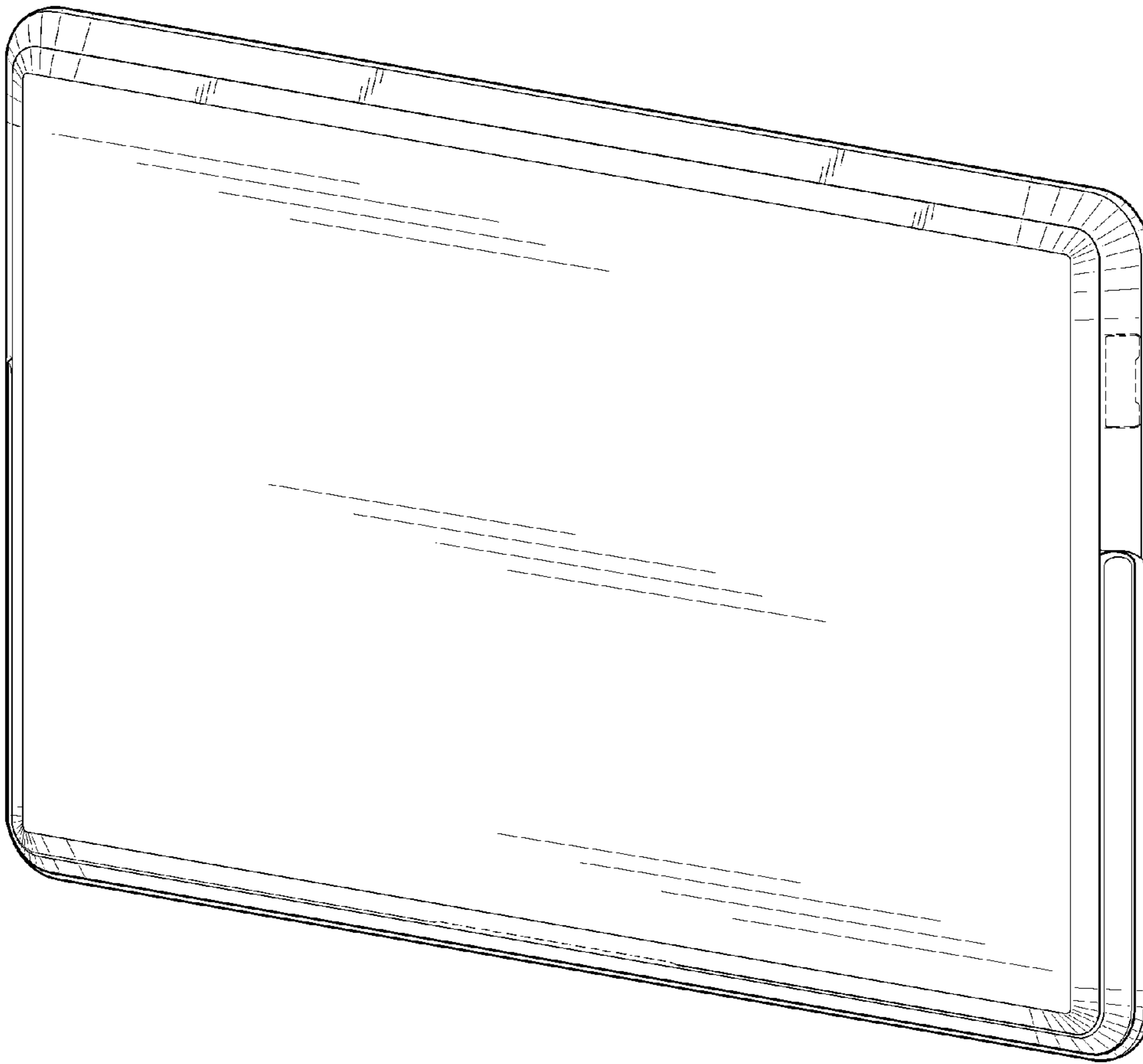


FIG. 9

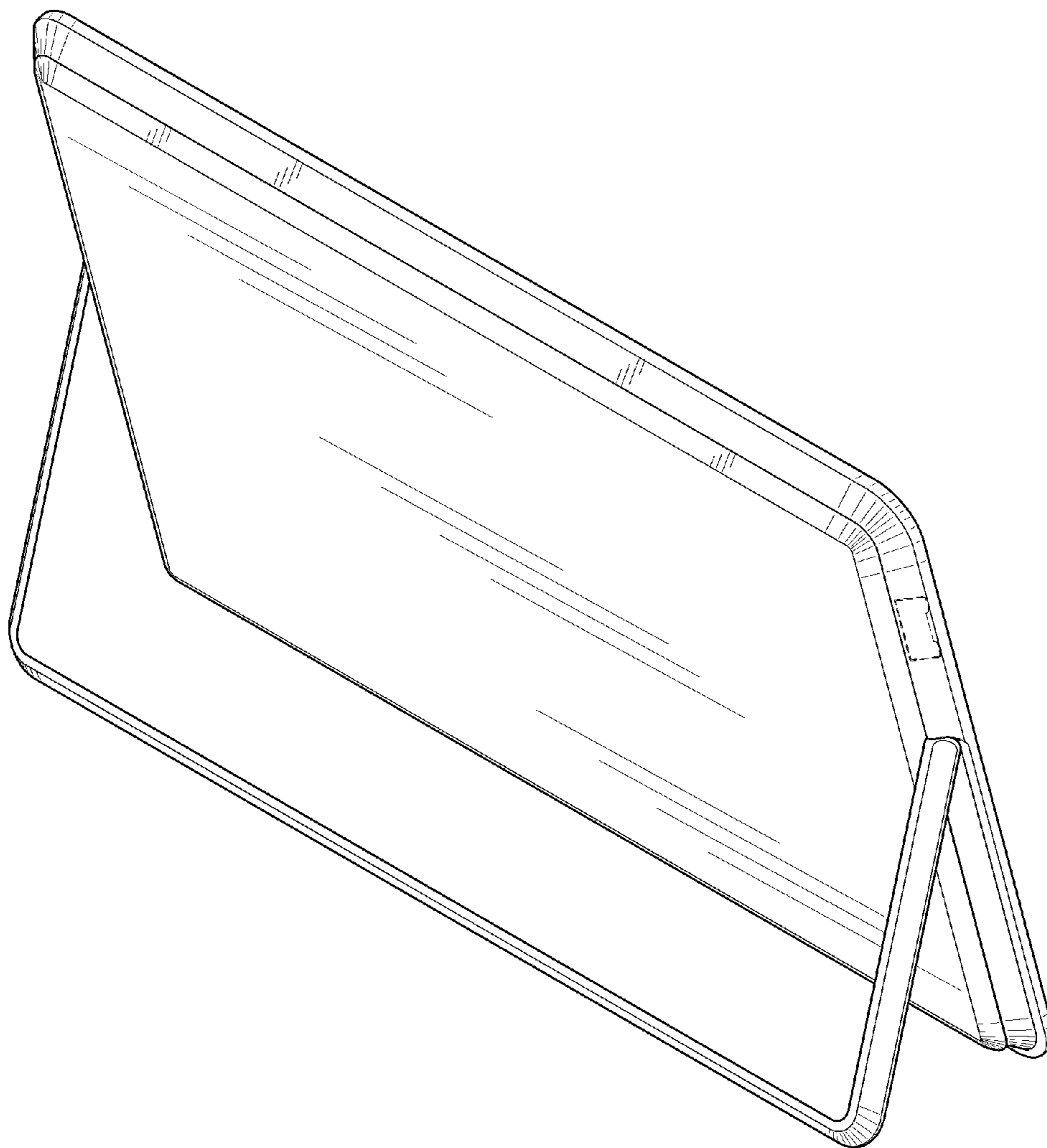


FIG. 10

