



US00D747303S

(12) **United States Design Patent**  
**Su et al.**

(10) **Patent No.:** **US D747,303 S**  
(45) **Date of Patent:** **\*\* Jan. 12, 2016**

- (54) **CASE FOR A PORTABLE ELECTRONIC DEVICE**
- (71) Applicant: **AFC TRIDENT, INC.**, Ontario, CA (US)
- (72) Inventors: **Yi-Chieh Su**, Chino, CA (US); **Hong Lip Yow**, Chino, CA (US)
- (73) Assignee: **AFC TRIDENT, INC.**, Ontario, CA (US)
- (\*\*) Term: **14 Years**
- (21) Appl. No.: **29/444,141**
- (22) Filed: **Jan. 25, 2013**
- (51) **LOC (10) Cl.** ..... **14-03**
- (52) **U.S. Cl.**  
USPC ..... **D14/250**
- (58) **Field of Classification Search**  
USPC ..... D14/250, 440, 238.1, 251–253, D14/203.3–203.7, 217, 496, 248, 240, 447, D14/341–347, 432, 434; D13/110, 118, D13/184, 199, 103, 107, 108, 119; 220/4.02; 320/107; 224/191, 240, 241, 224/245, 682, 683; D3/201, 218, 247, 269, D3/273, 301, 303; 361/679.56, 679.3, 361/679.25, 816; 379/426, 433.11, 455; 455/575.1, 575.8; 206/320, 522  
See application file for complete search history.

D671,933 S *	12/2012	Rodgers	.....	D14/250
D683,338 S *	5/2013	Wilson et al.	.....	D14/250
D684,150 S *	6/2013	Goradesky et al.	.....	D14/250
D685,358 S *	7/2013	Armstrong et al.	.....	D14/250
D688,233 S *	8/2013	Dong	.....	D14/250
D688,234 S *	8/2013	Esses	.....	D14/250
D689,851 S *	9/2013	Chang et al.	.....	D14/250
D691,123 S *	10/2013	Lay et al.	.....	D14/250
D691,124 S *	10/2013	Yang	.....	D14/250
D697,904 S *	1/2014	Wicks et al.	.....	D14/250
2012/0018323 A1 *	1/2012	Johnson et al.	.....	206/320
2012/0325720 A1 *	12/2012	Tages et al.	.....	206/522
2013/0063004 A1 *	3/2013	Lai et al.	.....	312/223.1

\* cited by examiner

*Primary Examiner* — Holly Baynham  
*Assistant Examiner* — Rhea Shields

(74) *Attorney, Agent, or Firm* — Konrad Raynes Davda & Victor, LLP; David W. Victor

(57) **CLAIM**

We claim the ornamental design for a case for a portable electronic device, as shown and described.

**DESCRIPTION**

FIG. 1 is a front perspective view of a case for a portable electronic device according to the claimed design.  
FIG. 2 is a front elevational view thereof.  
FIG. 3 is a rear elevational view thereof.  
FIG. 4 is a left side elevational view thereof.  
FIG. 5 is a right side elevational view thereof.  
FIG. 6 is a top plan view thereof; and,  
FIG. 7 is a bottom plan view thereof.  
In the drawings, the broken lines are for purposes of illustrating environment only and form no part of the claimed design.

**1 Claim, 5 Drawing Sheets**

- (56) **References Cited**  
U.S. PATENT DOCUMENTS  
D637,592 S \* 5/2011 Magness et al. .... D14/250  
D638,829 S \* 5/2011 Melanson et al. .... D14/250  
D671,932 S \* 12/2012 Azoulay ..... D14/250

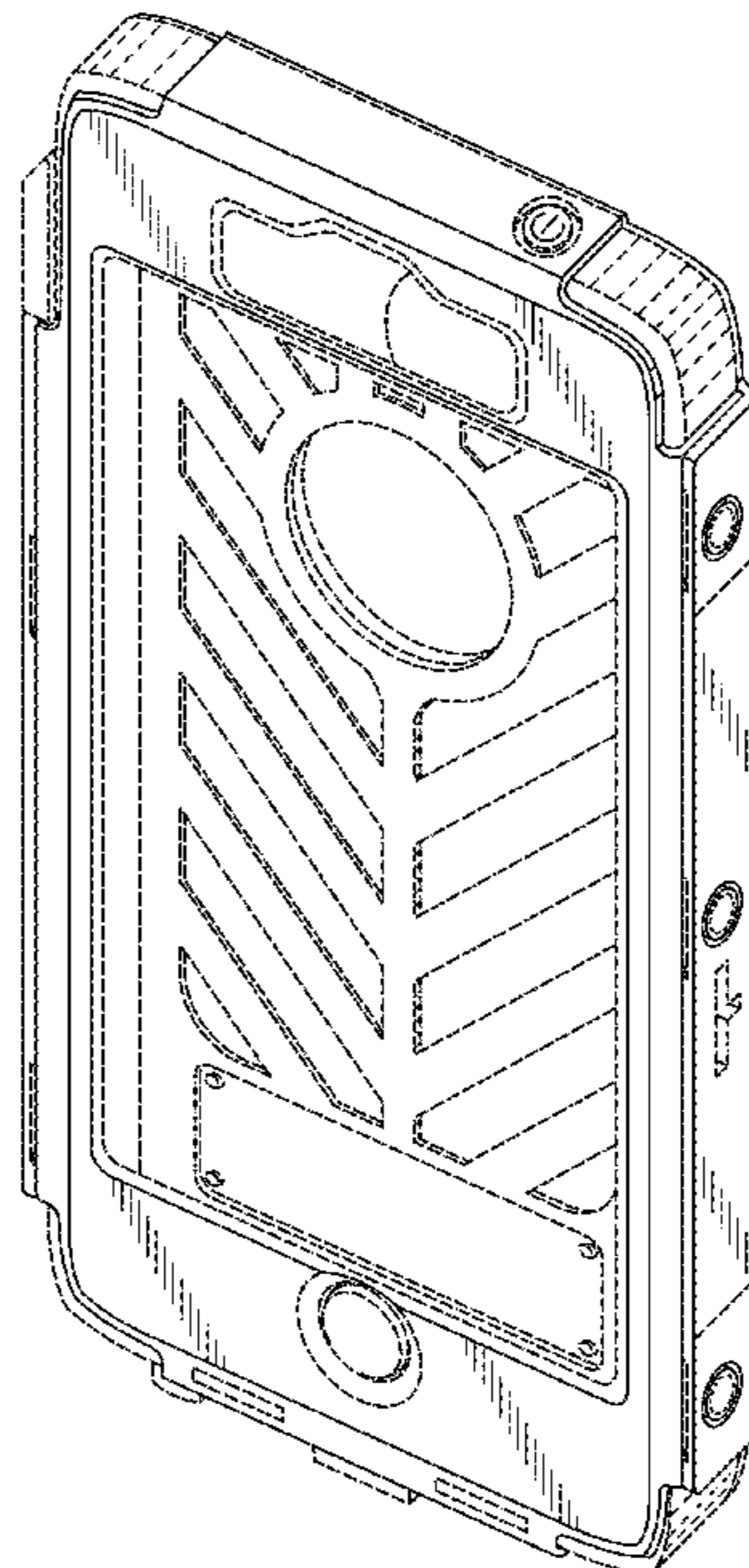


FIG. 1

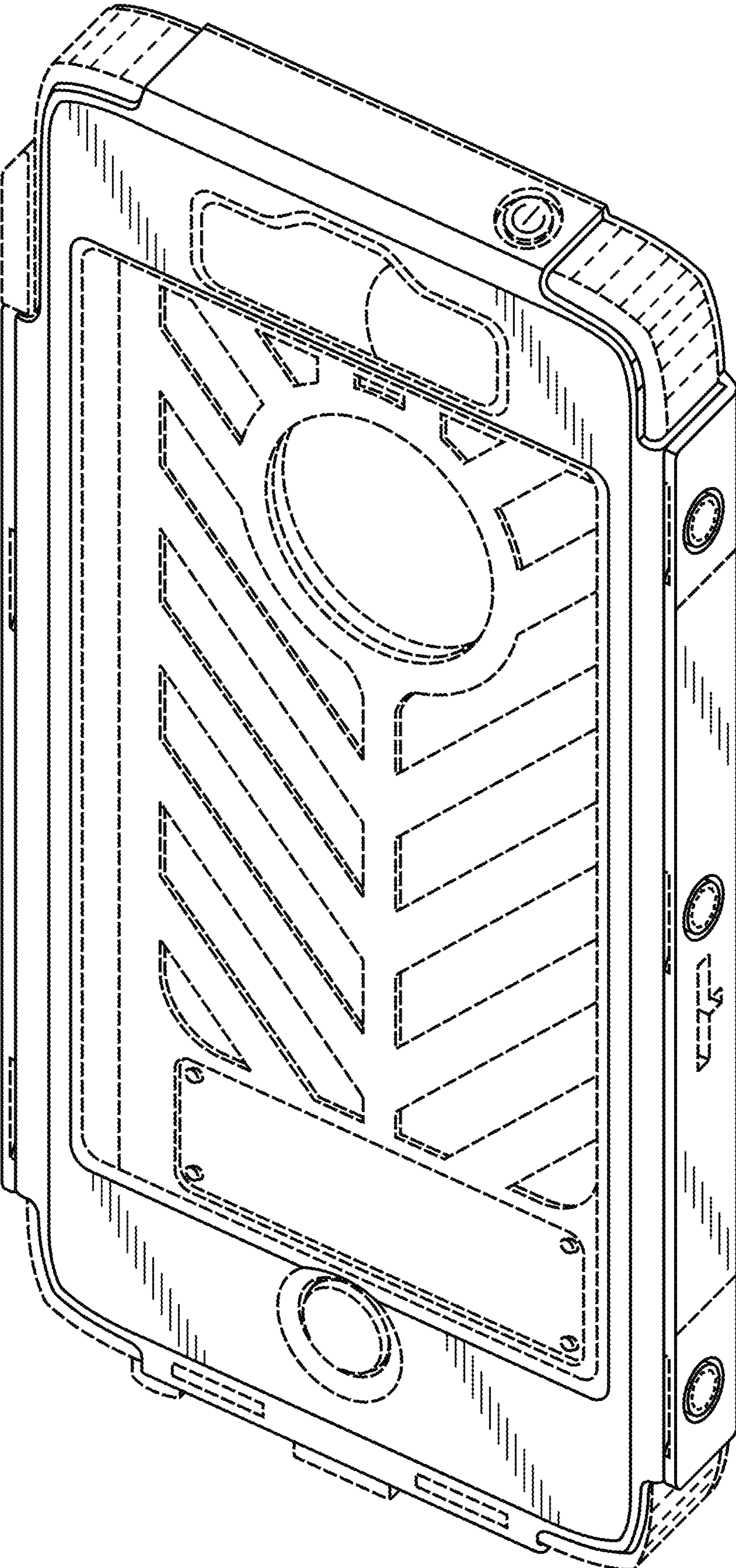
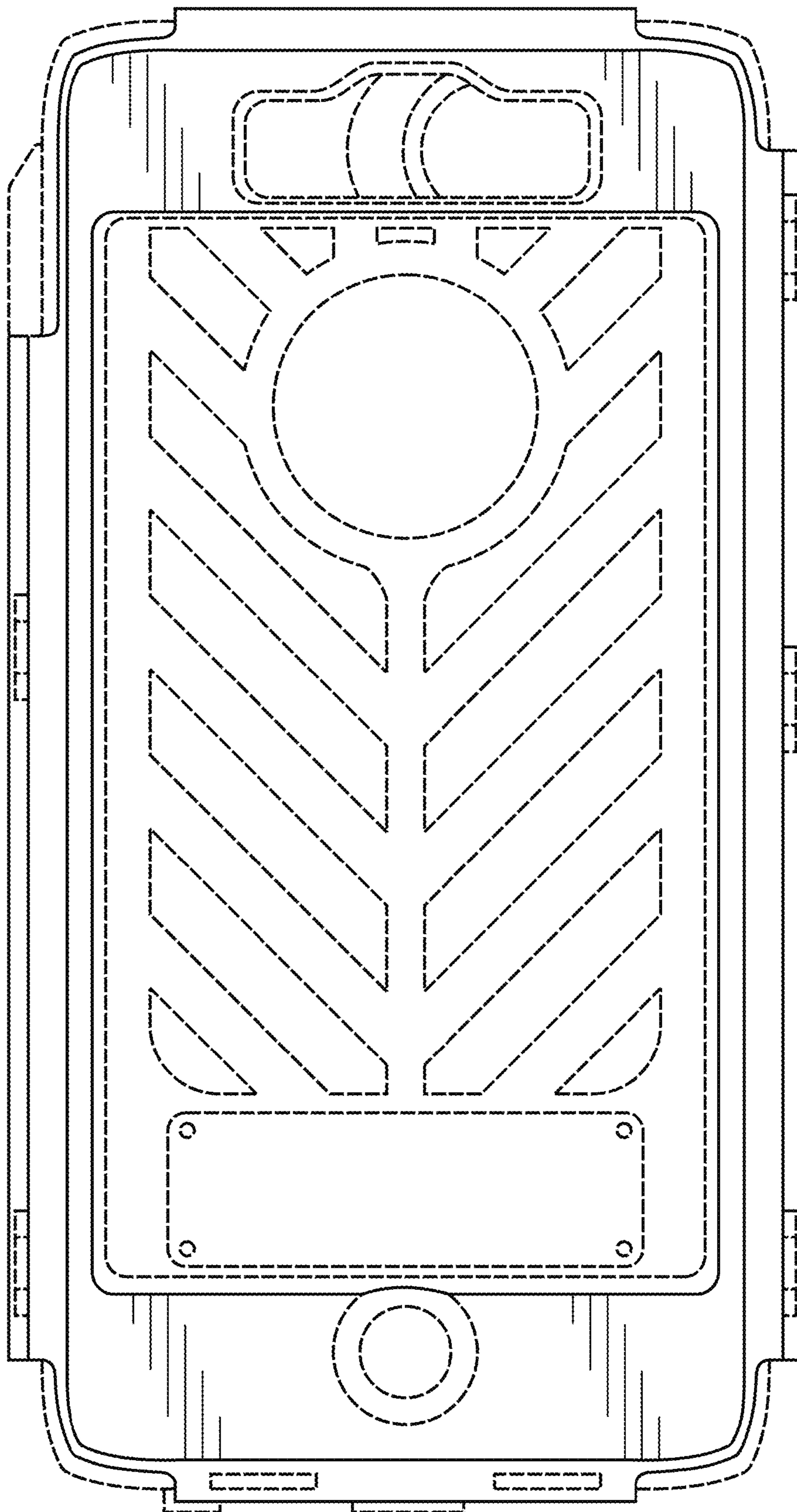


FIG. 2



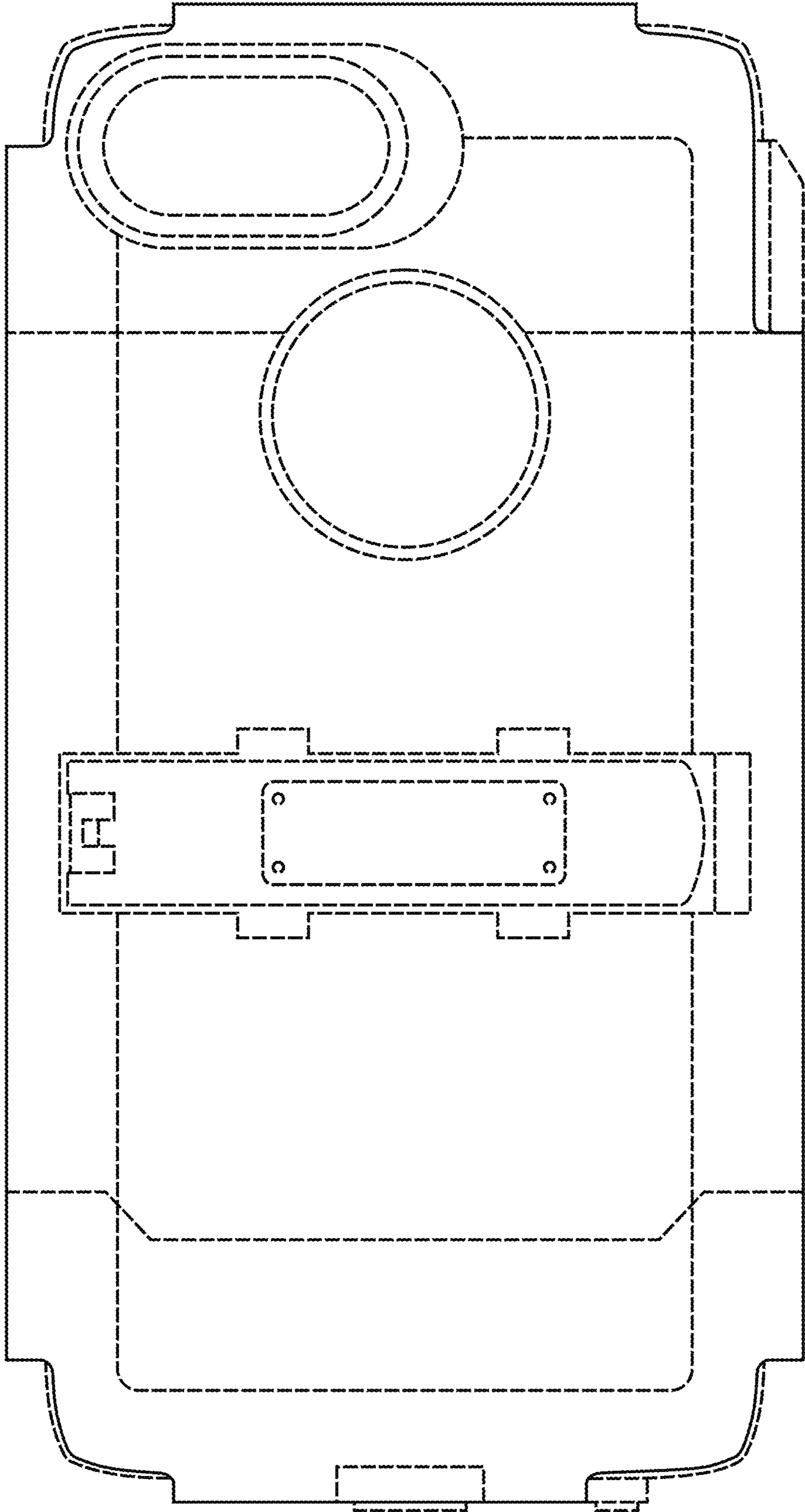


FIG. 3

FIG. 4

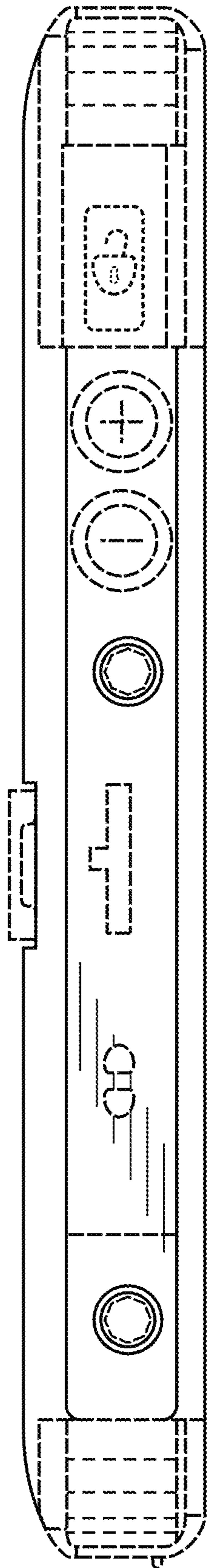
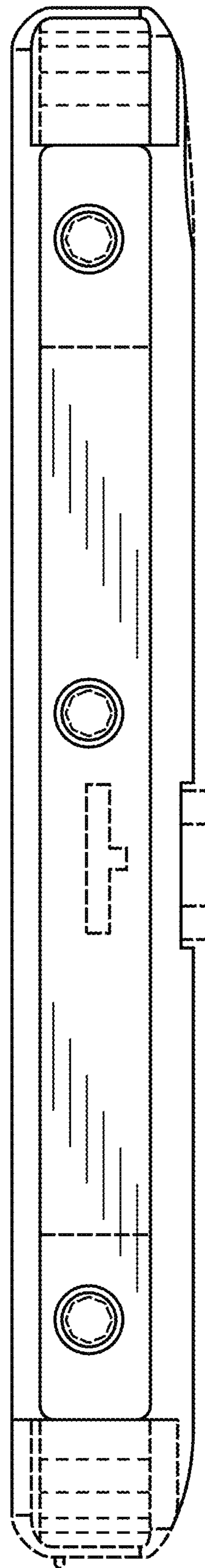


FIG. 5



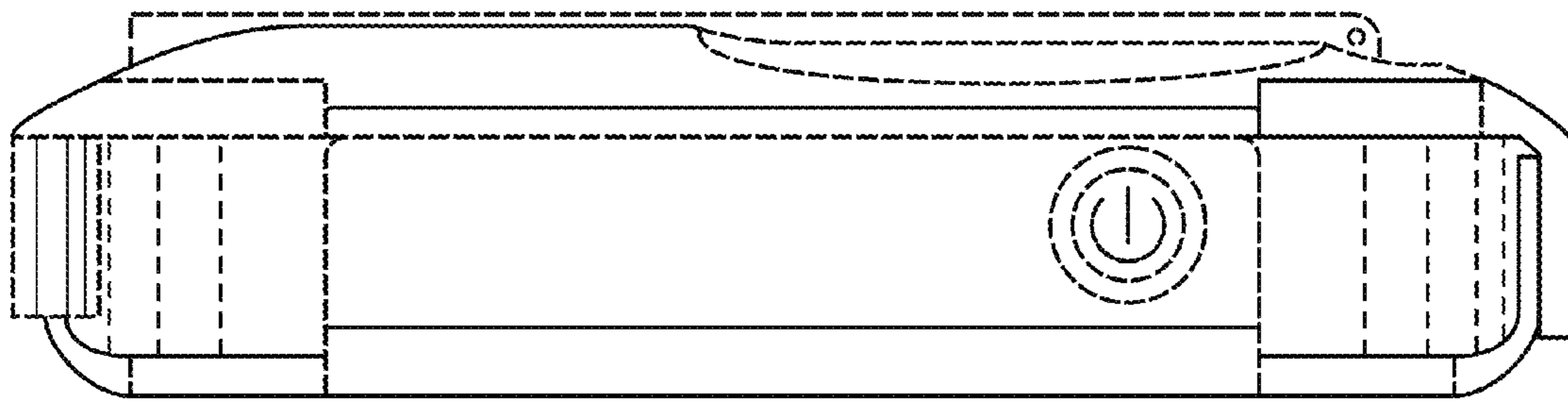


FIG. 6

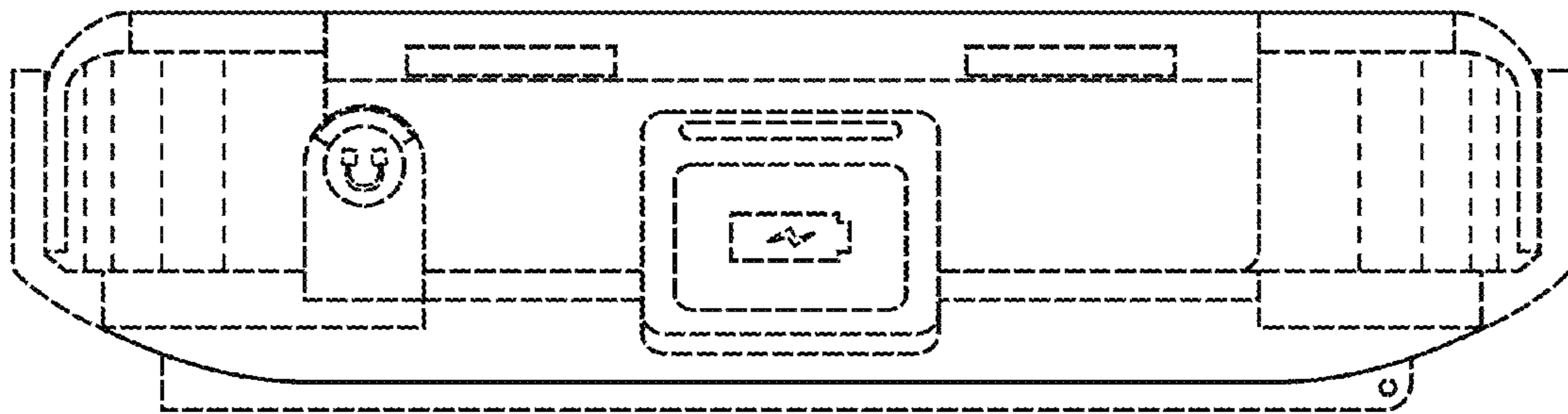


FIG. 7