



US00D747299S

(12) **United States Design Patent**
Kim et al.

(10) **Patent No.:** **US D747,299 S**
(45) **Date of Patent:** **** Jan. 12, 2016**

(54) **STAND FOR TELEVISION**

(56) **References Cited**

(71) Applicant: **Samsung Electronics Co., Ltd.**,
Suwon-si, Gyeonggi-do (KR)
(72) Inventors: **Hee-Bong Kim**, Gimpo-si (KR); **Taehun Kim**, Seoul (KR); **Jae Neung Lee**,
Ansan-si (KR)
(73) Assignee: **Samsung Electronics Co., Ltd.**,
Suwon-si (KR)

U.S. PATENT DOCUMENTS

D548,229 S *	8/2007	Tanigawa et al.	D14/239
D626,924 S *	11/2010	Miyaji	D14/126
D639,760 S *	6/2011	Tierney et al.	D14/126
D671,084 S *	11/2012	Kim et al.	D14/126
D689,033 S *	9/2013	Hwangbo et al.	D14/126
D699,230 S *	2/2014	Chen et al.	D14/239
D709,467 S *	7/2014	Jiang et al.	D14/126
D709,470 S *	7/2014	Ryu et al.	D14/126

* cited by examiner

(**) Term: **14 Years**

Primary Examiner — Randall Gholson

(21) Appl. No.: **29/518,462**

(74) *Attorney, Agent, or Firm* — Ladas & Parry LLP

(22) Filed: **Feb. 24, 2015**

(57) **CLAIM**

We claim the ornamental design for stand for television, as shown and described.

(30) **Foreign Application Priority Data**

DESCRIPTION

Aug. 26, 2014 (KR) 30-2014-0041611

(51) **LOC (10) Cl.** **14-03**

(52) **U.S. Cl.**
USPC **D14/239**

(58) **Field of Classification Search**
USPC D14/125–134, 239, 371, 136, 374–377,
D14/440, 450, 448, 336, 342, 159; 312/7.2;
348/836, 838, 180, 184, 325, 739;
248/917–924, 465; 345/104, 133, 156,
345/168, 87, 173; D21/329, 515, 577, 622,
D21/333, 433, 448, 452, 450, 331, 505;
D10/15, 26; 446/484, 175, 356;
D6/477, 479, 300; D24/185; D34/14
CPC ... G06F 1/1601; G06F 1/1643; H05K 5/0004;
H05K 5/0017; H05K 5/02; H05K 5/0217
See application file for complete search history.

FIG. 1 is the front perspective view of stand for television showing our new design;
FIG. 2 is the front view thereof;
FIG. 3 is the rear view thereof;
FIG. 4 is the left-side view thereof;
FIG. 5 is the right-side view thereof;
FIG. 6 is the top-side plan view thereof;
FIG. 7 is the bottom-side plan view thereof;
FIG. 8 is the rear perspective view thereof;
FIG. 9 is the front perspective view thereof shown in an example environment; and,
FIG. 10 is the rear perspective of FIG. 9.
The broken lines are for environmental purposes only and form no part of the claimed design.

1 Claim, 10 Drawing Sheets

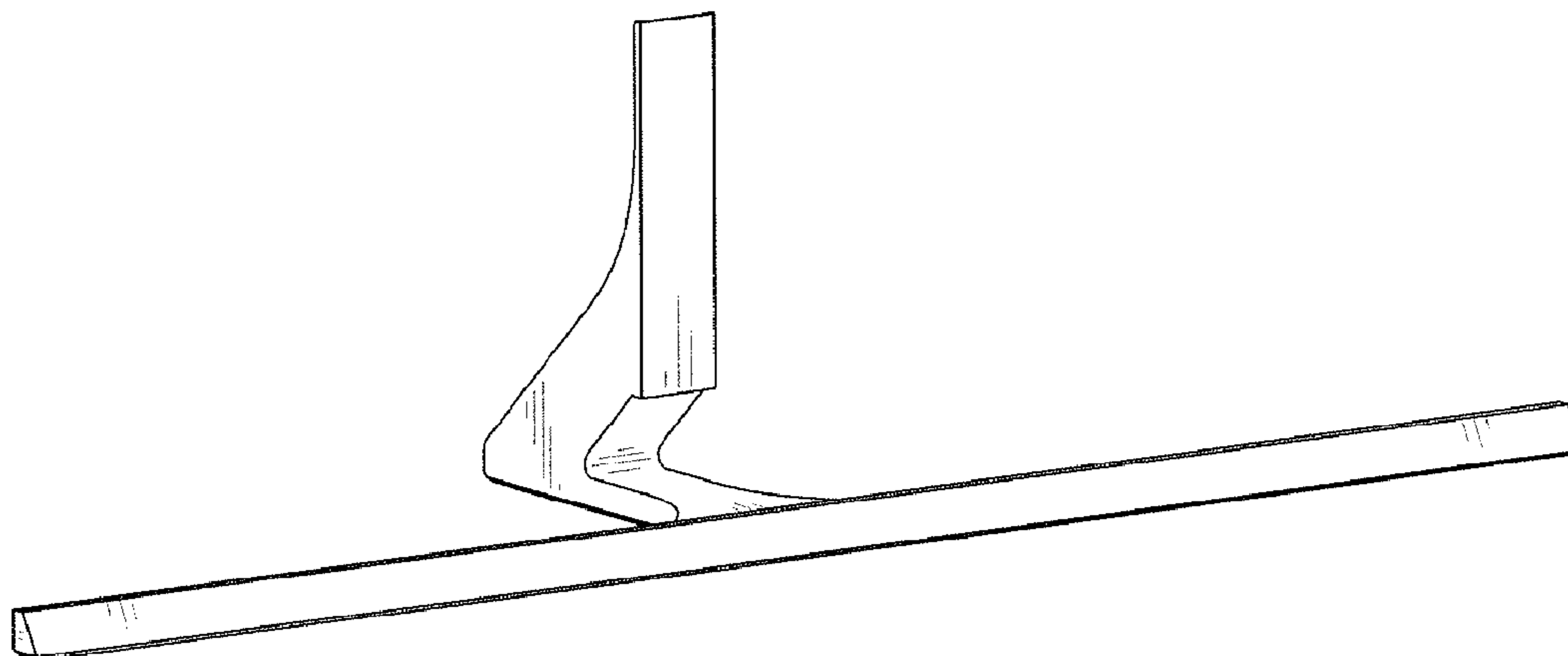


FIG.1

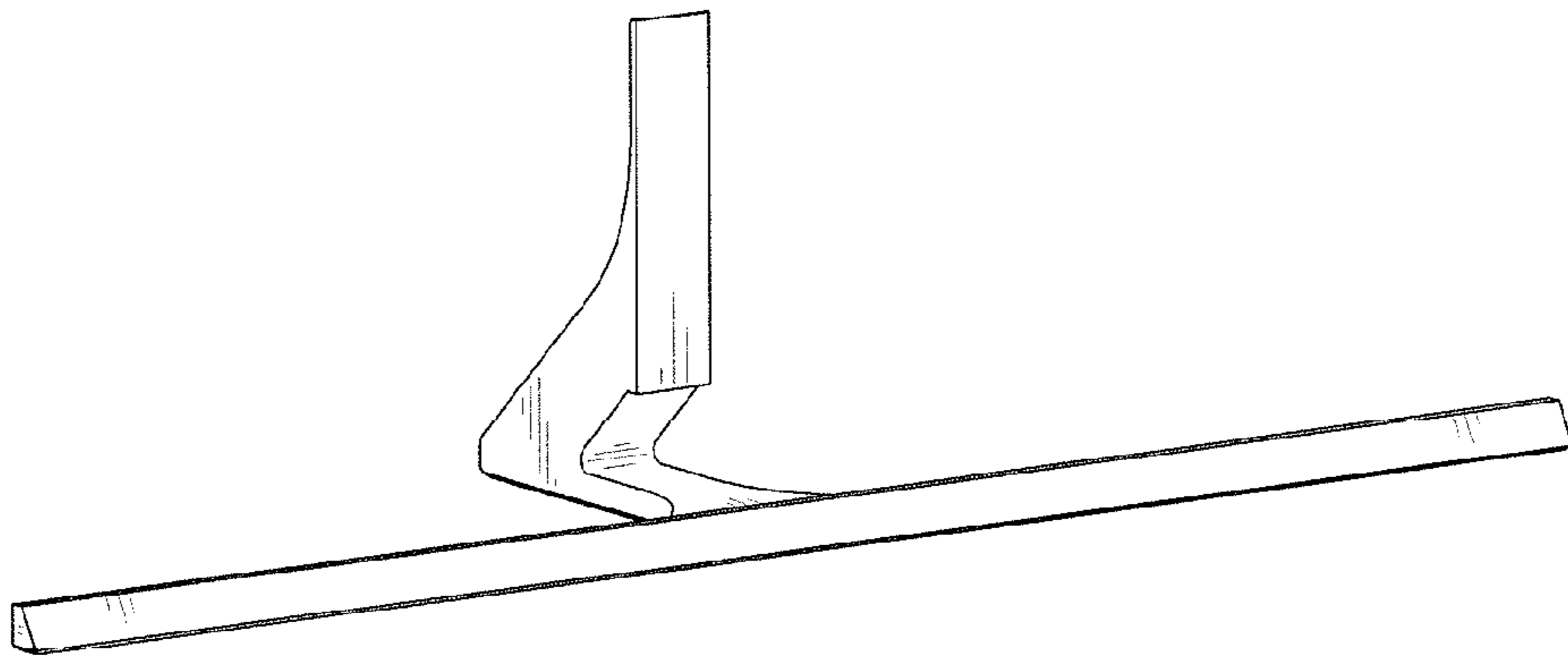


FIG.2

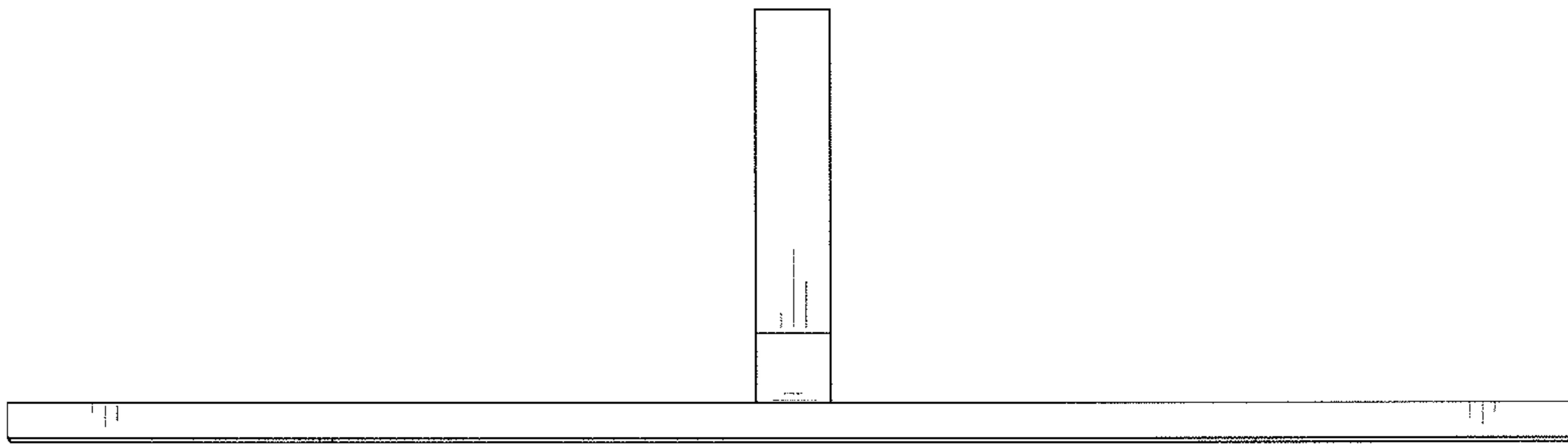


FIG.3

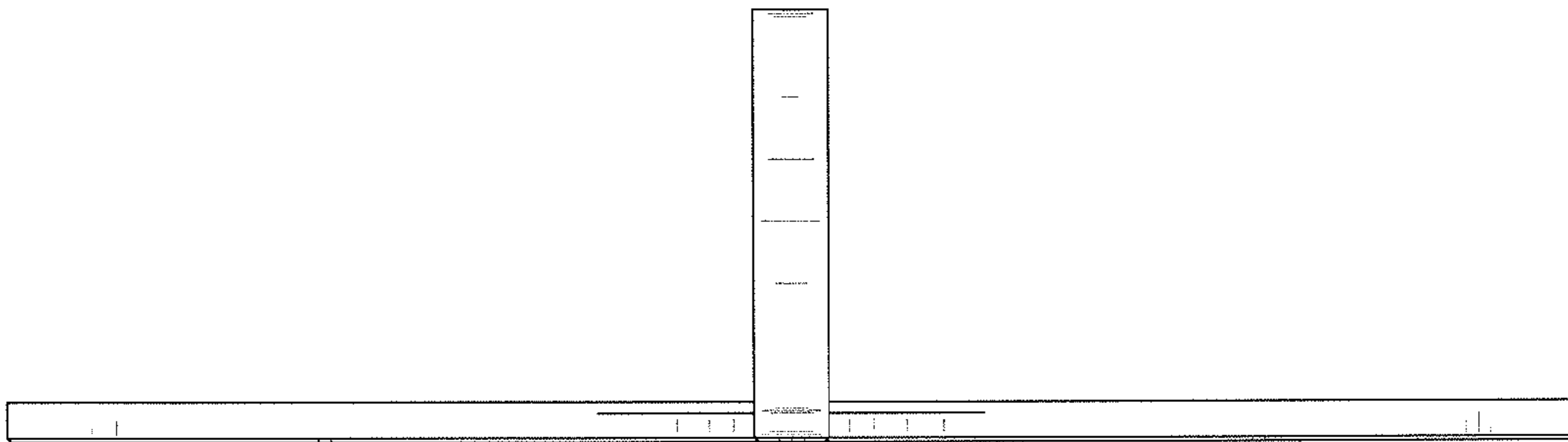


FIG.4

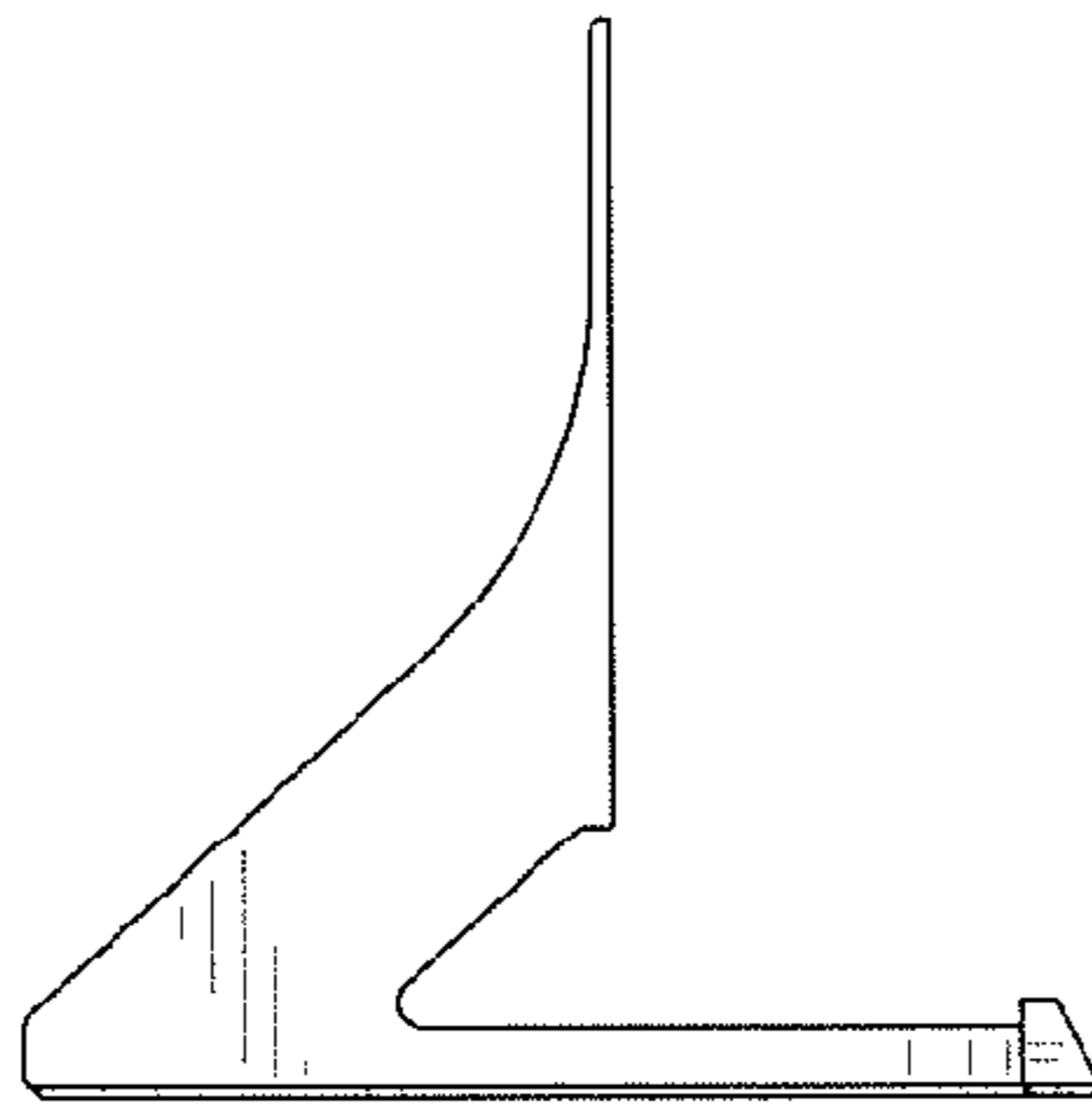


FIG.5

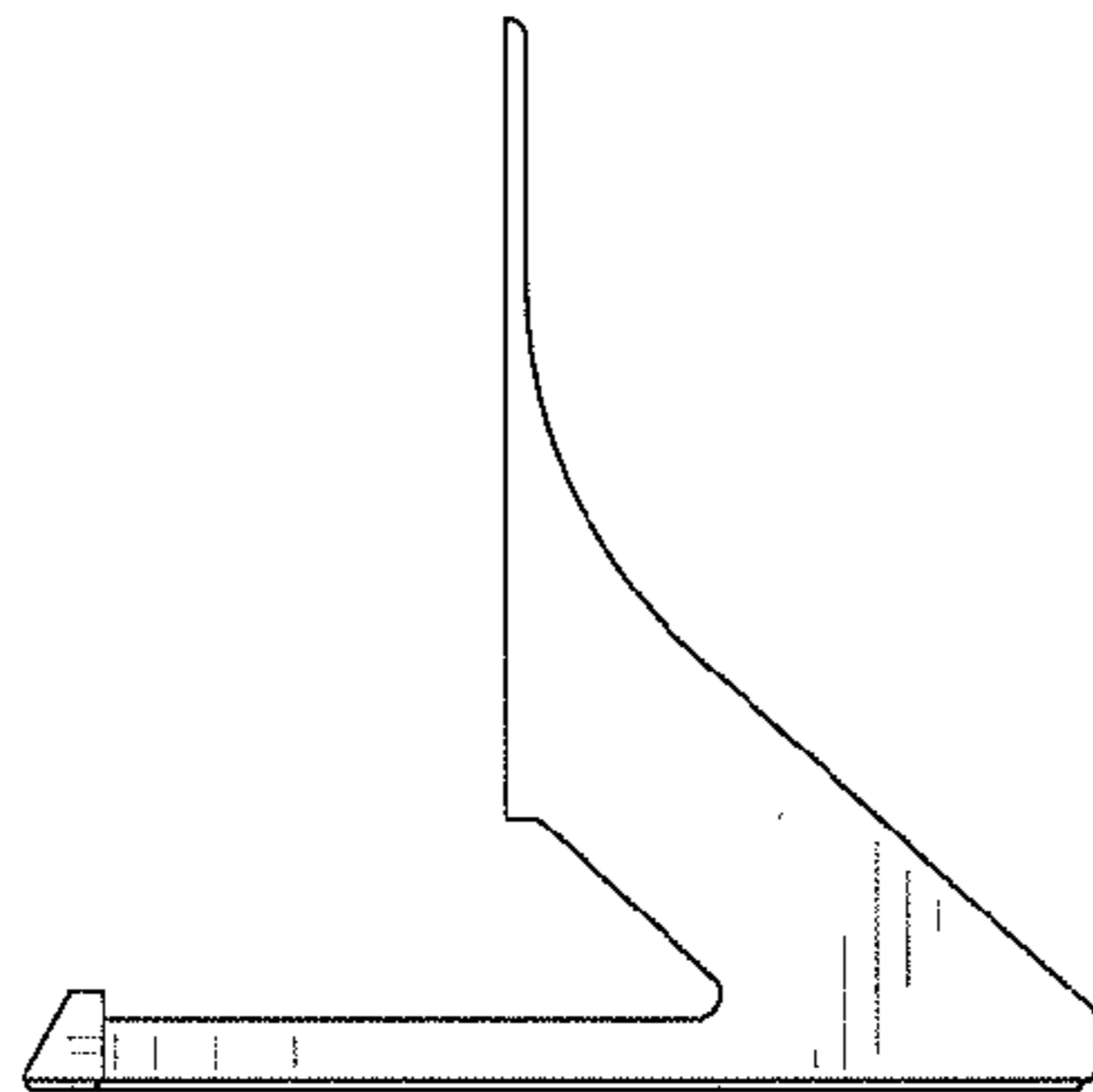


FIG.6

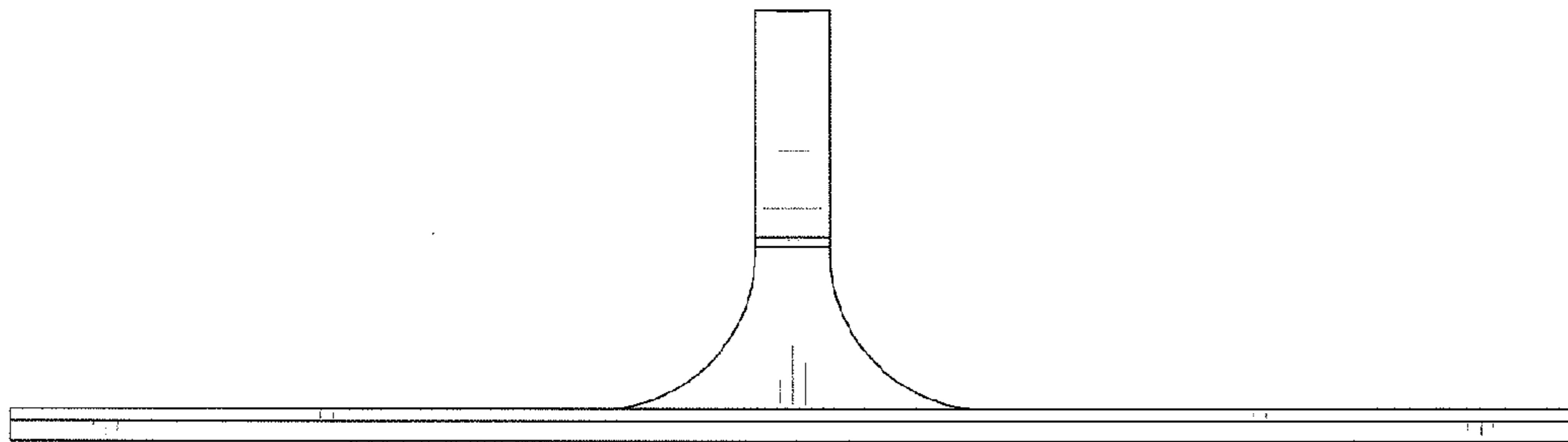


FIG.7

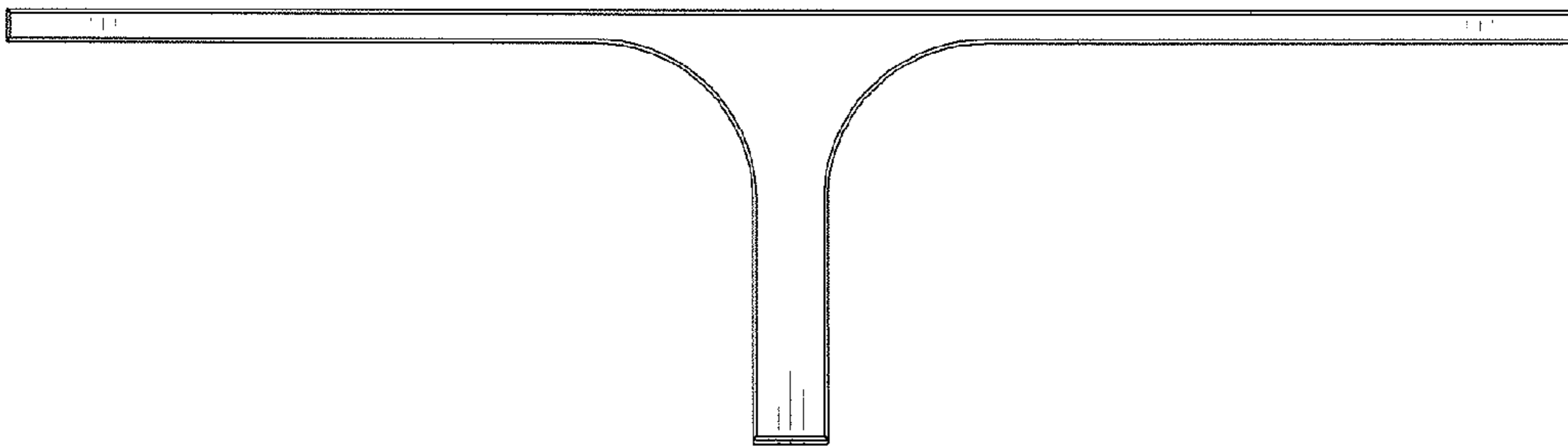


FIG.8

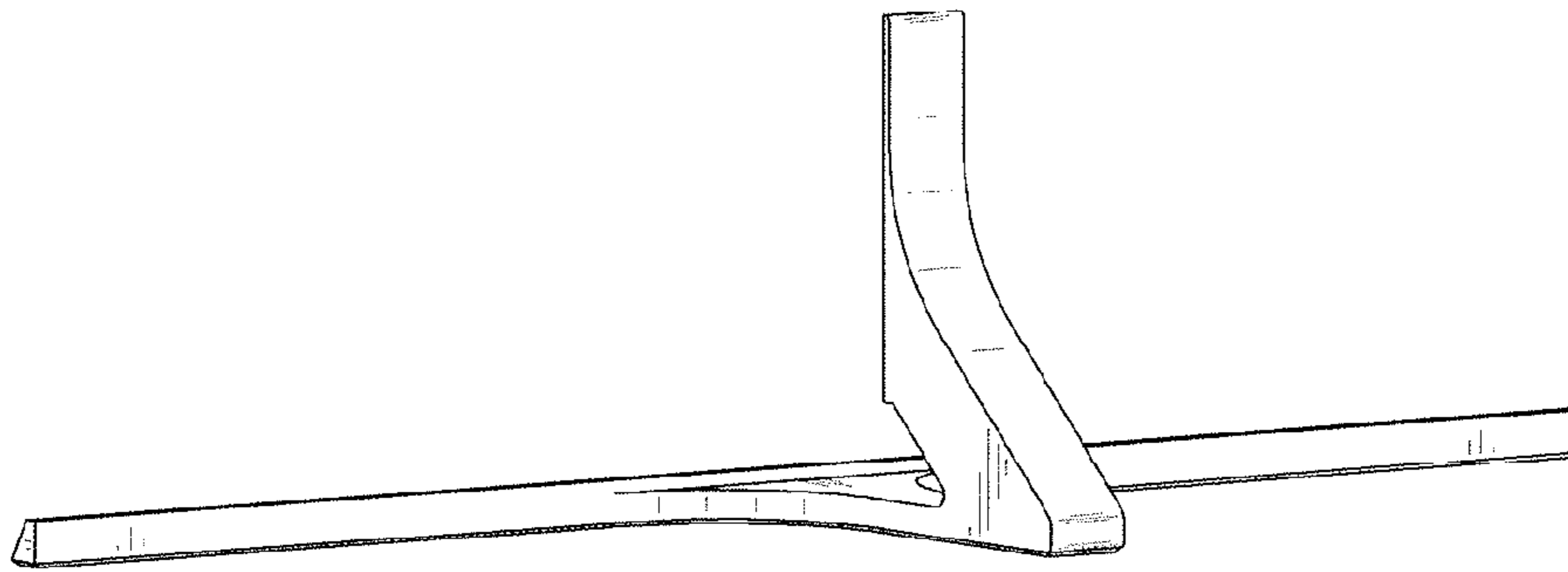


FIG.9

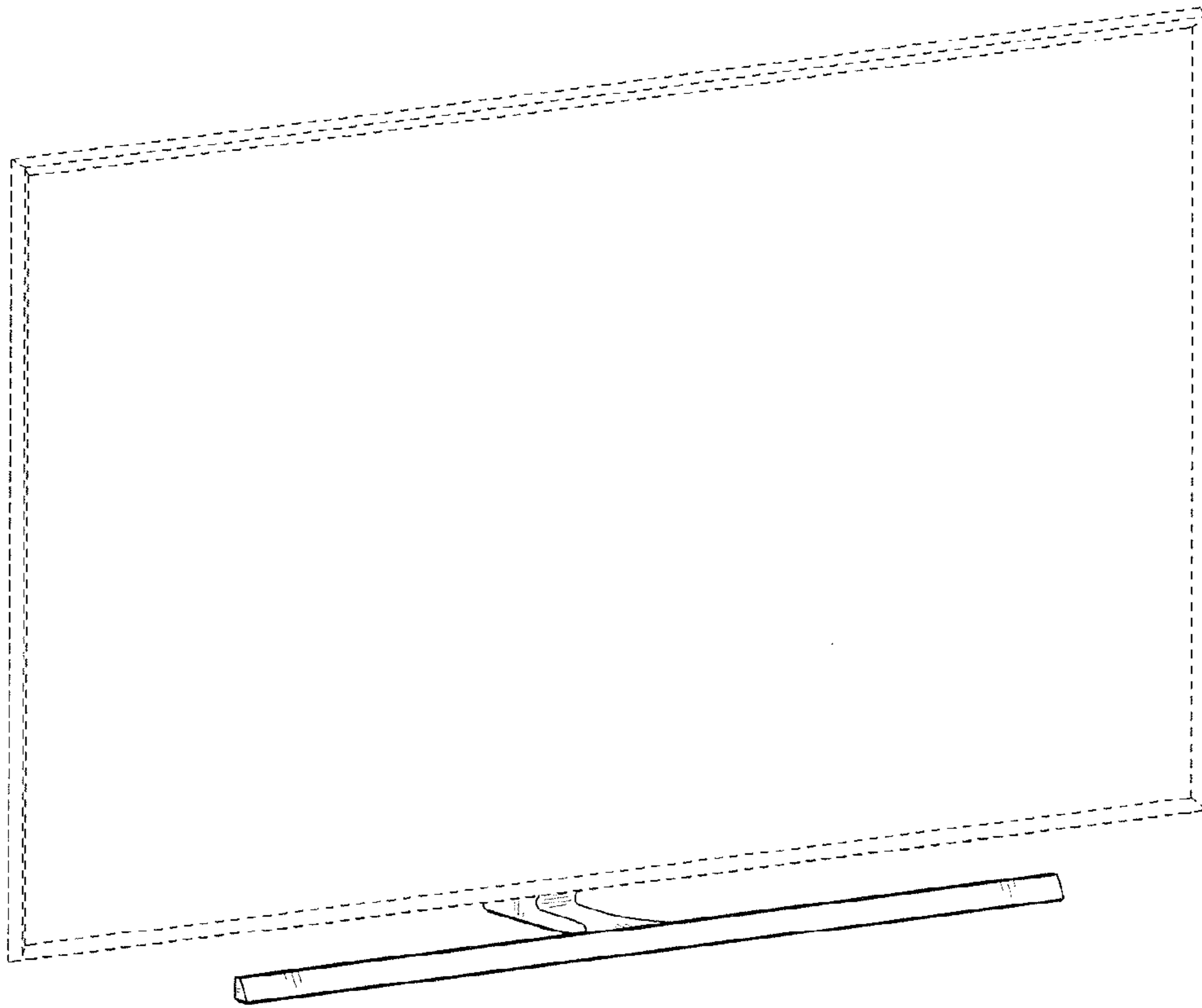


FIG.10

