



US00D747298S

(12) **United States Design Patent**
Lee et al.

(10) **Patent No.:** **US D747,298 S**
(45) **Date of Patent:** **** Jan. 12, 2016**

(54) **ANTENNA**

FOREIGN PATENT DOCUMENTS

(71) Applicants: **AGC AUTOMOTIVE AMERICAS R&D, INC.**, Ypsilanti, MI (US); **AGC Flat Glass North America, Inc.**, Alpharetta, GA (US)

CN 3660226 * 6/2007
EP 0 720 249 A2 7/1996

(Continued)

(72) Inventors: **Ming Lee**, Ypsilanti, MI (US); **Jesus Gedde**, Dexter, MI (US); **Frederick M. Schaible, III**, Grosse Pointe Park, MI (US); **Yasutaka Horiki**, Ypsilanti, MI (US); **Jun Noda**, Canton, MI (US)

OTHER PUBLICATIONS

Windscreen mount antenna, updated Apr. 12, 2011, online, <http://www.gerrelt.nl/section-aerodynamics/aerody-windscreen-antenna.html>, [site visited Jul. 29, 2015 7:30:57 PM].*

(Continued)

(73) Assignees: **AGC AUTOMOTIVE AMERICAS R&D, INC.**, Ypsilanti, MI (US); **AGC FLAT GLASS NORTH AMERICA, INC.**, Alpharetta, GA (US)

Primary Examiner — John Windmuller
Assistant Examiner — John R Yeh

(74) *Attorney, Agent, or Firm* — Howard & Howard Attorneys PLLC

(**) Term: **14 Years**

(21) Appl. No.: **29/480,027**

(22) Filed: **Jan. 22, 2014**

(51) **LOC (10) Cl.** **14-03**

(52) **U.S. Cl.**
USPC **D14/230**

(58) **Field of Classification Search**
USPC D14/230, 299, 358, 234–236
CPC H01Q 7/00; H01Q 13/10; H01Q 9/285;
H01Q 3/44; H01Q 19/30; H01Q 19/12;
H01Q 1/38; H01Q 1/243; H01Q 1/273;
H01Q 1/3275; H01Q 1/1271; H01Q 1/125;
B60R 16/03; B60R 25/04
See application file for complete search history.

(57) **CLAIM**

The ornamental design for an antenna, as substantially shown and described.

DESCRIPTION

FIG. 1 is a front plan view of another embodiment of an antenna according to the present invention; FIG. 2 is a rear plan view of the antenna of FIG. 1; FIG. 3 is a top view of the antenna of FIG. 1; FIG. 4 is a bottom view of the antenna of FIG. 1; FIG. 5 is a right view of the antenna of FIG. 1; FIG. 6 is a left view of the antenna of FIG. 1; FIG. 7 is a cross-sectional view of the antenna of FIG. 1 taken along line 31-31 in FIG. 1; and, FIG. 8 is a cross-sectional view of the antenna of FIG. 1 taken along line 32-32 in FIG. 1. The broken lines in the figures illustrate environment and form no part of the claimed design.

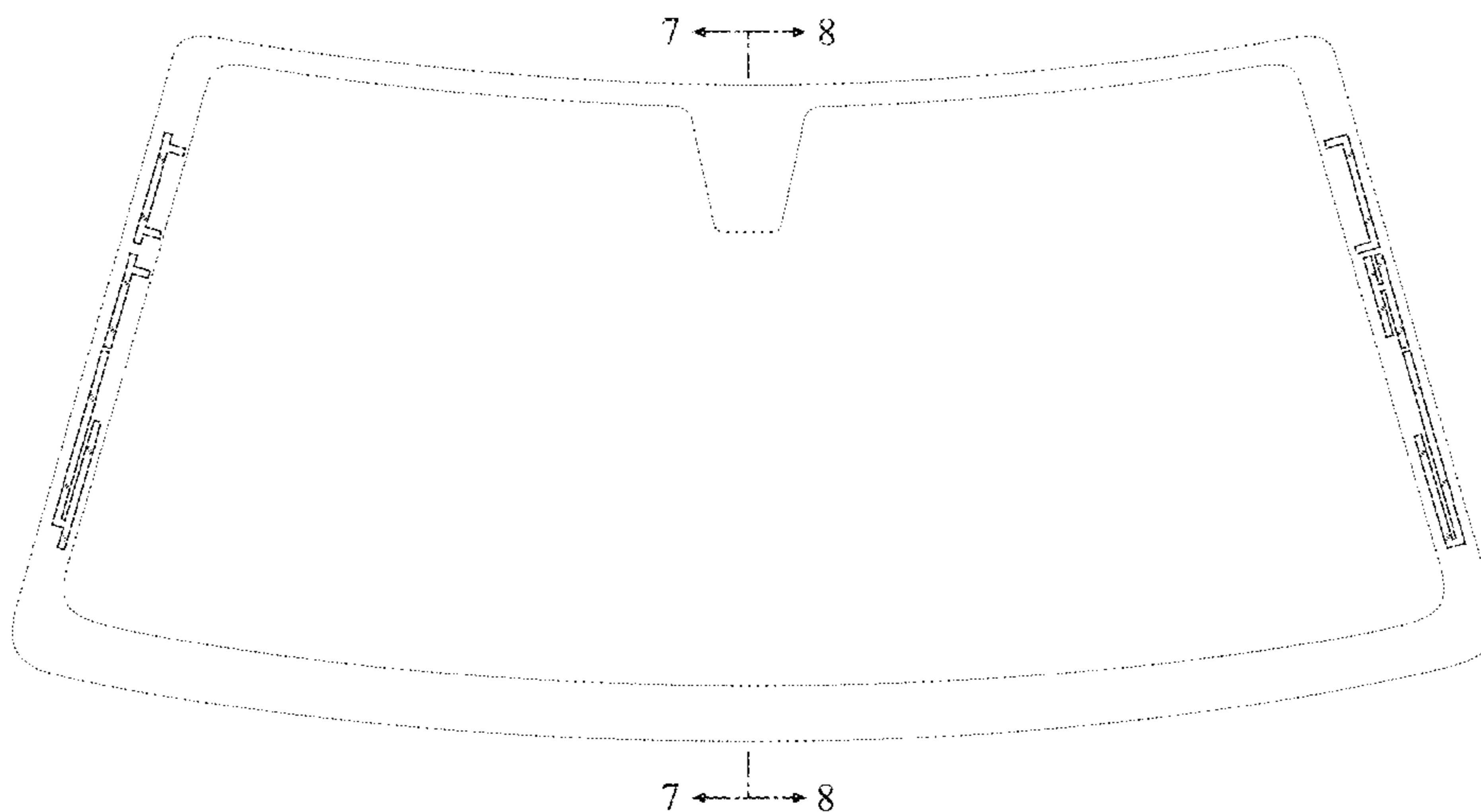
(56) **References Cited**

U.S. PATENT DOCUMENTS

3,728,732 A * 4/1973 Igarashi 343/713
3,945,014 A * 3/1976 Kunert et al. 343/713

(Continued)

1 Claim, 3 Drawing Sheets



(56)

References Cited

U.S. PATENT DOCUMENTS

4,072,955 A * 2/1978 Comastri et al. 343/713
 4,768,037 A 8/1988 Inaba et al.
 4,849,766 A 7/1989 Inaba et al.
 5,005,020 A 4/1991 Ogawa et al.
 5,132,161 A 7/1992 Shibata et al.
 5,142,460 A 8/1992 McAtee
 5,670,966 A 9/1997 Dishart et al.
 5,856,035 A 1/1999 Khandkar et al.
 5,898,407 A 4/1999 Paulus et al.
 5,999,136 A 12/1999 Winter et al.
 D434,752 S 12/2000 Kudo
 6,320,276 B1 11/2001 Sauer
 6,417,811 B1 7/2002 Adrian
 D490,801 S * 6/2004 Iwai et al. D14/230
 6,906,287 B2 6/2005 Sol
 D543,974 S 6/2007 Oshima et al.
 D544,469 S 6/2007 Oshima
 D588,586 S 3/2009 Montgomery et al.
 7,508,345 B2 * 3/2009 Pan et al. 343/700 MS
 7,518,558 B2 * 4/2009 Kato et al. 343/700 MS
 D602,010 S 10/2009 Yakubo
 D615,966 S 5/2010 Shinkawa et al.
 D618,223 S * 6/2010 Tsai et al. D14/230
 D620,857 S 8/2010 Noguchi et al.
 D620,858 S 8/2010 Noguchi et al.
 D621,819 S 8/2010 Tsai et al.
 7,847,745 B2 12/2010 Martin
 D635,560 S * 4/2011 Tsai et al. D14/230
 D635,964 S 4/2011 Podduturi
 D636,382 S 4/2011 Podduturi
 8,268,222 B2 * 9/2012 Aisenbrey 264/328.1
 8,269,676 B2 * 9/2012 Lin 343/702
 D675,195 S 1/2013 Huang et al.
 D676,429 S 2/2013 Gosalia et al.
 8,466,842 B2 6/2013 Dai
 D686,600 S * 7/2013 Yang D14/230
 D689,474 S * 9/2013 Yang et al. D14/230
 8,590,797 B2 * 11/2013 Kato et al. 235/492
 D694,738 S 12/2013 Yang
 8,906,523 B2 12/2014 Brantner
 2003/0034927 A1 * 2/2003 Deininger 343/713

2004/0200821 A1 * 10/2004 Voeltzel 219/203
 2007/0040028 A1 * 2/2007 Kawamata 235/435
 2008/0068276 A1 * 3/2008 Noro 343/791
 2008/0079639 A1 * 4/2008 Jen-Huan 343/702
 2008/0143630 A1 * 6/2008 Kato et al. 343/795
 2008/0158075 A1 7/2008 Villarroel et al.
 2008/0218417 A1 9/2008 Gillette
 2008/0283173 A1 * 11/2008 Hisaeda 156/102
 2010/0283694 A1 * 11/2010 Kato 343/730
 2011/0043412 A1 * 2/2011 Kim 343/700 MS
 2012/0256798 A1 10/2012 Paulus et al.
 2012/0280873 A1 * 11/2012 Rofougaran 343/753
 2014/0361948 A1 * 12/2014 Tanaka et al. 343/861

FOREIGN PATENT DOCUMENTS

JP 63-155805 A 6/1988
 JP D 1185796 9/2003
 JP D 1224231 12/2004
 JP D1239259 * 5/2005
 JP D1263798 * 2/2006
 JP D1291197 * 1/2007
 JP D 1350409 2/2009
 JP D1421524 * 8/2011
 KR 300552847.0000 * 2/2010
 WO WO 2012/079002 A1 6/2012

OTHER PUBLICATIONS

International Search Report for Application No. PCT/US2014/012526 dated Oct. 9, 2014, 4 pages.
 English language abstract for JPS 63-155805 extracted from PAJ database on Oct. 16, 2014, 1 page.
 English language abstract/description for JPD 1185796 extracted from <https://www9.orbit.com/index.html?ticket=2ddf4357-0380-4cdc-ba25-4d0fe264076d&locale=en&embedded=false> &locale=en#DesignFullPage on Jul. 29, 2015, 1 page.
 English language abstract/description for JPD 1224231 extracted from <https://www9.orbit.com/index.html?ticket=2ddf4357-0380-4cdc-ba25-4d0fe264076d&locale=en&embedded=false> &locale=en#DesignFullPage on Jul. 29, 2015, 1 page.

* cited by examiner

FIG. 1

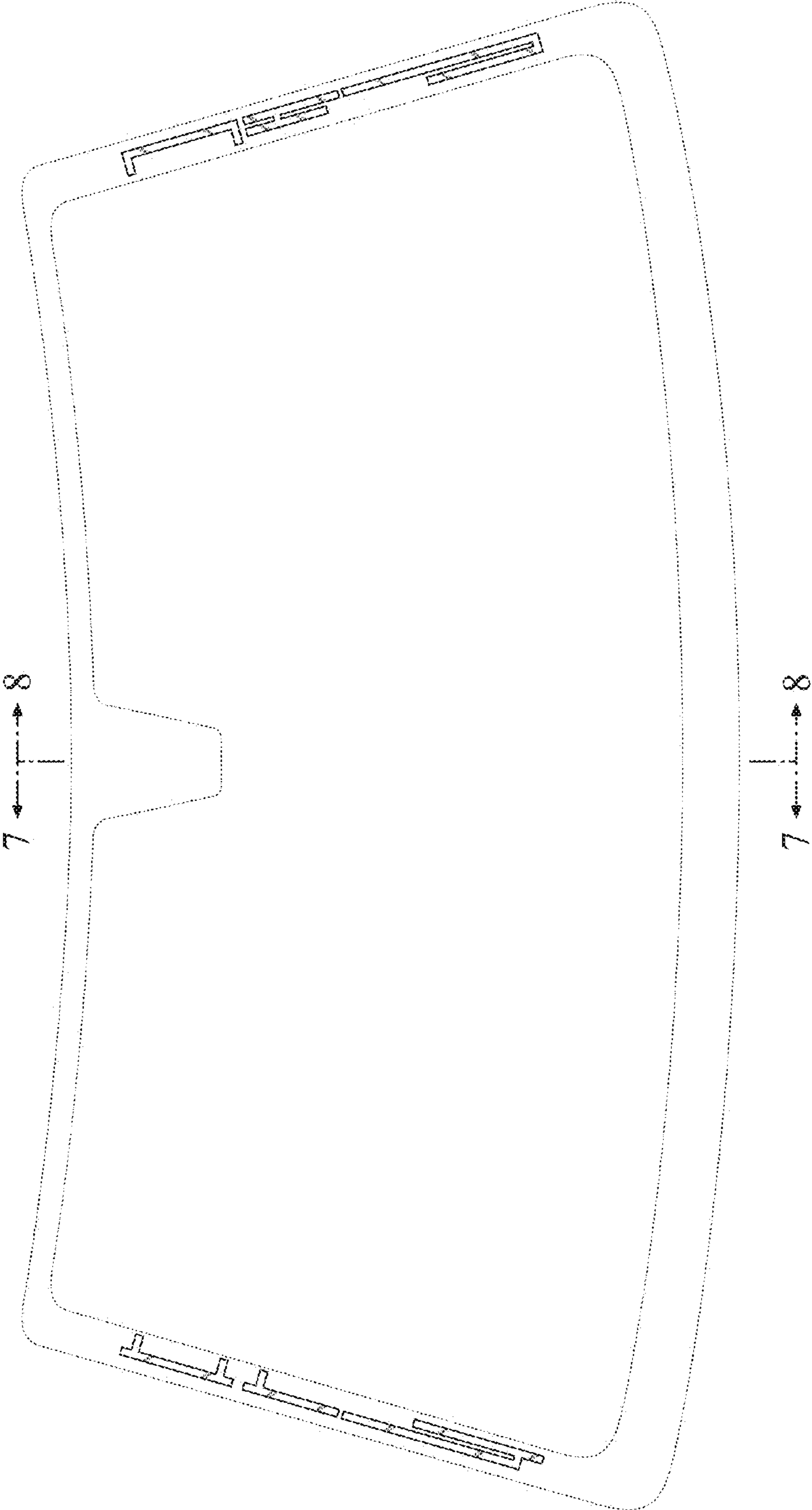
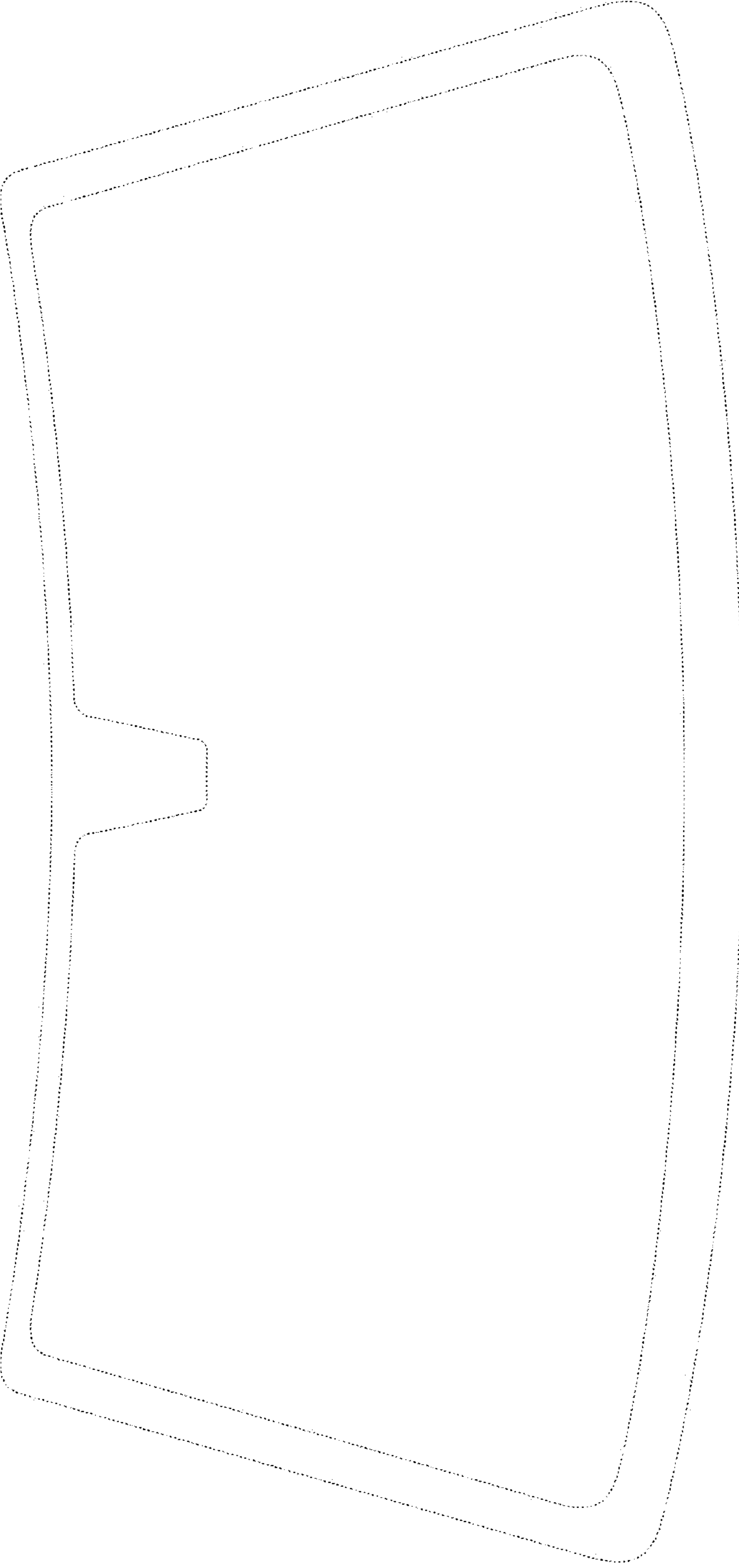


FIG. 2



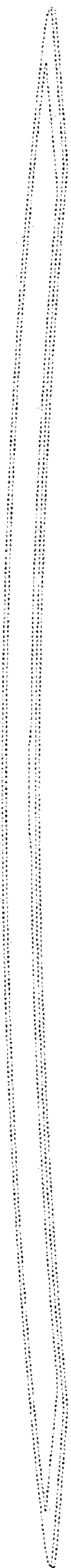


FIG. 3



FIG. 4

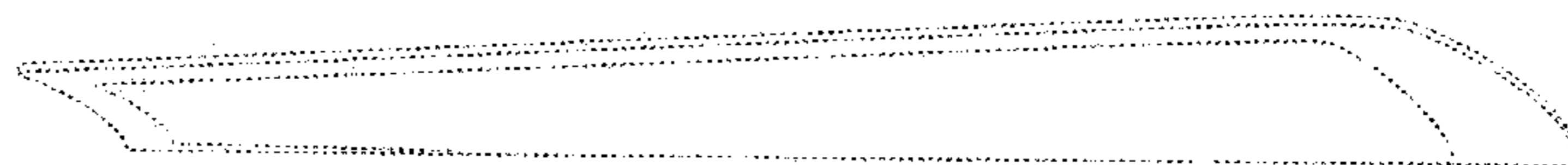


FIG. 5

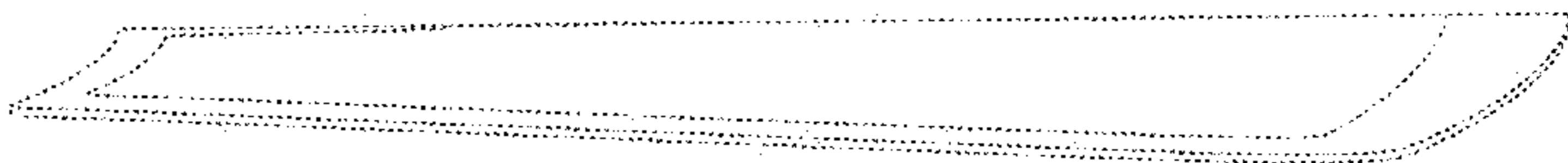


FIG. 6

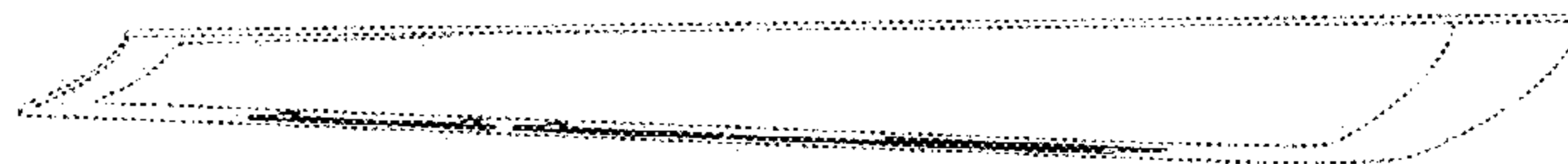


FIG. 7

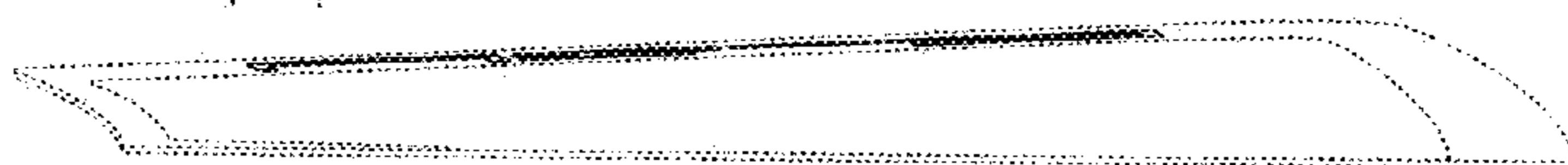


FIG. 8