



US00D747296S

(12) **United States Design Patent**
Wise et al.

(10) **Patent No.:** **US D747,296 S**
(45) **Date of Patent:** **** Jan. 12, 2016**

(54) **MICROPHONE**

(71) Applicant: **GIBSON BRANDS, INC.**, Nashville, TN (US)

(72) Inventors: **Bernard Wise**, Agoura, CA (US);
Martins Saulespurens, Thousand Oaks, CA (US); **Martin Wolf**, Valencia, CA (US)

(73) Assignee: **Gibson Brands, Inc.**, Nashville, TN (US)

(**) Term: **14 Years**

(21) Appl. No.: **29/513,180**

(22) Filed: **Dec. 29, 2014**

(51) **LOC (10) Cl.** **14-01**

(52) **U.S. Cl.**
USPC **D14/227**

(58) **Field of Classification Search**
USPC D14/225, 226, 227, 228, 229, 214, 215, D14/216; D6/708.21; D9/560; D26/93; 362/410, 412, 414; 181/242, 156, 144, 181/150, 192; 381/355, 369, 361, 91
CPC H04R 1/00; H04R 1/02
See application file for complete search history.

(56) **References Cited**

U.S. PATENT DOCUMENTS

1,639,701	A *	8/1927	Meehan	F21S 6/005	248/158
D77,629	S *	1/1929	Temple	D14/215	
D83,985	S *	4/1931	McClintock	D14/227	
D105,226	S *	7/1937	Moore	D14/226	
D107,785	S *	1/1938	Moore	D14/225	
2,188,150	A *	1/1940	Malat	H04M 1/15	248/185.1
D132,180	S *	4/1942	Ireys	D9/560	
D135,320	S *	3/1943	Dann	381/363	
2,623,957	A *	12/1952	Cragg	H04M 1/11	181/242
2,848,561	A *	8/1958	Gorike	H04R 1/222	

3,007,014	A *	10/1961	Bentman	H04R 1/08	181/158
D198,850	S *	8/1964	Kategianis	D14/227	248/161
3,265,153	A *	8/1966	Burroughs	H04R 1/08	181/158
D222,072	S *	9/1971	Levitt	D14/211	
3,895,188	A *	7/1975	Ingraham	G10K 11/088	367/104
D243,986	S *	4/1977	O'Leary, Jr.	D6/708.2	
D254,251	S *	2/1980	Ward	D14/211	
D260,882	S *	9/1981	McCain	D14/225	
4,361,737	A *	11/1982	Peterson	H04R 1/04	200/18
D403,823	S *	1/1999	Thomsen	D34/6	
D432,427	S *	10/2000	Shanahan	D9/544	

(Continued)

Primary Examiner — Paula Greene

(74) *Attorney, Agent, or Firm* — Bates & Bates, LLC

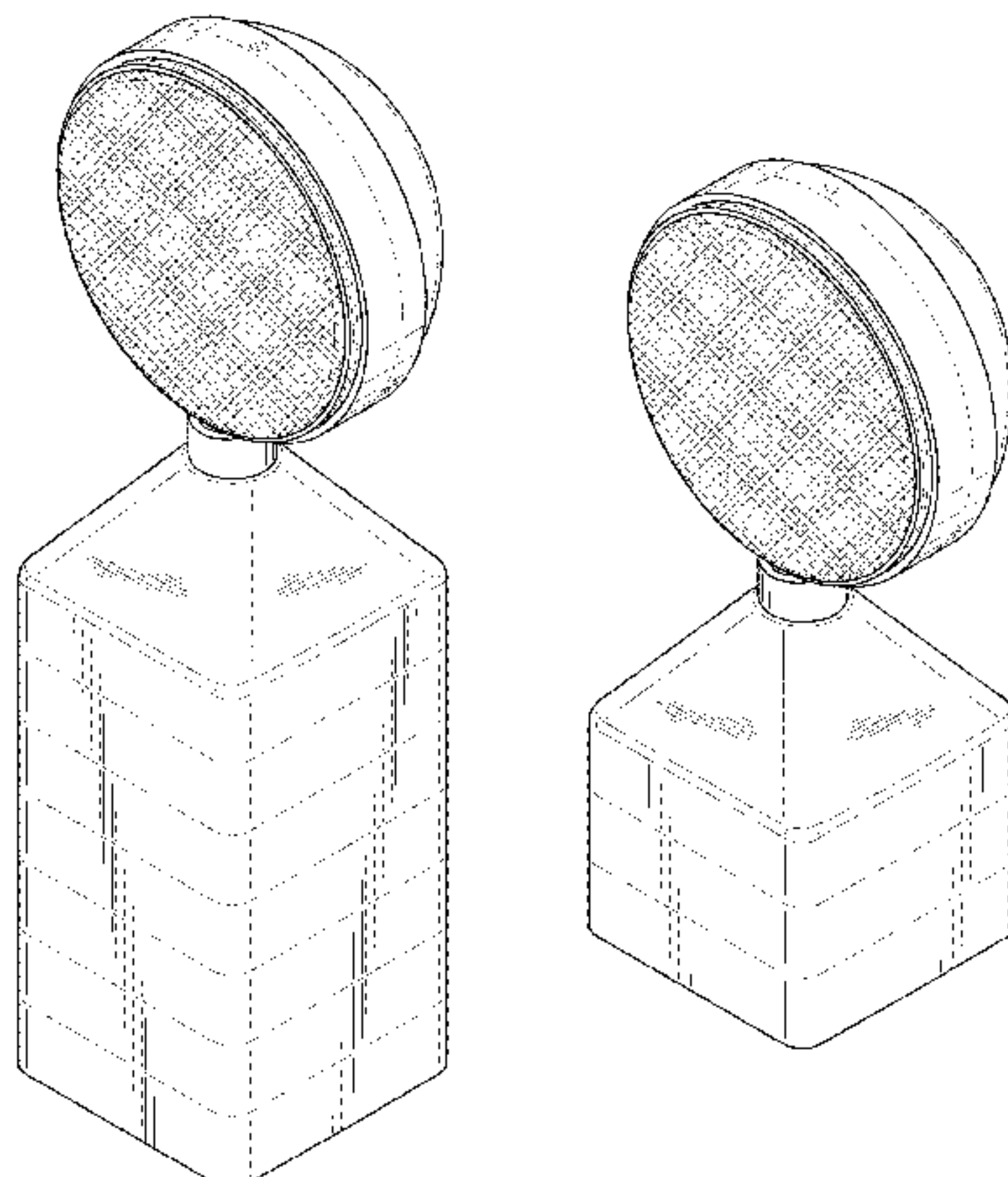
(57) **CLAIM**

What is claimed is the ornamental design for a microphone, as shown and described.

DESCRIPTION

FIG. 1 is a perspective view of an embodiment of the microphone;
 FIG. 2 is a front view of an embodiment of the microphone;
 FIG. 3 is a back view of an embodiment of the microphone;
 FIG. 4 is a left side view of an embodiment of the microphone;
 FIG. 5 is a right side view of an embodiment of the microphone;
 FIG. 6 is a top view of an embodiment of the microphone;
 FIG. 7 is a bottom view of an embodiment of the microphone;
 FIG. 8 is a contextual perspective view of an embodiment of the microphone showing a mouth piece cover;
 FIG. 9 is a perspective view of an alternative embodiment of the microphone; and,
 FIG. 10 is a contextual perspective view of an alternative embodiment of the microphone showing a mouthpiece cover. The broken lines form no part of the claimed design.

1 Claim, 10 Drawing Sheets



(56)

References Cited

U.S. PATENT DOCUMENTS

D468,477 S * 1/2003 Landefeld D26/104
D471,888 S * 3/2003 Solland D14/204
D504,126 S * 4/2005 Saulespurens D14/228
D524,799 S * 7/2006 Hibi D14/216
D535,645 S * 1/2007 Probst D14/225
D551,661 S * 9/2007 Probst D14/225

D558,584 S * 1/2008 Blank D9/560
D563,396 S * 3/2008 Probst D14/228
D583,806 S * 12/2008 Okazaki D14/225
D591,267 S * 4/2009 Files D12/114
D593,547 S * 6/2009 Kim D14/223
D645,846 S * 9/2011 Mordechai D14/216
2014/0064543 A1 * 3/2014 Zukowski H04R 1/086
381/360

* cited by examiner

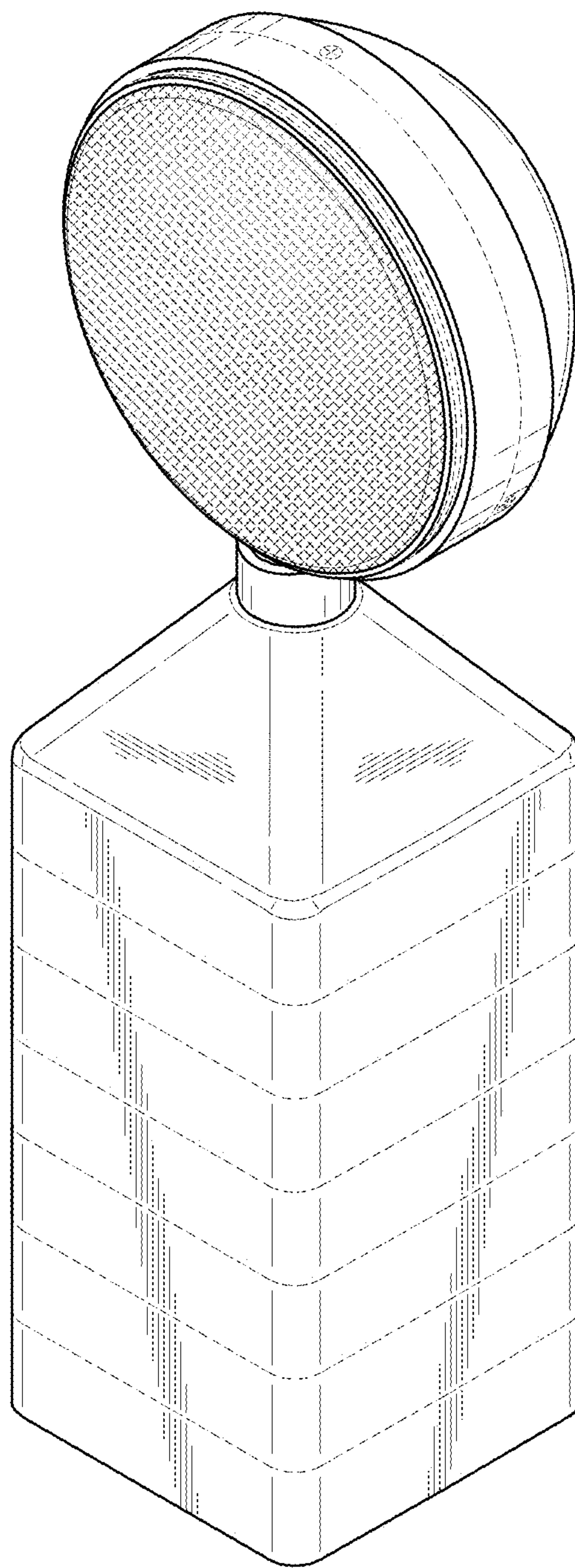


FIG. 1

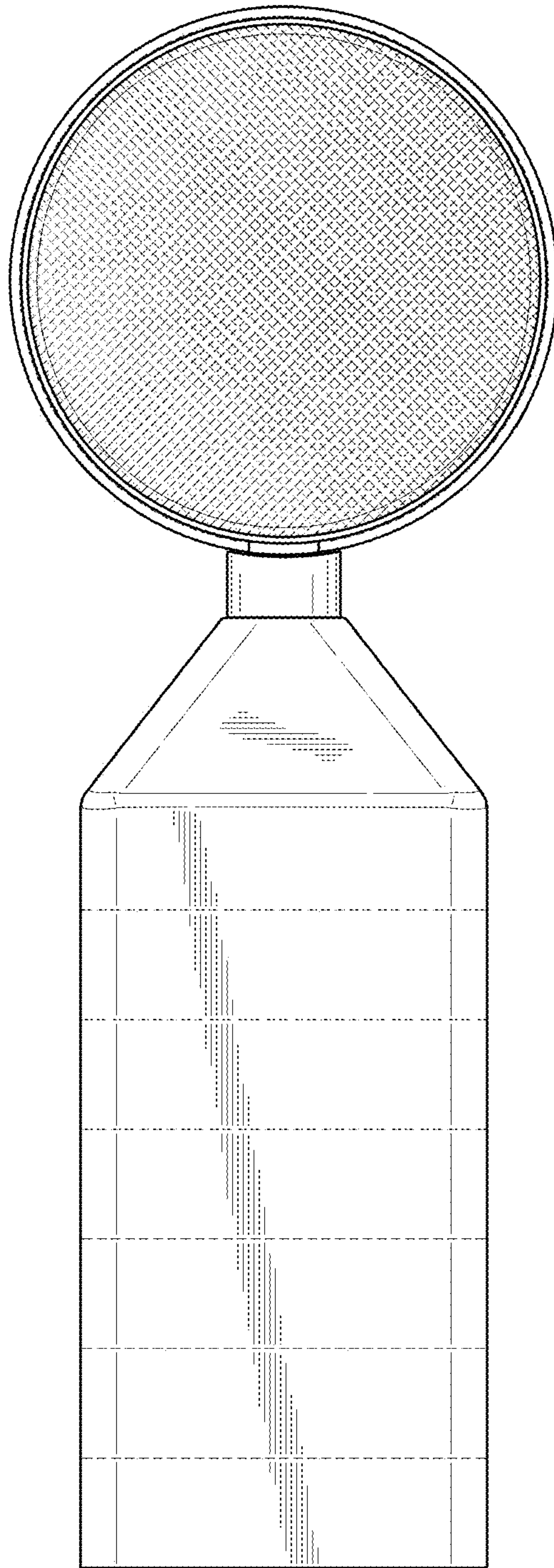


FIG. 2

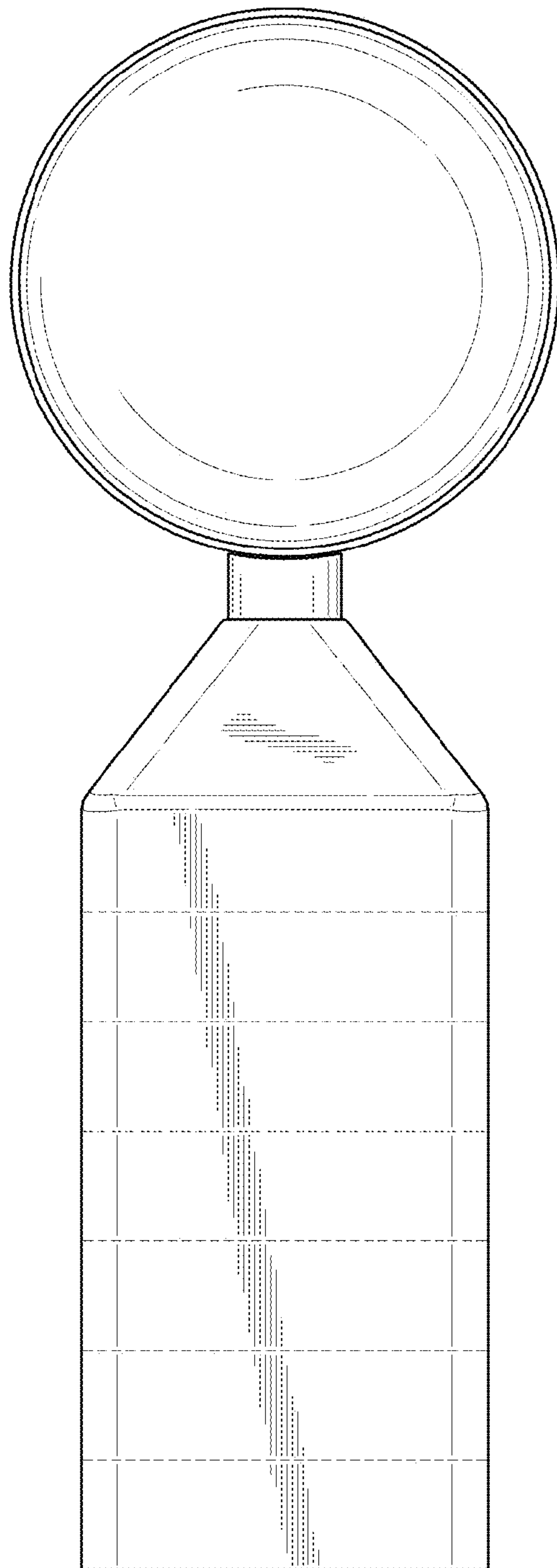


FIG. 3

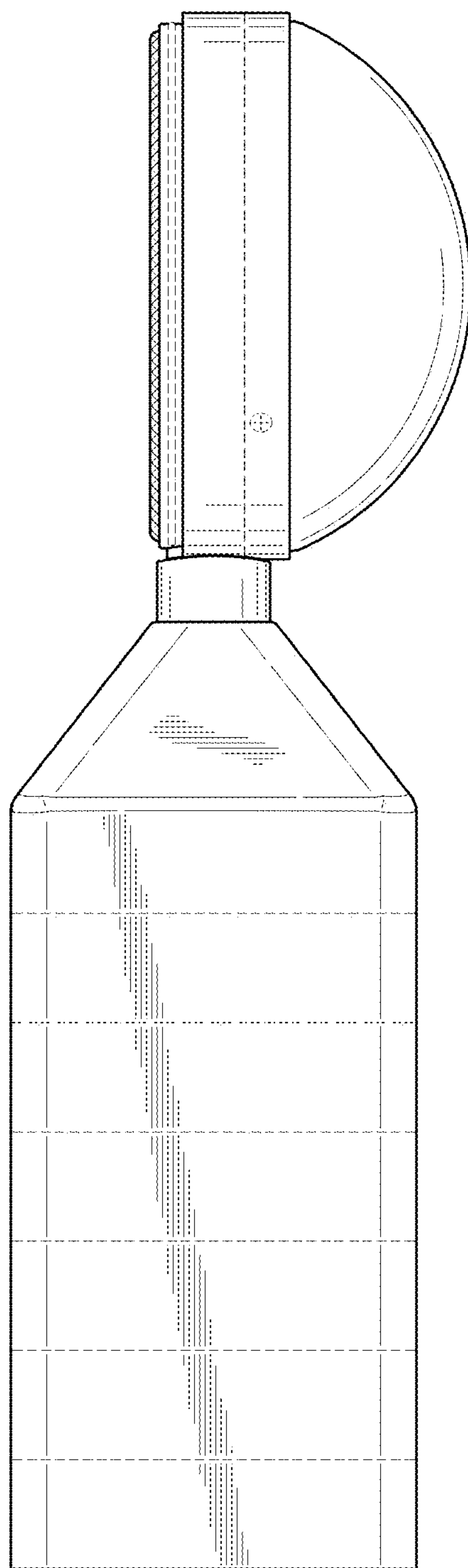


FIG. 4

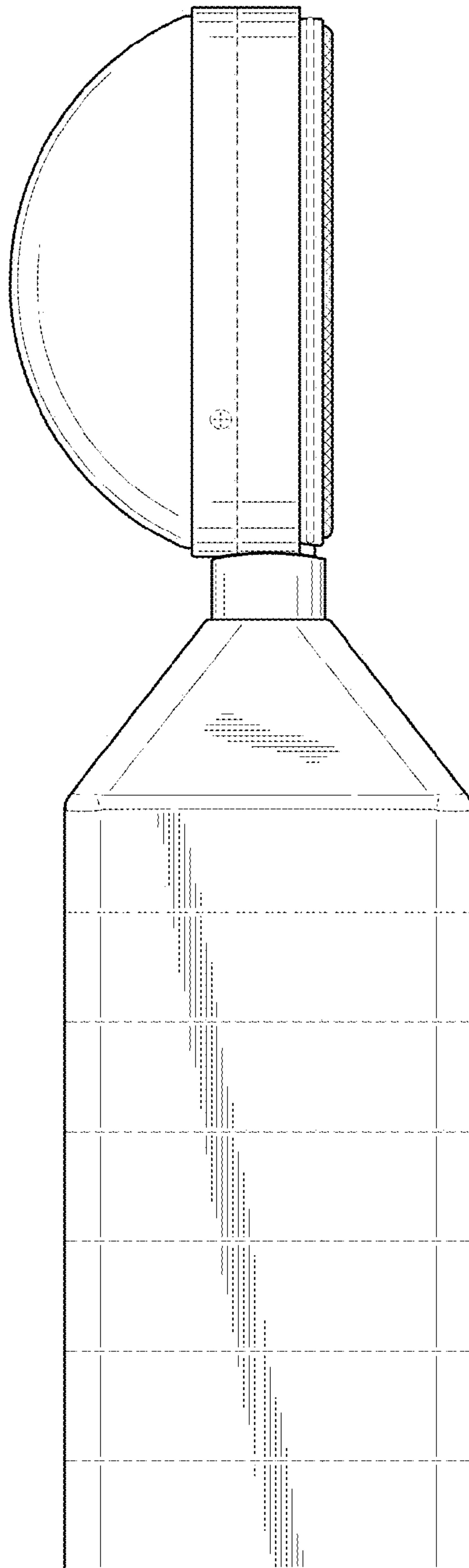


FIG. 5

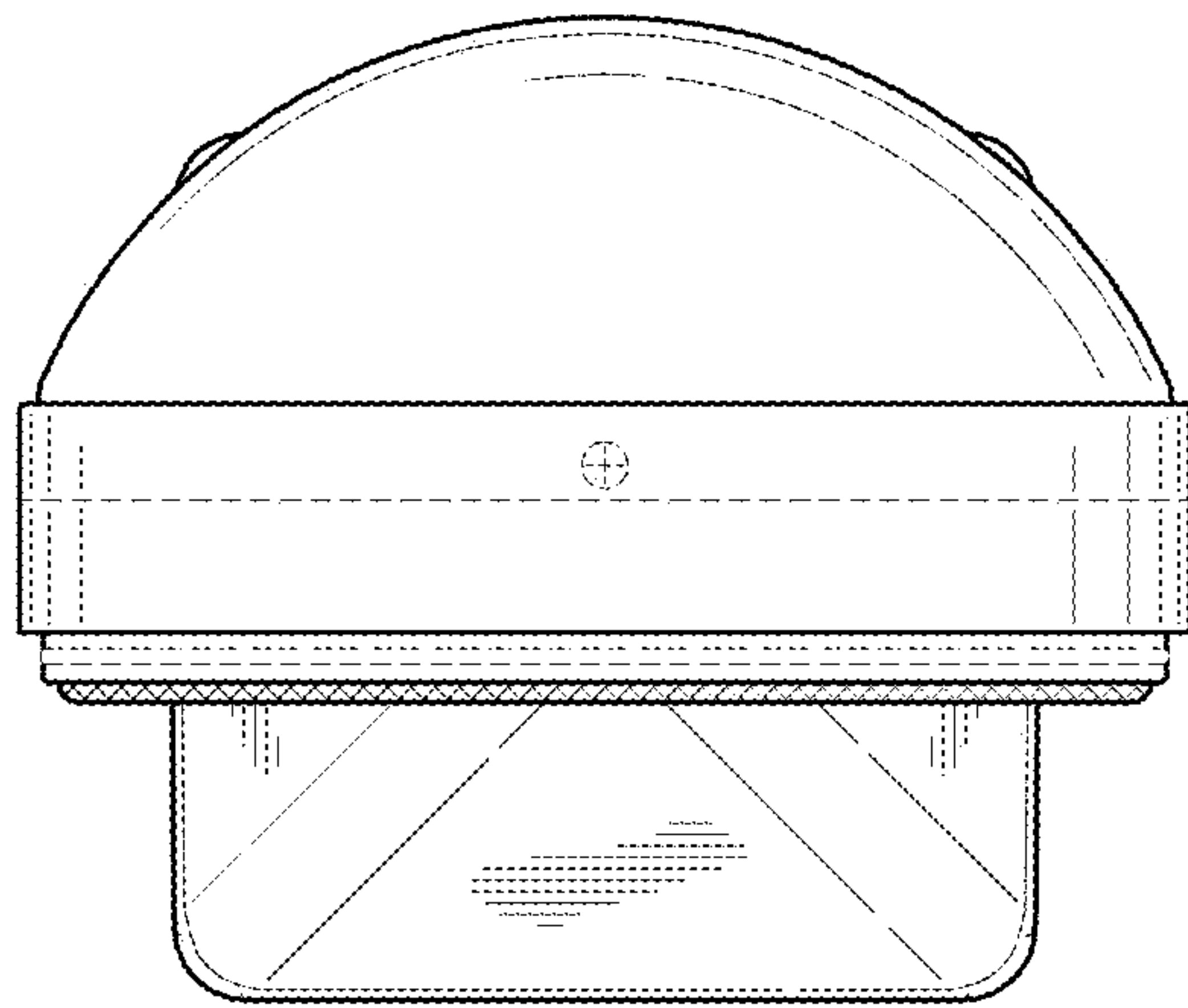


FIG. 6

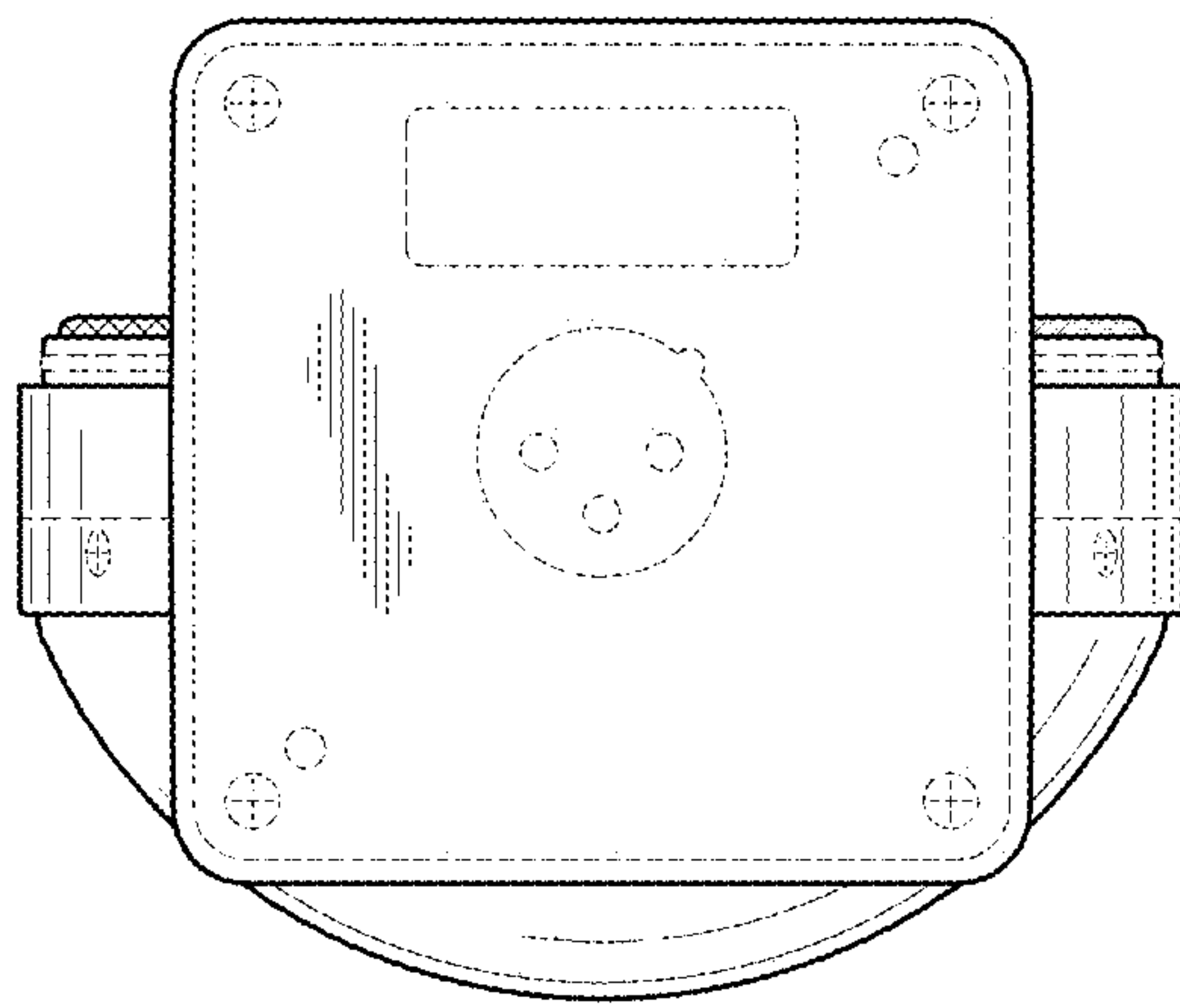


FIG. 7

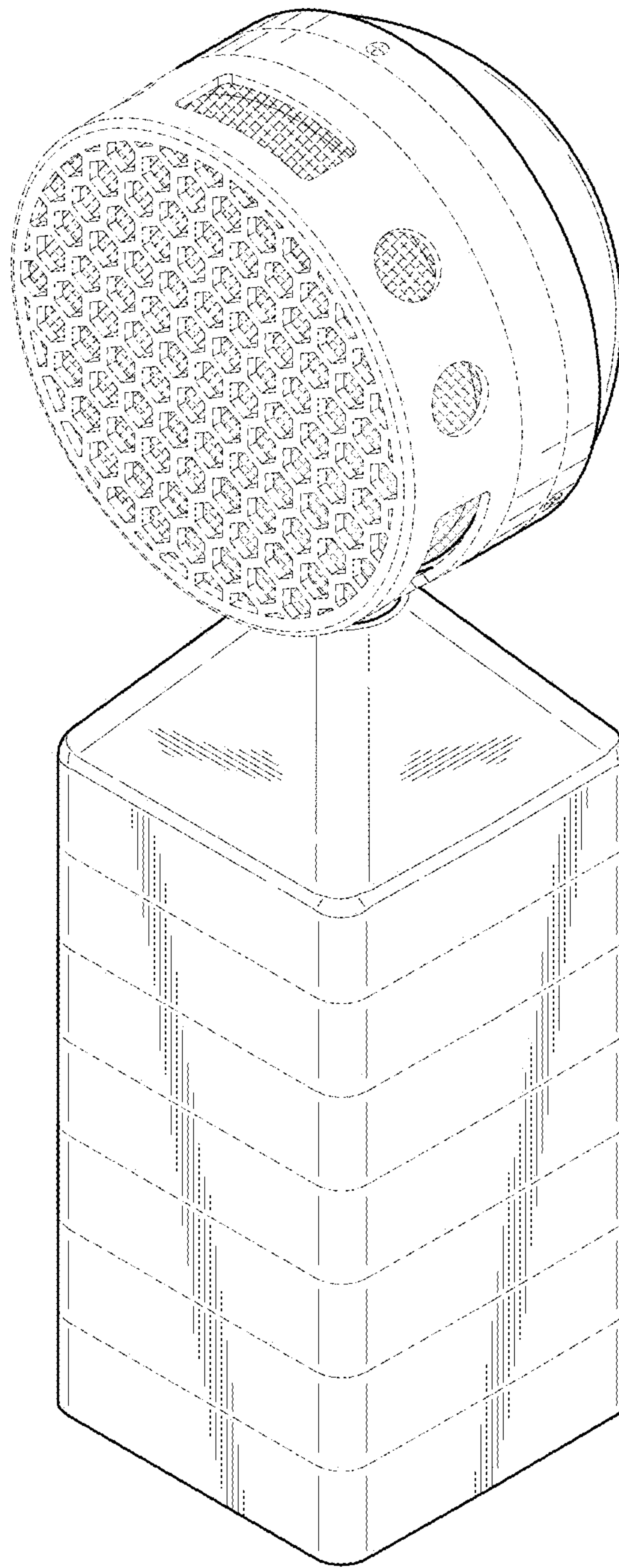


FIG. 8

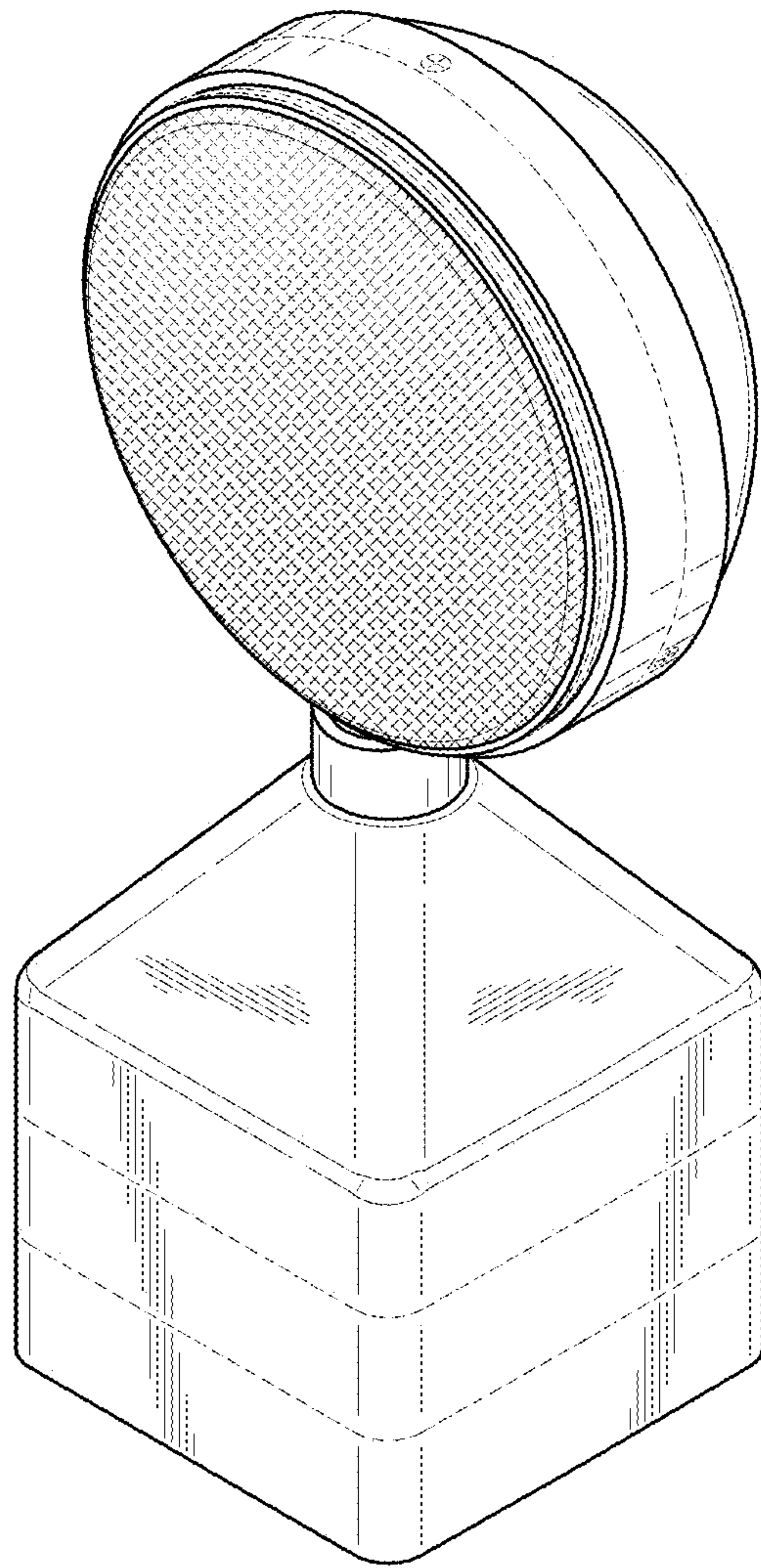


FIG. 9

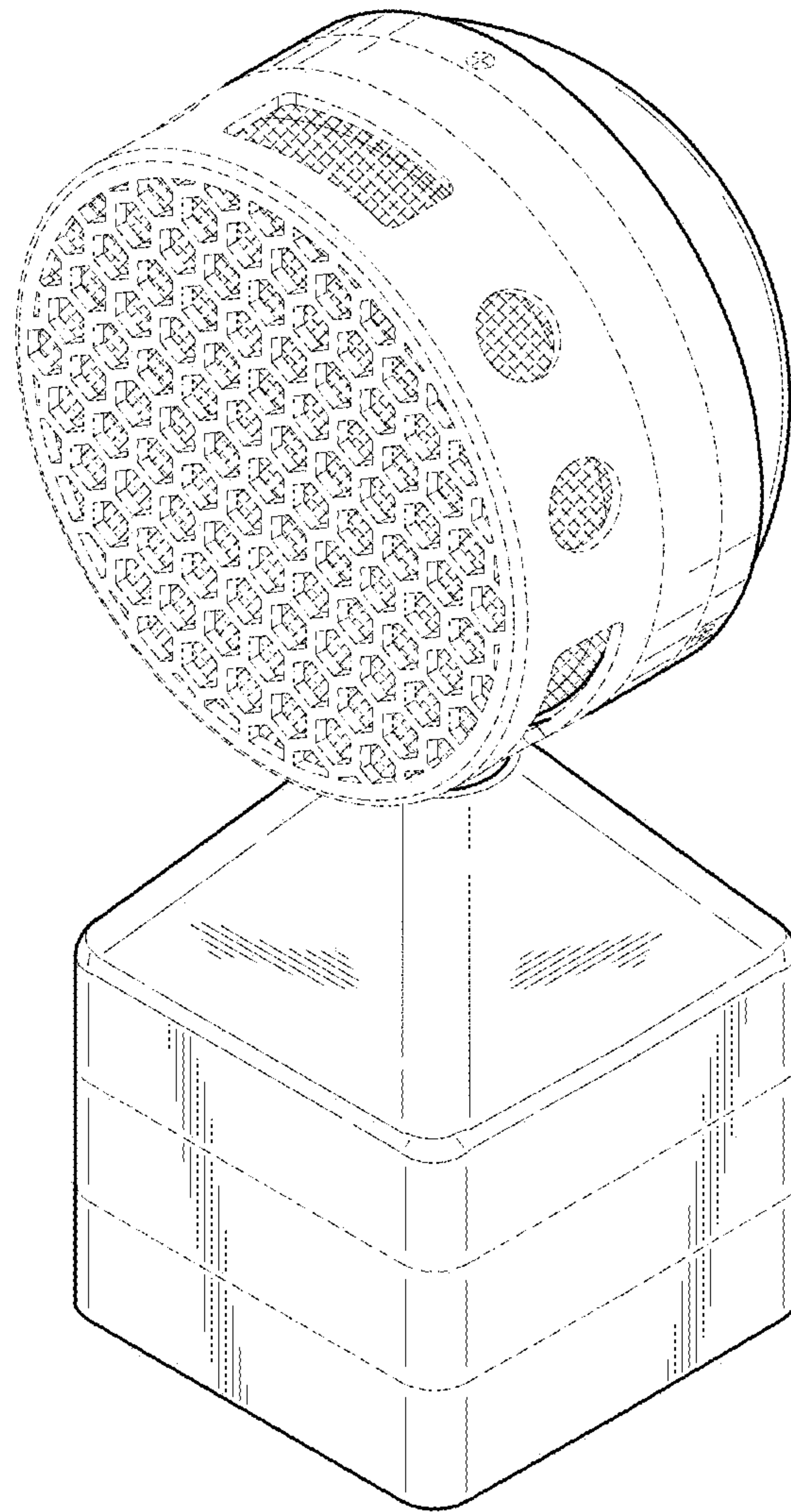


FIG. 10