



US00D747294S

(12) **United States Design Patent**
Janezic

(10) **Patent No.:** **US D747,294 S**
(45) **Date of Patent:** **** Jan. 12, 2016**

(54) **MODIFIED DRUM TRANSPONDER**

(71) Applicant: **Brian Janezic**, Tucson, AZ (US)

(72) Inventor: **Brian Janezic**, Tucson, AZ (US)

(**) Term: **14 Years**

(21) Appl. No.: **29/506,303**

(22) Filed: **Oct. 14, 2014**

(51) **LOC (10) Cl.** **14-01**

(52) **U.S. Cl.**
USPC **D14/222**

(58) **Field of Classification Search**
USPC D14/300–302, 314, 348–370, 383–385,
D14/435, 496, 125, 135, 155, 240–242, 299,
D14/222; D9/440; D10/65, 75, 78, 70;
D13/103, 119, 162, 184, 199
CPC B67D 1/0835; C12C 13/10; G01F 23/38;
G11B 33/027; G11B 33/122; G11B 33/124;
G11B 33/022; G11B 33/025
See application file for complete search history.

(56) **References Cited**

U.S. PATENT DOCUMENTS

D239,539 S *	4/1976	Wagner	D14/222
D282,163 S *	1/1986	Seebinger	D14/222
D409,202 S *	5/1999	Sone	D14/222
D438,195 S *	2/2001	Chao et al.	D14/222
D440,222 S *	4/2001	Goto	D14/222
6,318,473 B1 *	11/2001	Bartley et al.	169/26
2005/0247371 A1 *	11/2005	Chadbourne et al.	141/351

2007/0102639 A1 *	5/2007	Cutler et al.	250/339.13
2007/0116649 A1 *	5/2007	Charan et al.	424/45
2010/0083556 A1 *	4/2010	Wright et al.	43/1
2012/0210782 A1 *	8/2012	Downs et al.	73/317
2012/0318381 A1 *	12/2012	Arensmeier	137/395
2013/0130369 A1 *	5/2013	Wilson et al.	435/289.1
2014/0236093 A1 *	8/2014	Eggert et al.	604/191
2014/0297204 A1 *	10/2014	Biesak et al.	702/56
2014/0330206 A1 *	11/2014	Moore	604/152
2015/0203800 A1 *	7/2015	Hansmann	99/276
2015/0211913 A1 *	7/2015	Murphy	702/55

* cited by examiner

Primary Examiner — Karen E Kearney

Assistant Examiner — Nathaniel D Buckner

(74) *Attorney, Agent, or Firm* — Dale F. Regelman; Quarles & Brady LLP

(57) **CLAIM**

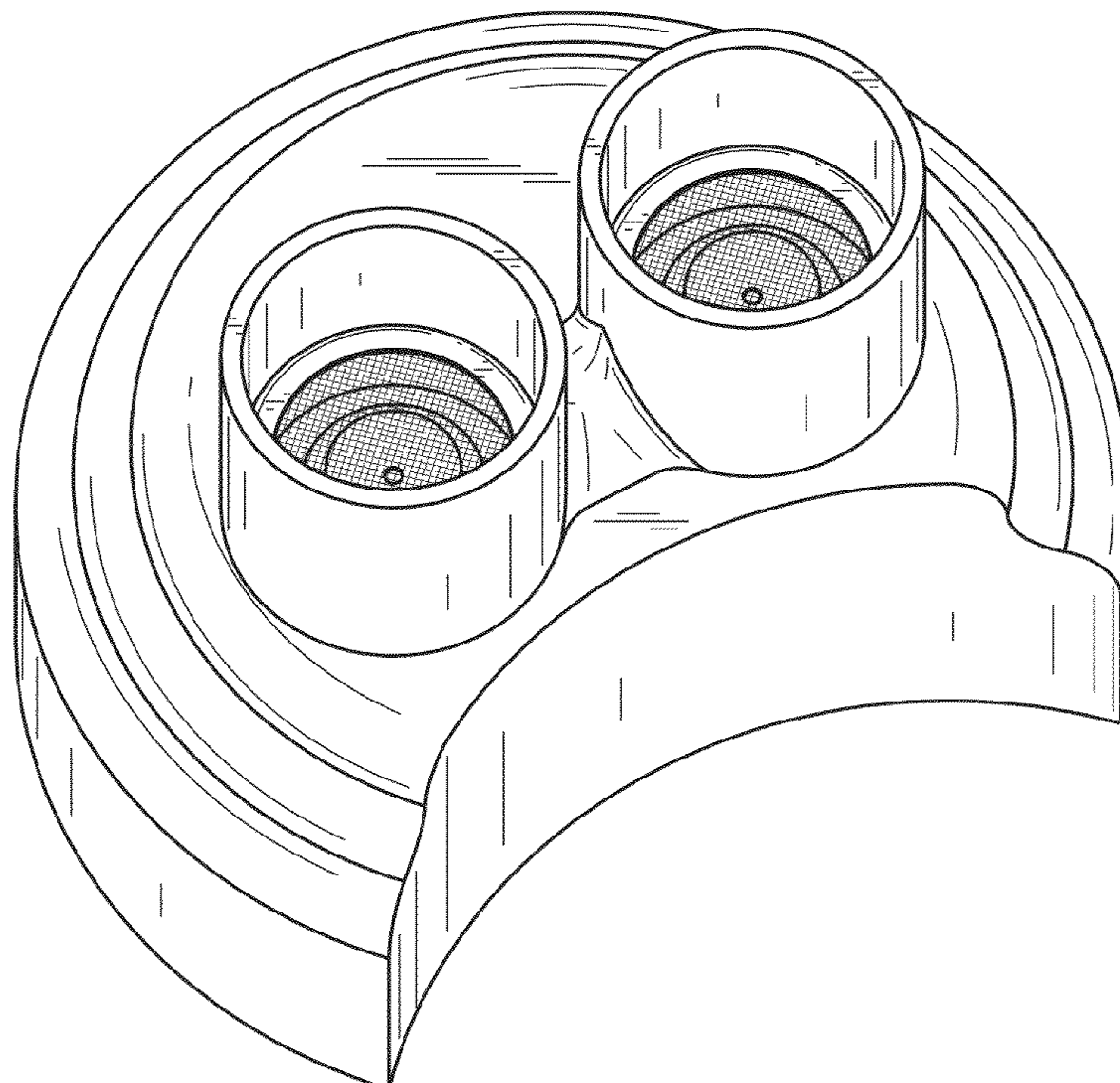
The ornamental design for a modified drum transponder, as shown and described.

DESCRIPTION

FIG. 1 is a perspective view of the design of this invention; FIG. 2 is a second perspective view; FIG. 3 is a front side view; FIG. 4 is a rear side view; FIG. 5 is a first side view; FIG. 6 is a second side view; FIG. 7 is a top view; and, FIG. 8 is a bottom view.

In the drawings, the broken lines showing an electrical cable illustrate environment and form no part of the claimed design.

1 Claim, 4 Drawing Sheets



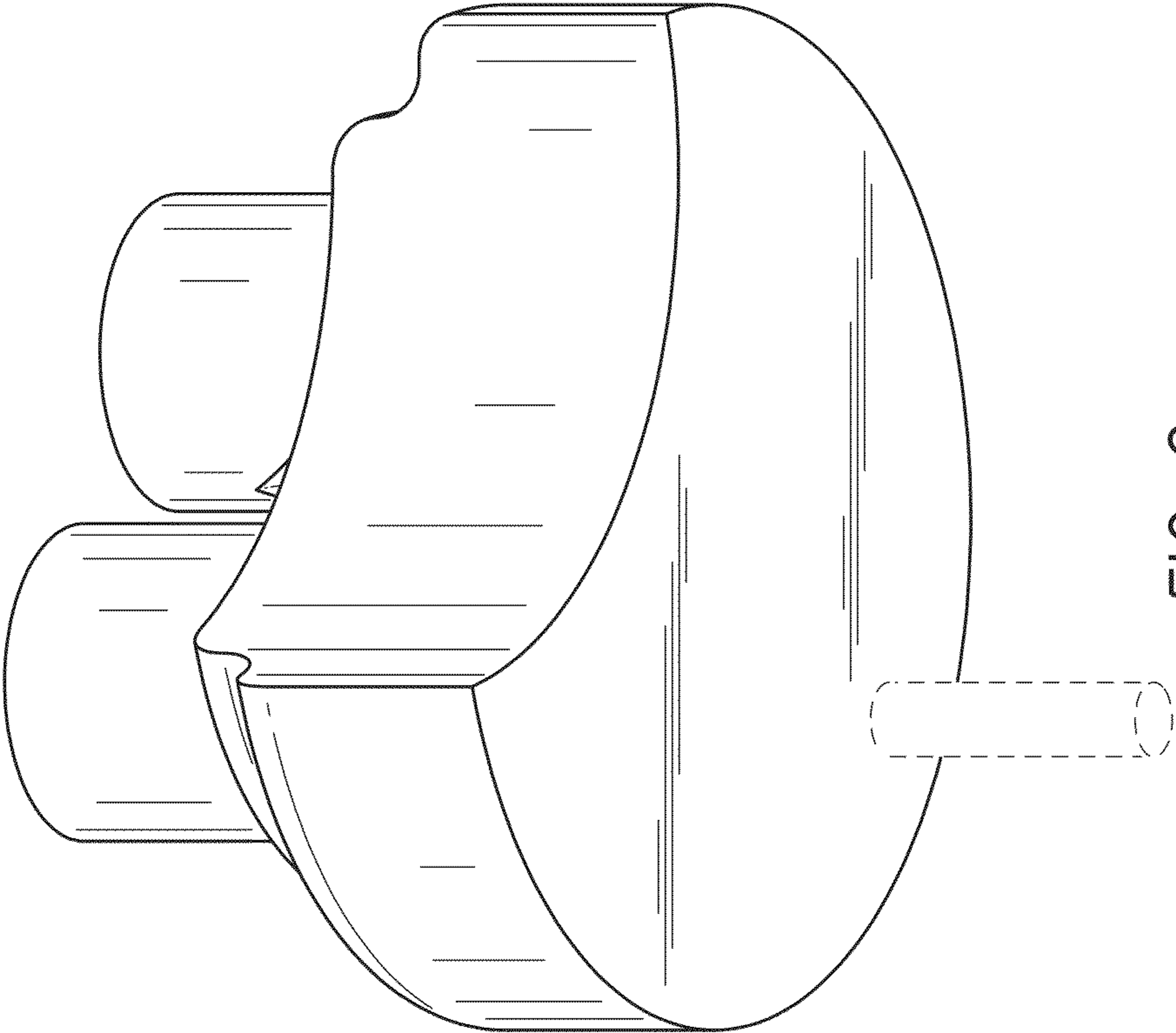


FIG. 2

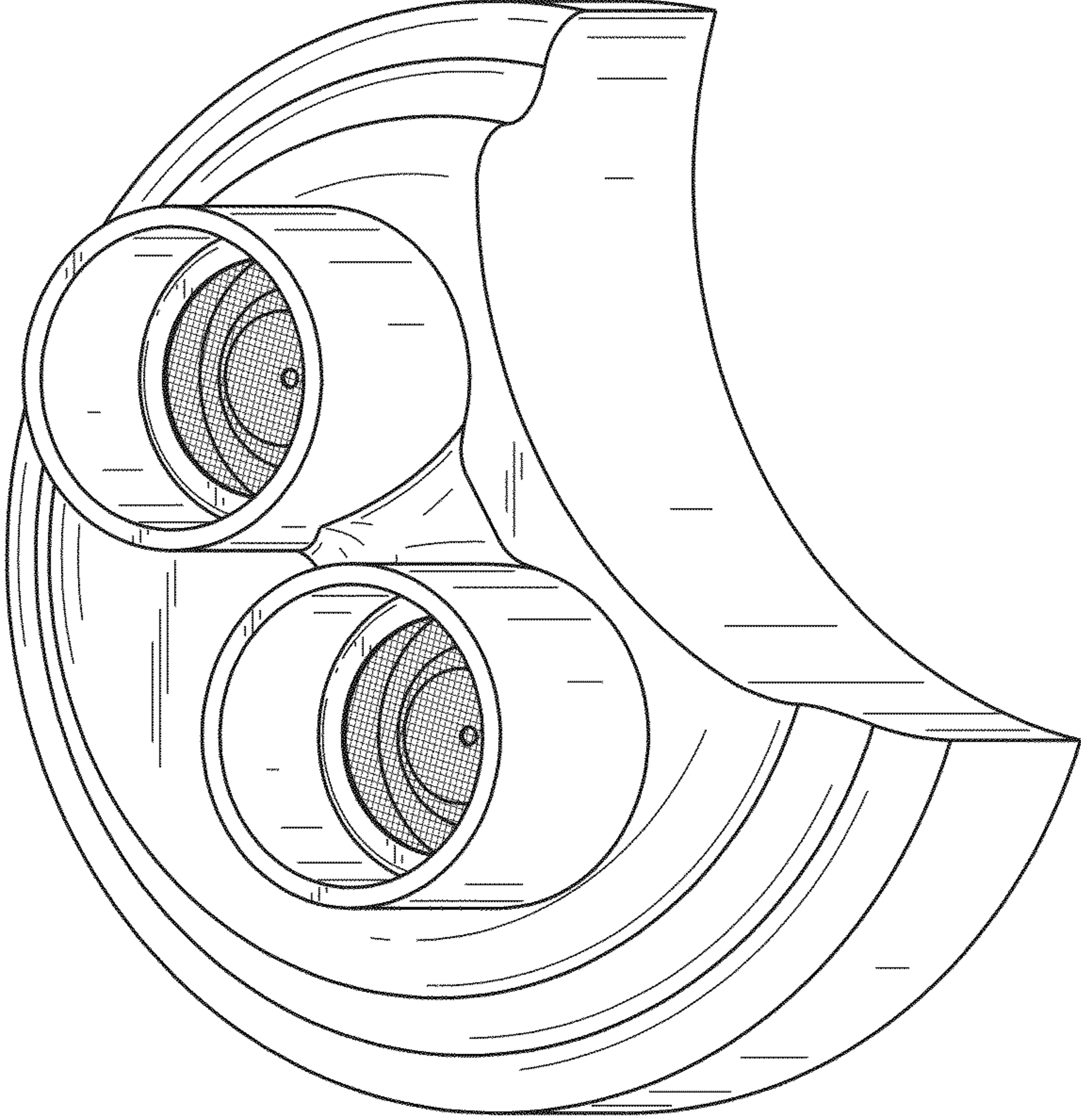


FIG. 1

FIG. 3

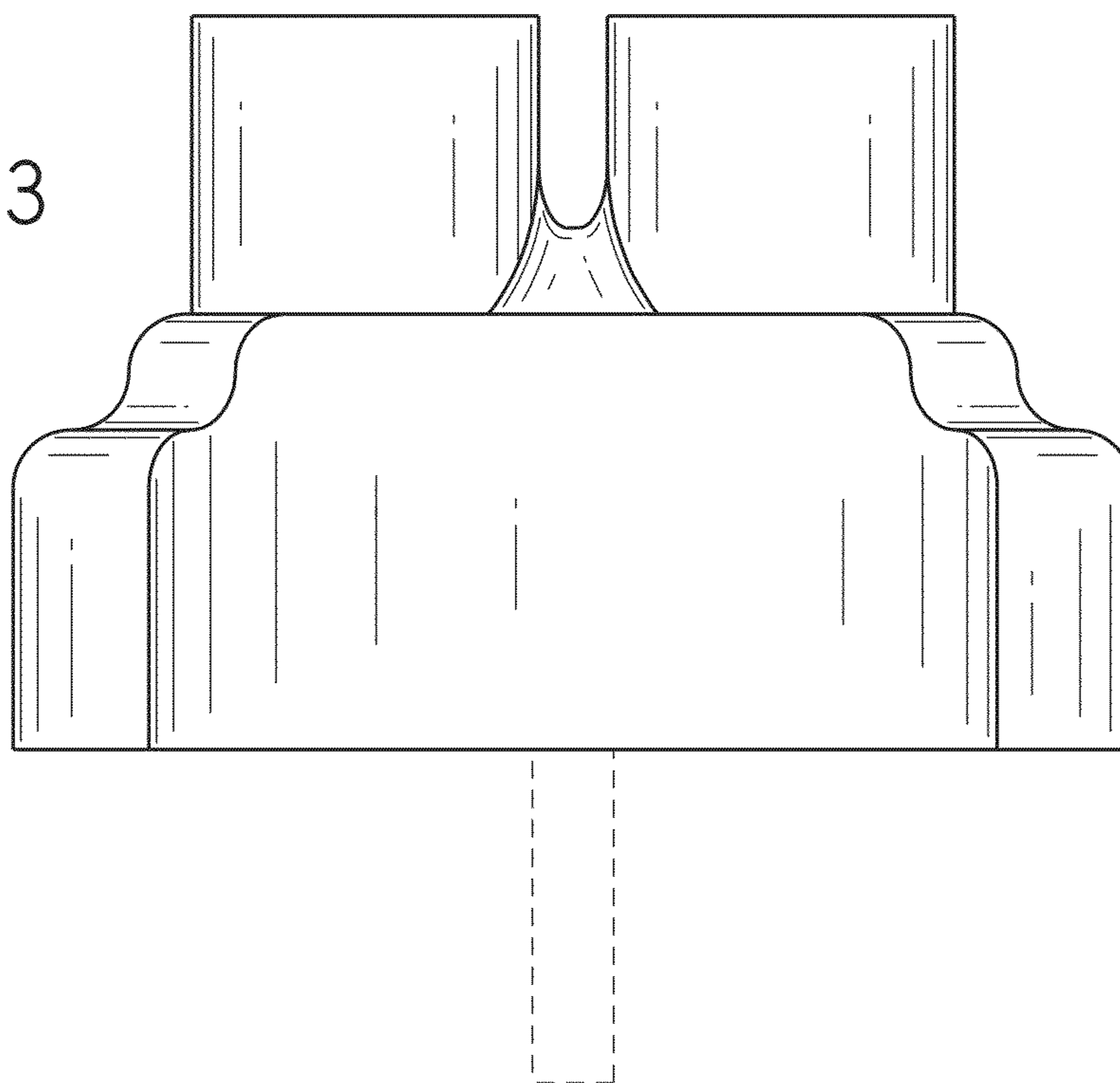


FIG. 4

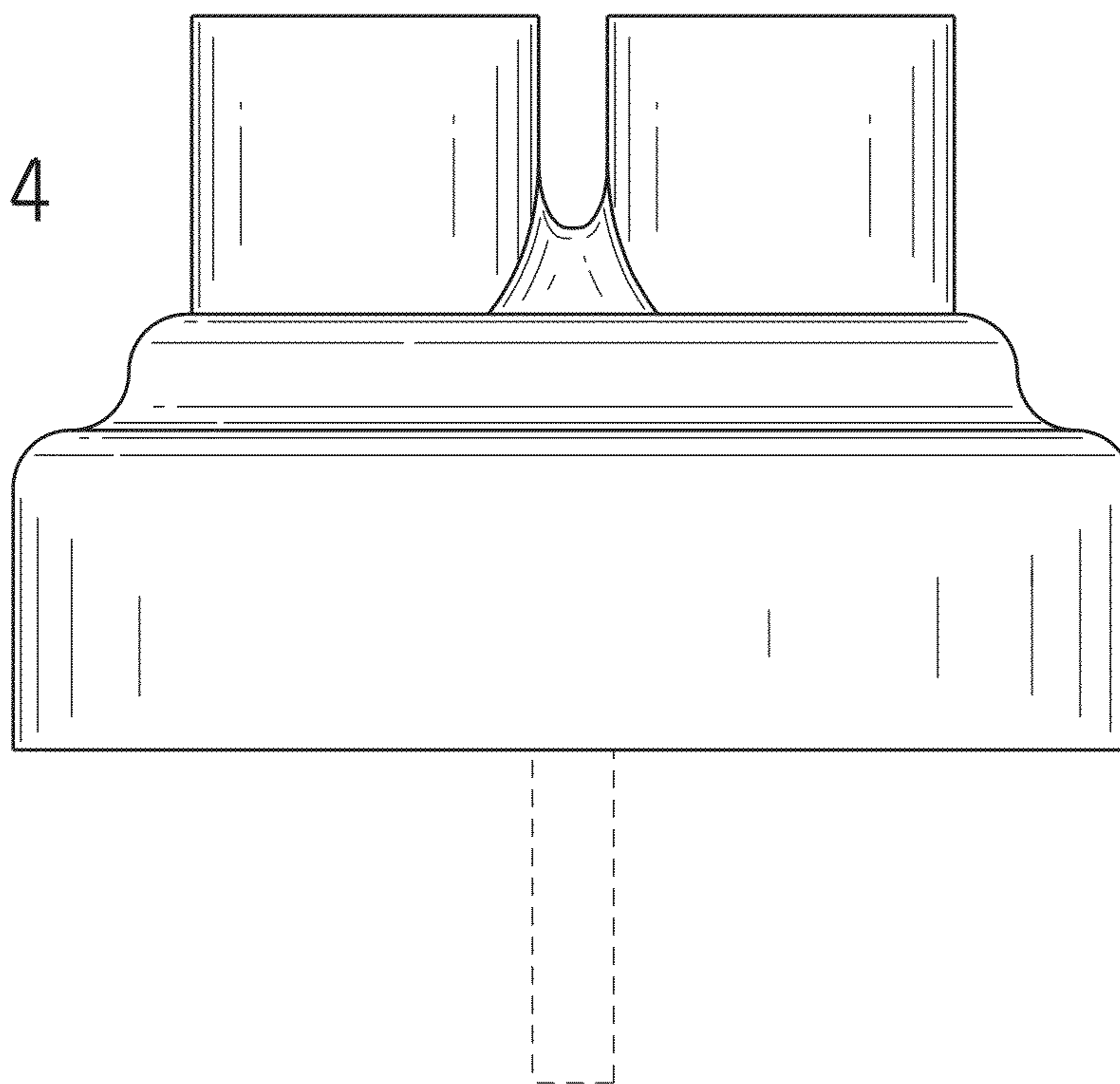


FIG. 5

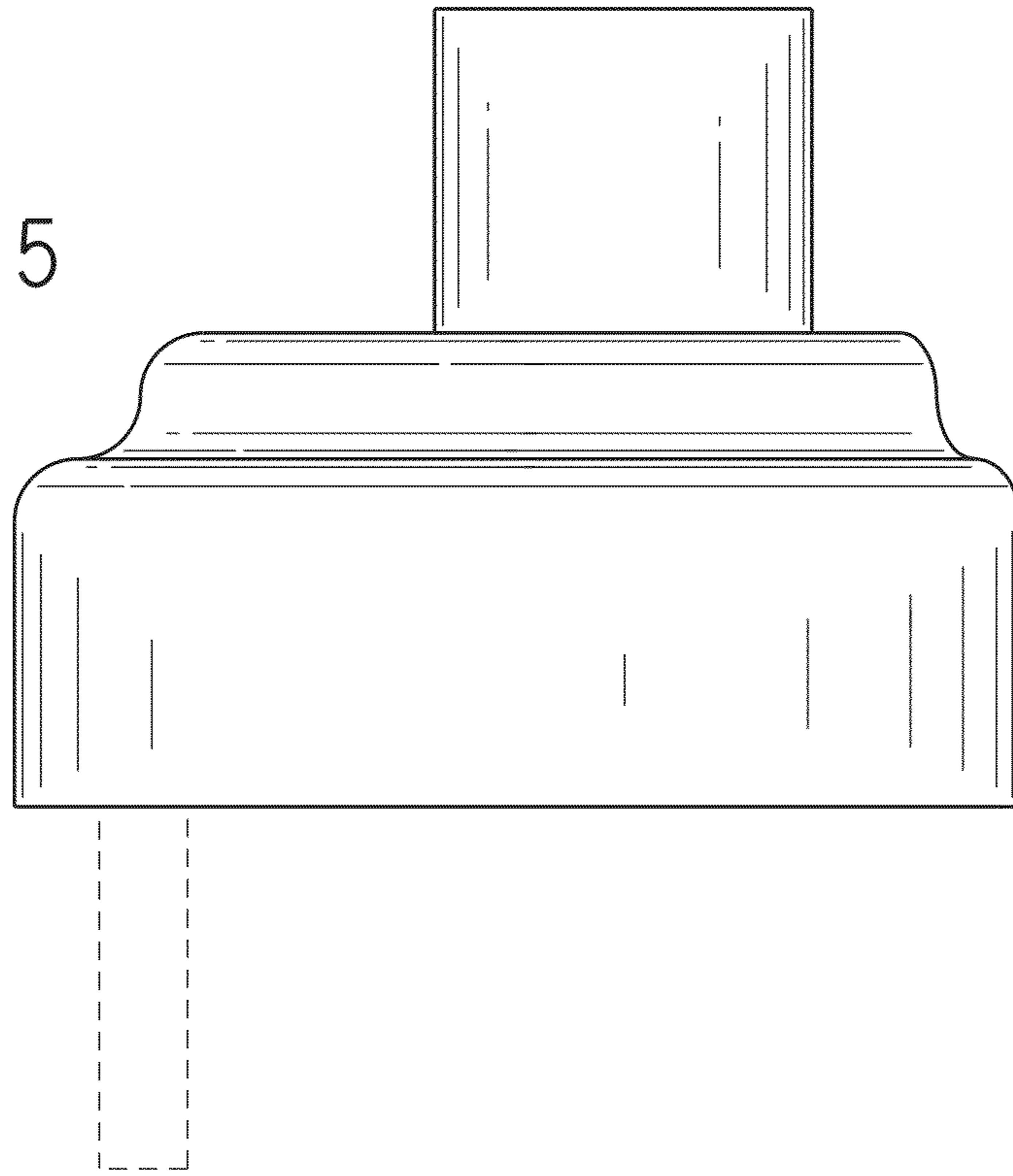


FIG. 6

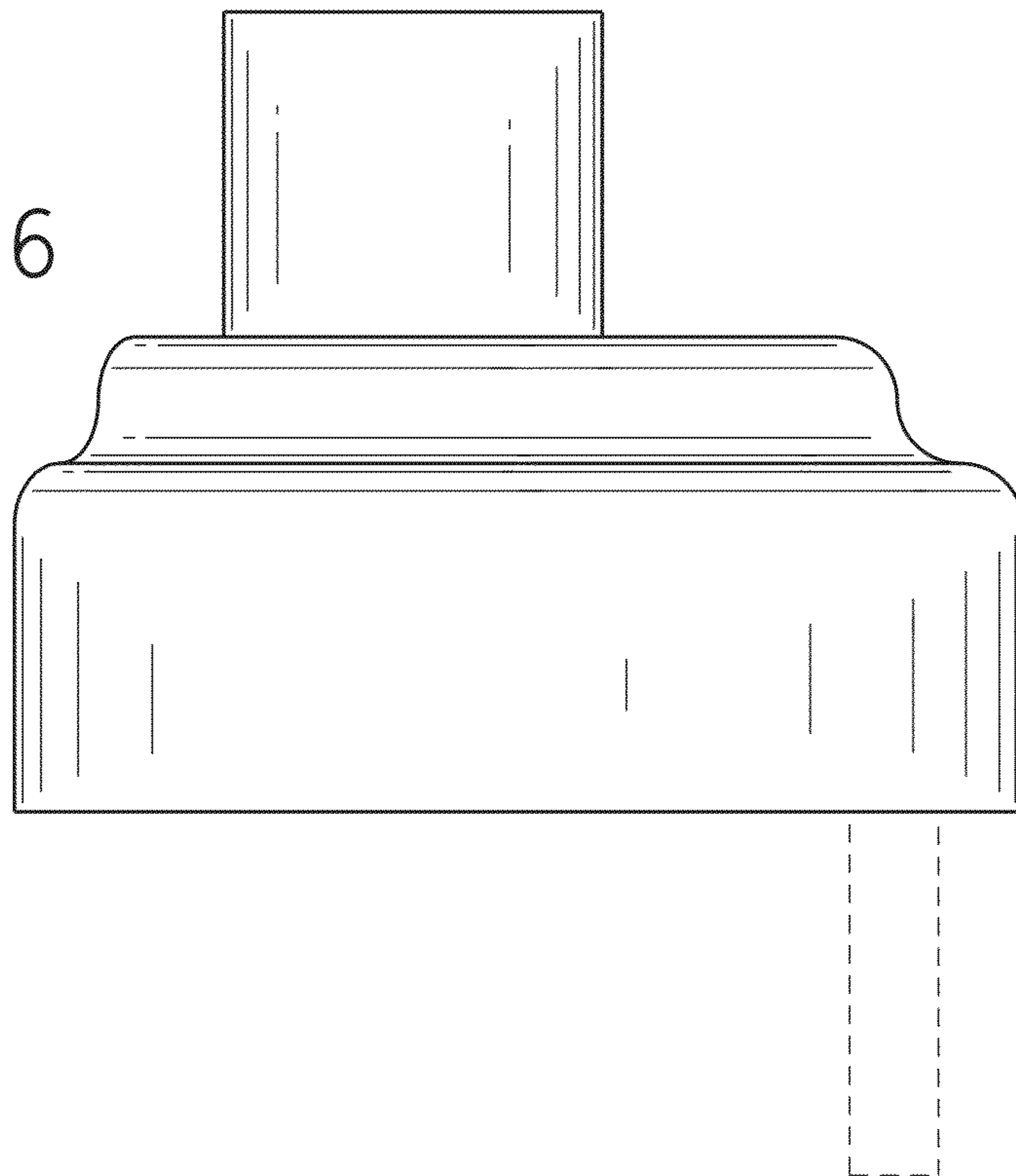


FIG. 7

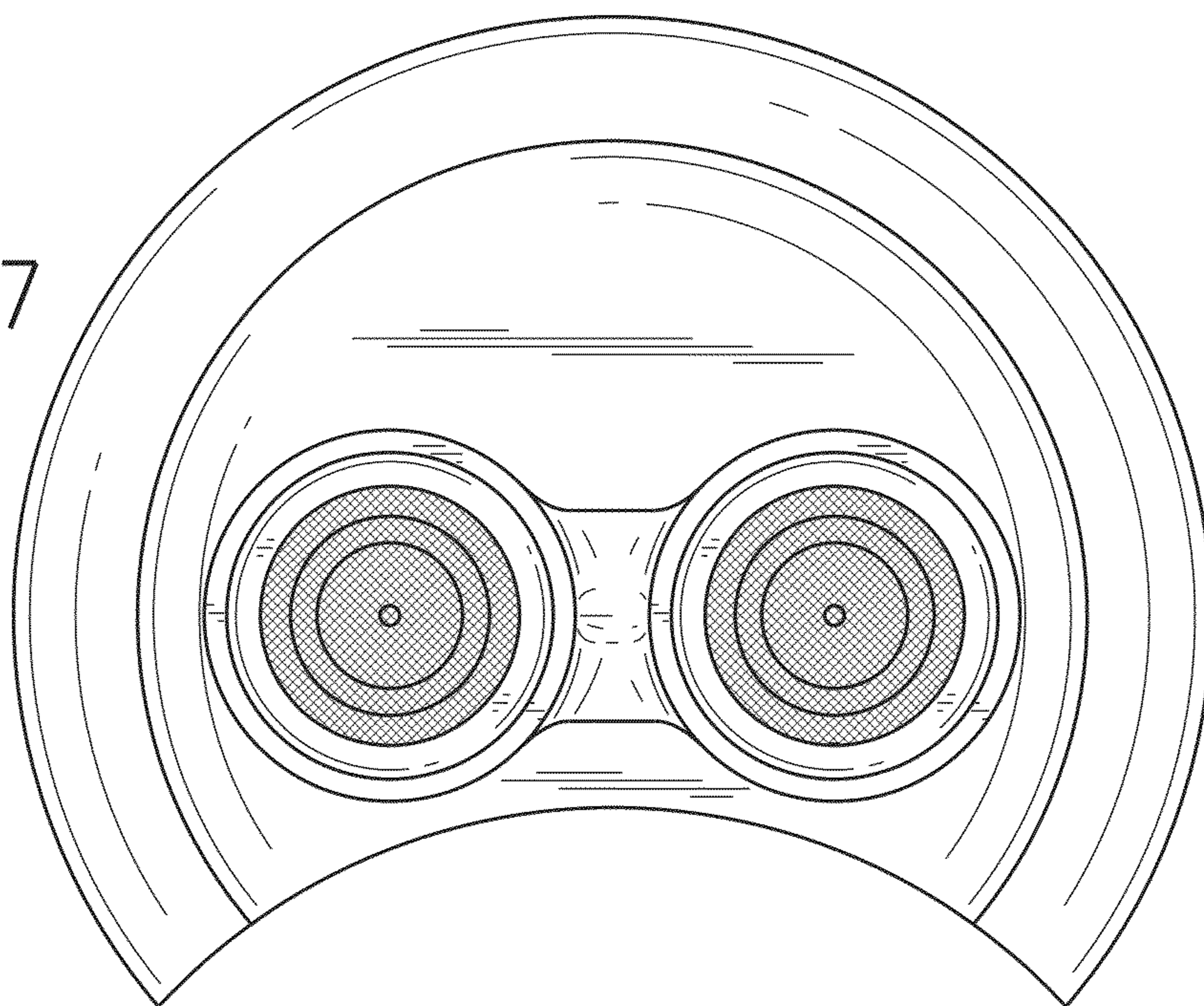


FIG. 8

